



US00D895181S

(12) **United States Design Patent** (10) **Patent No.:** **US D895,181 S**  
**Jeong et al.** (45) **Date of Patent:** **\*\* Sep. 1, 2020**

(54) **REAR COMBINATION LAMP FOR AN AUTOMOBILE**

CPC .. F21S 41/00; F21S 41/20; F21S 41/30; F21S 43/14; F21S 43/15; F21S 43/20  
See application file for complete search history.

(71) Applicants: **Hyundai Motor Company**, Seoul (KR); **Kia Motors Corporation**, Seoul (KR)

(56) **References Cited**

U.S. PATENT DOCUMENTS

(72) Inventors: **Da Young Jeong**, Seongnam-si (KR); **Jae Min Choi**, Cheongju-si (KR); **Jun Ho Kim**, Uiwang-si (KR); **Yu Ra Cha**, Seoul (KR)

D723,199	S	*	2/2015	Lai	.....	D26/28
D724,243	S	*	3/2015	Lai	.....	D26/28
D744,678	S	*	12/2015	Lai	.....	D26/28
D750,291	S	*	2/2016	Platto	.....	D26/28
D750,292	S	*	2/2016	Platto	.....	D26/28
D764,690	S	*	8/2016	Lai	.....	D26/28
D769,478	S	*	10/2016	Gorsten Schuenemann	..	D26/28
D770,650	S	*	11/2016	Lin	.....	D26/28
D792,618	S	*	7/2017	Wu	.....	D26/28
D794,845	S	*	8/2017	Sriwirat	.....	D26/139
D805,665	S	*	12/2017	Tsai	.....	D26/28
D812,274	S	*	3/2018	Wu	.....	D26/28
D822,239	S	*	7/2018	Lin	.....	D26/28

(Continued)

(73) Assignees: **Hyundai Motor Company**, Seoul (KR); **Kia Motors Corporation**, Seoul (KR)

(\*\*) Term: **15 Years**

OTHER PUBLICATIONS

(21) Appl. No.: **35/507,226**

Screenshot: OEMASSIVE Fit 07-14 Yukon Tahoe Suburban SUV Smoked Clear LED Tail Lights Replacement. Undated; one page. Found online May 18, 2020 at <http://oemassive.com/07-14-yukon-tahoe-suburban-suv-smoke-clear-led-tail-lights-replacement-pair-set/> (Year: 2020).\*

(22) Filed: **Feb. 15, 2019**

(Continued)

(80) **Hague Agreement Data**

Int. Filing Date: **Feb. 15, 2019**  
Int. Reg. No.: **DM/201216**  
Int. Reg. Date: **Feb. 15, 2019**  
Int. Reg. Pub. Date: **Aug. 16, 2019**

*Primary Examiner* — Robert M. Spear  
(74) *Attorney, Agent, or Firm* — Mintz Levin Cohn Ferris Glovsky and Popeo, P.C.; Peter F. Corless; Carolina E. Säve

(30) **Foreign Application Priority Data**

Oct. 15, 2018 (KR) ..... 30-2018-0047288

(57) **CLAIM**

The ornamental design for rear combination lamp for an automobile, as shown and described.

(51) **LOC (12) Cl.** ..... **26-06**

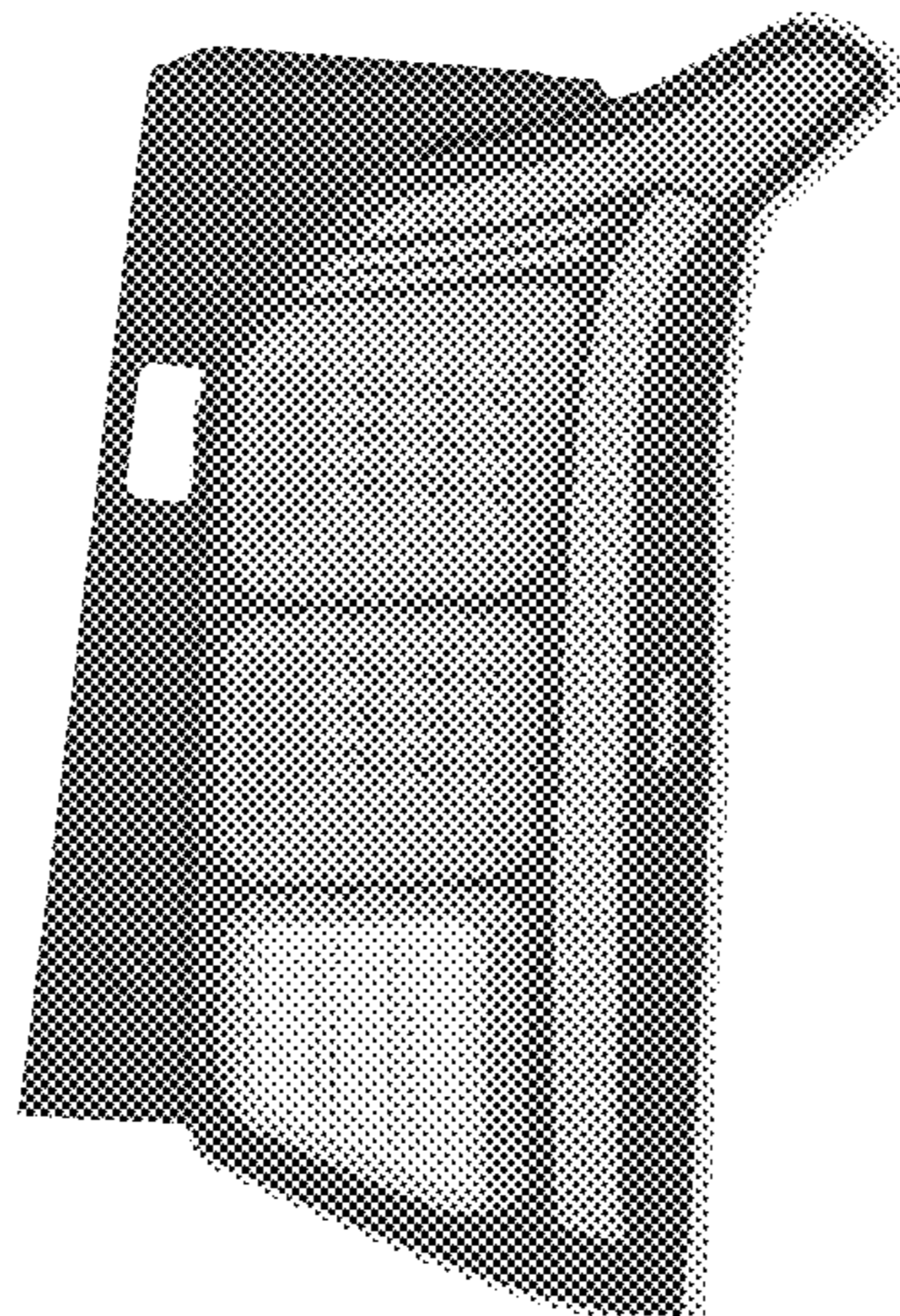
**DESCRIPTION**

(52) **U.S. Cl.**  
USPC ..... **D26/35**

- 1. Rear combination lamp for an automobile
- 1.1 : Perspective
- 1.2 : Front

(58) **Field of Classification Search**  
USPC ..... D12/196; D26/28, 34, 35, 36

(Continued)



- 1.3 : Back
- 1.4 : Left
- 1.5 : Right
- 1.6 : Top
- 1.7 : Bottom

**1 Claim, 7 Drawing Sheets**

(56)

**References Cited**

U.S. PATENT DOCUMENTS

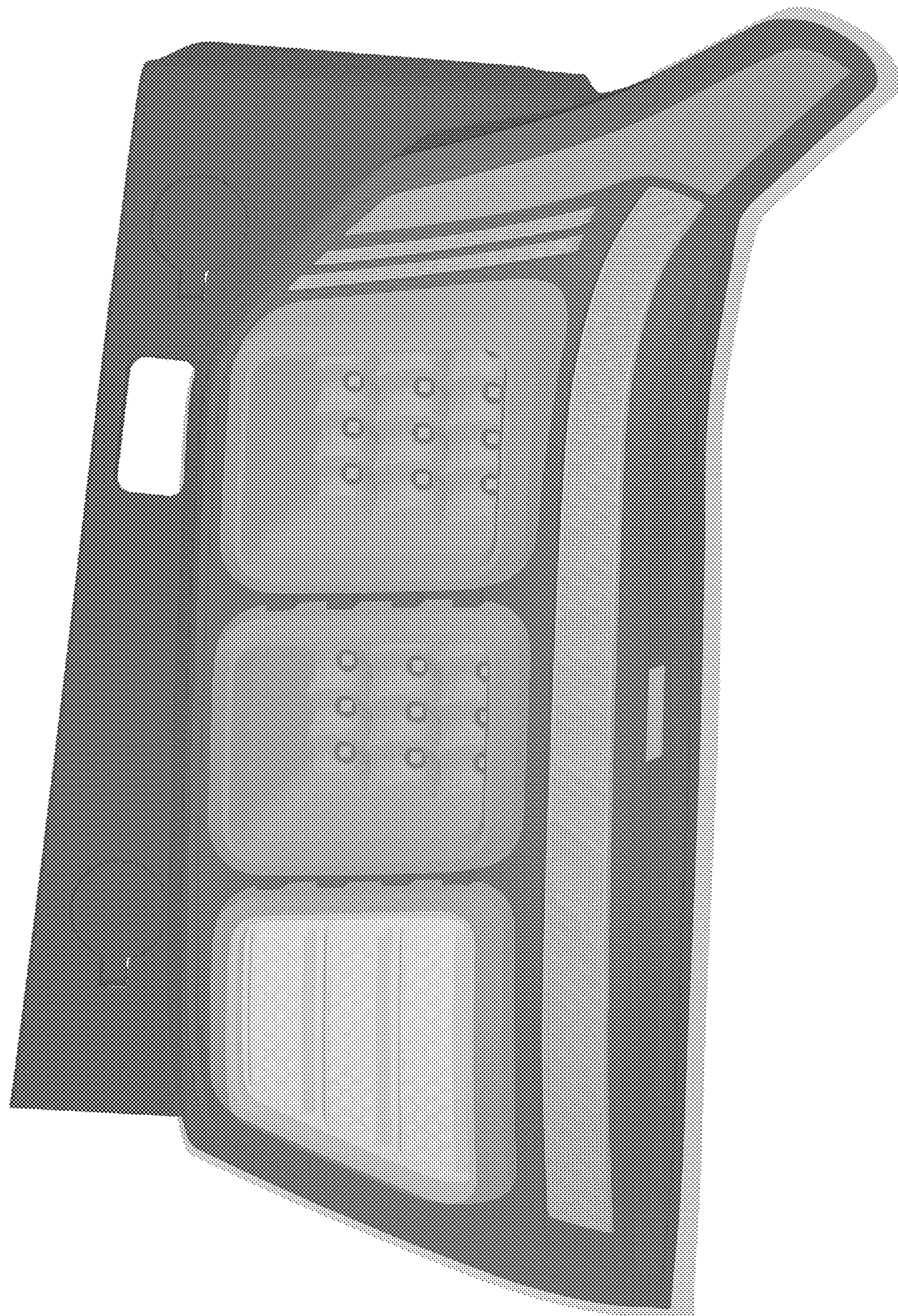
D823,497 S \* 7/2018 Kim ..... D26/28  
D877,946 S \* 3/2020 DiCanzio ..... D26/28

OTHER PUBLICATIONS

Screenshot: 2020 Hyundai Palisade Tail Light Assembly. Undated;  
one page. Found online May 18, 2020 at <https://www.mcgrathauto.com/2020-hyundai-palisade.htm> (Year: 2020).\*

\* cited by examiner

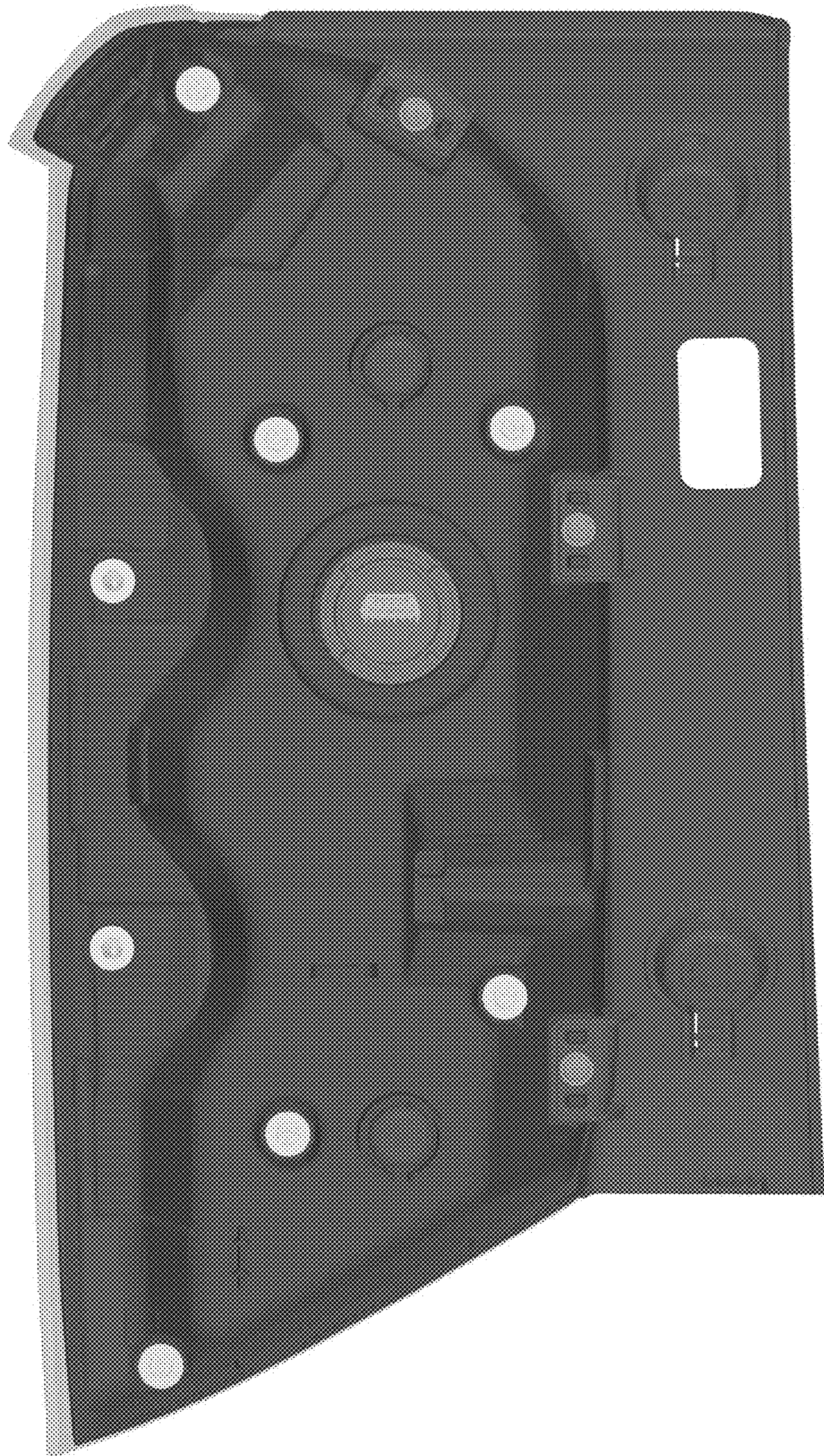
1.1



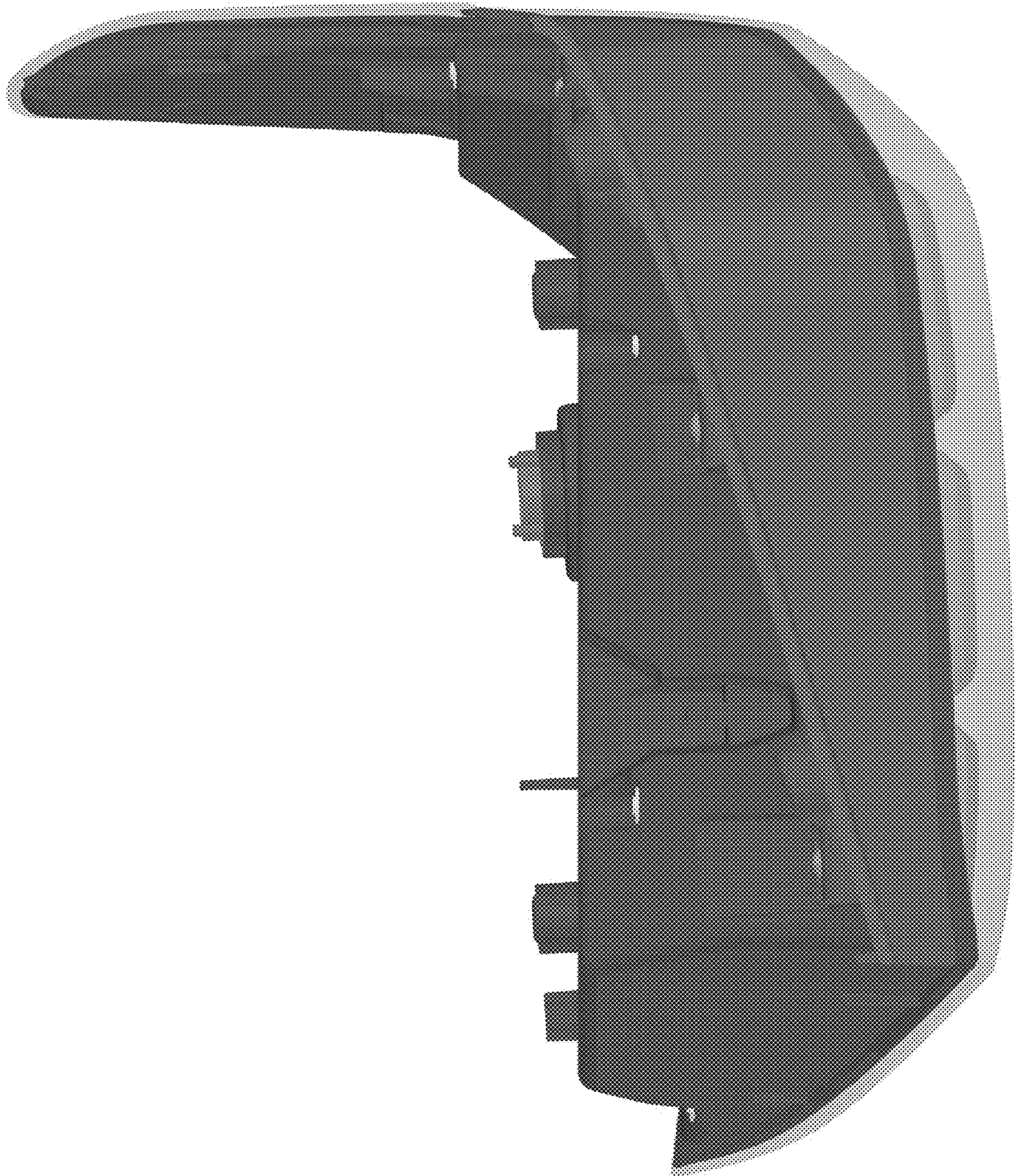
1.2



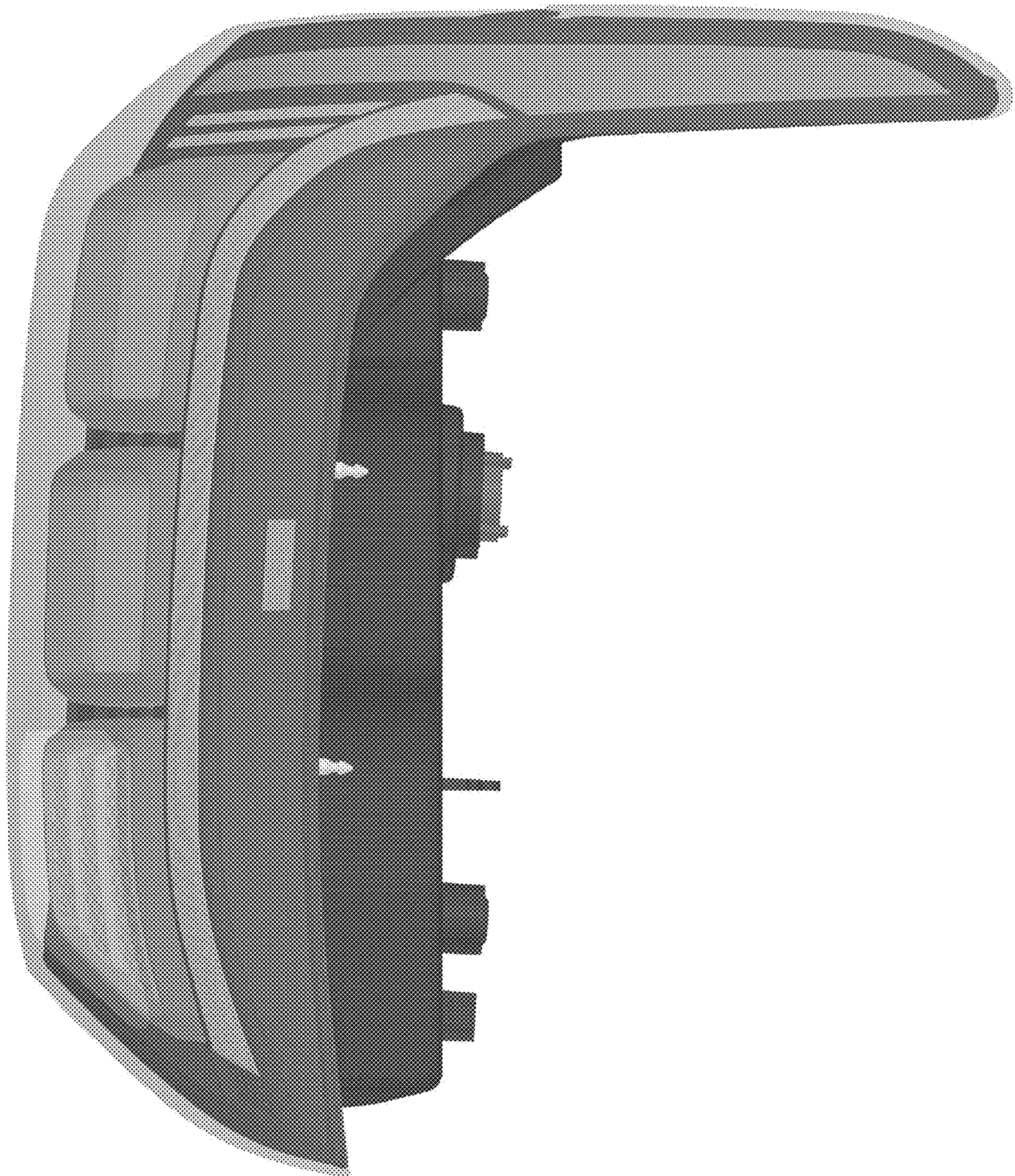
1.3



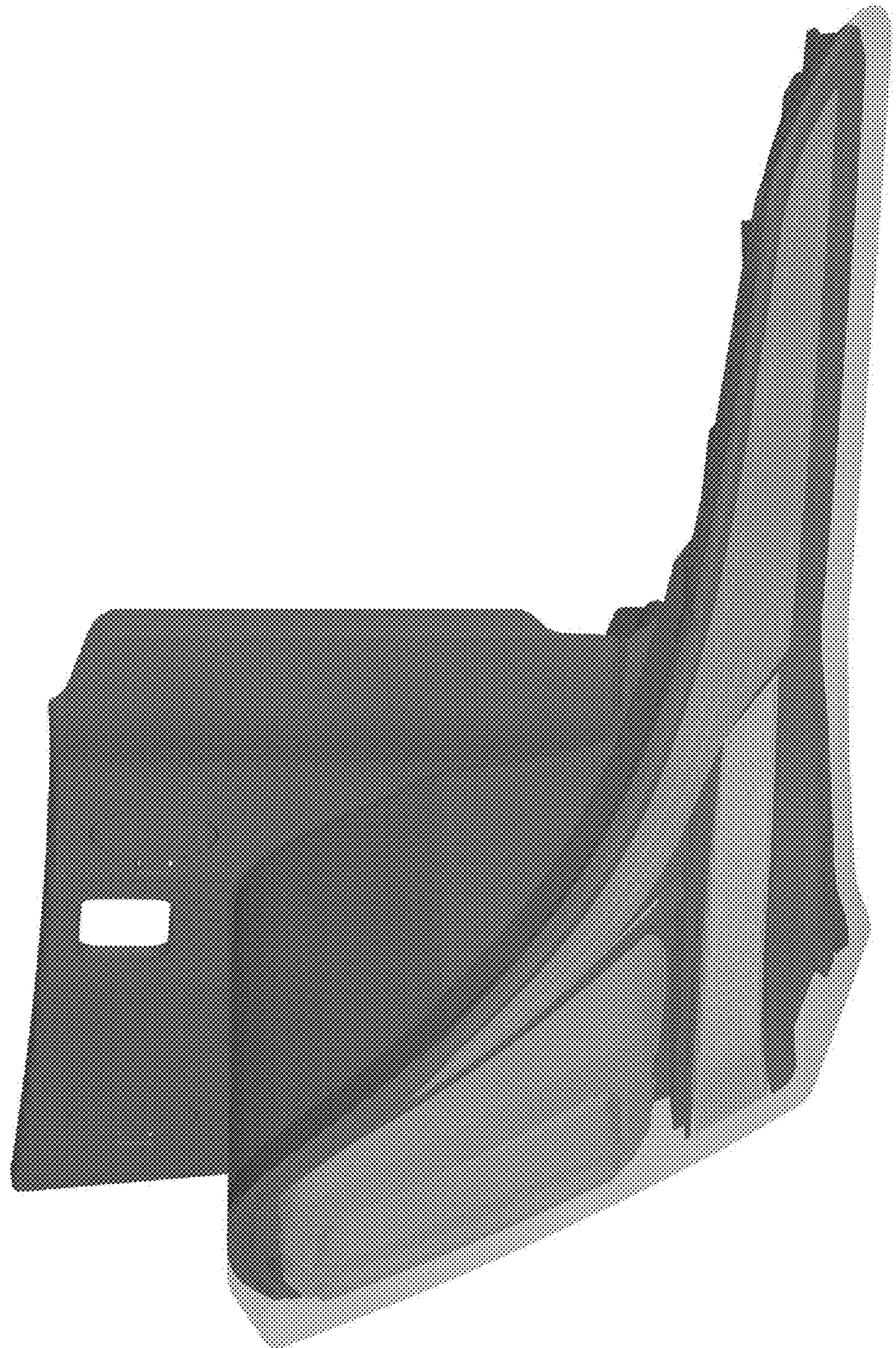
1.4



1.5



1.6





1.7

