

US00D895175S

(12) **United States Design Patent**
Li

(10) **Patent No.:** **US D895,175 S**

(45) **Date of Patent:** **** Sep. 1, 2020**

(54) **UNDERWATER LED LIGHT**

(71) Applicant: **Zhengping Li**, Enshi (CN)

(72) Inventor: **Zhengping Li**, Enshi (CN)

(**) Term: **15 Years**

(21) Appl. No.: **29/719,092**

(22) Filed: **Dec. 31, 2019**

(51) **LOC (12) Cl.** **26-03**

(52) **U.S. Cl.**

USPC **D26/24**

(58) **Field of Classification Search**

USPC D26/24, 37, 72, 104, 110, 113

CPC F21S 8/03; F21S 8/033; F21S 8/04; F21S

8/06; F21S 8/061; F21S 8/063; F21W

2131/301; F21V 21/08; F21V 21/0808;

F21V 21/096; F21V 21/0965

See application file for complete search history.

(56) **References Cited**

U.S. PATENT DOCUMENTS

D366,947 S	2/1996	Brown	
D385,051 S	10/1997	Wu	
D388,726 S	1/1998	Wu	
D402,772 S	12/1998	Lodhie	
D424,715 S	5/2000	Wu	
D434,510 S	11/2000	Lodhie	
D470,255 S	2/2003	Lodhie	
6,578,994 B1	6/2003	Beyerlein	
6,616,291 B1	9/2003	Love	
D484,270 S	12/2003	Yiu	
7,125,146 B2	10/2006	Willis et al.	
D535,039 S	1/2007	Sorokin	
D544,618 S *	6/2007	Coushaine	D26/37

D561,925 S *	2/2008	Levine	D26/72
D607,600 S *	1/2010	Keith	D26/104
D633,231 S *	2/2011	Morrison	D26/24
D642,722 S *	8/2011	Oberpriller	D26/72
9,039,232 B2	5/2015	Cuda et al.	
D761,453 S	7/2016	Sorokin	
D831,268 S *	10/2018	Johnson	D26/113
D849,983 S *	5/2019	Neal	D26/72
D861,967 S *	10/2019	Lin	D26/110
2002/0130627 A1	9/2002	Morgan et al.	
2003/0048632 A1	3/2003	Archer	

* cited by examiner

Primary Examiner — Brian N. Vinson

(74) *Attorney, Agent, or Firm* — Law Offices of Steven W. Weinrieb

(57) **CLAIM**

The ornamental design for an underwater LED light, as shown and described.

DESCRIPTION

FIG. 1 is a front, right side, top perspective view of an underwater LED light showing my new design;

FIG. 2 is a rear, left side, bottom side bottom perspective view thereof;

FIG. 3 is a front elevational view thereof;

FIG. 4 is a rear elevational view thereof;

FIG. 5 is a left side elevational view thereof;

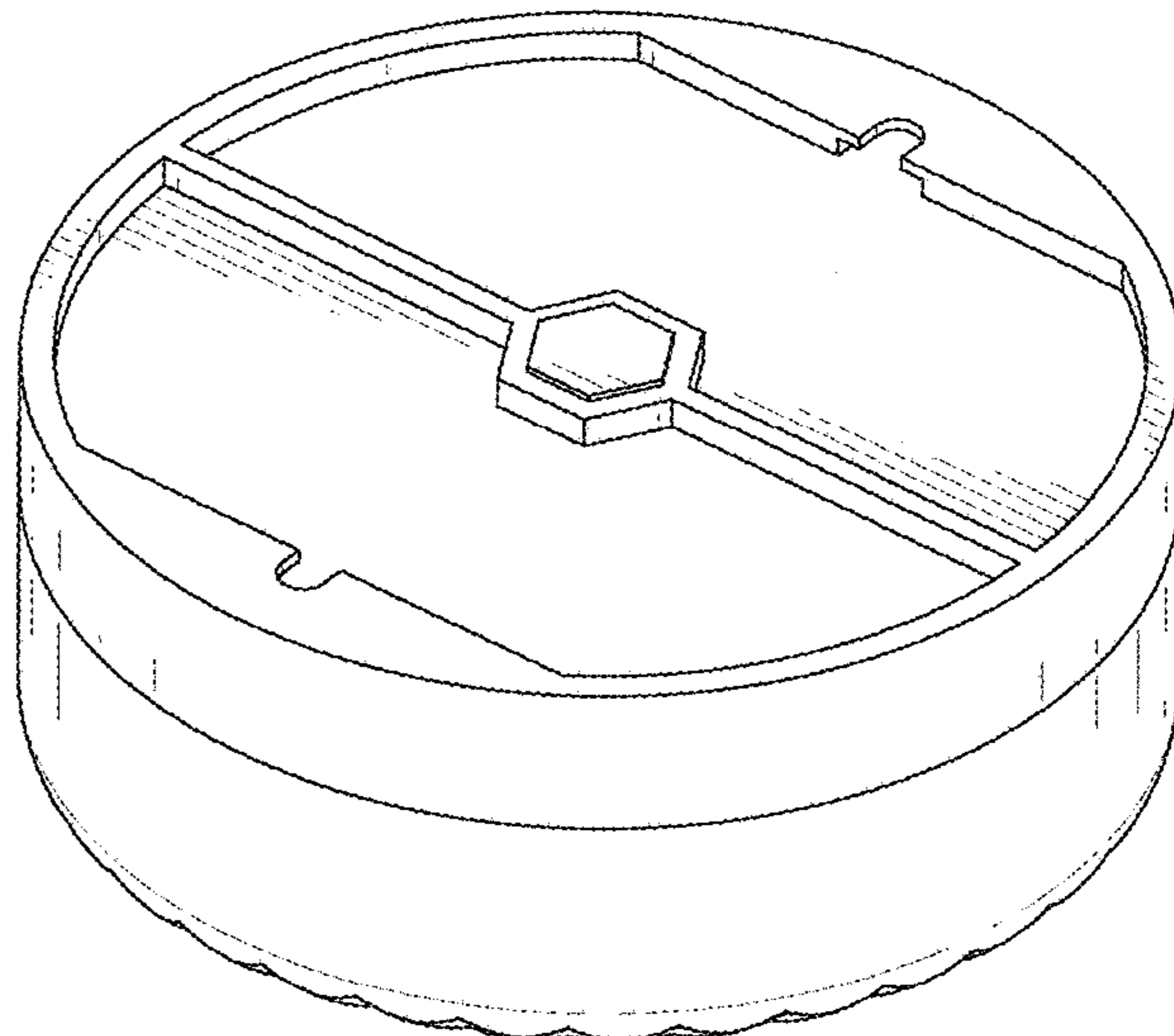
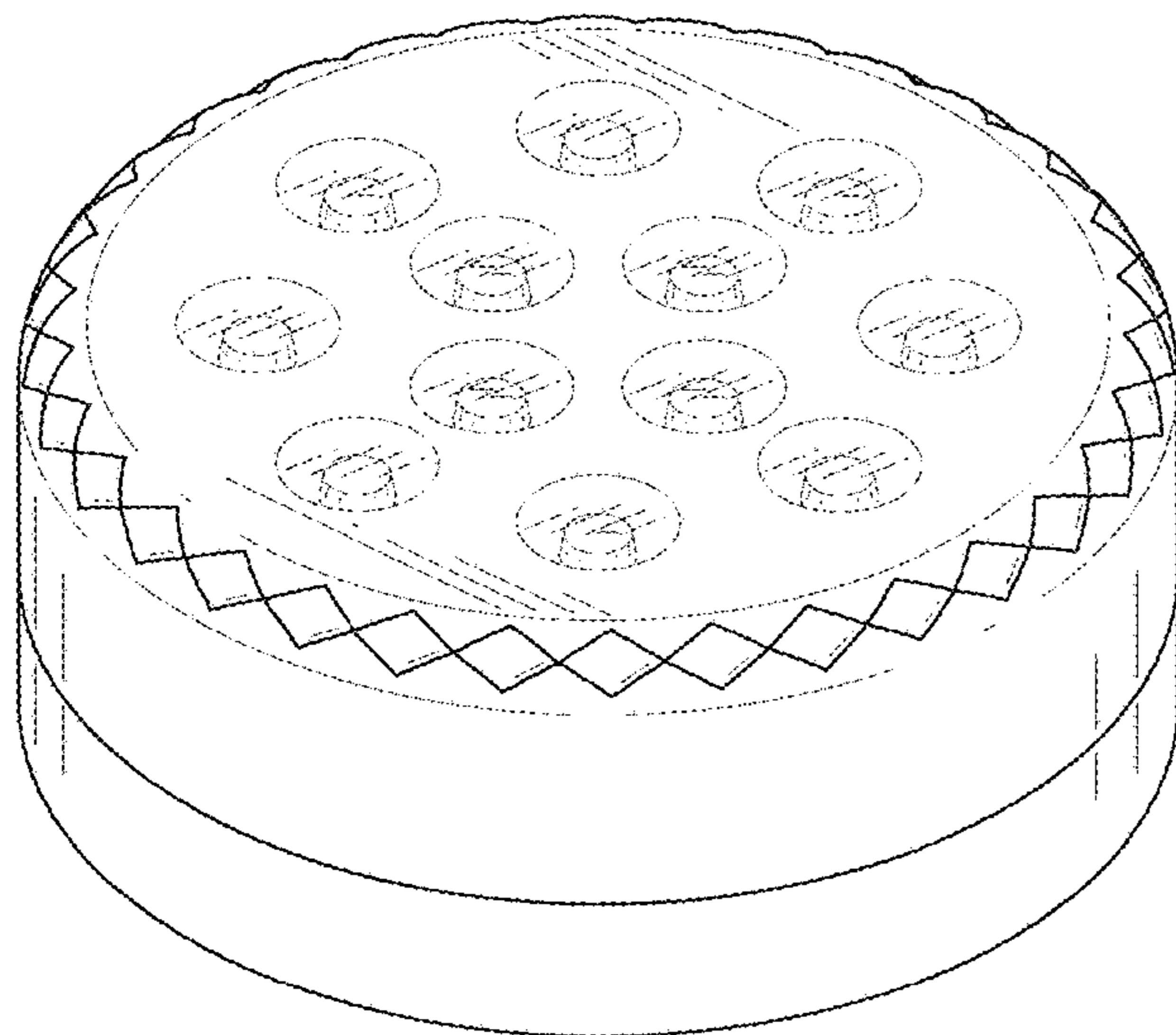
FIG. 6 is a right side elevational view thereof;

FIG. 7 is a top plan view thereof; and,

FIG. 8 is a bottom plan view thereof.

The broken lines depict portions of the underwater LED light that form no part of the claimed design.

1 Claim, 8 Drawing Sheets



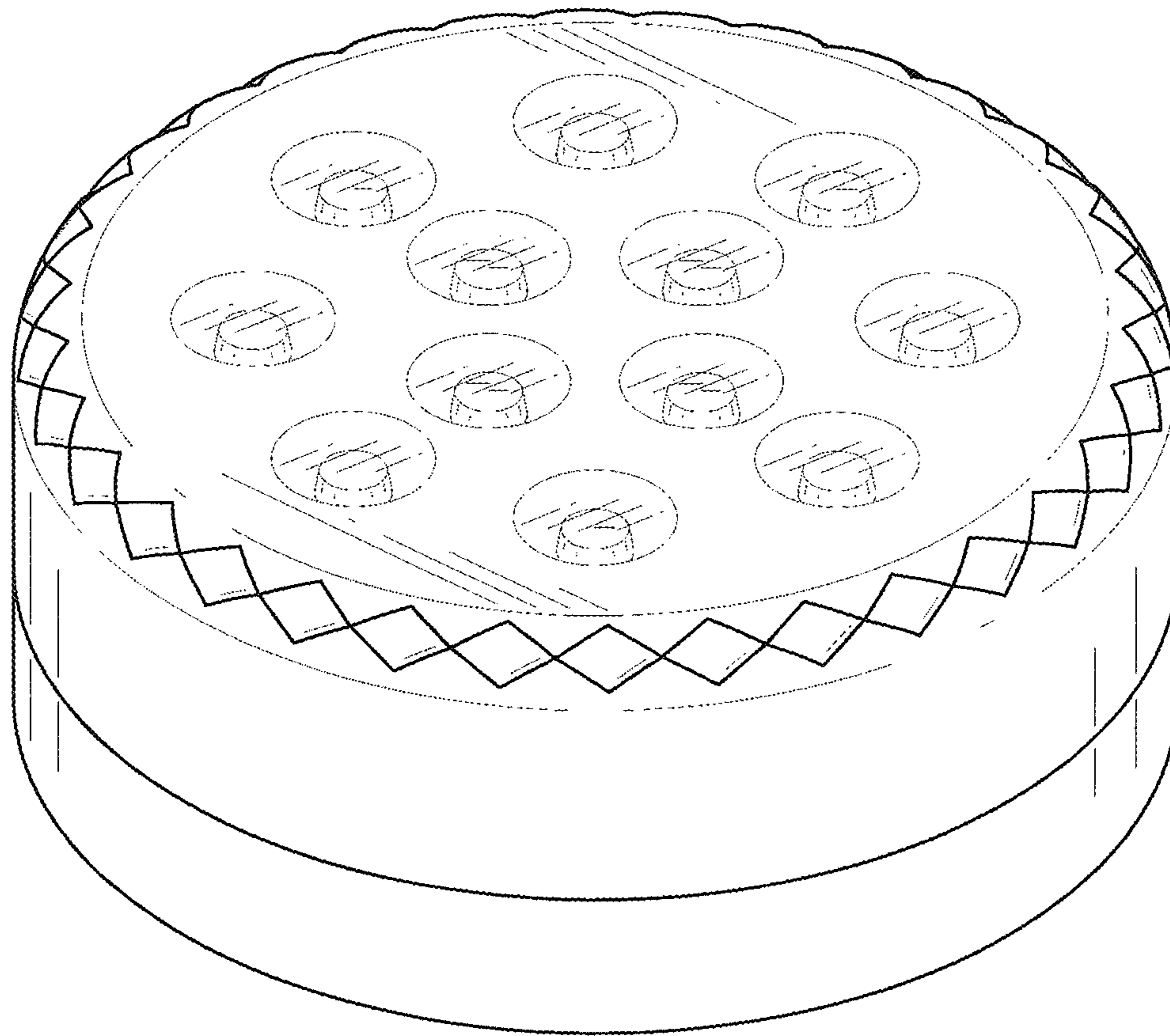


FIG.1

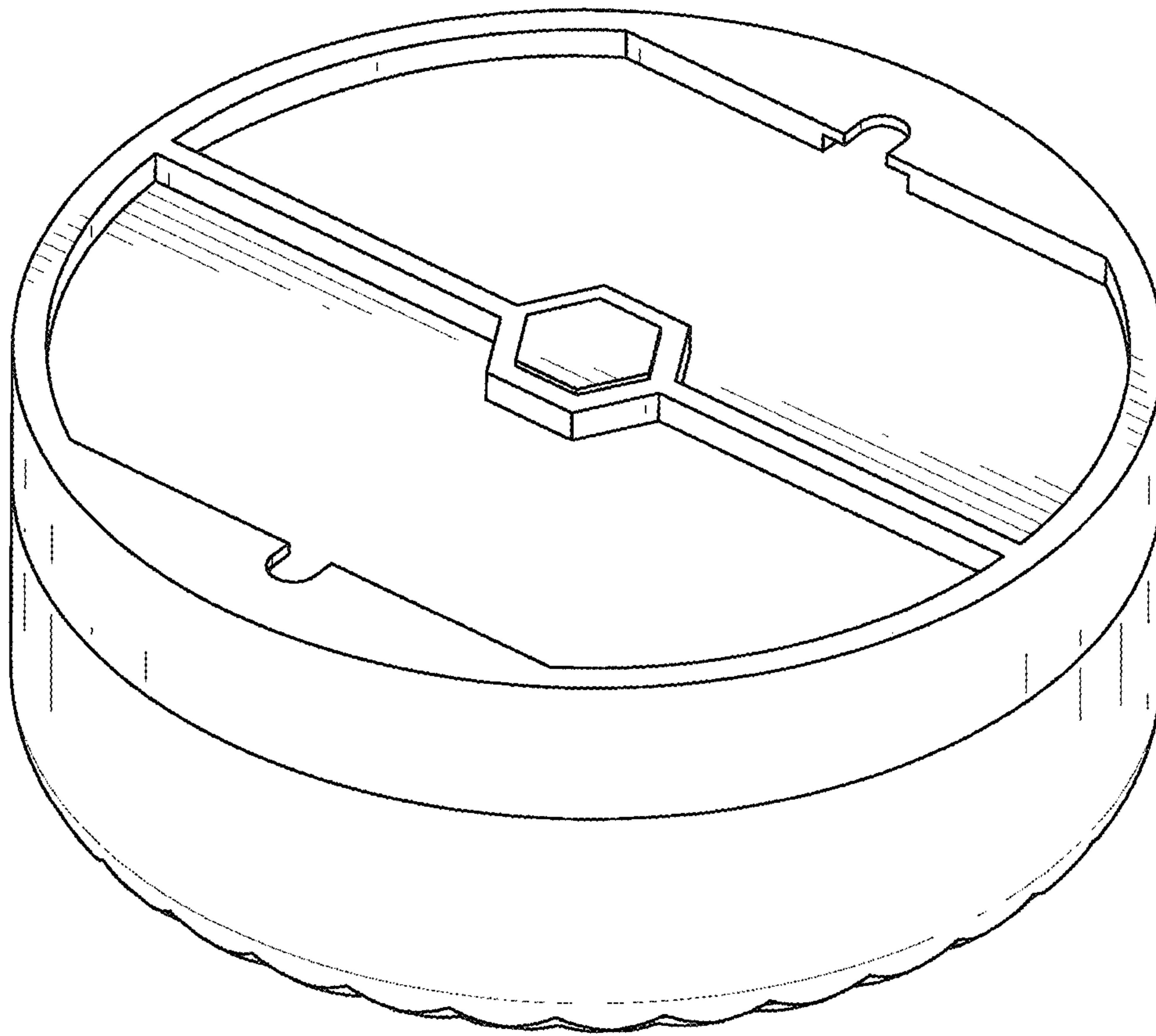


FIG.2

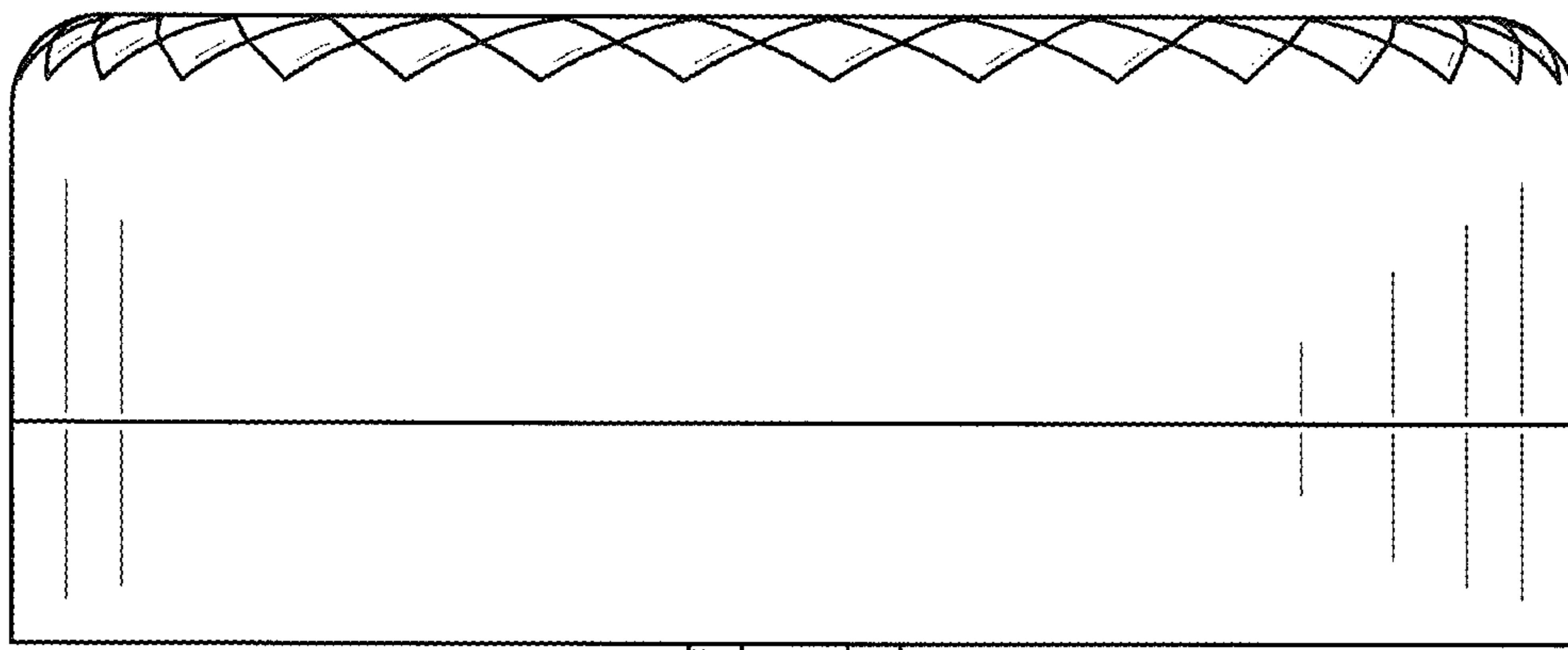


FIG. 3

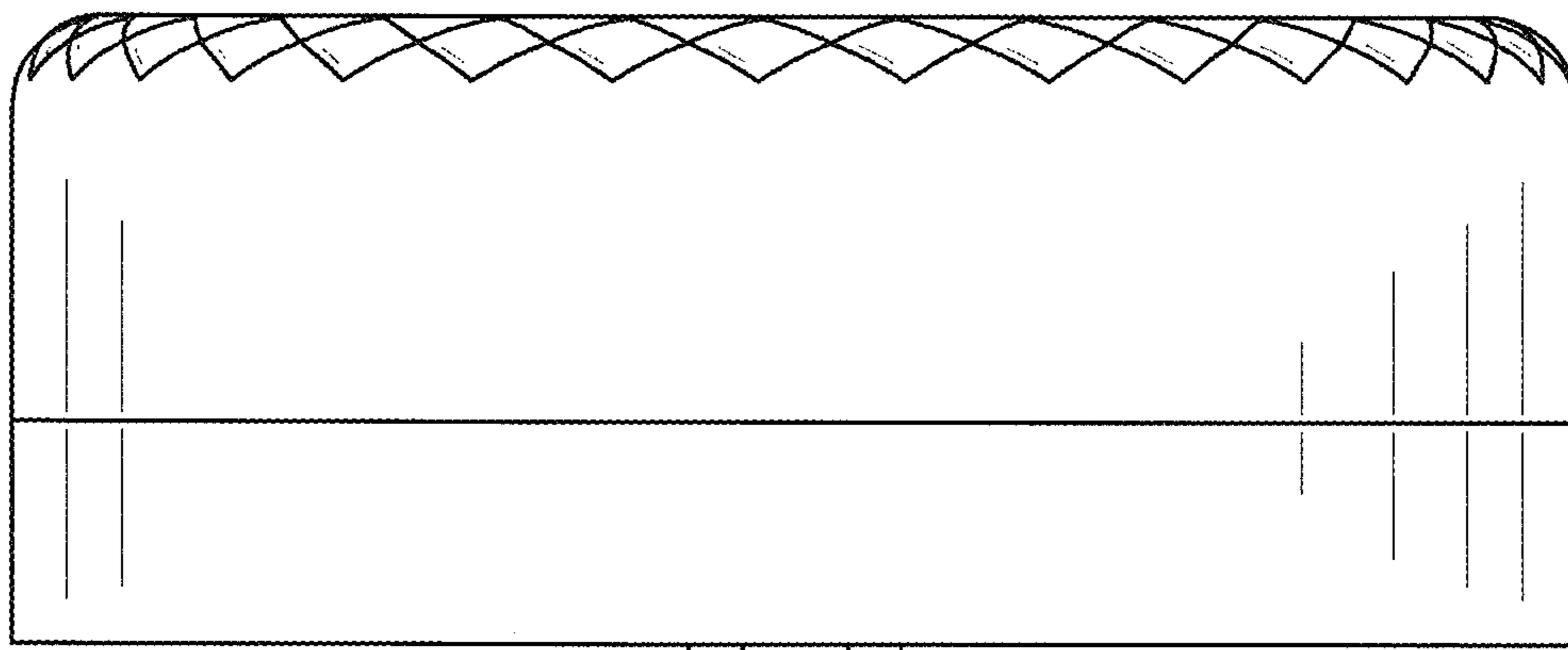


FIG.4

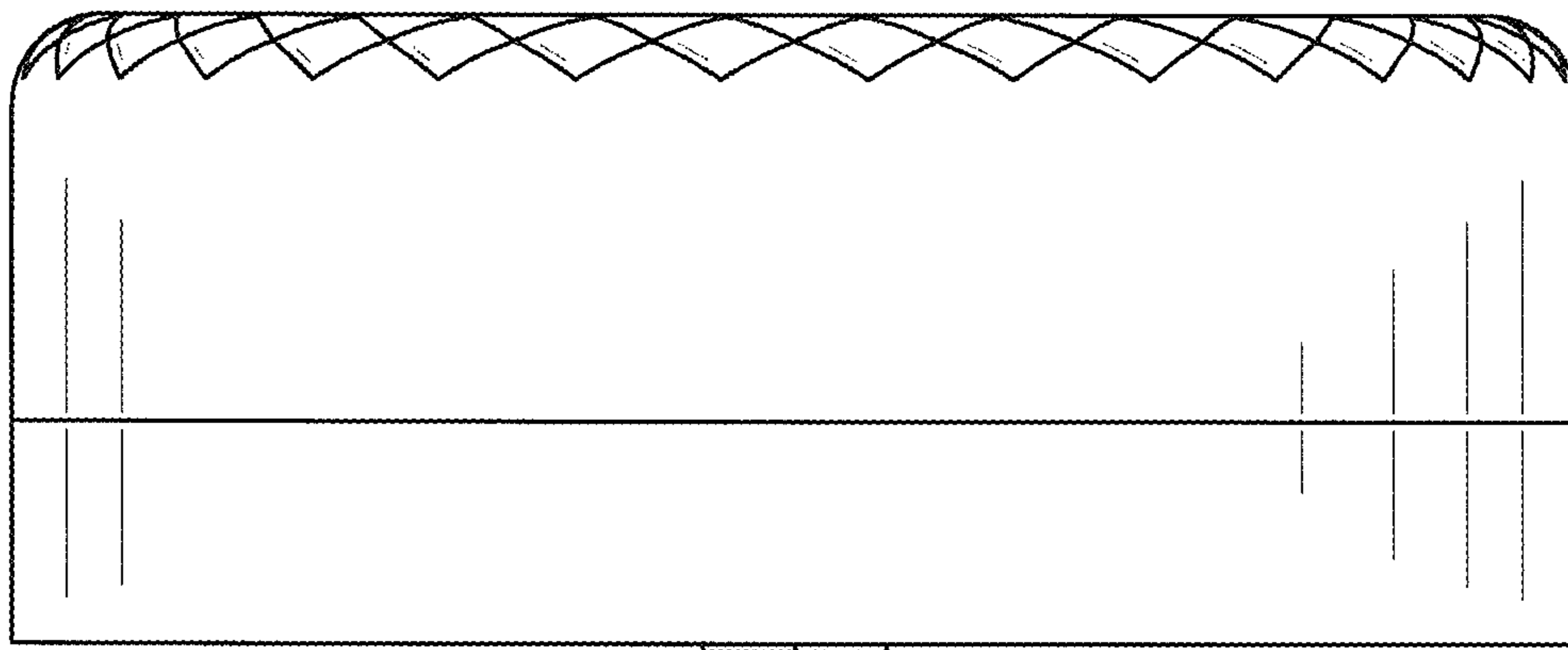


FIG.5

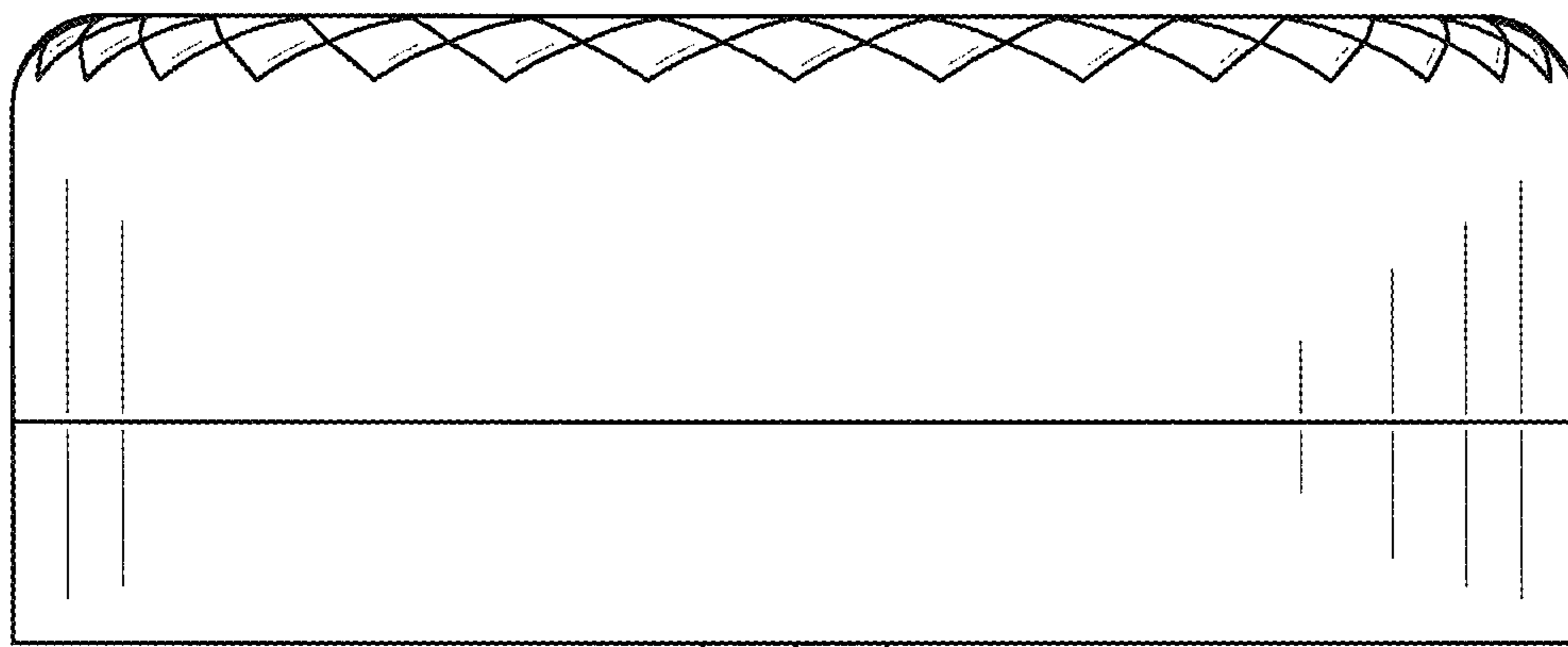


FIG.6

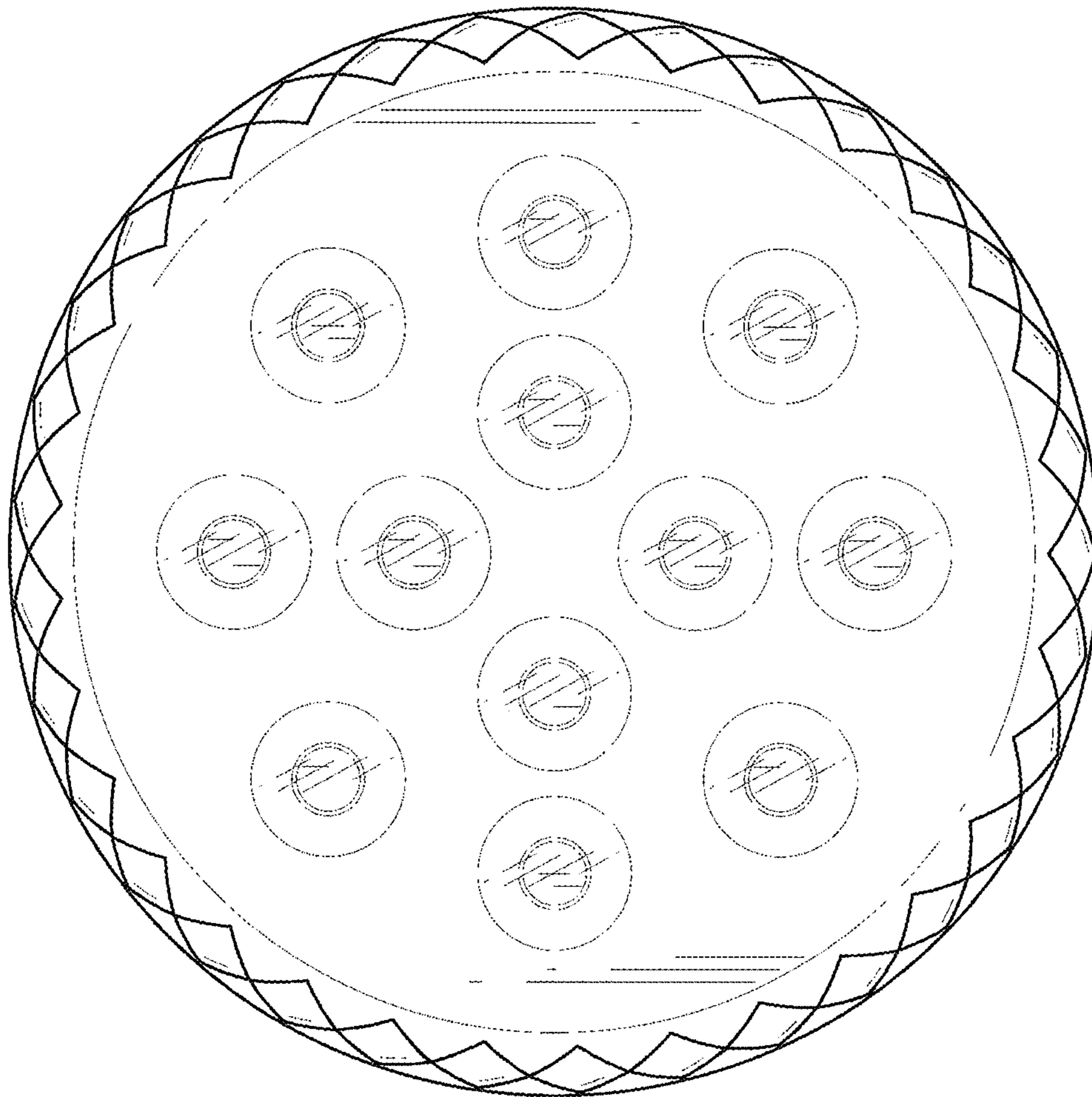


FIG.7

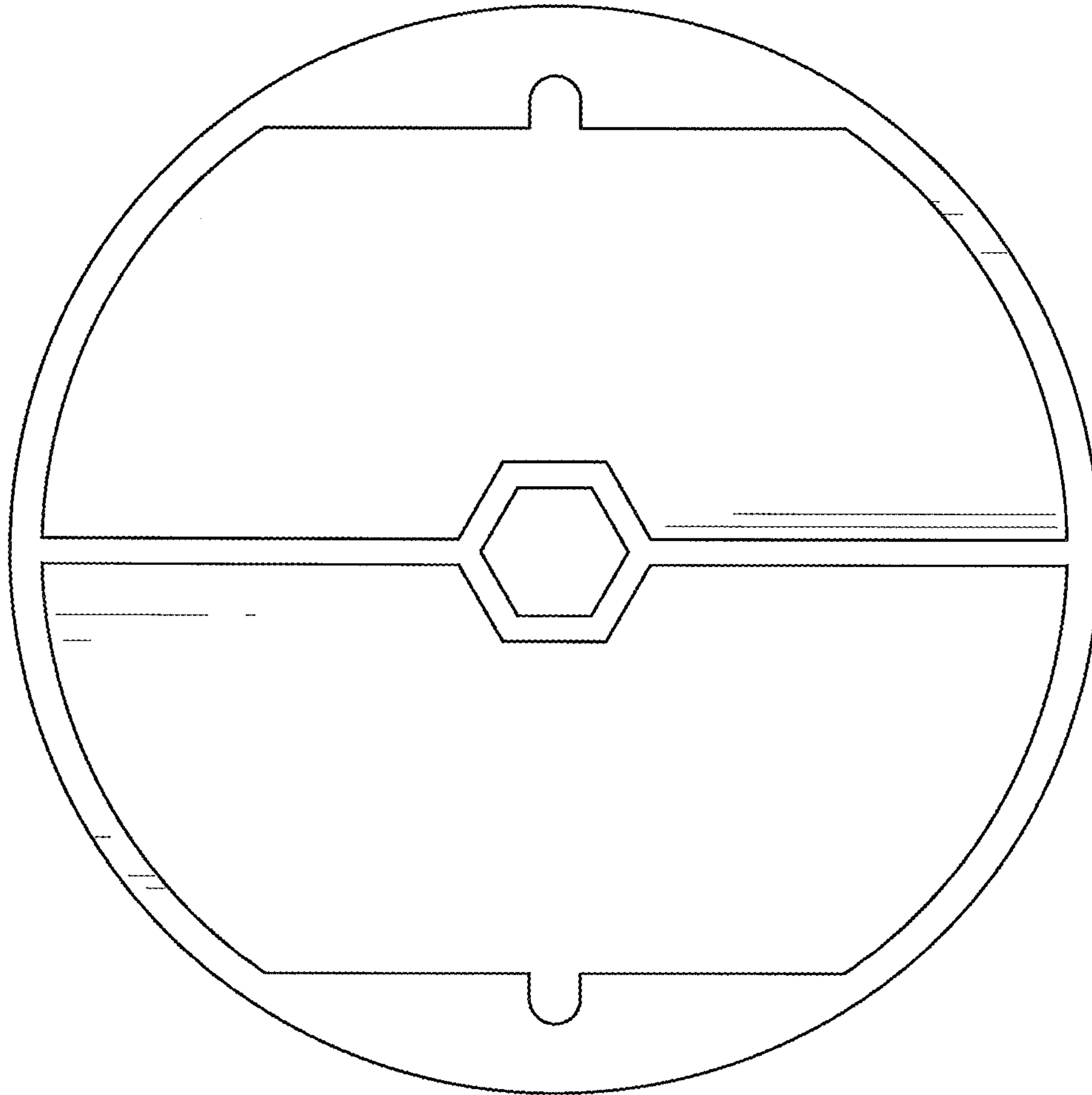


FIG. 8