



US00D895173S

(12) **United States Design Patent**  
**Harris**

(10) **Patent No.:** **US D895,173 S**

(45) **Date of Patent:** **\*\* Sep. 1, 2020**

(54) **CANDLESTICK**

(71) Applicant: **Geoffrey Herbert Harris**, Chicago, IL  
(US)

(72) Inventor: **Geoffrey Herbert Harris**, Chicago, IL  
(US)

(\*\*) Term: **15 Years**

(21) Appl. No.: **29/664,313**

(22) Filed: **Sep. 24, 2018**

(51) **LOC (12) Cl.** ..... **26-01**

(52) **U.S. Cl.**  
USPC ..... **D26/9**

(58) **Field of Classification Search**  
USPC ..... D26/6-23; D23/266, 267  
CPC ..... F21V 35/00; A47G 19/2255; F23D 3/16  
See application file for complete search history.

(56) **References Cited**

**U.S. PATENT DOCUMENTS**

|               |         |                    |                       |
|---------------|---------|--------------------|-----------------------|
| D156,499 S *  | 12/1949 | Friedman .....     | D26/22                |
| D172,699 S *  | 7/1954  | Brenner .....      | D26/22                |
| D247,456 S *  | 3/1978  | Nelson .....       | D21/519               |
| D247,586 S *  | 3/1978  | Loewenton .....    | D26/22                |
| D253,794 S *  | 12/1979 | Hilgeman .....     | D26/22                |
| D253,795 S *  | 12/1979 | Hilgeman .....     | D26/22                |
| D267,981 S *  | 2/1983  | Montague, Jr. .... | D26/96                |
| D292,323 S *  | 10/1987 | Vandrilla .....    | D26/96                |
| D389,946 S *  | 1/1998  | Hutton .....       | D26/110               |
| 5,816,695 A * | 10/1998 | Lin .....          | F21S 6/001<br>362/392 |
| D463,060 S *  | 9/2002  | Stokes .....       | D26/110               |
| D471,310 S *  | 3/2003  | Stokes .....       | D26/110               |
| D493,693 S *  | 8/2004  | Lord .....         | D8/352                |
| D527,800 S *  | 9/2006  | Schaffeld .....    | D23/249               |

|              |         |                |         |
|--------------|---------|----------------|---------|
| D542,430 S * | 5/2007  | Keith .....    | D26/22  |
| D543,754 S * | 6/2007  | Bauer .....    | D6/550  |
| D621,571 S * | 8/2010  | Cox .....      | D99/5   |
| D648,424 S * | 11/2011 | Gilbert .....  | 137/359 |
| D710,039 S * | 7/2014  | Schwenk .....  | D26/9   |
| D740,462 S * | 10/2015 | Schwenk .....  | D26/9   |
| D756,747 S * | 5/2016  | Wu .....       | D8/352  |
| D774,218 S * | 12/2016 | Imperial ..... | D26/9   |
| D793,614 S * | 8/2017  | Patton .....   | D26/96  |
| D851,812 S * | 6/2019  | Clarke .....   | D26/96  |

\* cited by examiner

*Primary Examiner* — Shannon W Morgan

*Assistant Examiner* — Keith Frank

(74) *Attorney, Agent, or Firm* — Banner & Witcoff, Ltd.

(57) **CLAIM**

The ornamental design for a candlestick, as shown and described.

**DESCRIPTION**

The patent or application file contains at least one drawing executed in color. Copies of this patent or patent application publication with color drawing(s) will be provided by the Office upon request and payment of the necessary fee.

FIG. 1 is a front perspective photographic view of a candlestick showing my new design;

FIG. 2 is a rear perspective photographic view thereof;

FIG. 3 is a front photographic view thereof;

FIG. 4 is a rear photographic view thereof;

FIG. 5 is a left side photographic view thereof;

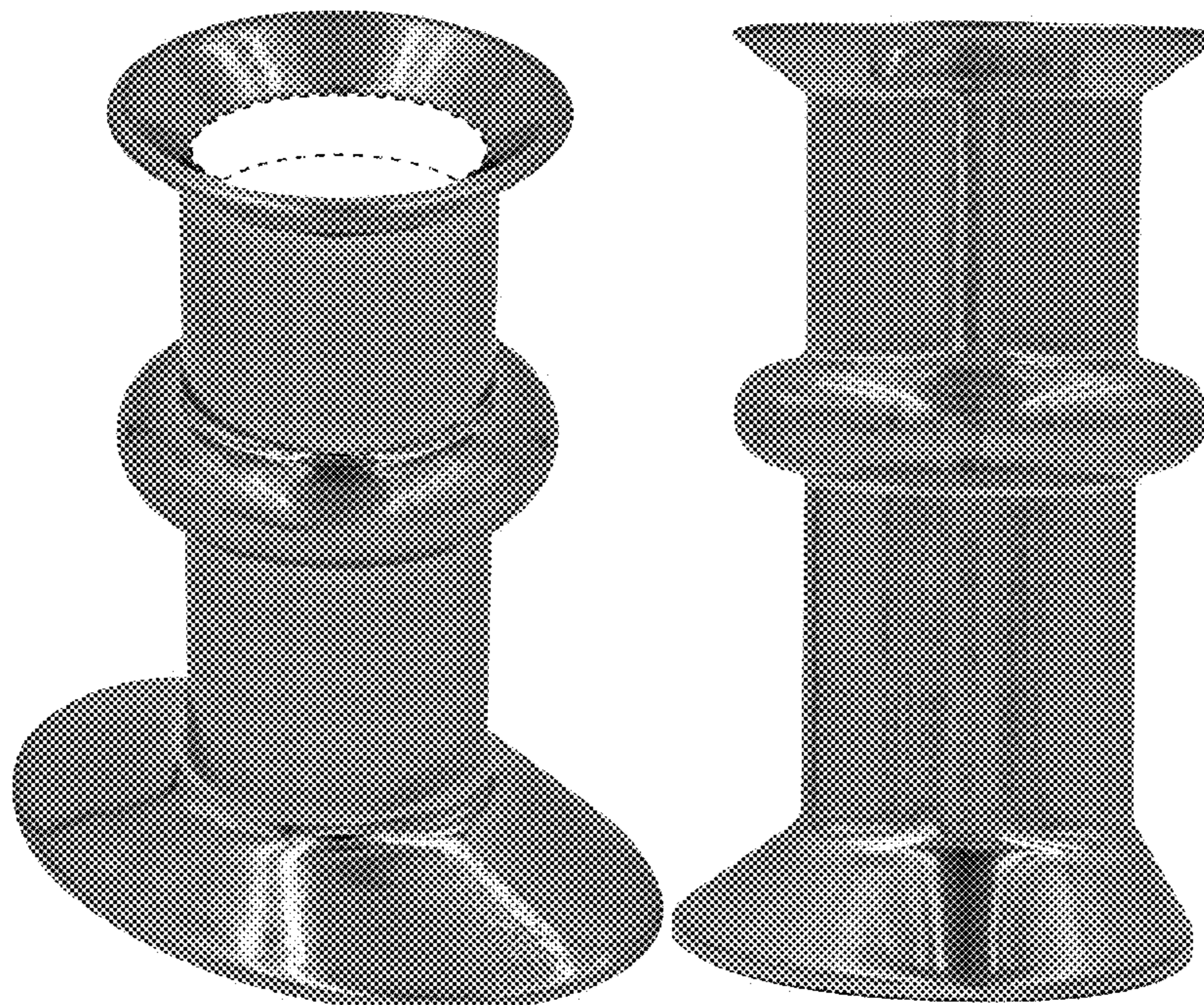
FIG. 6 is a right side photographic view thereof;

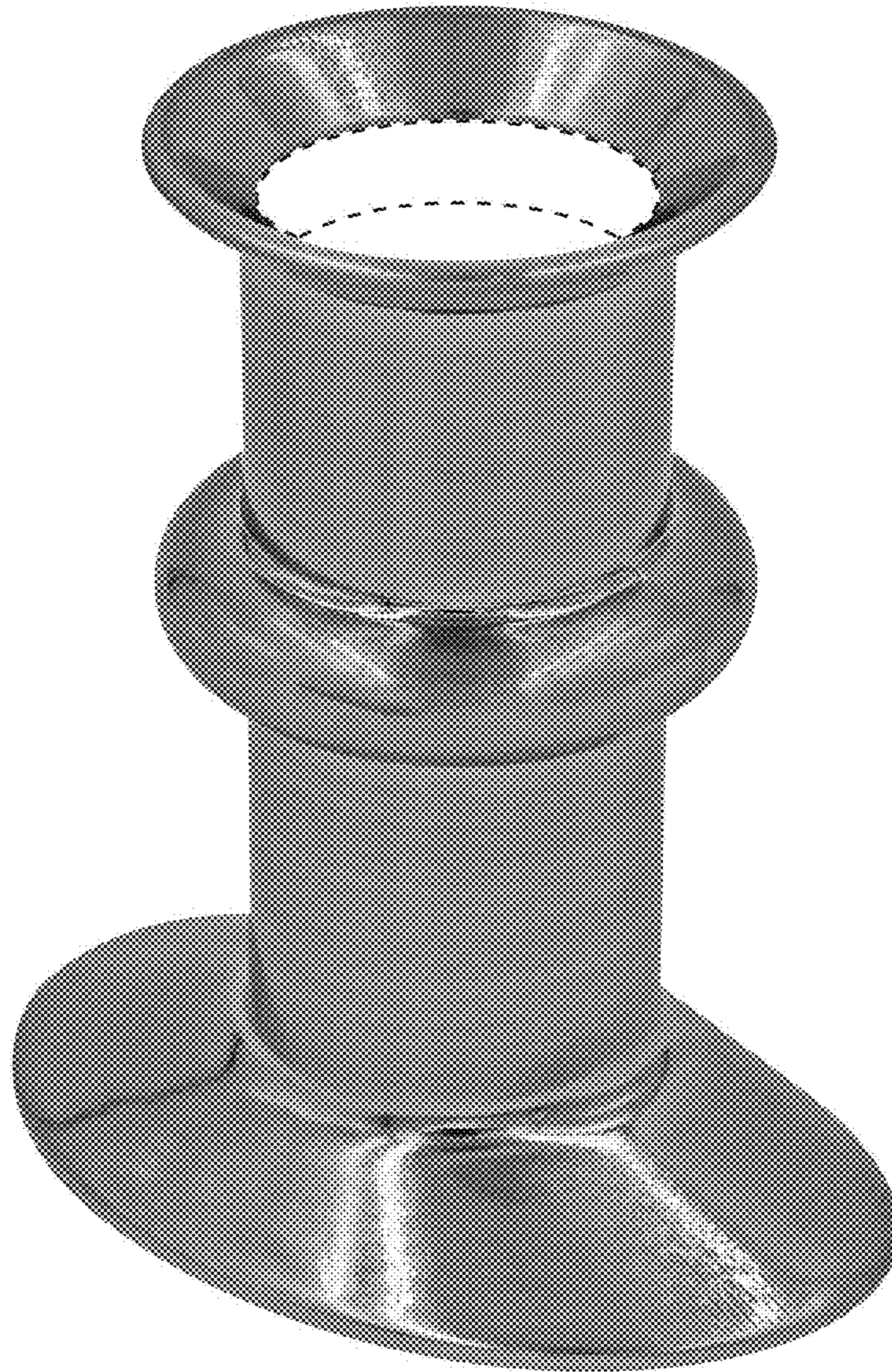
FIG. 7 is a top photographic view thereof; and,

FIG. 8 is a bottom photographic view thereof.

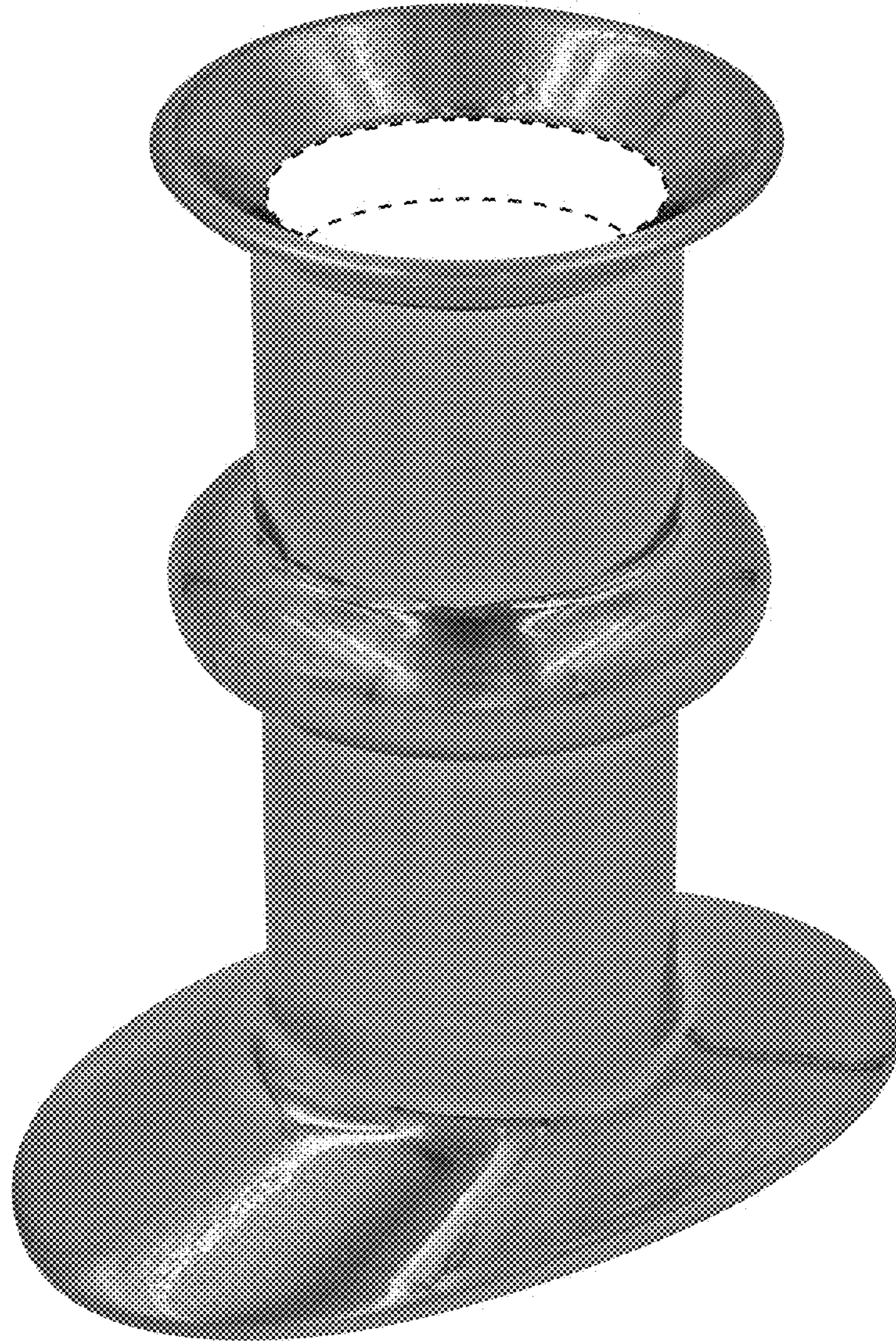
The broken lines depicting the remainder of the candlestick show features that form no part of the claimed design.

**1 Claim, 8 Drawing Sheets**  
**(8 of 8 Drawing Sheet(s) Filed in Color)**





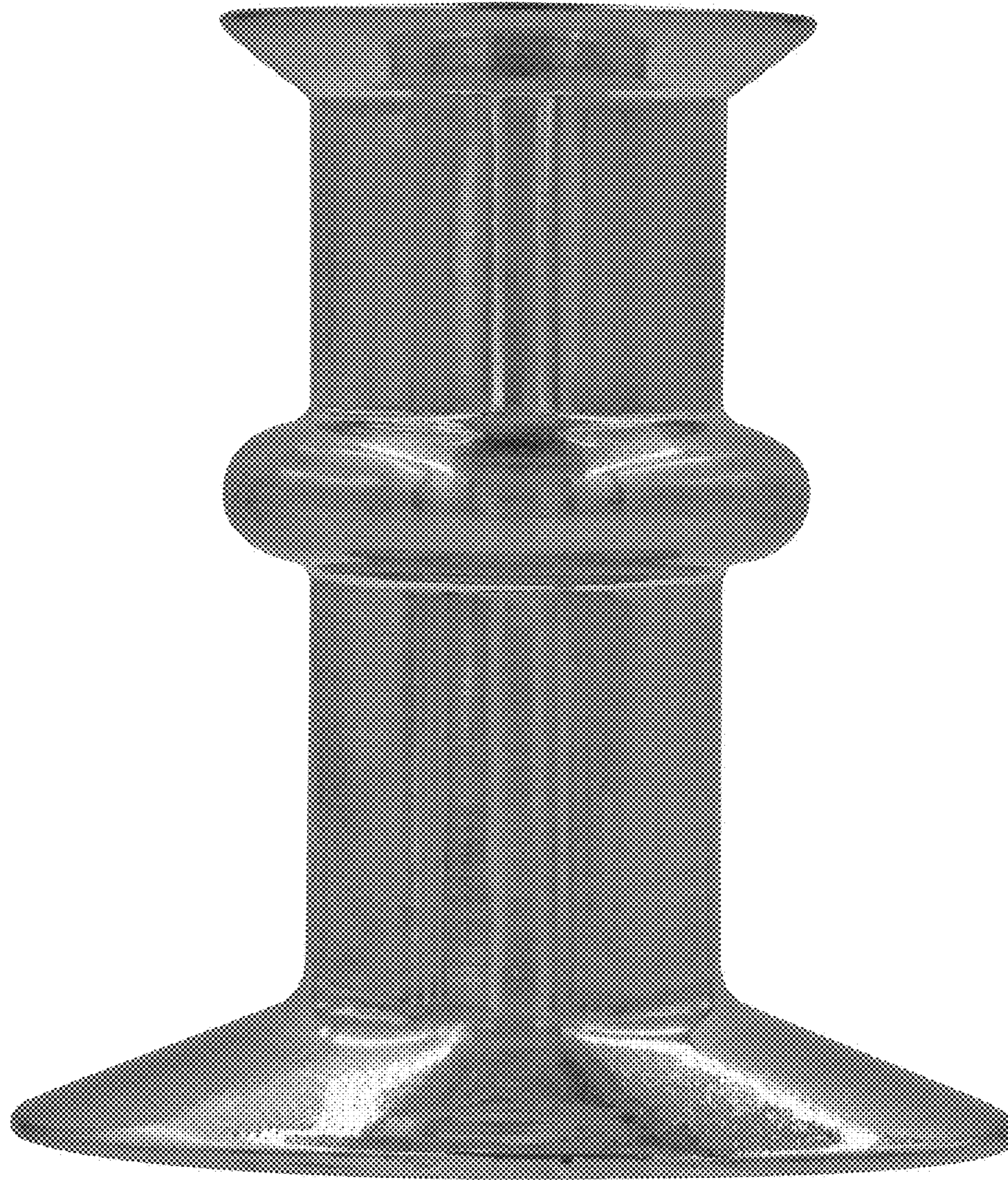
***FIG. 1***



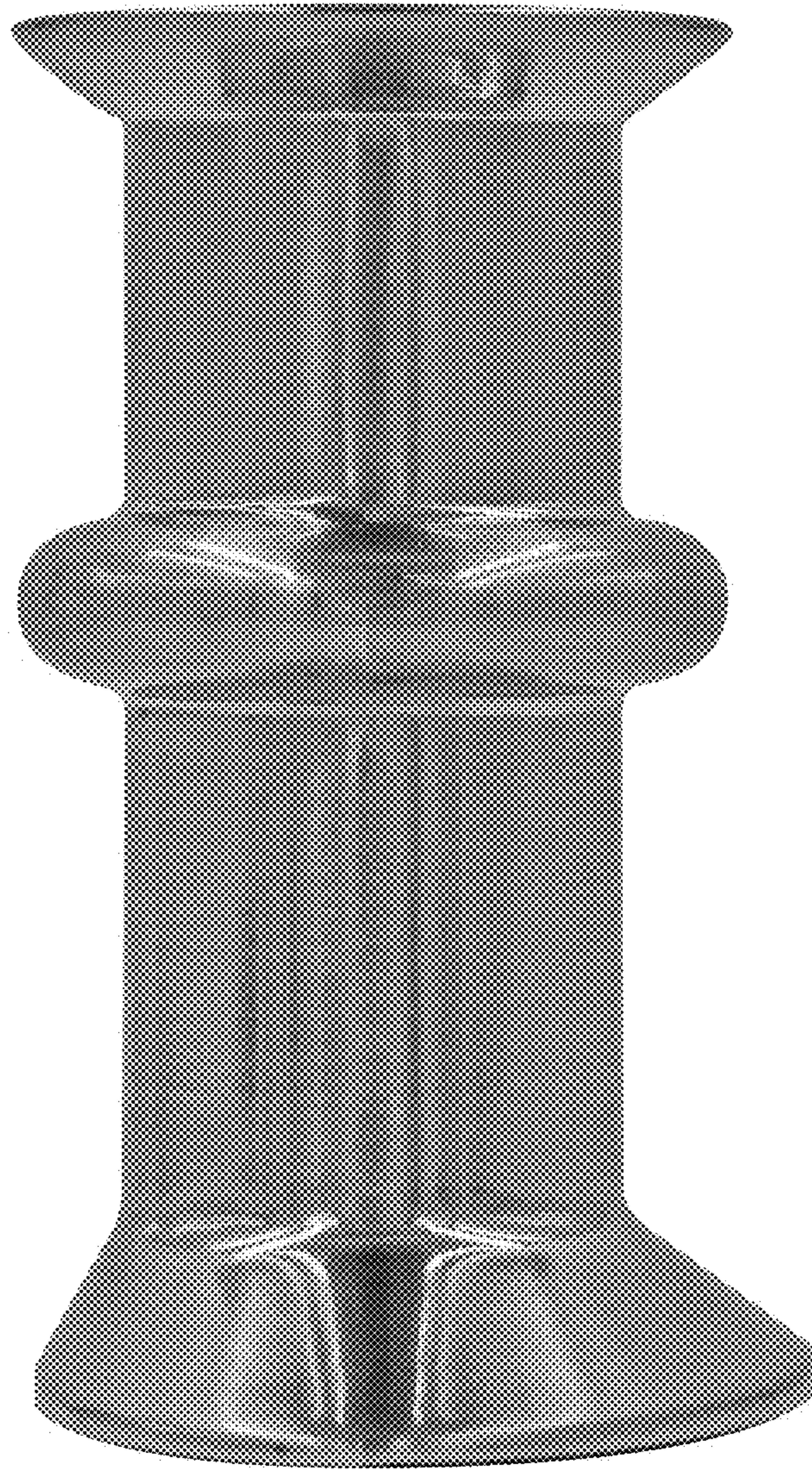
**FIG. 2**



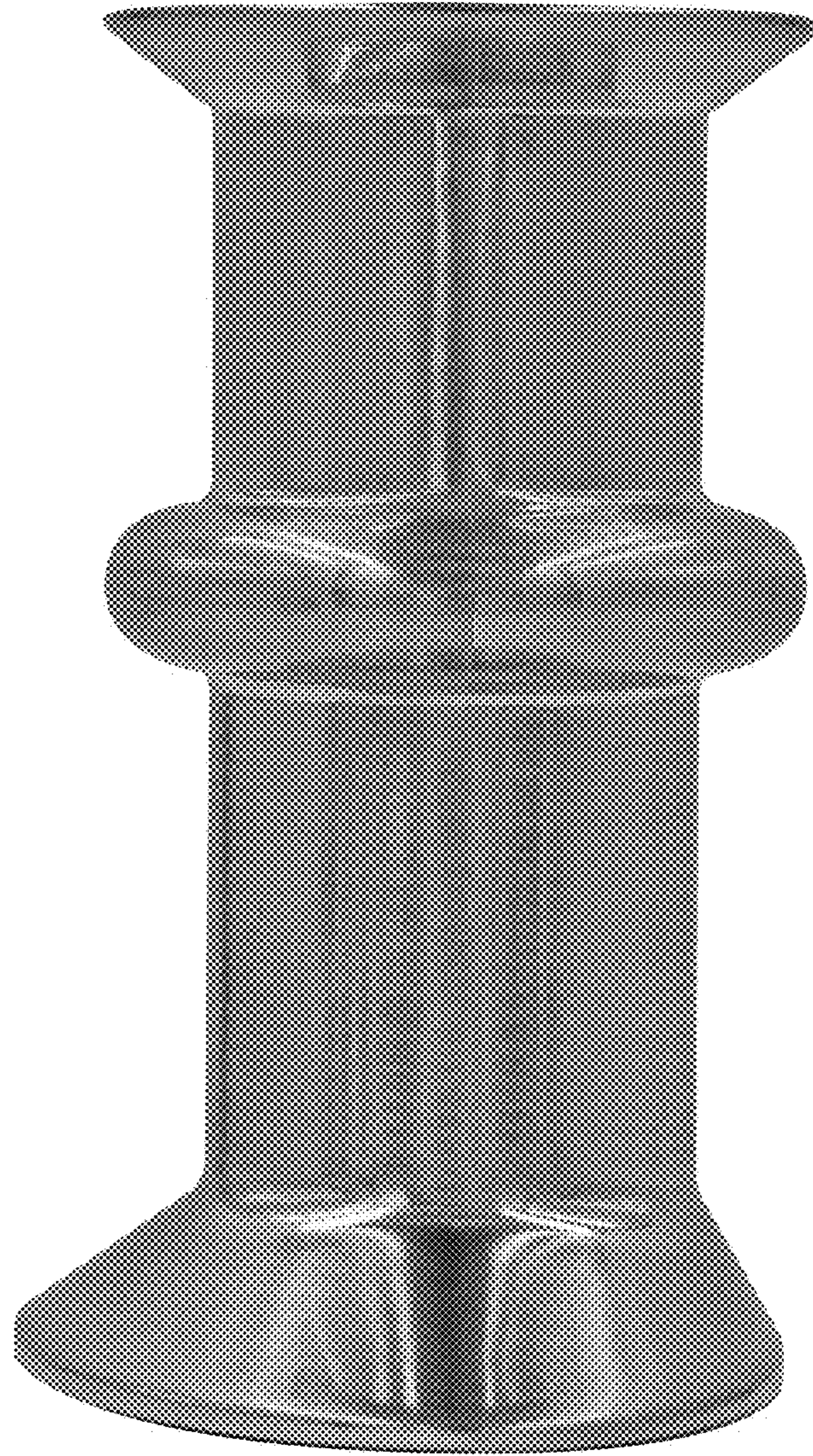
**FIG. 3**



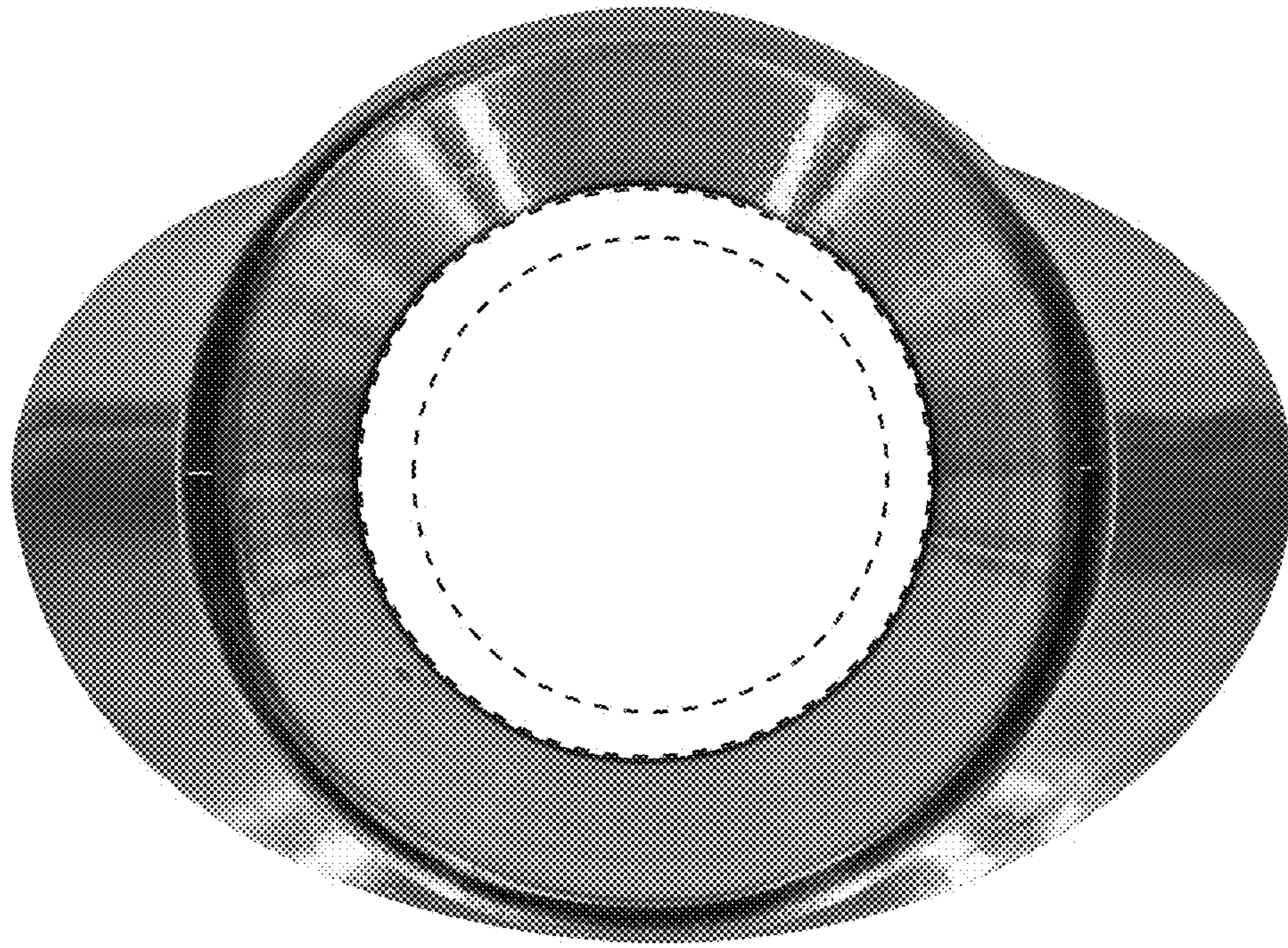
**FIG. 4**



***FIG. 5***

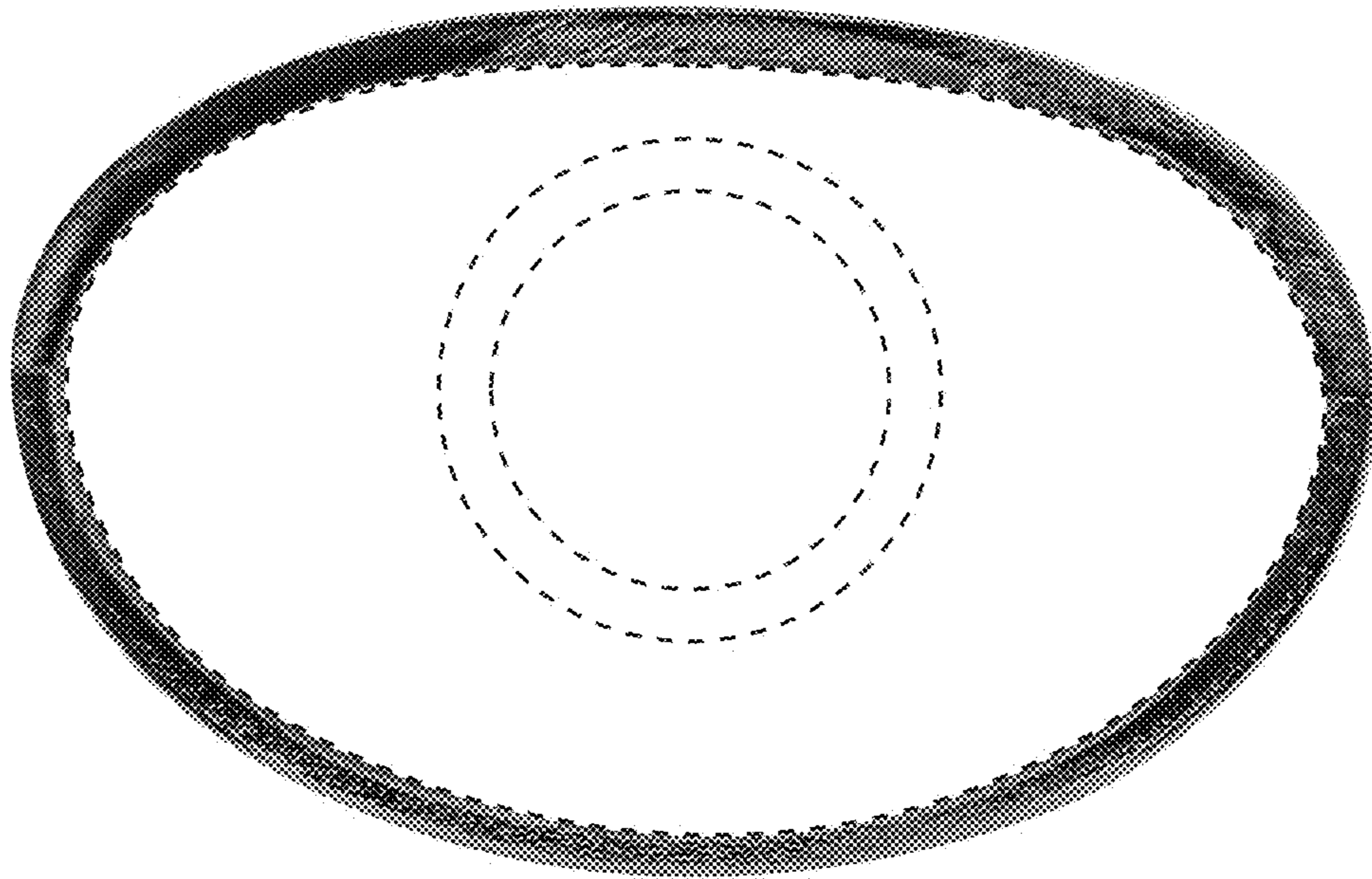


**FIG. 6**



***FIG. 7***





**FIG. 8**