

US00D895171S

(12) **United States Design Patent** (10) **Patent No.:** **US D895,171 S**
Broom (45) **Date of Patent:** **** Sep. 1, 2020**

(54) **BULB**
(71) Applicant: **Lee Broom Limited**, London (GB)
(72) Inventor: **Lee Broom**, London (GB)
(**) Term: **15 Years**
(21) Appl. No.: **35/507,182**
(22) Filed: **Jan. 21, 2019**
(80) **Hague Agreement Data**
Int. Filing Date: **Jan. 21, 2019**
Int. Reg. No.: **DM/200478**
Int. Reg. Date: **Jan. 21, 2019**
Int. Reg. Pub. Date: **Aug. 2, 2019**

D596,321 S * 7/2009 Noh D26/3
D634,876 S * 3/2011 McGrath D26/79
D650,497 S * 12/2011 Lai D26/3
D652,968 S * 1/2012 Aguiar D26/3
D655,832 S * 3/2012 Lai D26/3
D656,632 S * 3/2012 Lai D26/3
D658,798 S * 5/2012 Hillard D26/51
D717,477 S * 11/2014 Nakamura D26/3
D727,542 S * 4/2015 Li D26/2
D739,055 S * 9/2015 Plourde D26/3
D744,126 S * 11/2015 Glachman D26/3
D824,076 S * 7/2018 Sonneman D26/86
D836,820 S * 12/2018 Sonneman D26/86
D838,402 S * 1/2019 Sonneman D26/86
D867,101 S * 11/2019 Minale D8/307
D878,660 S * 3/2020 Sun D26/76

(51) **LOC (12) Cl.** **26-04**
(52) **U.S. Cl.**
USPC **D26/2**
(58) **Field of Classification Search**
USPC D26/1, 2, 3, 24, 70, 72, 75, 78, 79, 80,
D26/81, 82, 84, 85, 86, 88, 90, 91, 102,
D26/110, 122, 128, 129, 130, 137
CPC .. G03B 2215/0589; F21S 2/005; F21S 4/002;
F21S 4/008; F21S 8/031; F21S 8/038;
F21S 8/04; F21S 8/043; F21S 8/046;
F21S 8/06; F21S 8/061; F21S 8/063;
F21S 8/065; F21S 8/066; F21S 8/068
See application file for complete search history.

OTHER PUBLICATIONS

Two Screenshots B: Lee Broom is Set to Launch 3rd and Final Installment of Observatory Collection. Dated Aug. 27, 2018; one page. Found online Apr. 30, 2020 at <https://design-milk.com/lee-broom-is-set-to-launch-3rd-and-final-installment-of-observatory-collection/> (Year: 2018).*

* cited by examiner

Primary Examiner — Robert M. Spear

(57) **CLAIM**

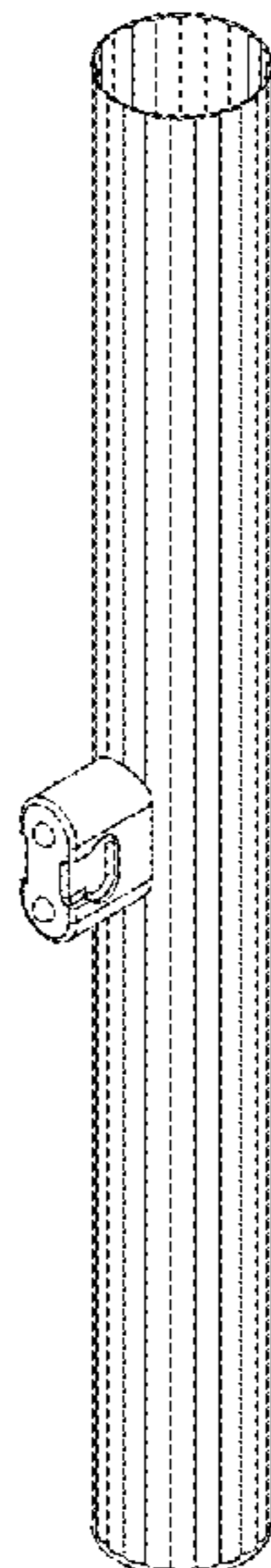
The ornamental design for bulb, as shown and described.

DESCRIPTION

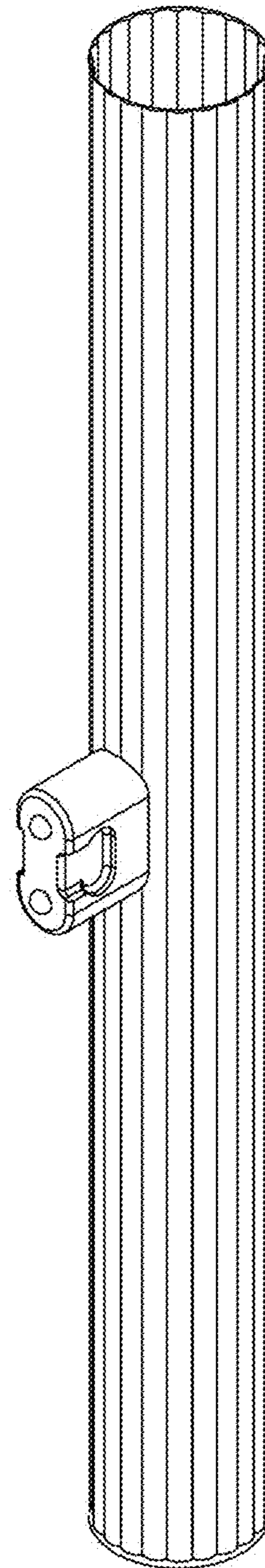
- 1. Bulb
- 1.1 : Perspective
- 1.2 : Front
- 1.3 : Back
- 1.4 : Right
- 1.5 : Left
- 1.6 : Bottom
- 1.7 : Top

(56) **References Cited**
U.S. PATENT DOCUMENTS
D51,392 S * 10/1917 Pelletier D26/72
D110,198 S * 6/1938 Stewart D26/78
D421,142 S * 2/2000 Bayat D26/42
D438,326 S * 2/2001 Kan D26/76
D549,383 S * 8/2007 Duggan D26/85
D550,885 S * 9/2007 Crosby D26/75
D584,429 S * 1/2009 Pei D26/3

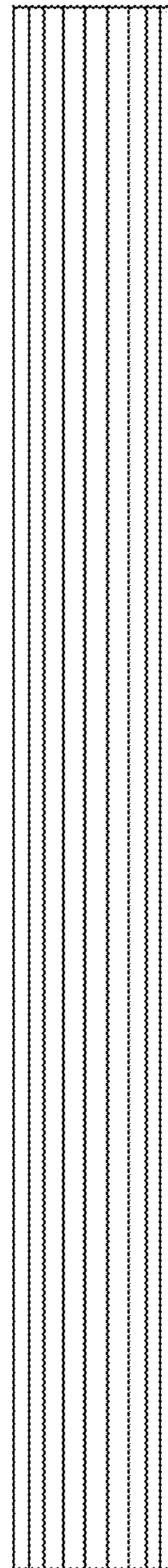
1 Claim, 7 Drawing Sheets



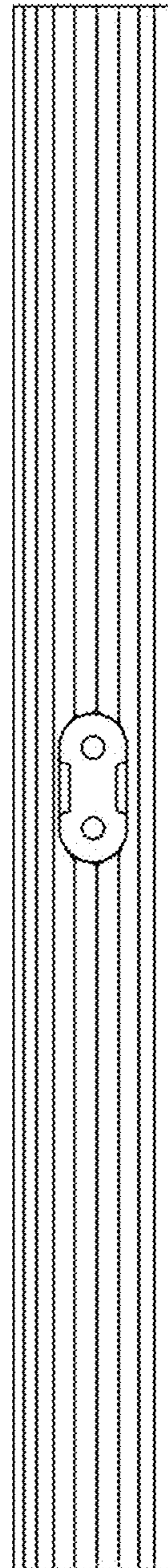
1.1



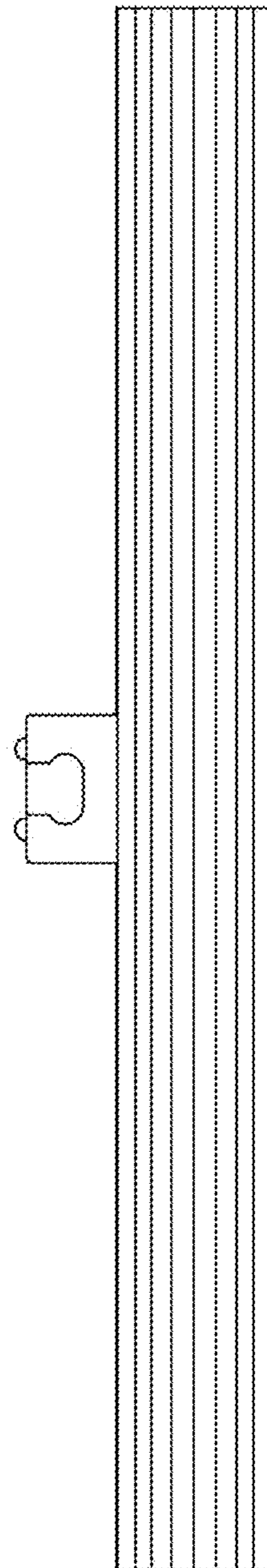
1.2



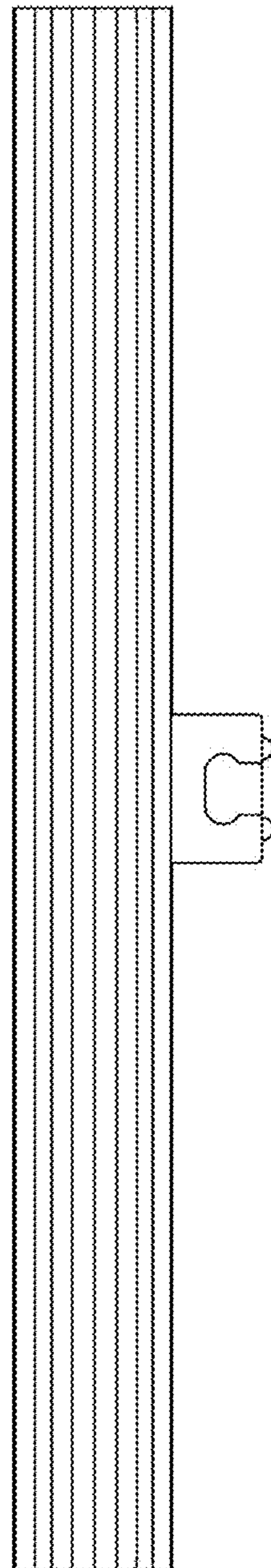
1.3



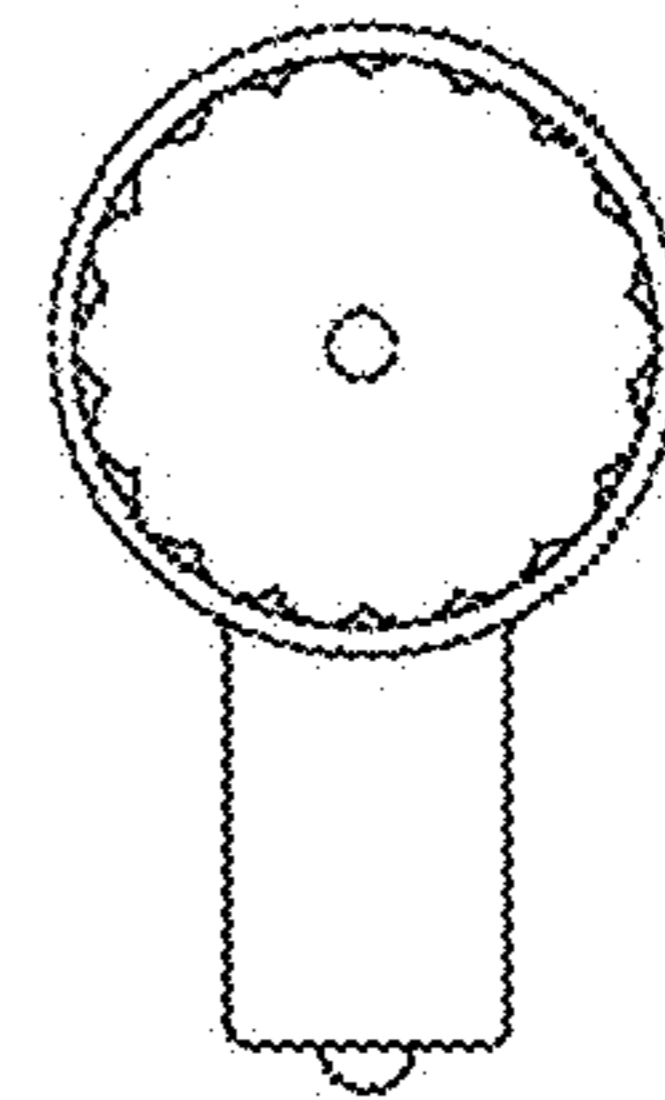
1.4



1.5



1.6



1.7

