



US00D895170S

(12) **United States Design Patent**
Zhang

(10) **Patent No.:** **US D895,170 S**

(45) **Date of Patent:** **** Sep. 1, 2020**

(54) **LED GARAGE LIGHT**

D822,868 S * 7/2018 Liu D26/71
D861,926 S * 10/2019 Lin D26/2
D887,610 S * 6/2020 Wei D26/63

(71) Applicant: **Shenzhen Zhongkenuo Trading Co., Ltd.**, Shenzhen (CN)

* cited by examiner

(72) Inventor: **Yueke Zhang**, Shijiazhuang (CN)

Primary Examiner — Marcus A Jackson

(**) Term: **15 Years**

(74) *Attorney, Agent, or Firm* — HYIP

(21) Appl. No.: **29/702,648**

(57) **CLAIM**

(22) Filed: **Aug. 21, 2019**

The ornamental design for an LED garage light, as shown and described.

(51) **LOC (12) Cl.** **26-04**

(52) **U.S. Cl.**
USPC **D26/2; D26/63**

DESCRIPTION

(58) **Field of Classification Search**
USPC D26/1-6, 63
CPC H01R 5/00; H01R 13/46; H01R 13/514;
H01R 31/048; H01R 31/02; H01J 5/00;
H01J 5/16; H01J 1/02; H01J 15/00; H01J
5/48; H01J 5/50; H01J 19/54; F21V 5/00;
F21K 9/00; F21K 13/00

FIG. 1 is a first perspective view of an LED garage light showing my design;
FIG. 2 is a second perspective view thereof;
FIG. 3 is a front view thereof;
FIG. 4 is a back view thereof;
FIG. 5 is a left side view thereof;
FIG. 6 is a right side view thereof;
FIG. 7 is a top view thereof; and,
FIG. 8 is a bottom view thereof.

See application file for complete search history.

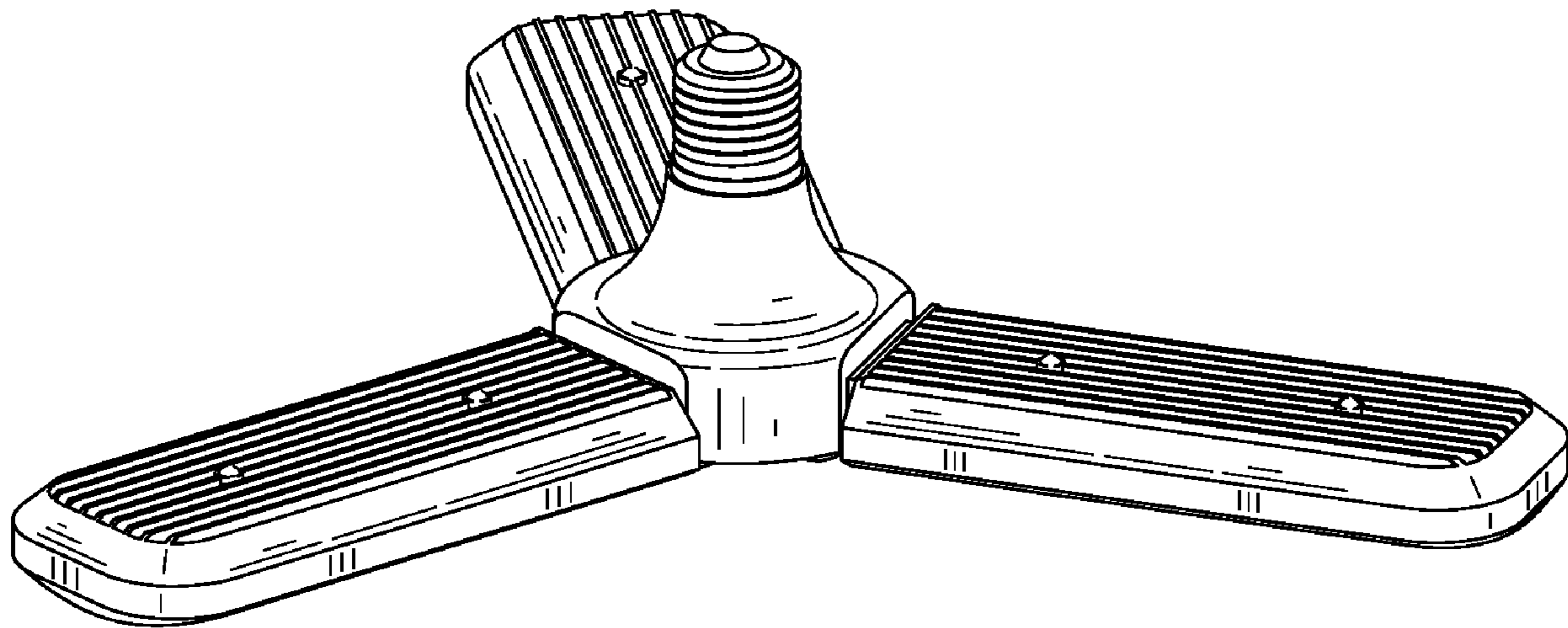
The broken lines shown in the drawings depict portions of the LED garage light in which the design is embodied that form no part of the claimed design.

(56) **References Cited**

U.S. PATENT DOCUMENTS

D690,859 S * 10/2013 Mollaghaffari D26/63
D770,657 S * 11/2016 Fang D26/63

1 Claim, 8 Drawing Sheets



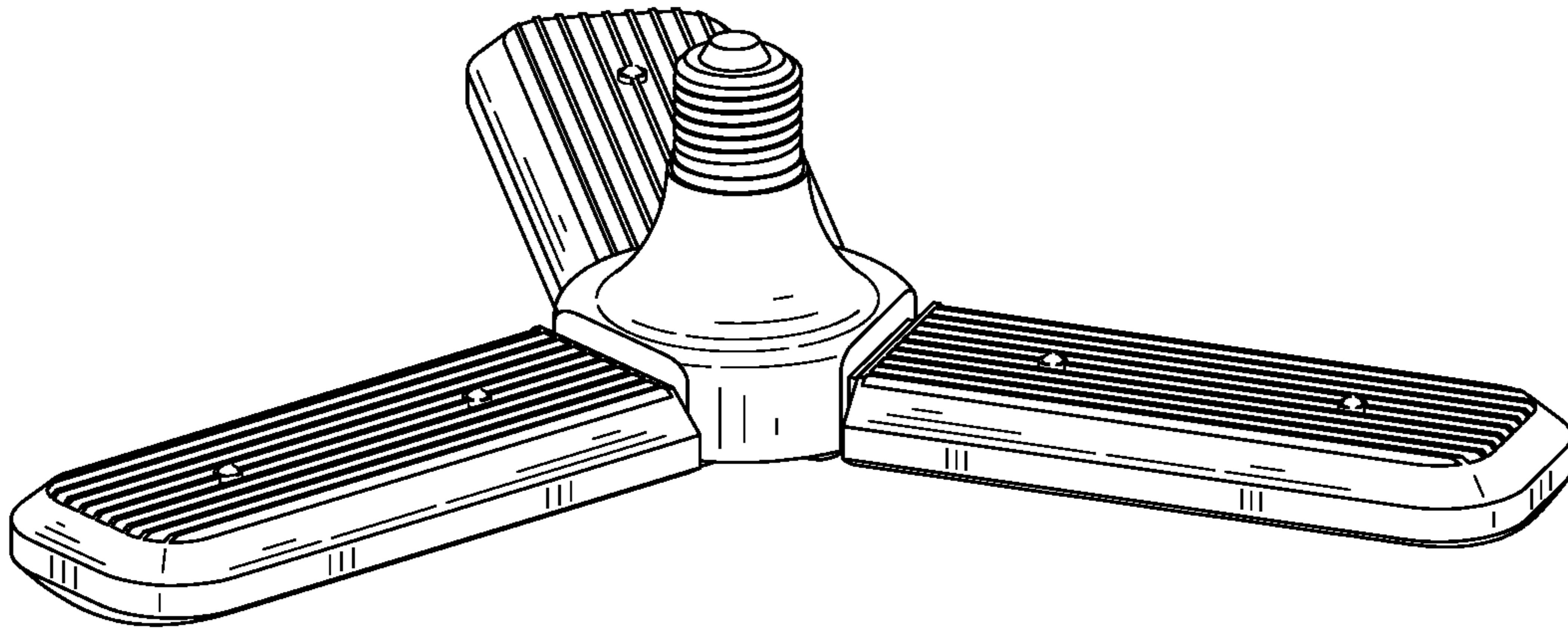


FIG. 1

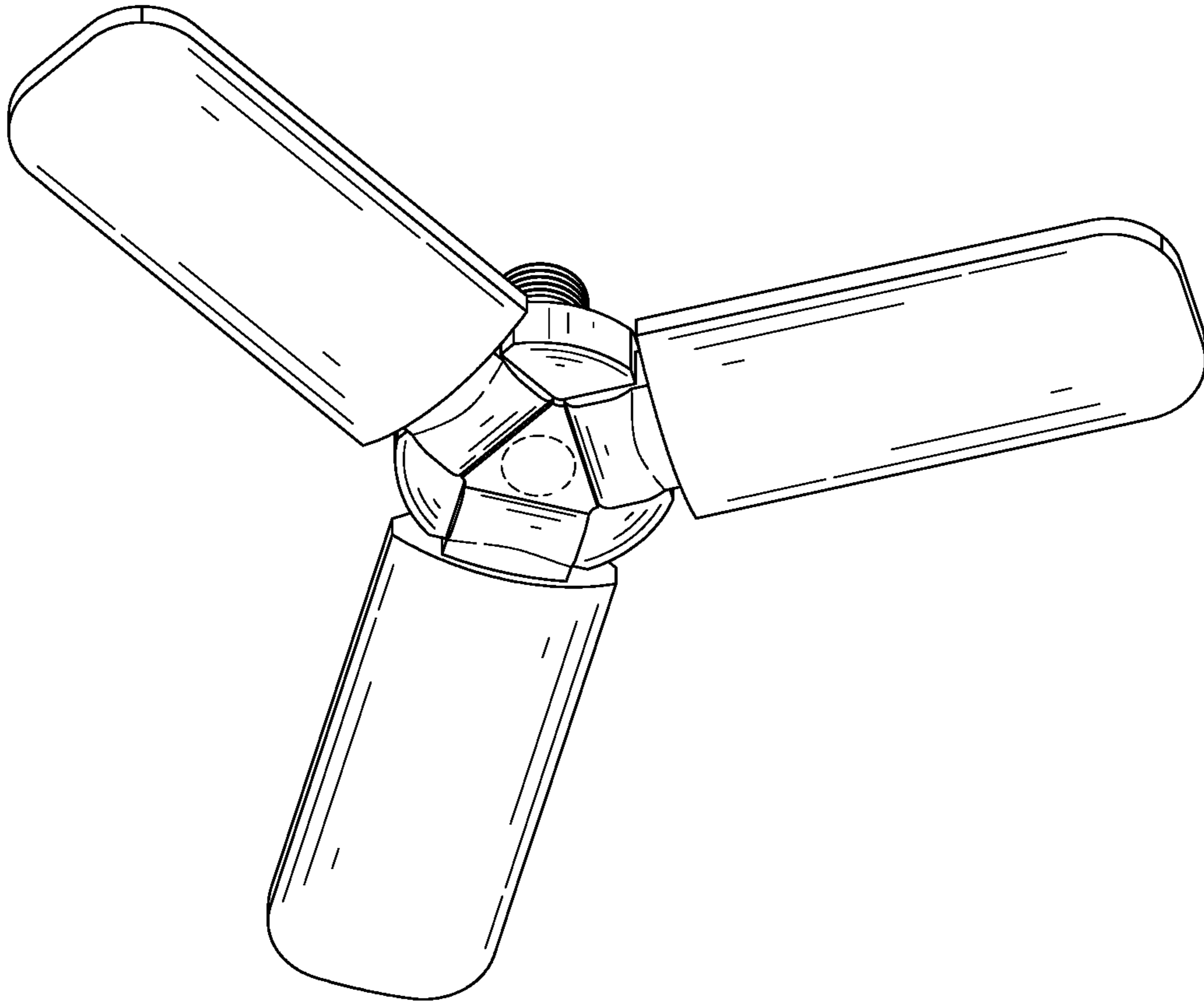


FIG. 2

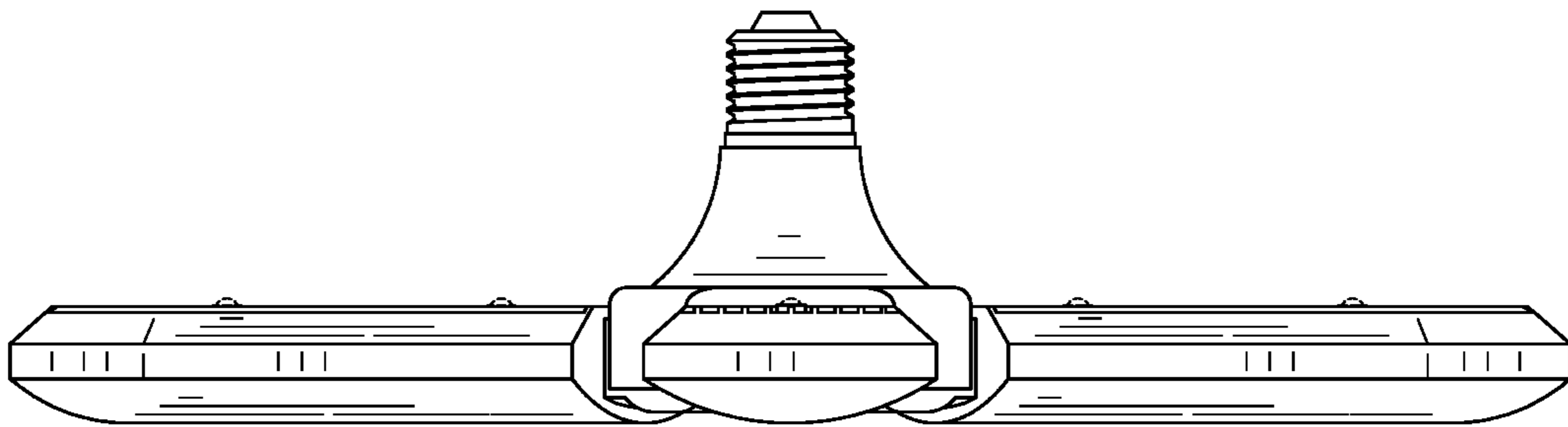


FIG. 3

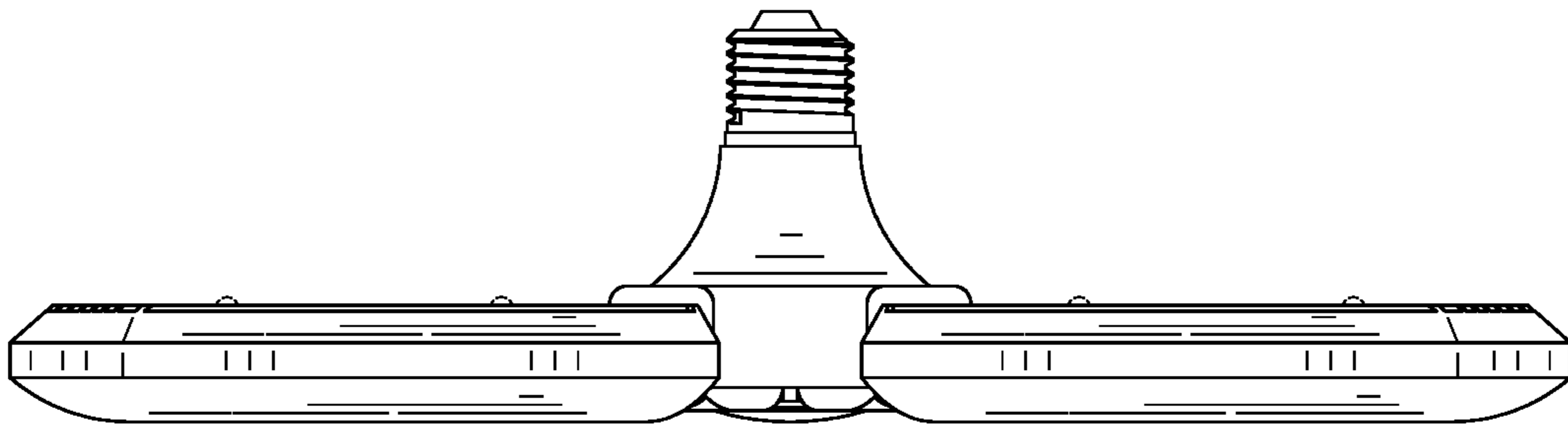


FIG. 4

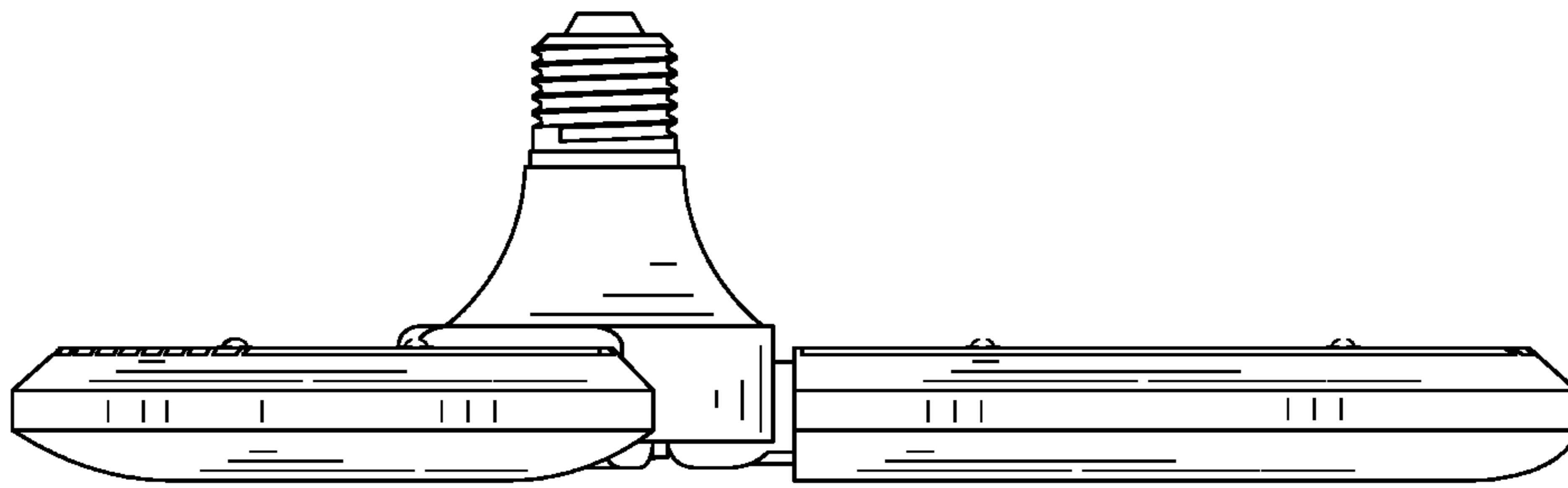


FIG. 5

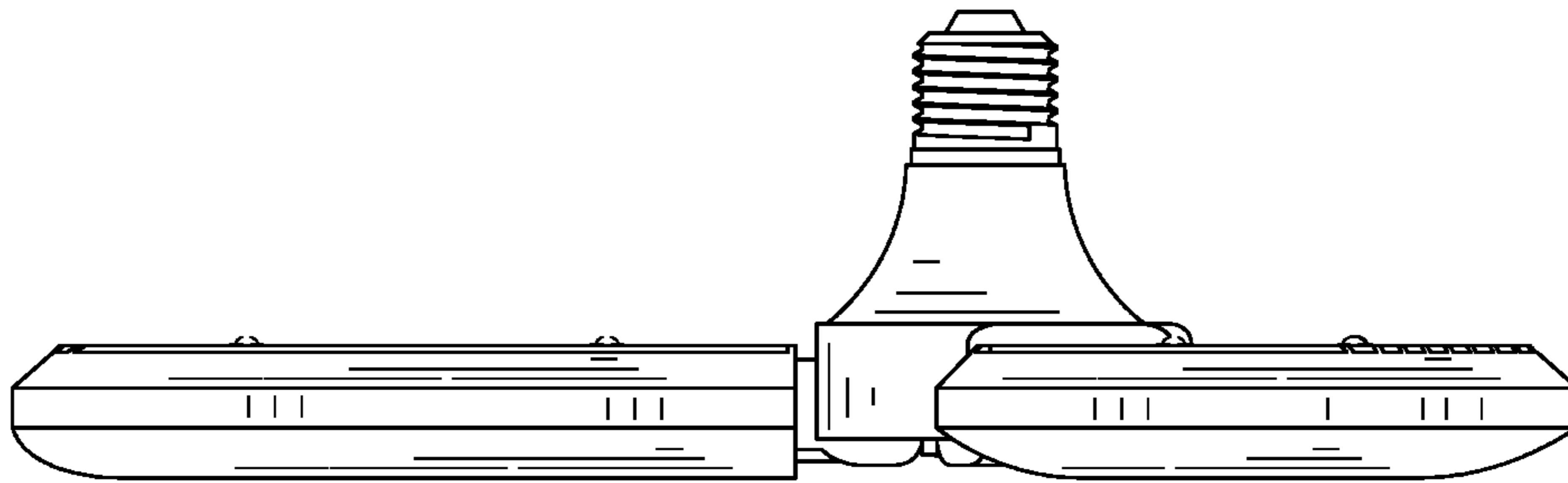


FIG. 6

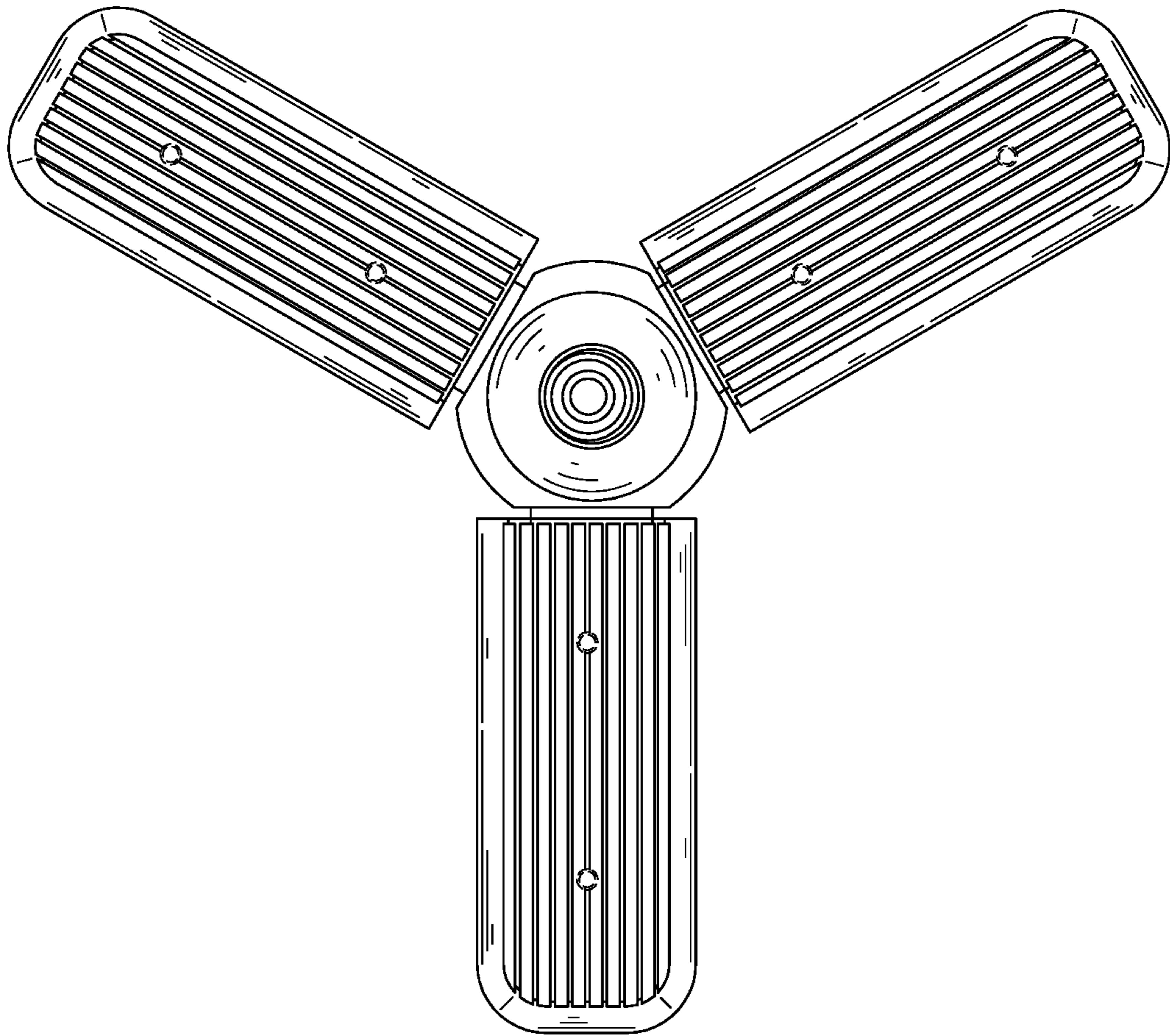


FIG. 7

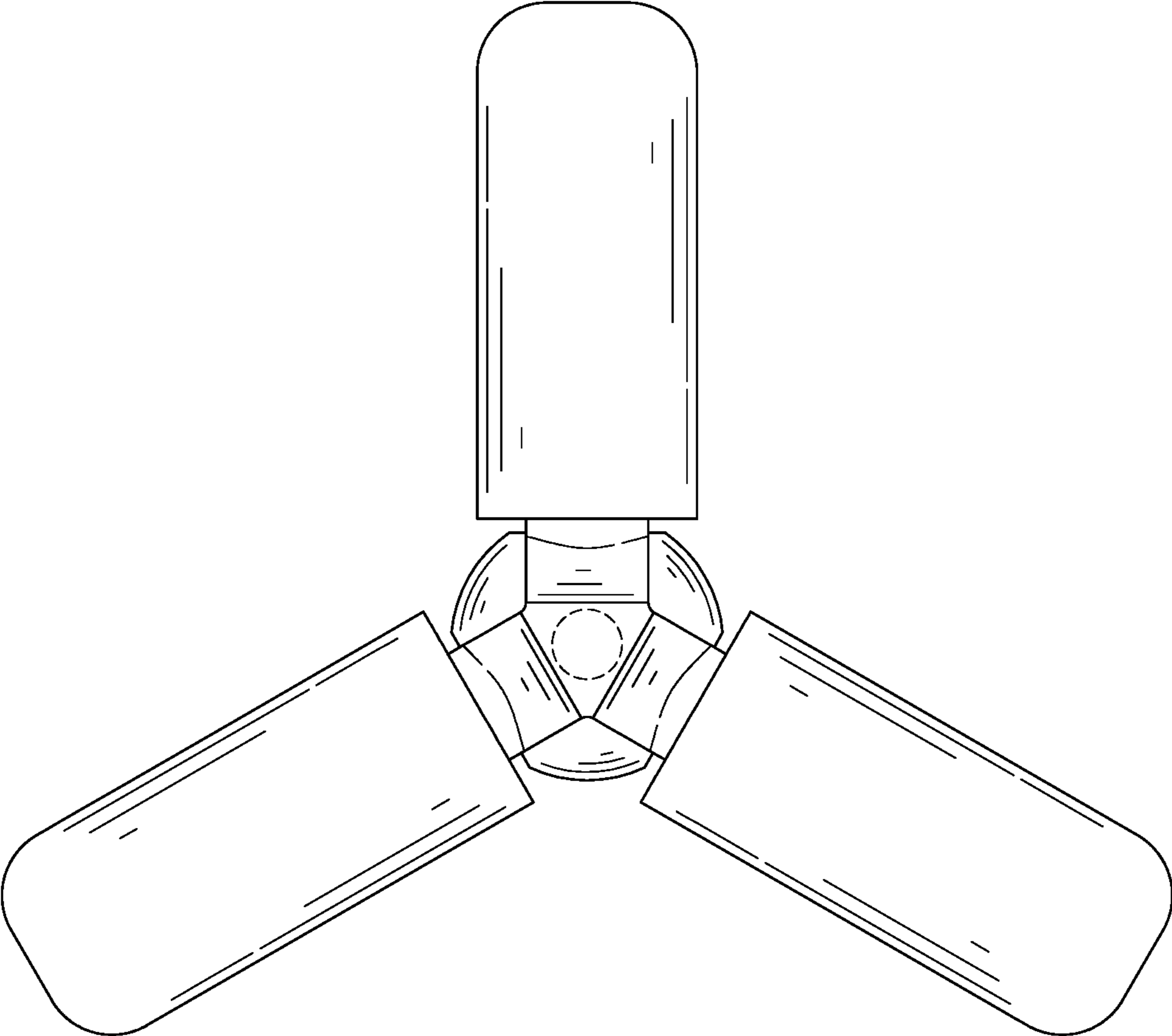


FIG. 8