



US00D895169S

(12) **United States Design Patent** (10) **Patent No.:** **US D895,169 S**
Yang (45) **Date of Patent:** **** Sep. 1, 2020**

(54) **LIGHT BULB**

(71) Applicant: **Jianhui Yang**, Shenzhen (CN)

(72) Inventor: **Jianhui Yang**, Shenzhen (CN)

(**) Term: **15 Years**

(21) Appl. No.: **29/687,774**

(22) Filed: **Apr. 16, 2019**

(51) **LOC (12) Cl.** **26-04**

(52) **U.S. Cl.**
USPC **D26/2**

(58) **Field of Classification Search**

USPC D26/1-4

CPC H01R 5/00; H01R 13/46; H01R 13/514;

H01R 31/048; H01R 31/02; H01J 5/00;

H01J 5/16; H01J 1/02; H01J 15/00; H01J

5/48; H01J 5/50; H01J 19/54; F21V 5/00;

F21K 9/13; F21K 9/135; F21K 9/1375

See application file for complete search history.

(56) **References Cited**

U.S. PATENT DOCUMENTS

D479,886 S * 9/2003 Kakuno D26/2

D480,486 S * 10/2003 Kakuno D26/2

D531,741 S * 11/2006 Takahashi D26/2

D549,360 S * 8/2007 An D26/2

D662,625 S * 6/2012 Yamamoto D26/2

D673,699 S * 1/2013 Yao D26/2

* cited by examiner

Primary Examiner — Marcus A Jackson

(74) *Attorney, Agent, or Firm* — WPAT, PC

(57) **CLAIM**

The ornamental design for a light bulb, as shown and described.

DESCRIPTION

FIG. 1 is a perspective view of a light bulb, showing the new design;

FIG. 2 is a front view thereof;

FIG. 3 is a rear view thereof;

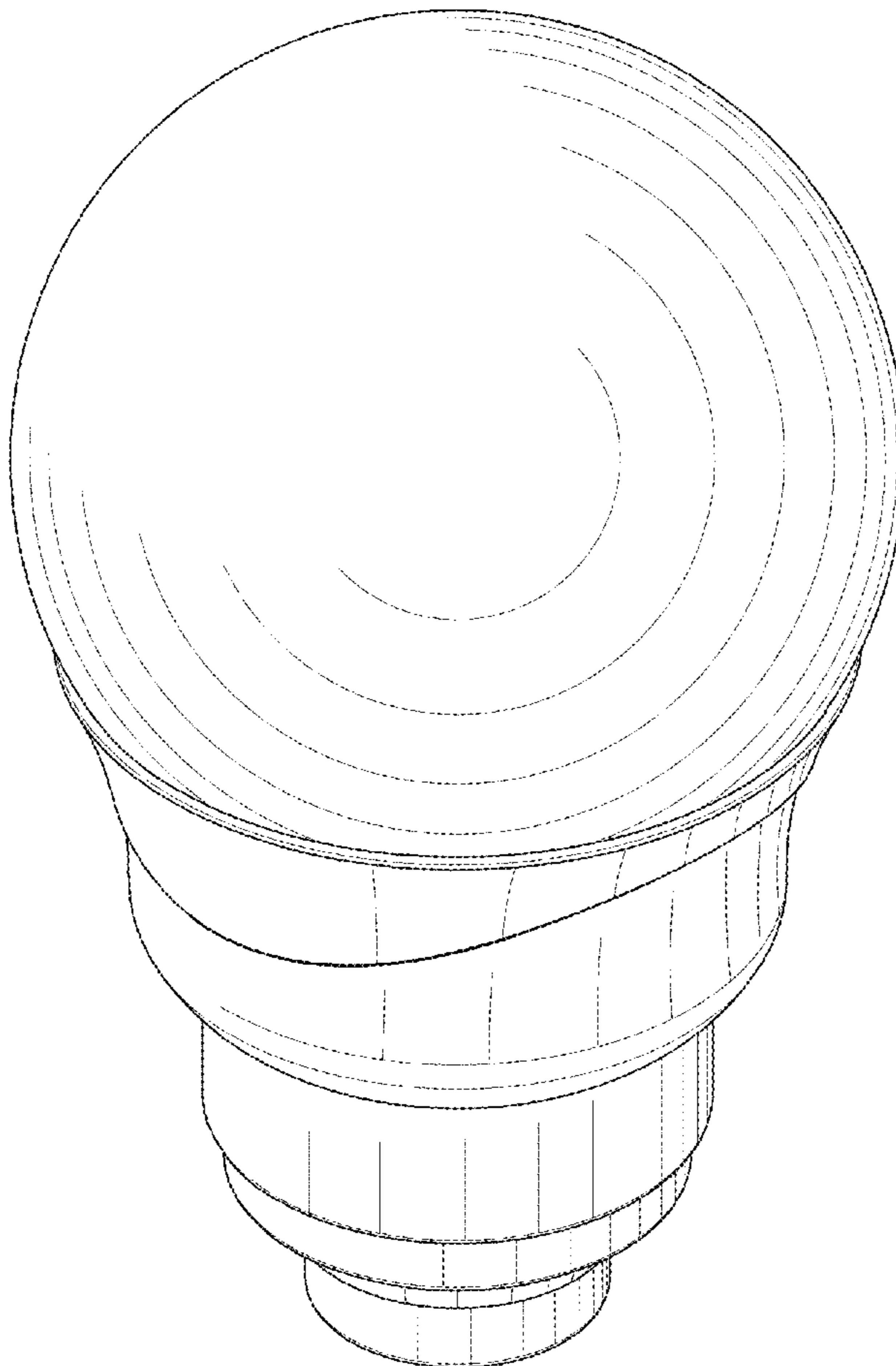
FIG. 4 is a left-side view thereof;

FIG. 5 is a right-side view thereof;

FIG. 6 is a top view thereof; and,

FIG. 7 is a bottom view thereof.

1 Claim, 7 Drawing Sheets



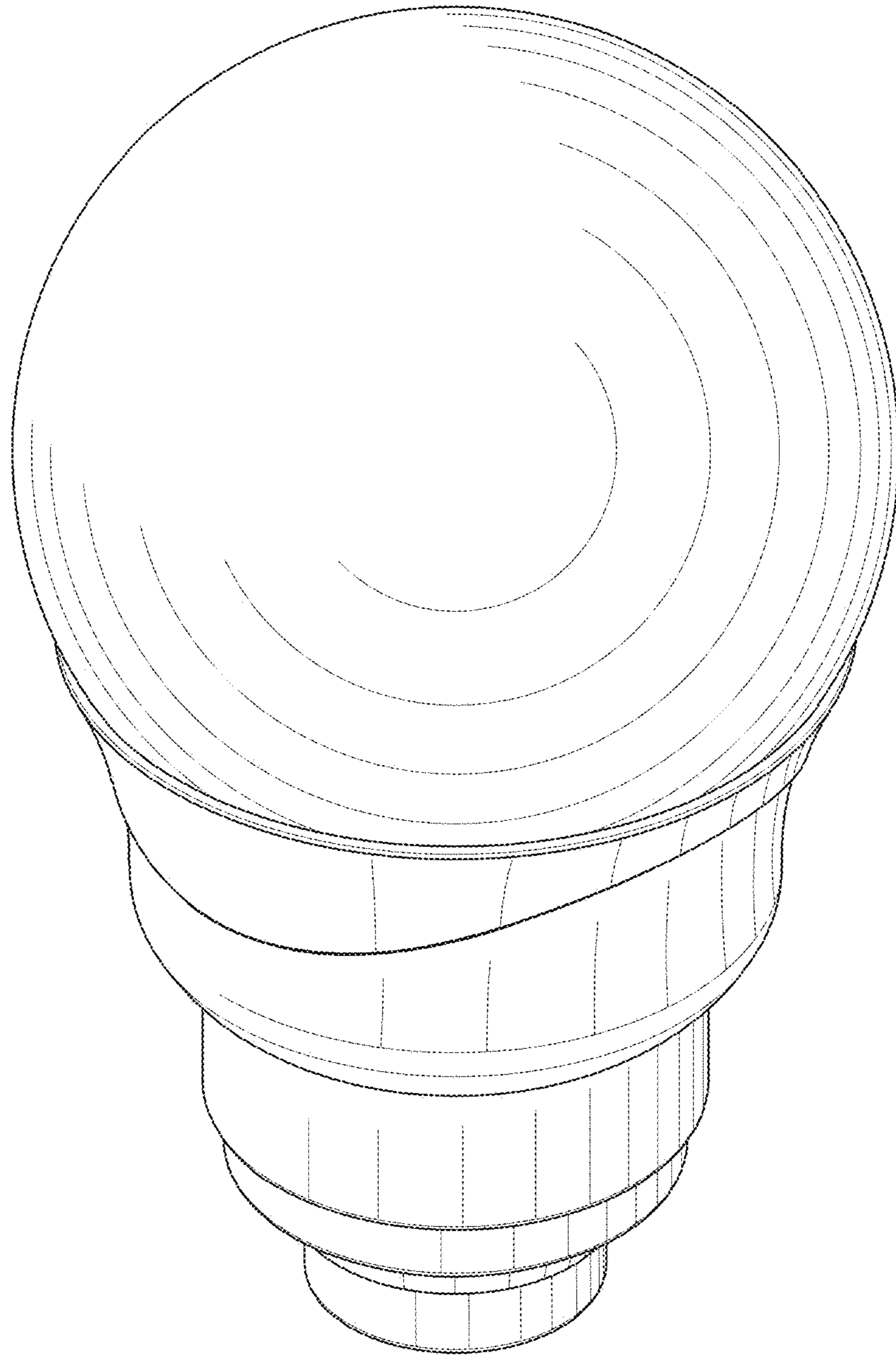


FIG. 1

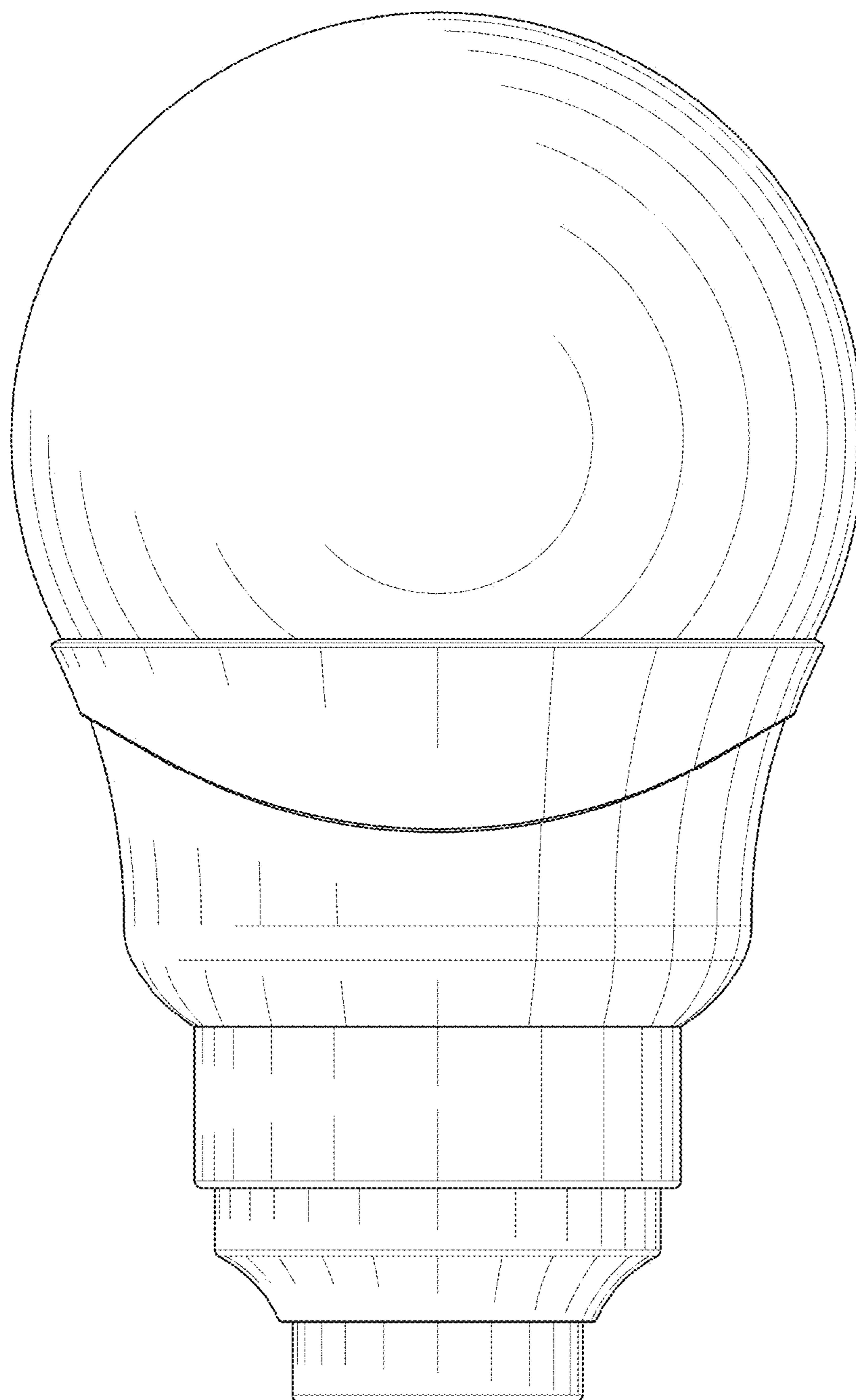


FIG. 2

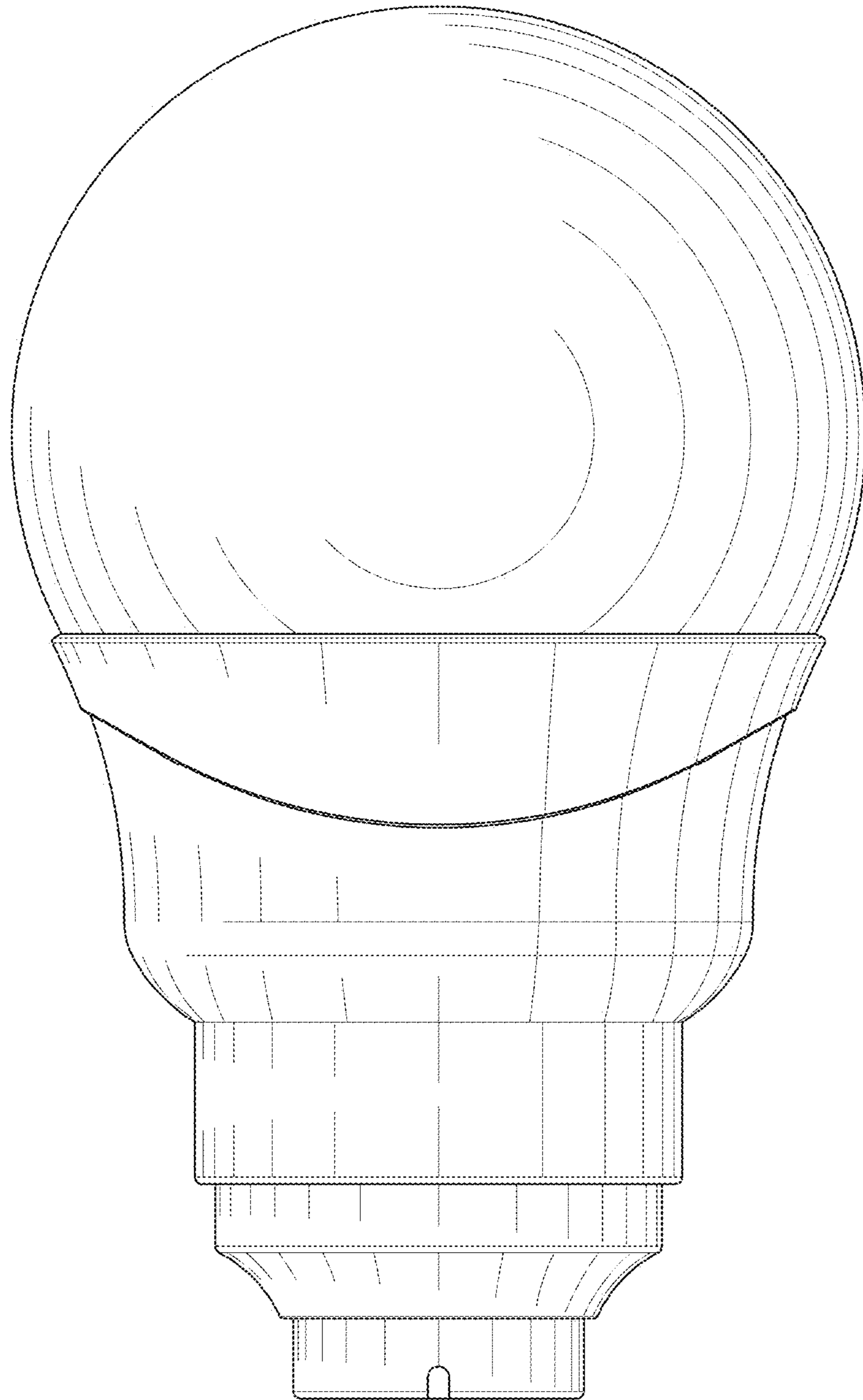


FIG. 3

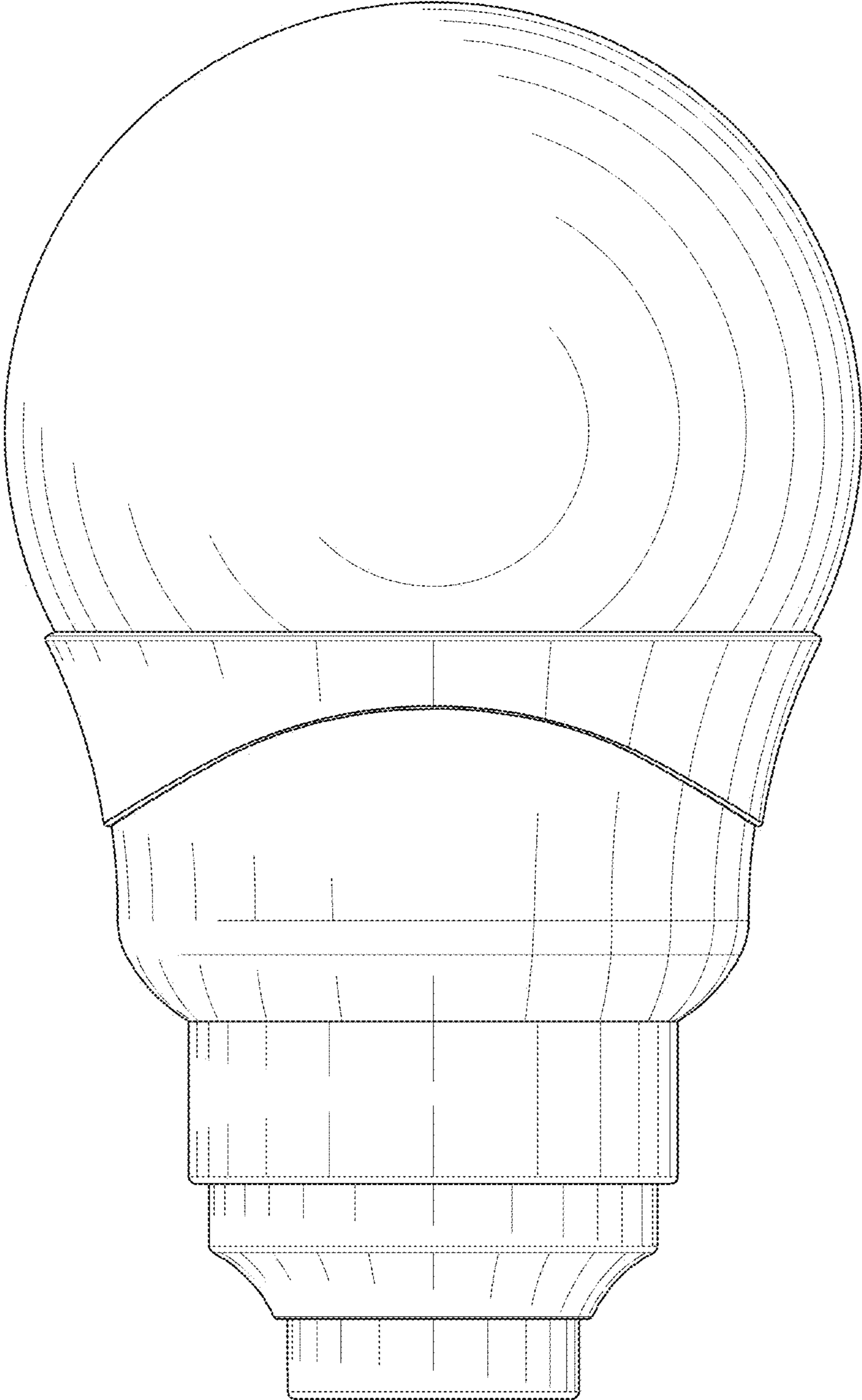


FIG. 4

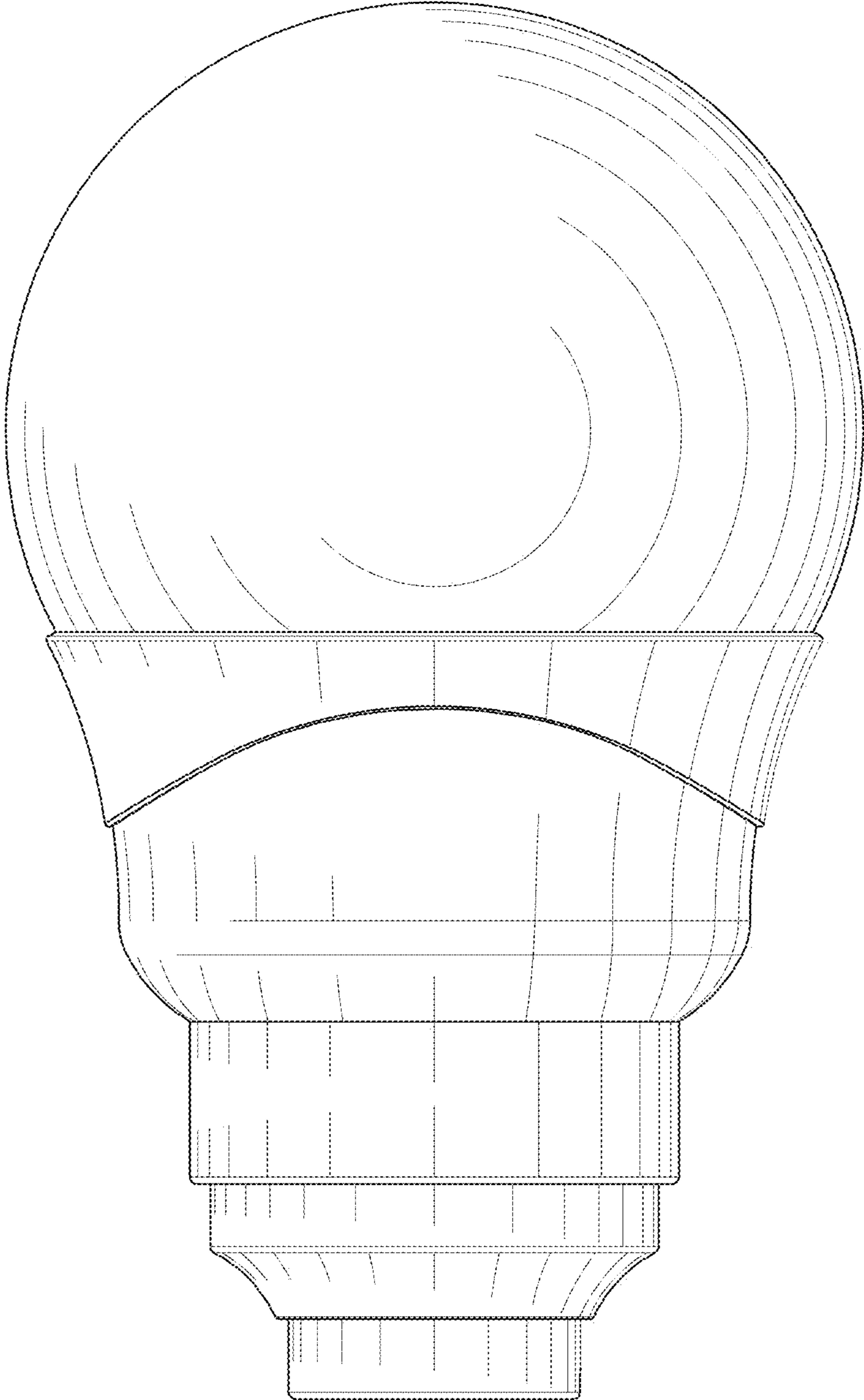


FIG. 5

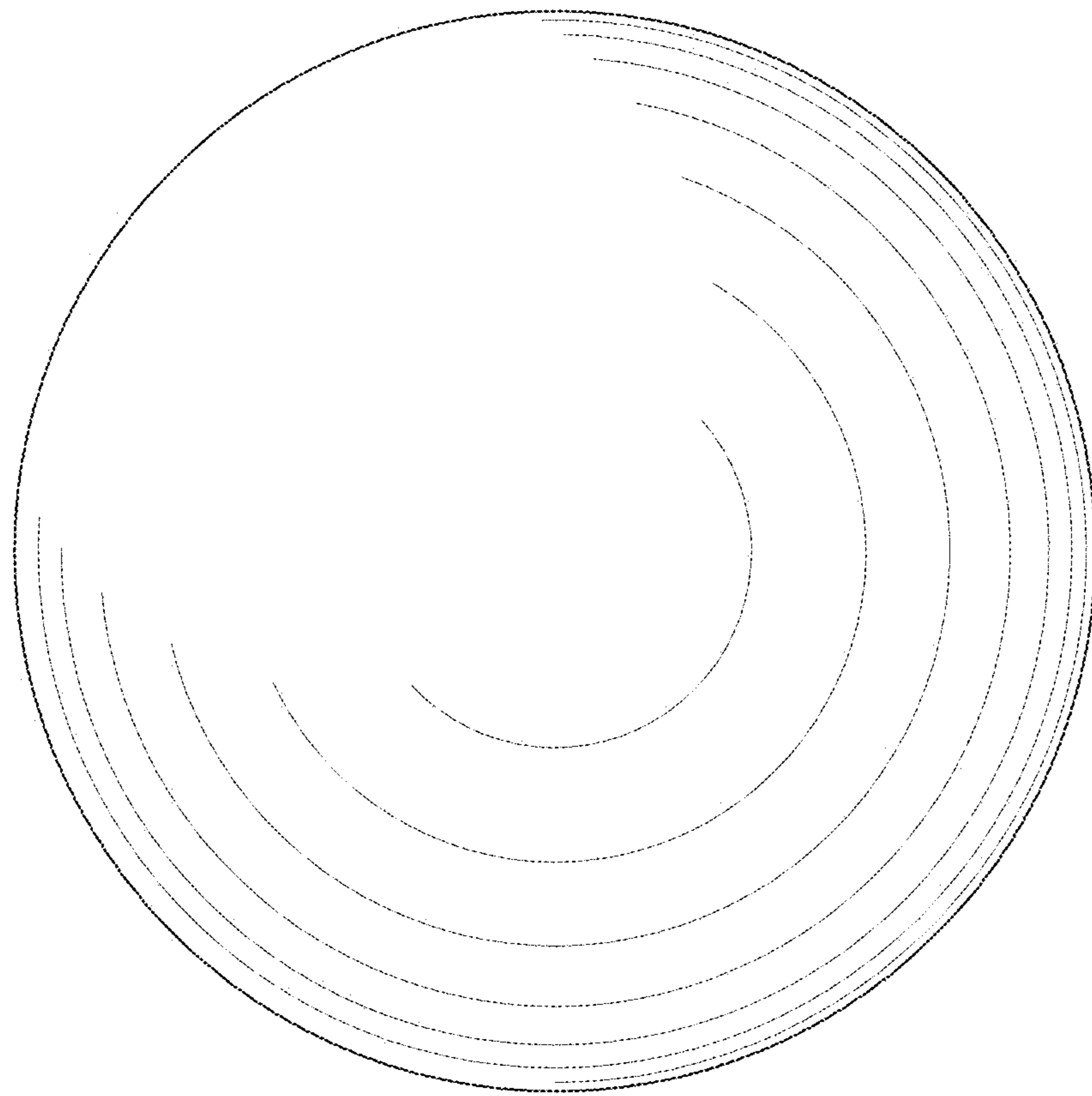


FIG. 6

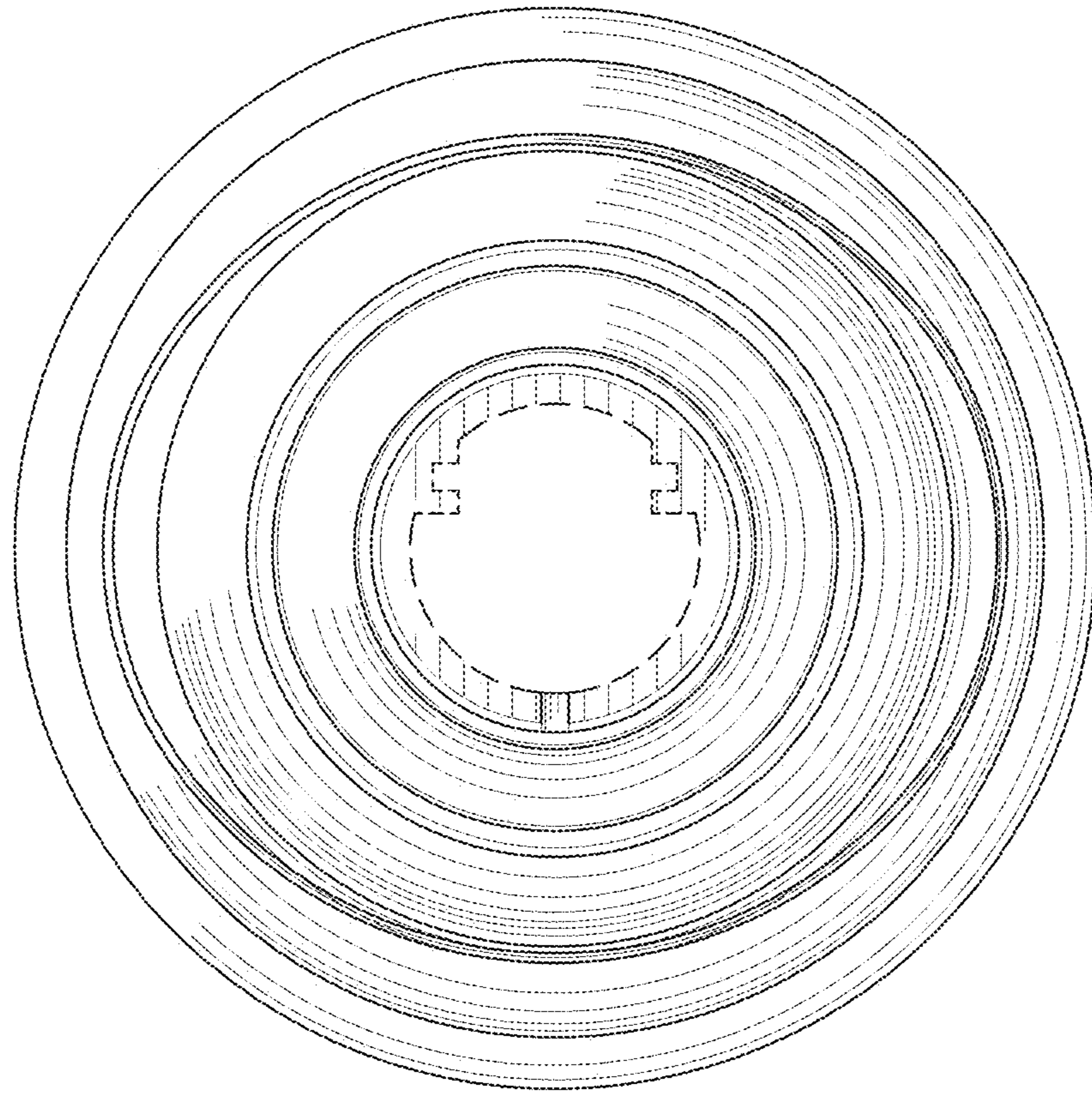


FIG. 7