

US00D895167S

(12) **United States Design Patent** (10) **Patent No.:** **US D895,167 S**
Kuppens et al. (45) **Date of Patent:** **** Sep. 1, 2020**

(54) **LED BULB**

(56) **References Cited**

(71) Applicant: **SIGNIFY HOLDING B.V.**, Eindhoven (NL)

U.S. PATENT DOCUMENTS

(72) Inventors: **Simon Jacobus Maria Kuppens**, Geldrop (NL); **Liesbet Wind**, Nijmegen (NL)

D543,288 S *	5/2007	Bembridge	D26/2
D544,109 S *	6/2007	Tsuruha	D26/2
D558,904 S *	1/2008	Tsuruha	D26/2
D579,130 S *	10/2008	Hernandez, Jr.	D26/2
D646,808 S *	10/2011	Shi	D26/2

(73) Assignee: **SIGNIFY HOLDING B.V.**, Eindhoven (NL)

* cited by examiner

(**) Term: **15 Years**

Primary Examiner — Marcus A Jackson

(21) Appl. No.: **29/684,435**

(74) *Attorney, Agent, or Firm* — Daniel J. Piotrowski

(22) Filed: **Mar. 21, 2019**

(57) **CLAIM**

The ornamental design for a LED bulb, as shown and described.

(30) **Foreign Application Priority Data**

DESCRIPTION

Sep. 25, 2018 (EM) 005658523-0001

(51) **LOC (12) Cl.** **26-04**

(52) **U.S. Cl.**
USPC **D26/2**

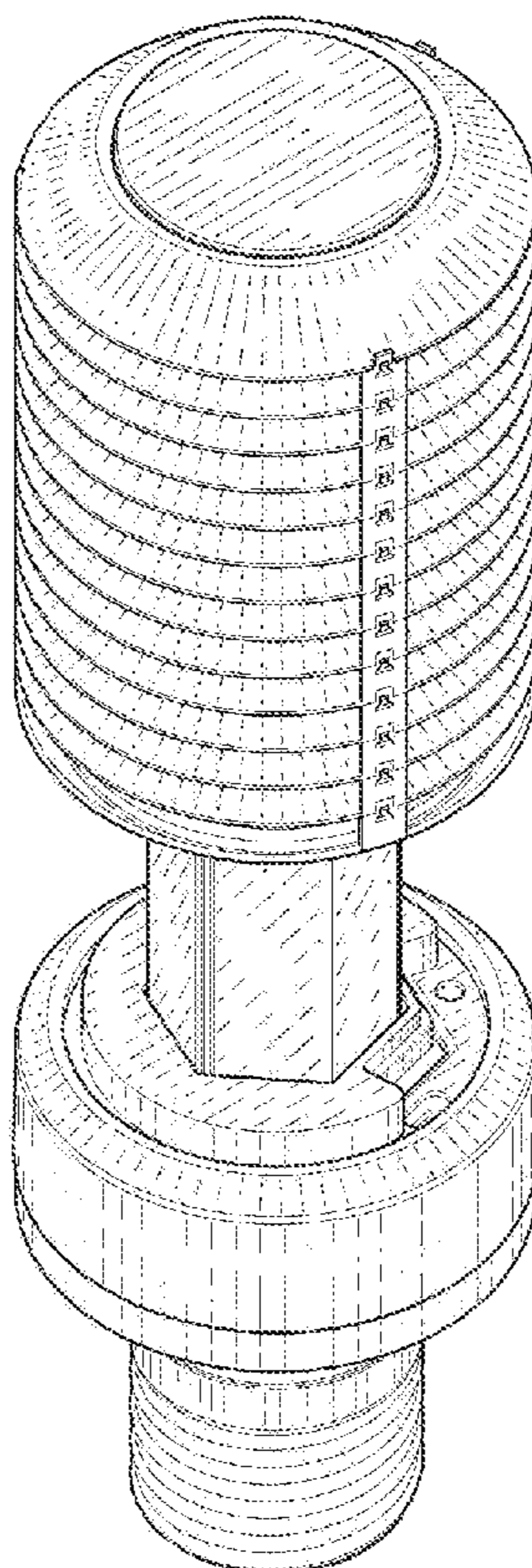
(58) **Field of Classification Search**
USPC D26/1-4
CPC H01R 5/00; H01R 13/46; H01R 13/514;
H01R 31/048; H01R 31/02; H01J 5/00;
H01J 5/16; H01J 1/02; H01J 15/00; H01J
5/48; H01J 5/50; H01J 19/54; F21V 5/00;
F21K 9/13; F21K 9/135; F21K 9/1375

FIG. 1.1 is a perspective view showing my design;
FIG. 1.2 is a front elevational view thereof;
FIG. 1.3 is a rear elevational view thereof;
FIG. 1.4 is a right side elevational view thereof;
FIG. 1.5 is a left side elevational view thereof;
FIG. 1.6 is a top plan view thereof; and,
FIG. 1.7 is a bottom plan view thereof.

The LED bulb of the present invention may be coupled with one or more power cables or brackets which are depicted in broken lines and form no part of the design.

See application file for complete search history.

1 Claim, 4 Drawing Sheets



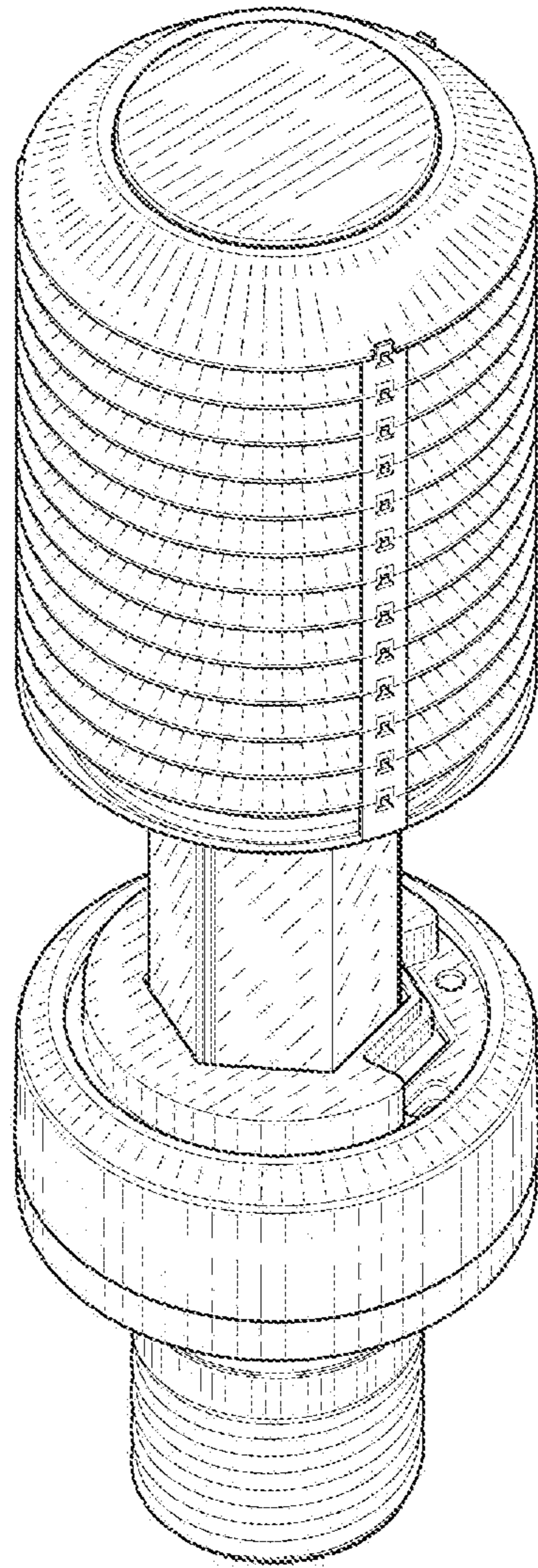


FIG. 1

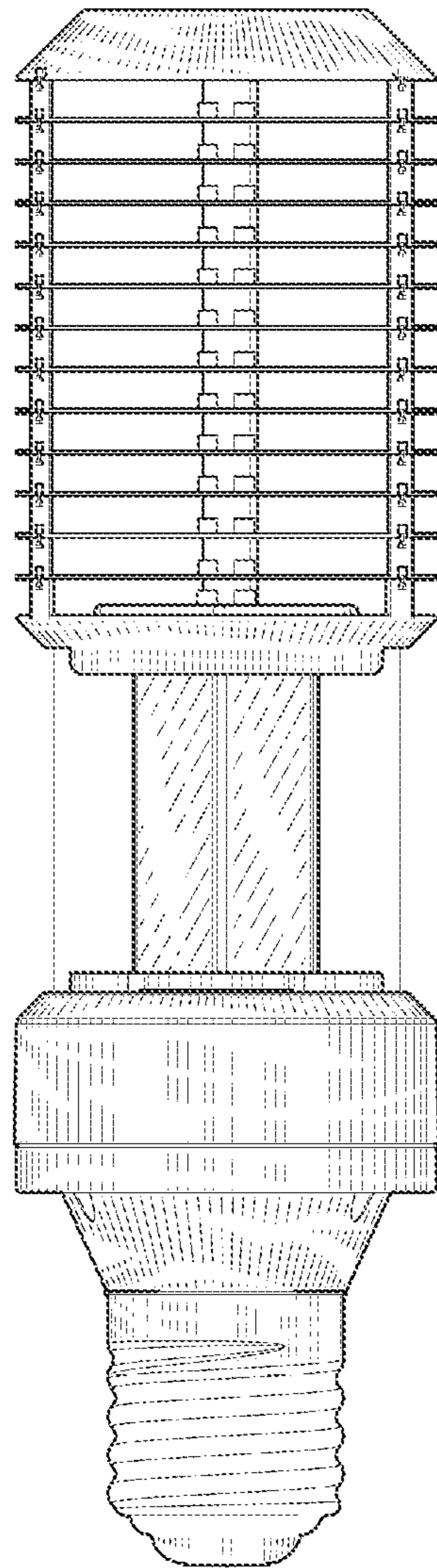


FIG. 2

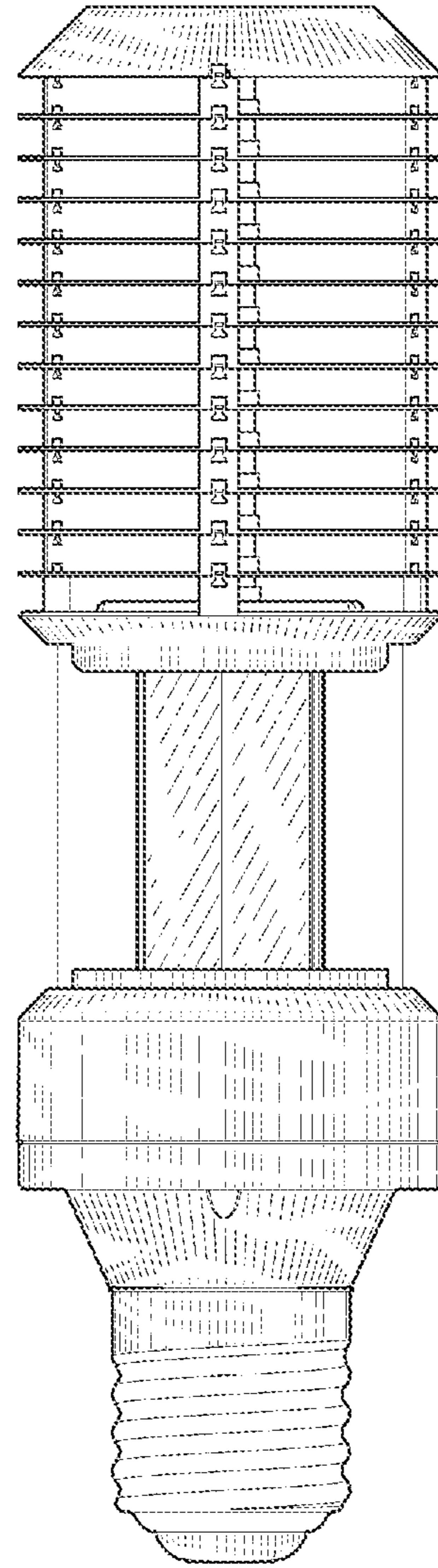


FIG. 3

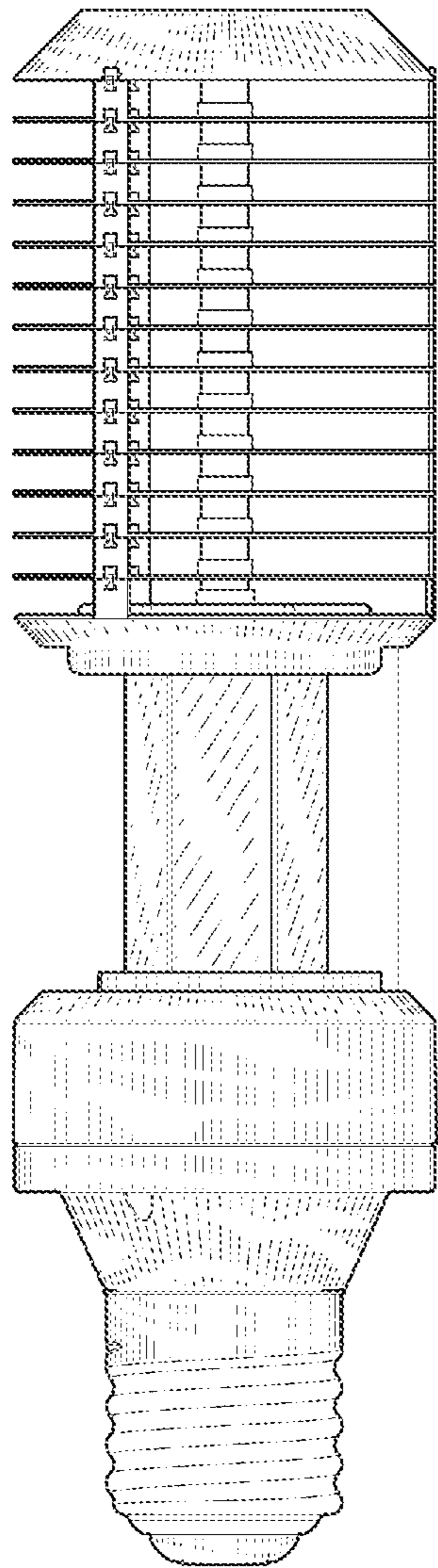


FIG. 4

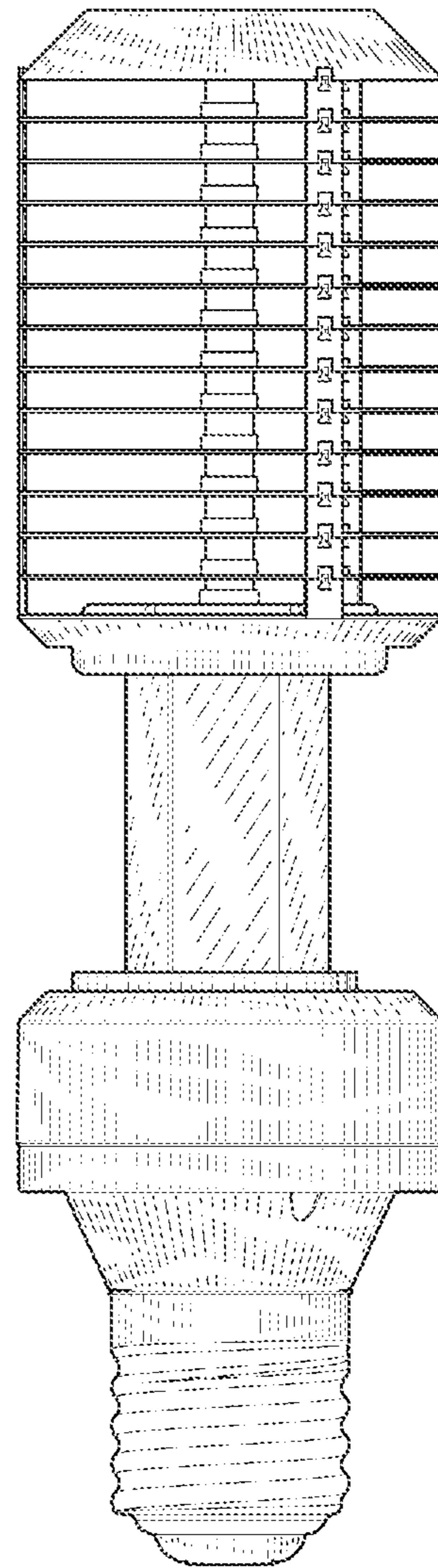


FIG. 5

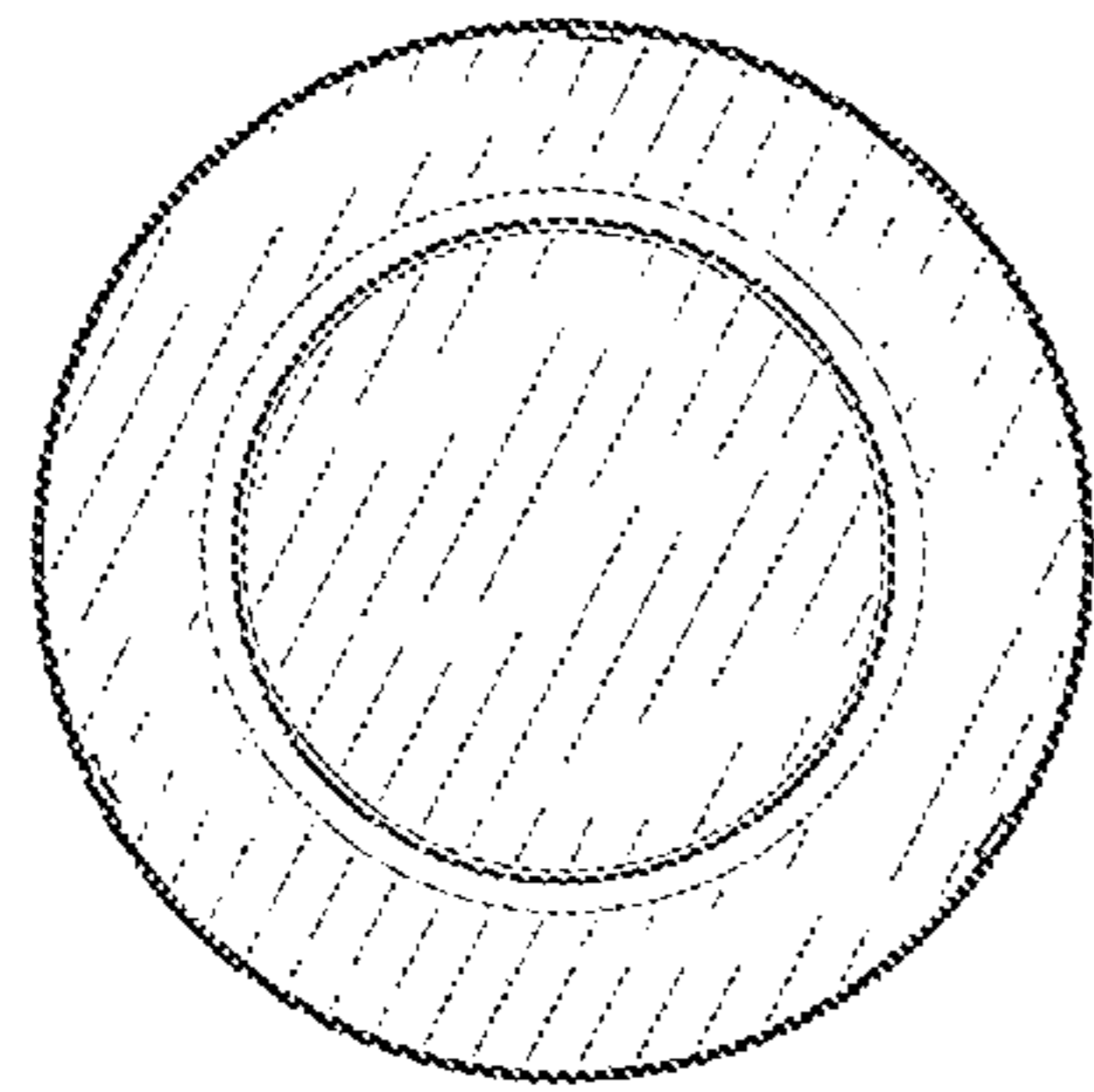


FIG. 6

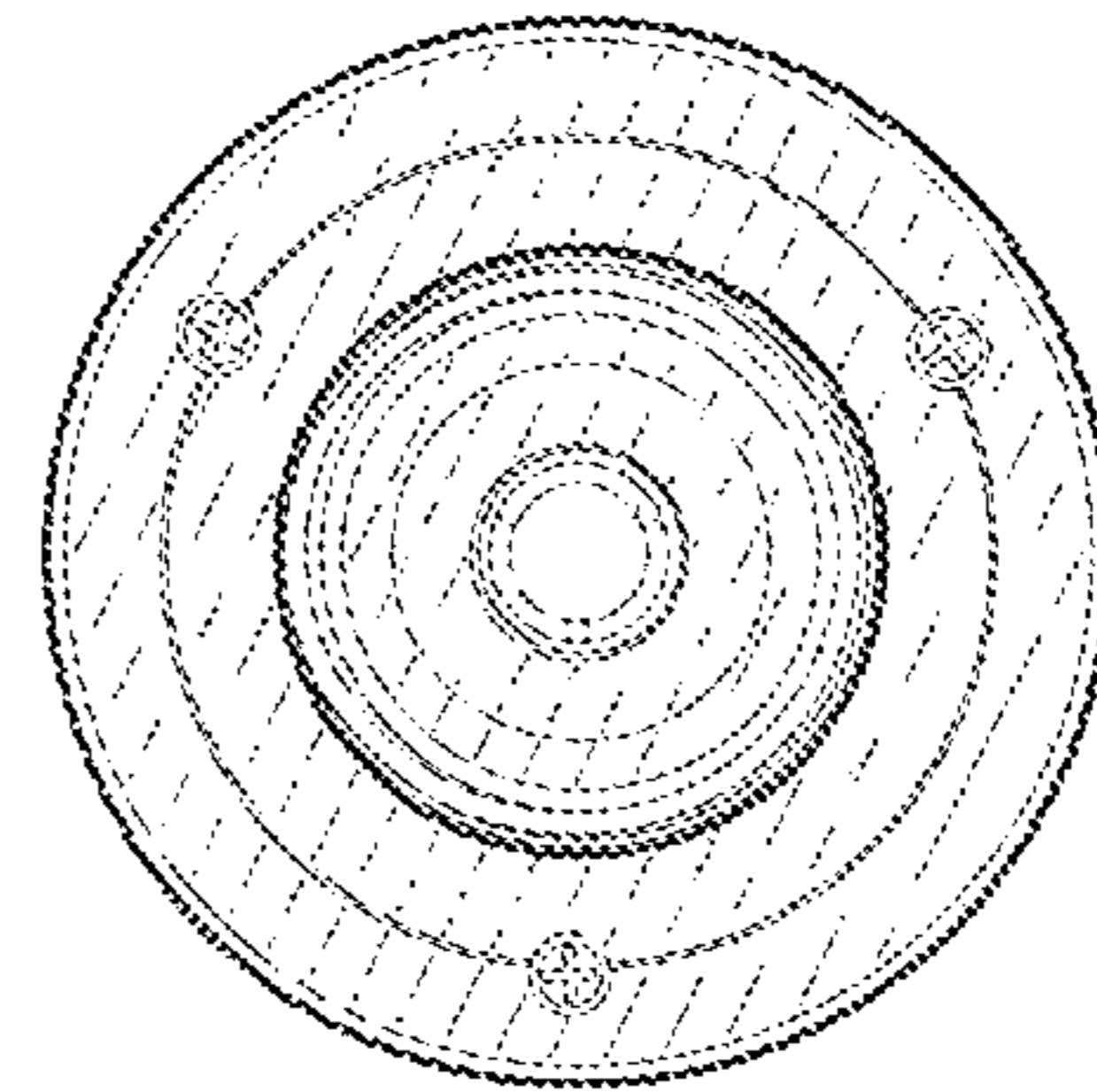


FIG. 7