



US00D895166S

(12) **United States Design Patent**
Mo et al.

(10) **Patent No.:** **US D895,166 S**

(45) **Date of Patent:** **** Sep. 1, 2020**

(54) **LED BULB**

(71) Applicant: **Lumileds Holding B.V.**, Schiphol (NL)

(72) Inventors: **Xiao Fang Mo**, Shanghai (CN); **Ying Huang**, Shanghai (CN); **Bao Wang**, Shanghai (CN); **Jimmy Xiao**, Shanghai (CN); **Song Yang**, Shanghai (CN)

(73) Assignee: **LUMILEDS HOLDING B.V.**, Schiphol (NL)

(**) Term: **15 Years**

(21) Appl. No.: **29/683,154**

(22) Filed: **Mar. 11, 2019**

(51) **LOC (12) Cl.** **26-04**

(52) **U.S. Cl.**
USPC **D26/2; D26/28**

(58) **Field of Classification Search**
USPC D26/1-4
CPC H01R 5/00; H01R 13/514; H01R 13/46; H01R 31/048; H01R 31/02; H01J 5/00; H01J 5/16; H01J 1/02; H01J 15/00; H01J 5/48; H01J 5/50; H01J 19/54; F21V 5/00; F21K 9/13; F21K 9/135; F21K 9/1375

See application file for complete search history.

(56) **References Cited**

U.S. PATENT DOCUMENTS

D392,057 S *	3/1998	Chen	D26/2
D405,201 S *	2/1999	Lodhie	D26/2
D426,899 S *	6/2000	Au Yeng	D26/2
D543,644 S *	5/2007	Bembridge	D26/2
D689,219 S *	9/2013	Zhang	D26/2

* cited by examiner

Primary Examiner — Marcus A Jackson

(74) *Attorney, Agent, or Firm* — Seyfarth Shaw LLP

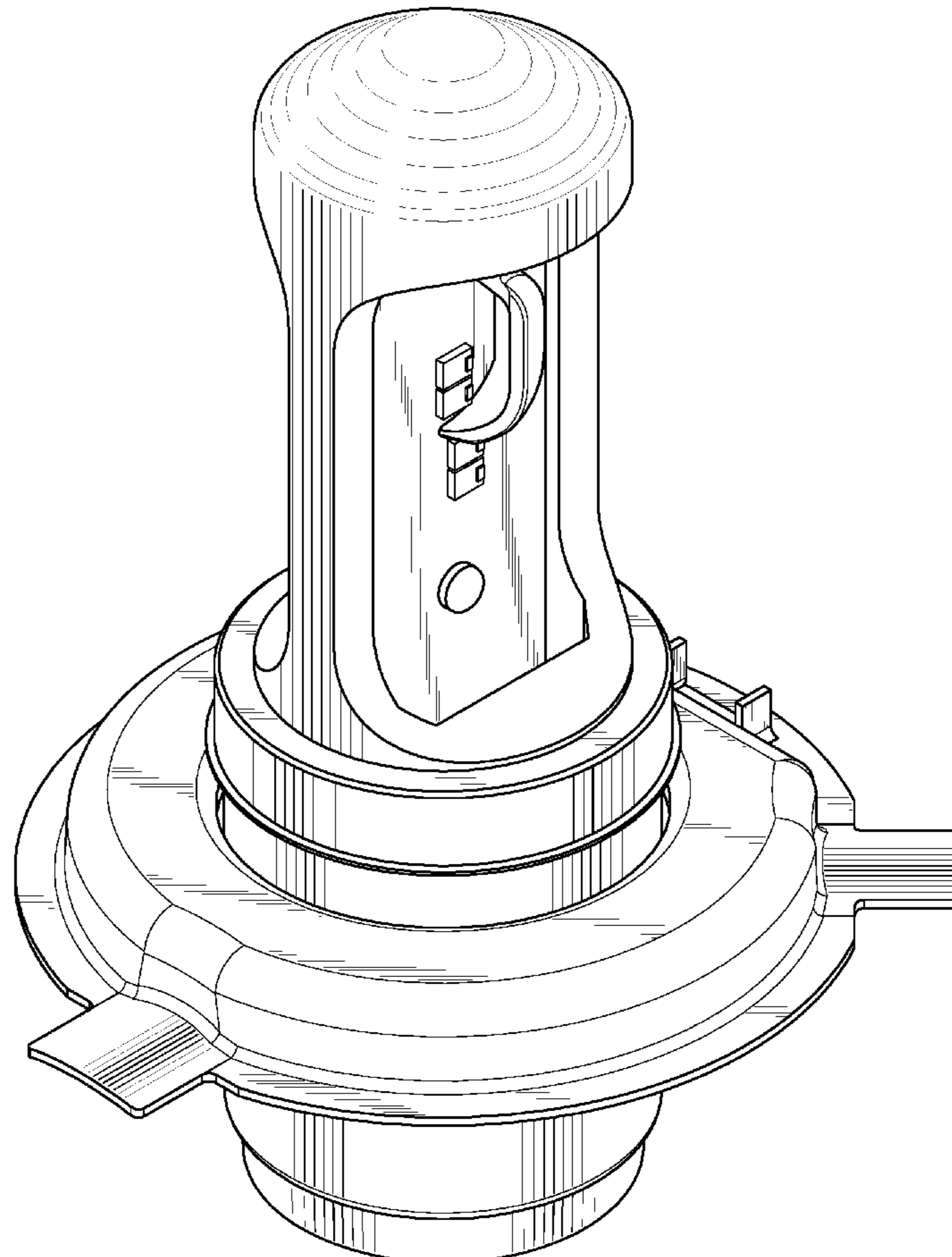
(57) **CLAIM**

The ornamental design for an LED Bulb, as shown and described.

DESCRIPTION

FIG. 1 is a perspective view of an LED Bulb in accordance with our design;
FIG. 2 is a front elevation view thereof;
FIG. 3 is a rear elevation view thereof;
FIG. 4 is a left-side elevation view thereof;
FIG. 5 is a right-side elevation view thereof;
FIG. 6 is a top plan view thereof; and,
FIG. 7 is a bottom plan view thereof.

1 Claim, 7 Drawing Sheets



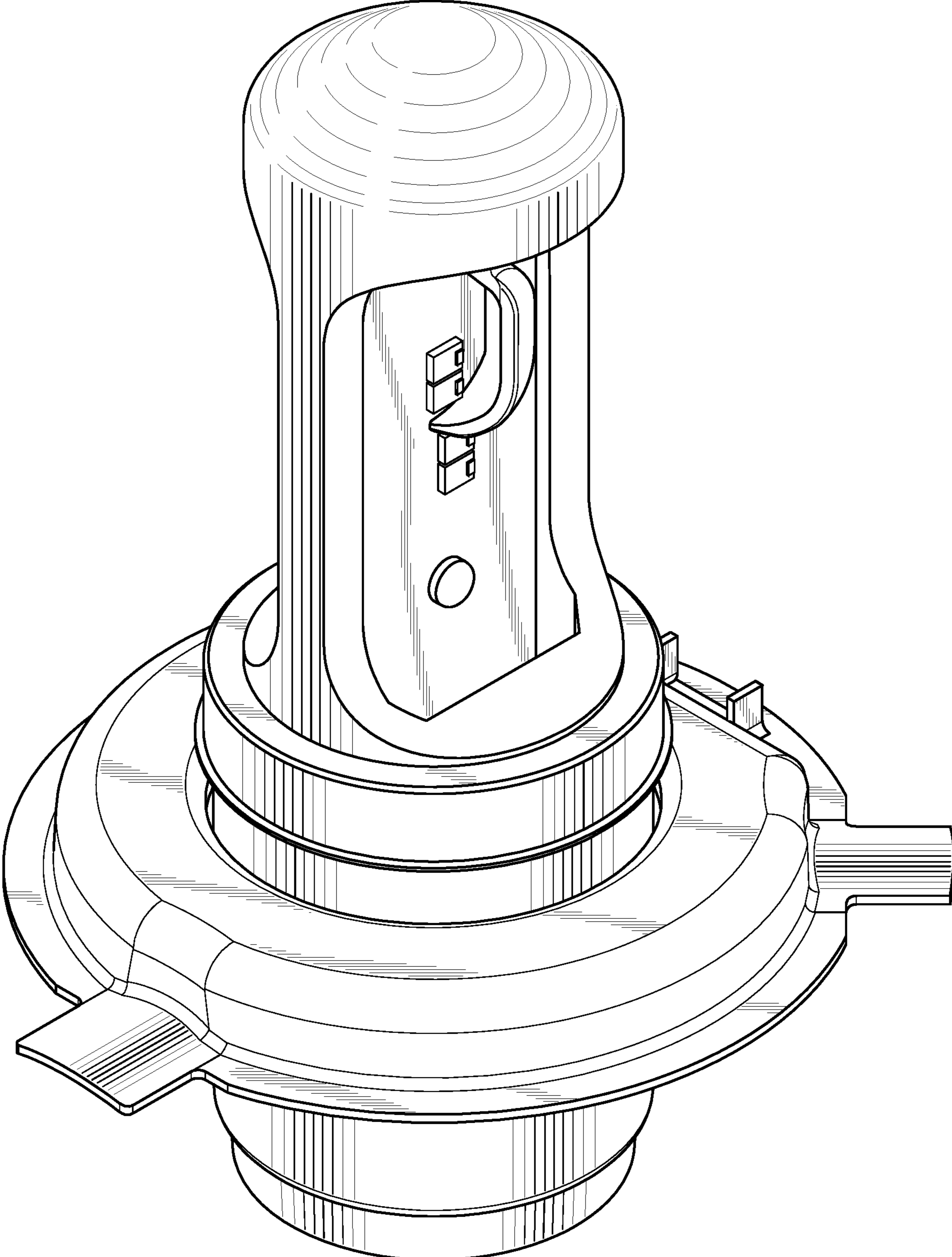


Fig.1

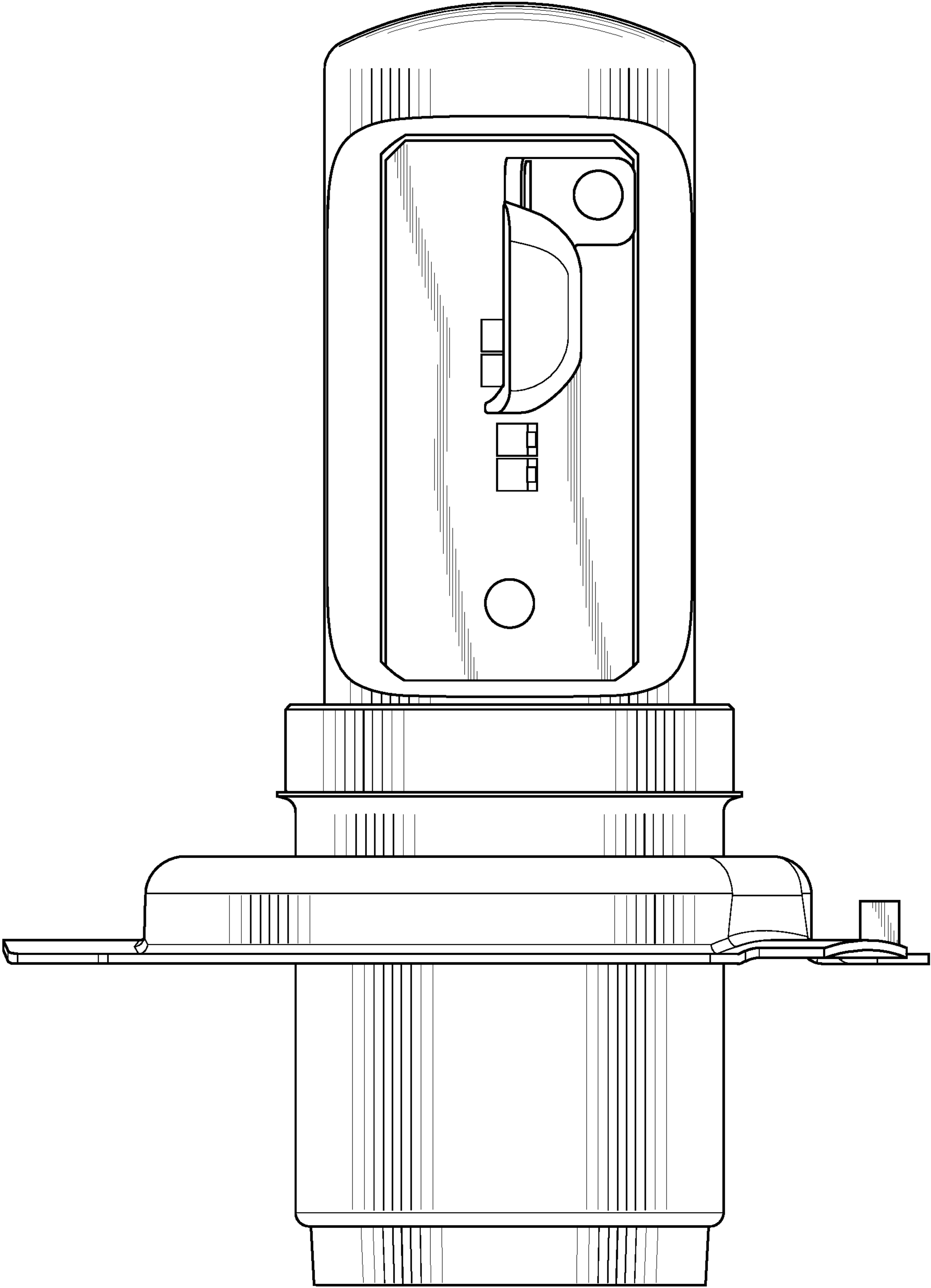


Fig.2

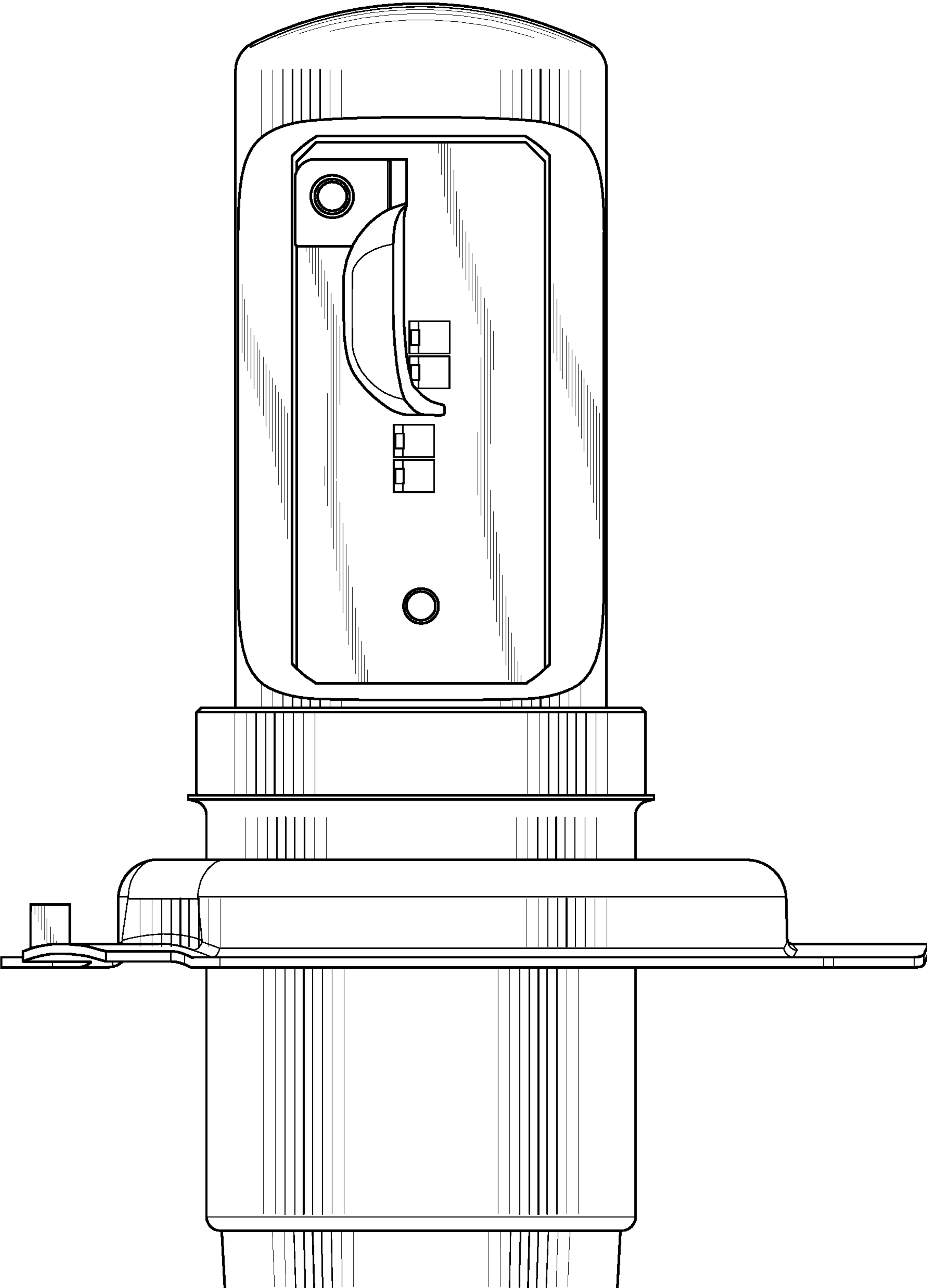


Fig.3

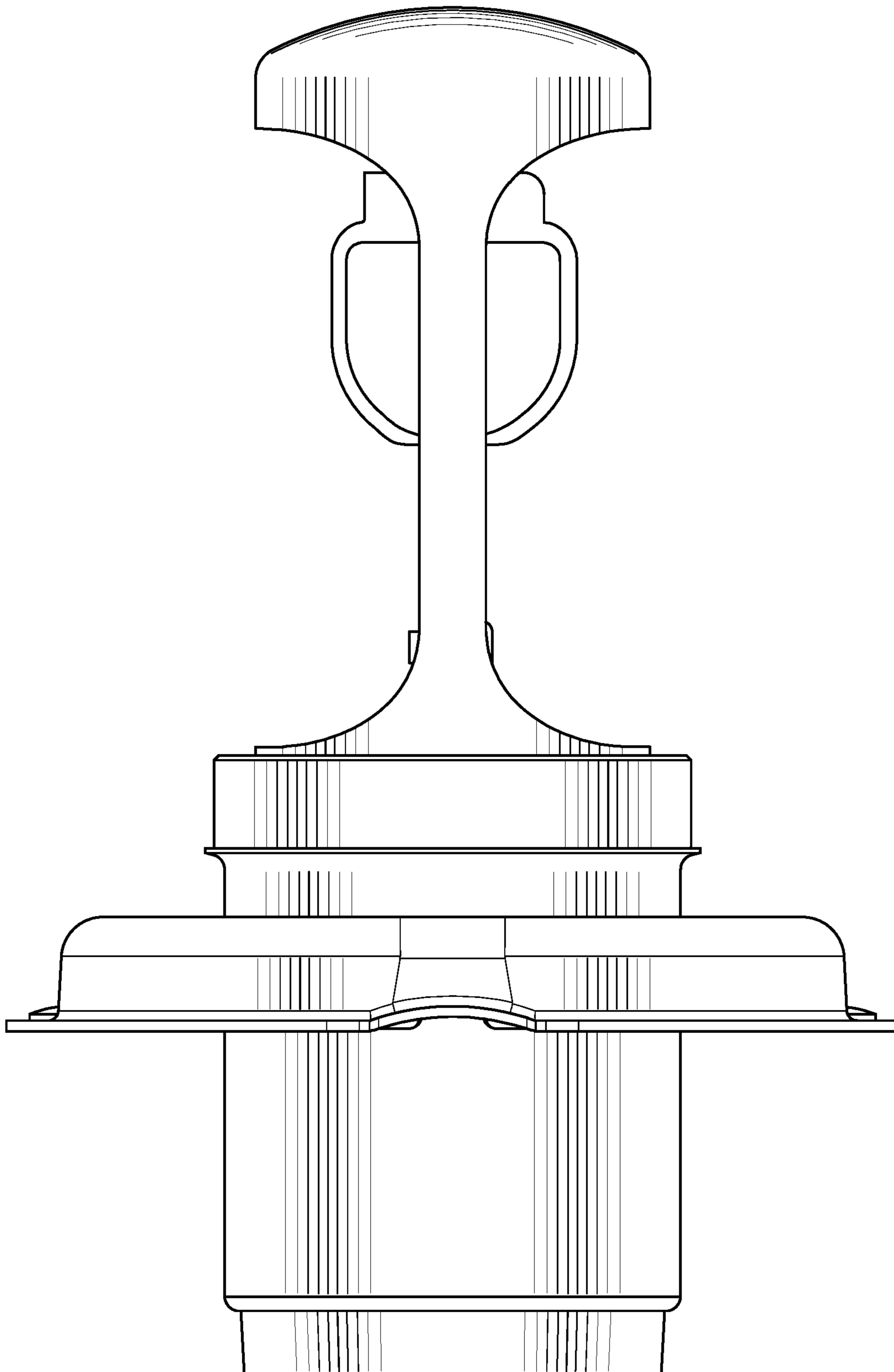


Fig.4

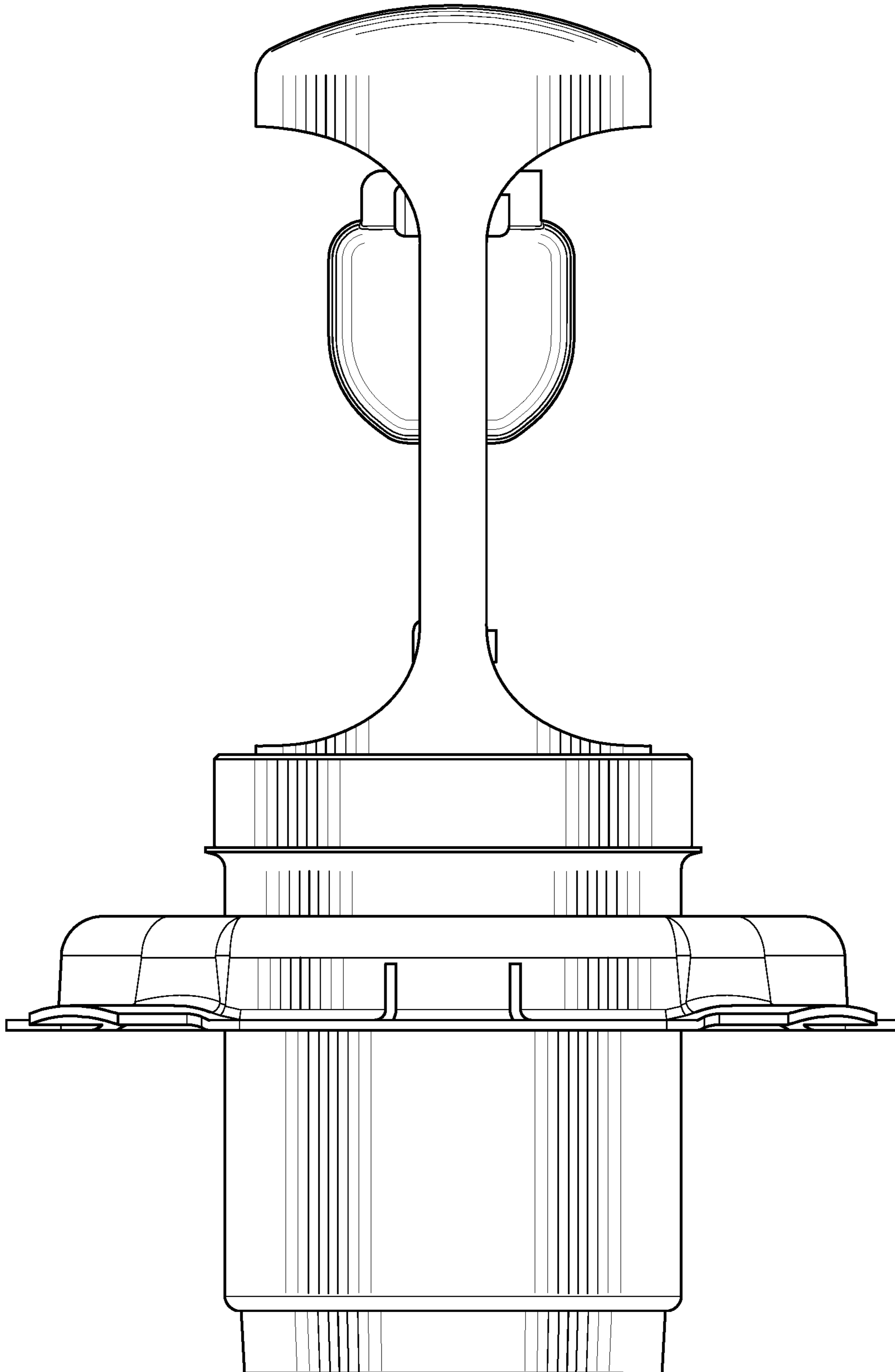


Fig.5

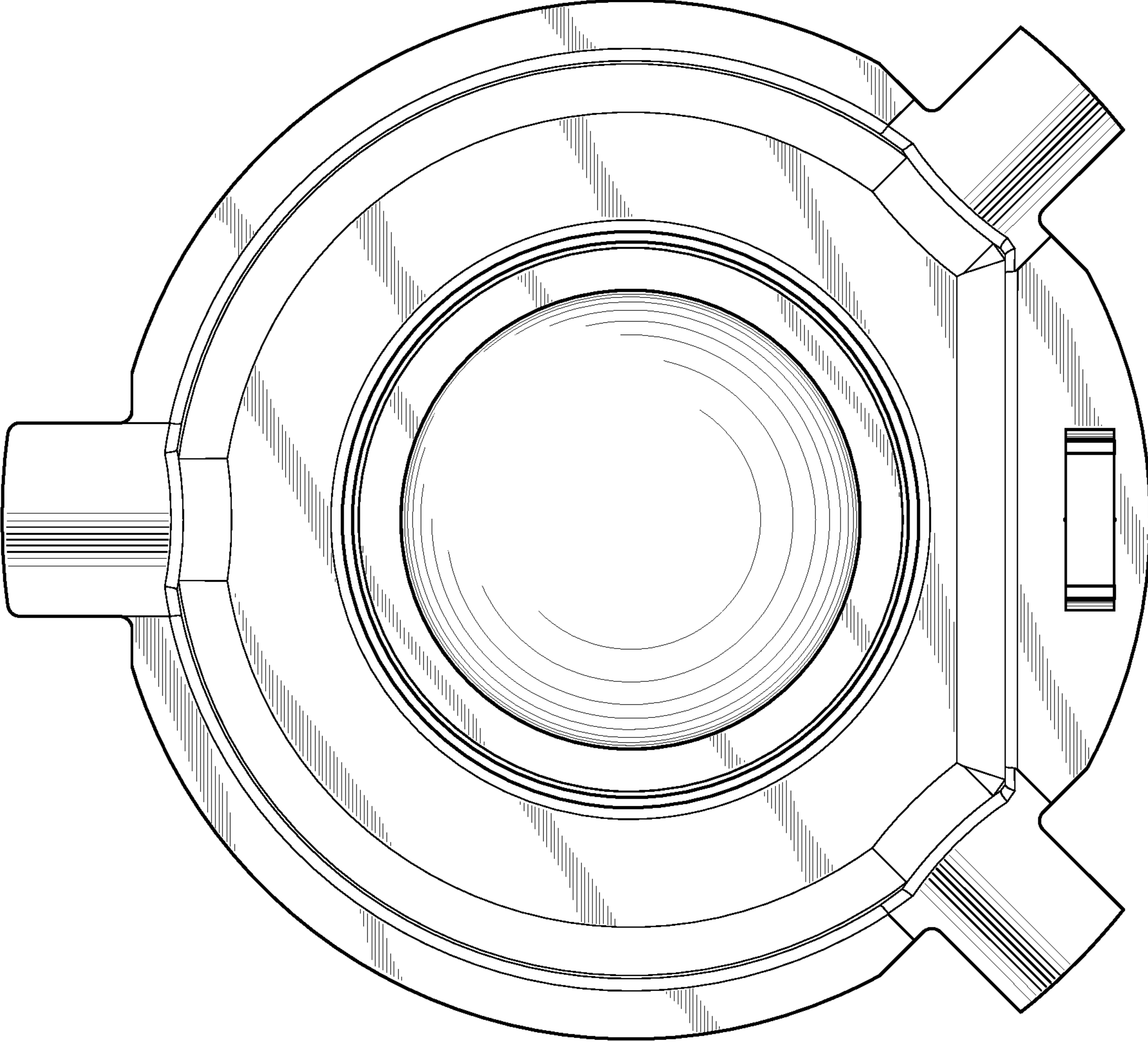


Fig.6

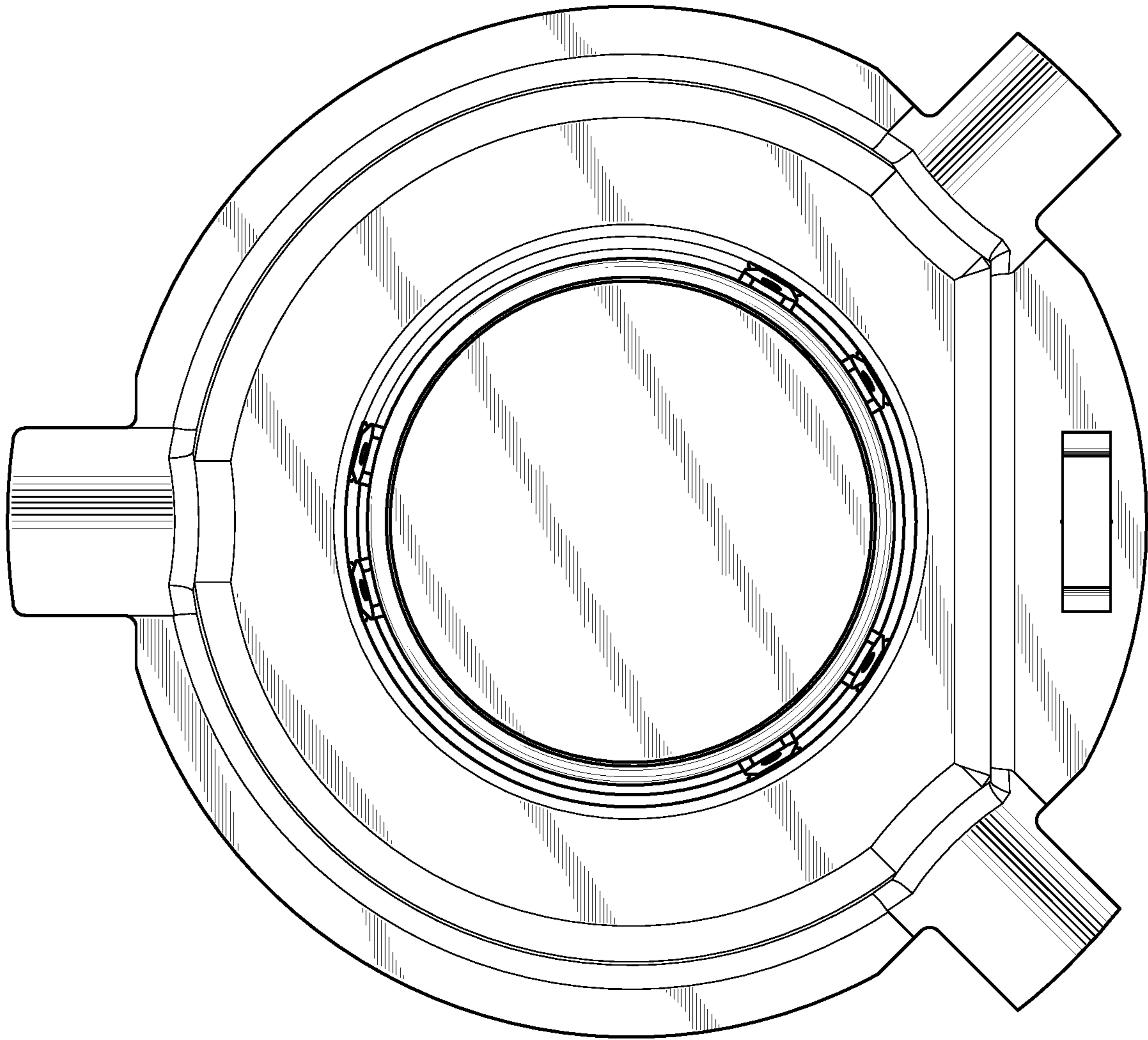


Fig.7