



US00D895158S

(12) **United States Design Patent** (10) **Patent No.:** **US D895,158 S**  
**King et al.** (45) **Date of Patent:** **\*\* Sep. 1, 2020**

(54) **SOUND ABSORBING PANEL**  
(71) Applicant: **CAIMI BREVETTI S.p.A.**, Nova Milanese (MB) (IT)  
(72) Inventors: **Perry King**, Nova Milanese (IT); **Santiago Miranda**, Nova Milanese (IT)  
(73) Assignee: **CAIMI BREVETTI S.p.A.**, Nova Milanese (MI) (IT)

D650,006 S 12/2011 Perks  
D652,152 S \* 1/2012 Martin ..... D25/103  
D656,535 S 3/2012 Perks  
D686,349 S \* 7/2013 Hooper ..... D25/138  
9,022,171 B2 \* 5/2015 Caimi ..... E04B 9/001  
181/287  
D739,047 S 9/2015 Meda  
9,194,124 B2 11/2015 Johnson  
D753,760 S 4/2016 Perks  
(Continued)

(\*\*) Term: **15 Years**  
(21) Appl. No.: **29/666,580**  
(22) Filed: **Oct. 15, 2018**

**FOREIGN PATENT DOCUMENTS**

EP 0 295 925 12/1988  
EP 0 816 583 1/1998  
(Continued)

(30) **Foreign Application Priority Data**

Apr. 13, 2018 (EM) ..... 005232758-0002

(51) **LOC (12) Cl.** ..... **25-01**  
(52) **U.S. Cl.**  
USPC ..... **D25/138**

(58) **Field of Classification Search**  
USPC ..... D25/138; D6/332  
CPC ..... E04B 2002/0208; E04B 2002/0221; E04B 1/99; E04B 1/994; E04B 2/7403; E04B 2/7409; E04B 2002/0217; E04B 2002/0219; E04B 2/00; E04B 2001/8263; G10K 11/002

See application file for complete search history.

**OTHER PUBLICATIONS**

International Search Report for PCT/EP2015/078528 dated Jan. 19, 2016, 3 pages.

(Continued)

*Primary Examiner* — Doris Clark  
(74) *Attorney, Agent, or Firm* — Nixon & Vanderhye P.C.

(57) **CLAIM**

The ornamental design for a sound absorbing panel, as shown and described.

**DESCRIPTION**

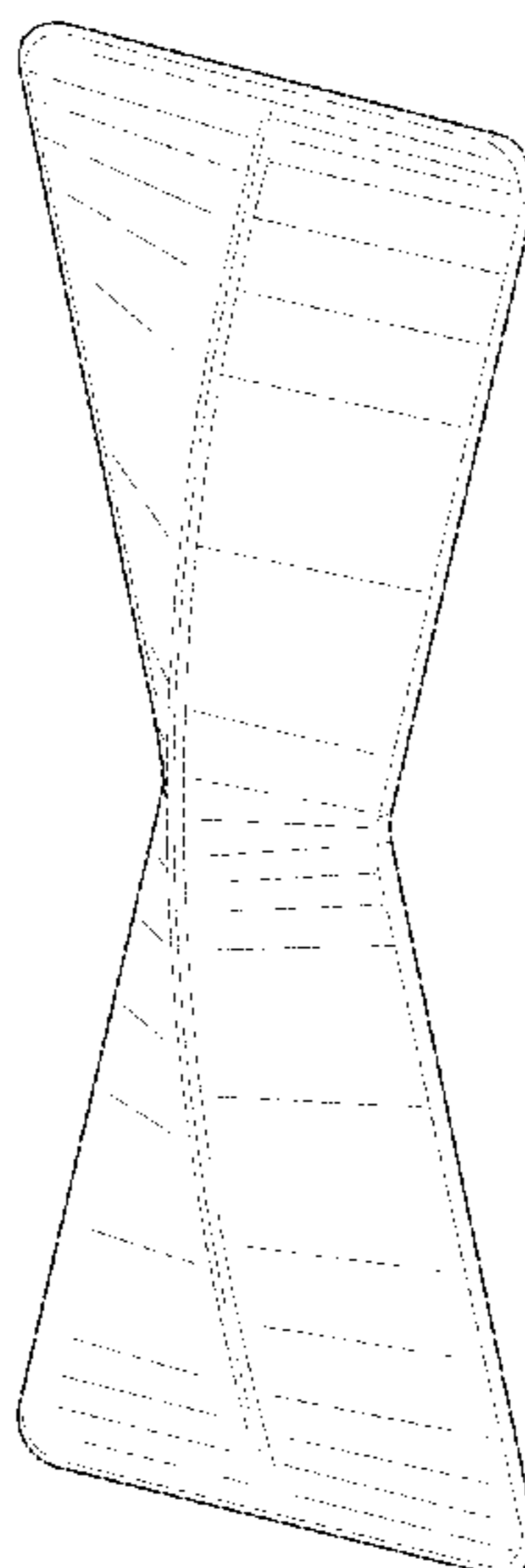
FIG. 1 is a front, right, top perspective view of a sound absorbing panel in accordance with our new design;  
FIG. 2 is a front elevation view thereof;  
FIG. 3 is a back elevation view thereof;  
FIG. 4 is a top plan view thereof;  
FIG. 5 is a bottom plan view thereof;  
FIG. 6 is a right side elevation view thereof;  
FIG. 7 is a left side elevation view thereof; and,  
FIG. 8 is a rear, left, top perspective view thereof.

(56) **References Cited**

**U.S. PATENT DOCUMENTS**

2,502,016 A 3/1950 Olson  
2,935,151 A 5/1960 Watters  
5,750,944 A 5/1998 Fuchs  
5,832,685 A 11/1998 Hemanson  
7,677,359 B2 3/2010 Vigran  
7,686,132 B2 3/2010 Olson  
D646,320 S 10/2011 Perks  
D650,005 S 12/2011 Perks

**1 Claim, 5 Drawing Sheets**



(56)

References Cited

OTHER PUBLICATIONS

U.S. PATENT DOCUMENTS

9,316,003	B2 *	4/2016	Caimi	.....	E04F 13/0867
D760,918	S *	7/2016	Bilge	.....	D25/138
D760,920	S *	7/2016	Bilge	.....	D25/138
9,613,609	B2	4/2017	Caimi		
D787,711	S *	5/2017	Walter	.....	D25/138
D796,216	S	9/2017	Rockwell		
D798,615	S	10/2017	Lievore		
10,096,310	B2 *	10/2018	Carlisle	.....	G10K 11/168
10,508,453	B2	12/2019	Caimi		
2003/0134553	A1	7/2003	Sheffer		
2017/0342721	A1	11/2017	Caimi		

FOREIGN PATENT DOCUMENTS

EP	0 872 586	10/1998
EP	2 472 018	7/2012
GB	2 063 960	6/1981
WO	WO 2013/113800	8/2013

Norma Italiana, Acoustics—Measurement of sound absorption in a reverberation room, UNI EN ISO 354, Dec. 2003, 32 pages.

Norma Italiana, Textiles—Determination of thickness of textiles and textile products, UNI EN ISO 5084, Jul. 1998, 12 pages.

Norma Italiana, Acoustics—Determination of sound absorption coefficient and impedance in impedances tubes, Transfer-function method, UNI EN ISO 10534-2, Oct. 2001, 36 pages.

Norma Italiana, Acoustics—Materials for acoustical applications—Determination of airflow resistance, UNI EN 29053, Feb. 1994, 16 pages.

Design U.S. Appl. No. 29/666,584, filed Oct. 15, 2018, entitled “Sound Absorbing Panel”.

Design U.S. Appl. No. 29/666,583, filed Oct. 15, 2018, entitled “Sound Absorbing Panel”.

Office Action dated Apr. 5, 2019 in U.S. Appl. No. 15/531,523.

Notice of Allowance dated Aug. 13, 2019 in U.S. Appl. No. 15/531,523.

Office Action dated Jan. 27, 2020 in U.S. Appl. No. 29/663,386.

\* cited by examiner

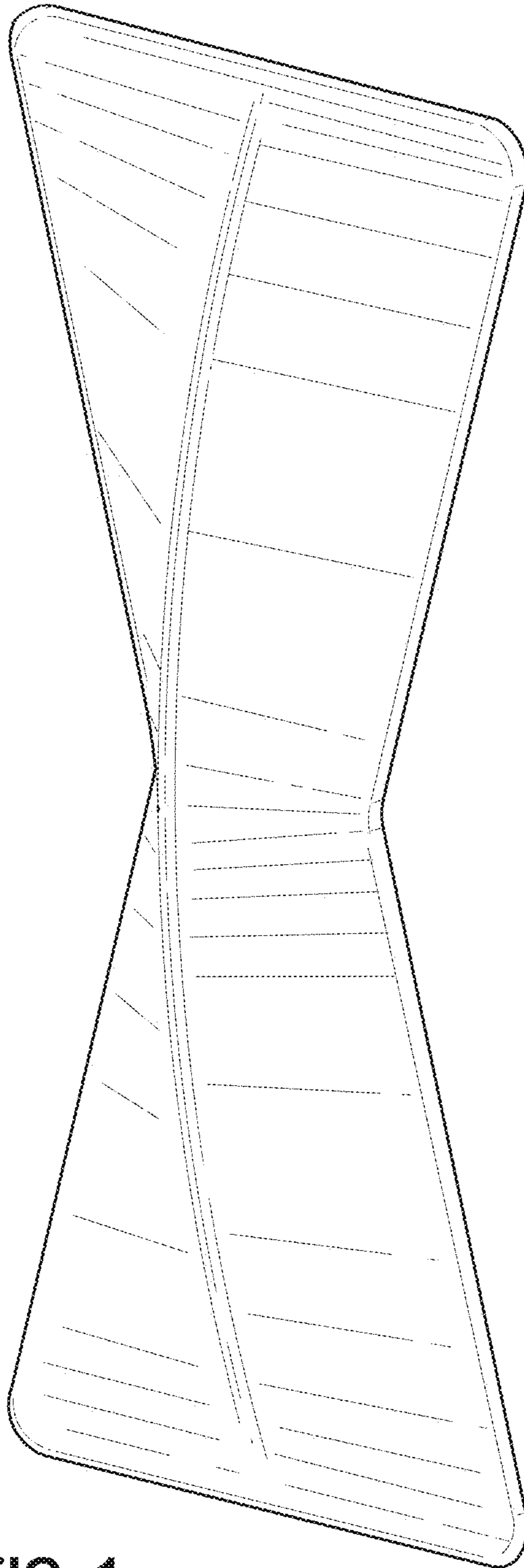


FIG. 1

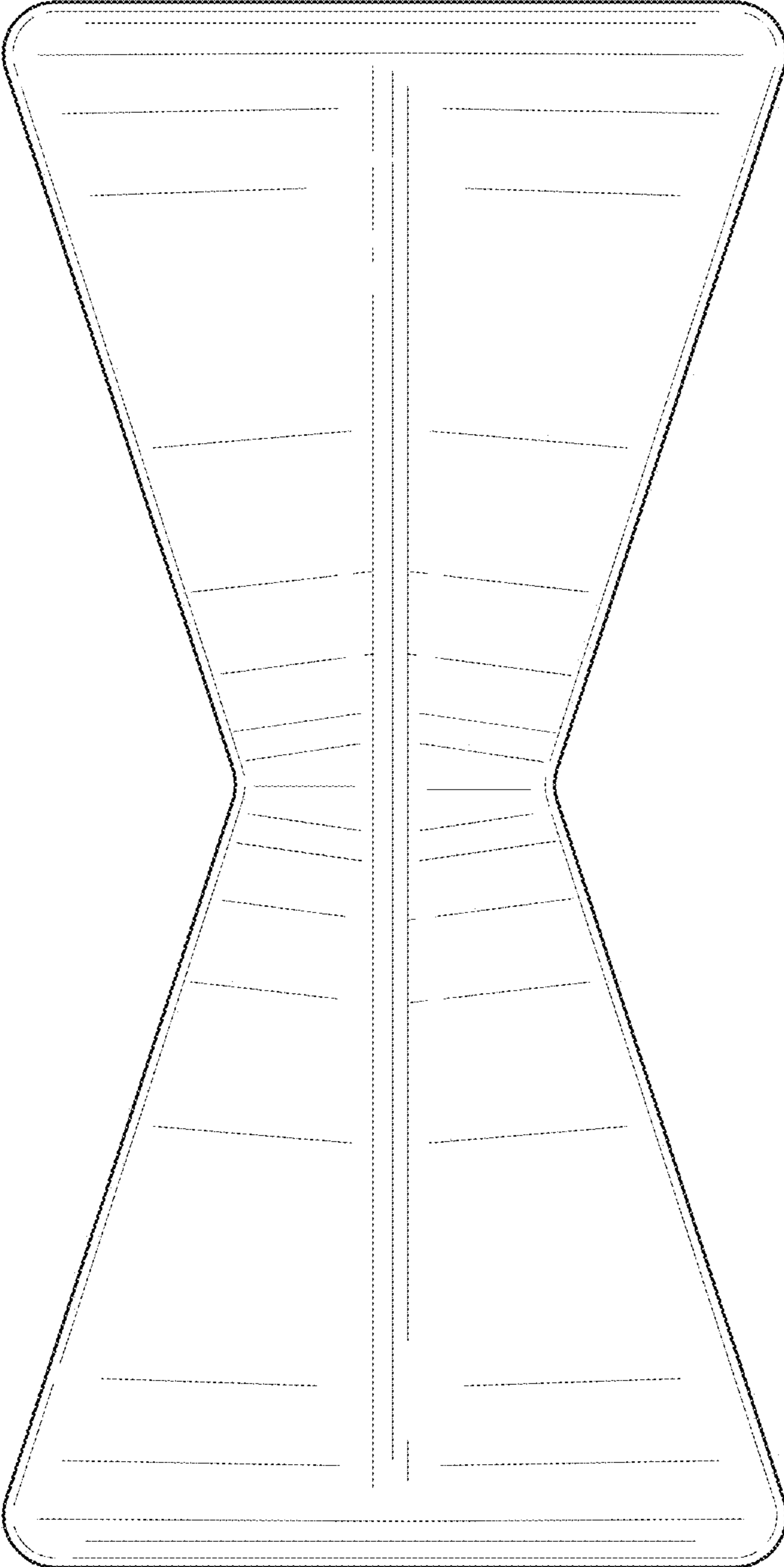


FIG. 2

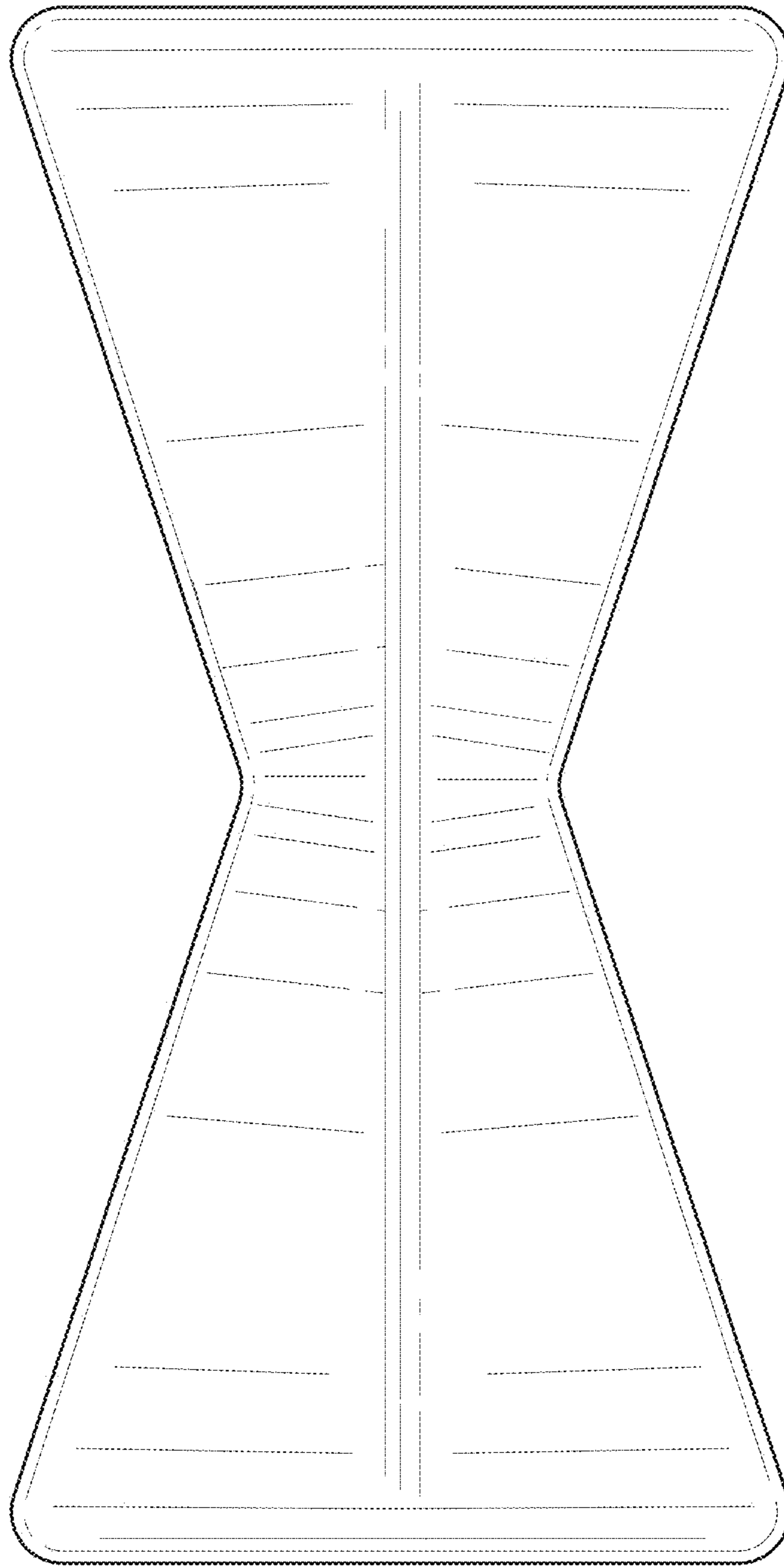


FIG. 3

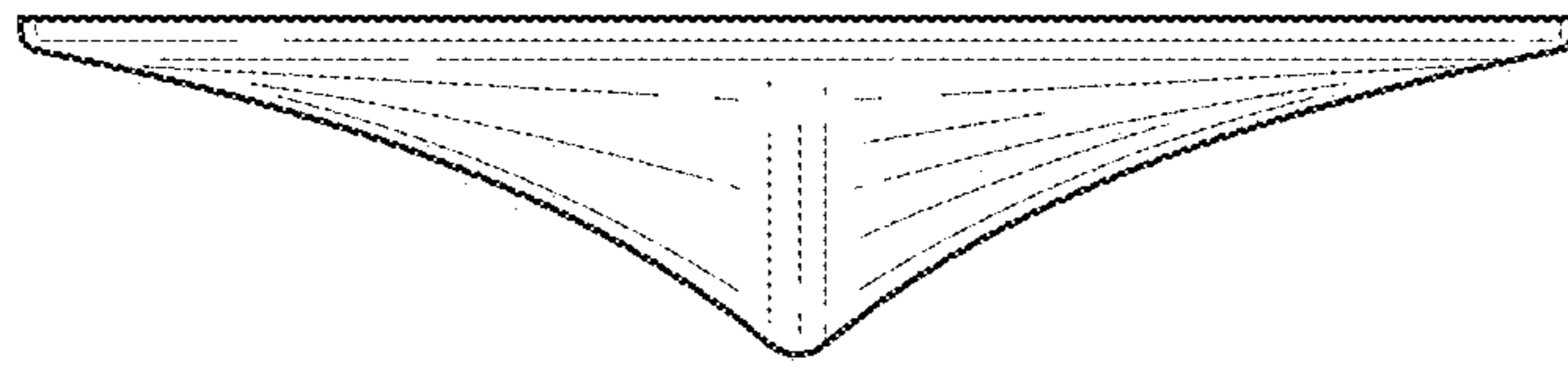


FIG. 4

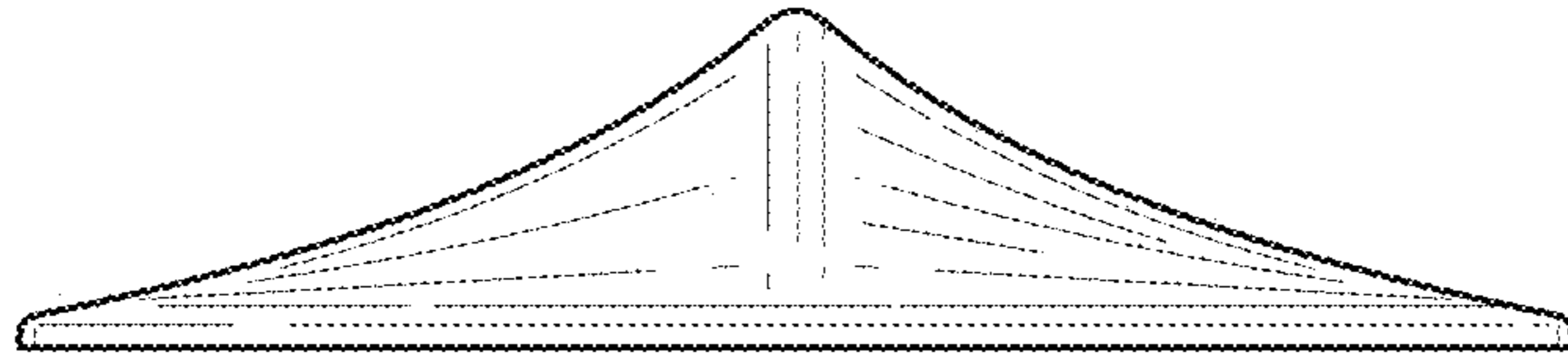


FIG. 5

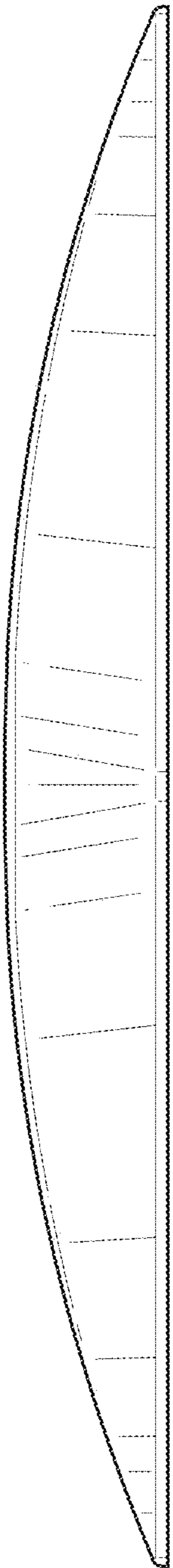


FIG. 6

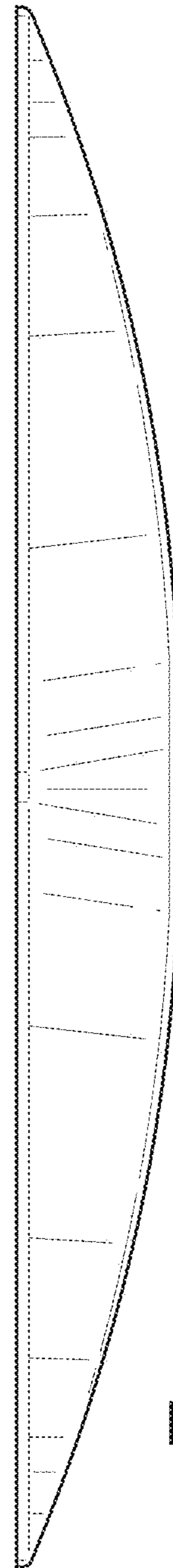
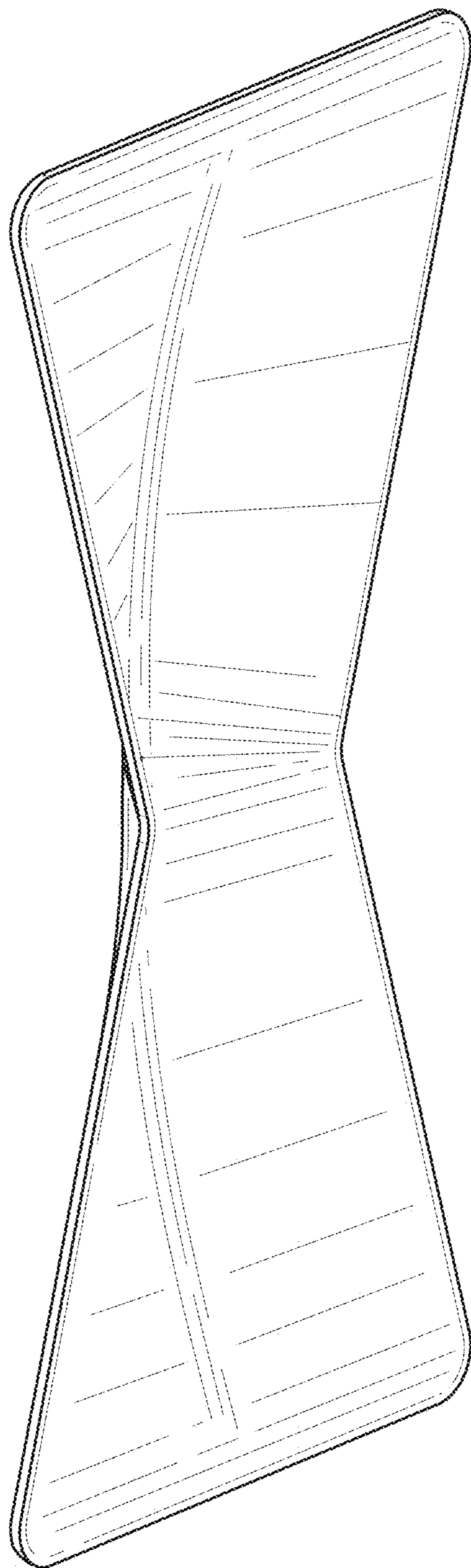


FIG. 7



**FIG. 8**