



US00D895156S

(12) **United States Design Patent**
Helms et al.

(10) **Patent No.:** **US D895,156 S**

(45) **Date of Patent:** **** Sep. 1, 2020**

(54) **BUILDING EXTRUSION**

(71) Applicant: **Golden Homes Holdings Limited,**
Tauranga (NZ)

(72) Inventors: **Lennard Trevor Helms,** Tauranga
(NZ); **Michael Petersen,** Auckland
(NZ)

(73) Assignee: **GOLDEN HOMES HOLDINGS**
LIMITED, Tauranga (NZ)

(**) Term: **15 Years**

(21) Appl. No.: **29/661,528**

(22) Filed: **Aug. 28, 2018**

(30) **Foreign Application Priority Data**

Feb. 28, 2018 (NZ) 424126

(51) **LOC (12) Cl.** **24-01**

(52) **U.S. Cl.**
USPC **D25/124**

(58) **Field of Classification Search**

USPC D25/55, 60, 61, 119-125, 164, 199;
D8/349, 354, 373

CPC E04B 2/00; E04B 2/58; E04B 2/60; E04B
2/72; E04B 2/721; E04B 2/723; E04B
2/74; E04B 2002/725; E04B 2002/726;
E04B 2002/728; E04B 2002/7461; E04B
2002/7462; E04B 2002/7464; E04B
2002/7487; E04B 1/00; E04B 1/18; E04B
1/24; E04B 1/2403; E04B 1/38; E04B
1/58; E04B 1/5806; E04B 2001/2466;
E04B 2001/2481

See application file for complete search history.

(56) **References Cited**

U.S. PATENT DOCUMENTS

D210,286 S * 2/1968 Venema D25/122
D210,287 S * 2/1968 Venema D25/122

D258,616 S * 3/1981 Dallaire D25/119
D291,009 S * 7/1987 Weilow D25/120
5,201,159 A * 4/1993 Goranson E04B 2/72
52/572
D371,208 S * 6/1996 De Zen D25/122
D372,108 S * 7/1996 Franson D25/124
D394,716 S * 5/1998 Rinot D25/124
D402,049 S * 12/1998 Goodchild D25/122
5,904,022 A * 5/1999 Zadok E04B 1/24
52/650.1
5,930,963 A * 8/1999 Nichols E04B 2/7422
52/239
D449,390 S * 10/2001 Goss D25/124
D473,661 S * 4/2003 Kim D25/122

(Continued)

Primary Examiner — Llorelys Martinez

(74) *Attorney, Agent, or Firm* — Knobbe, Martens, Olson
& Bear, LLP

(57) **CLAIM**

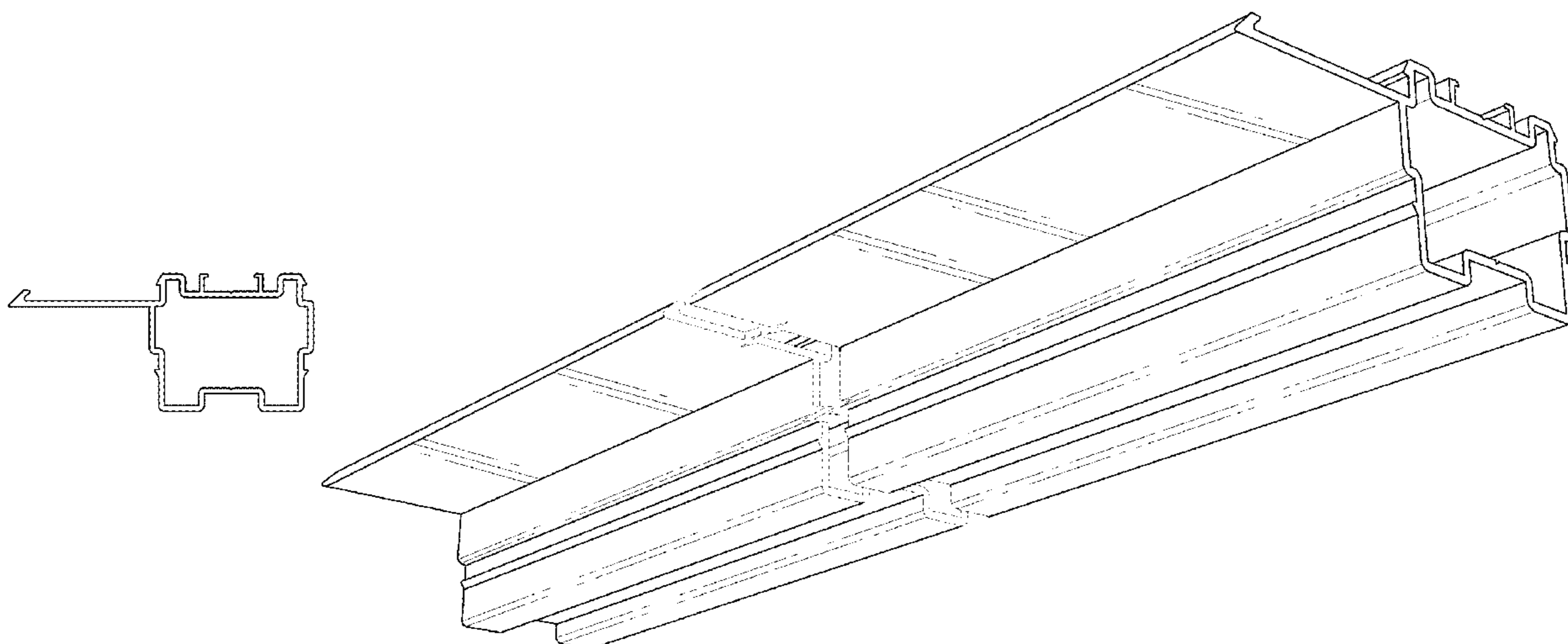
The ornamental design for a building extrusion, as shown
and described.

DESCRIPTION

FIG. 1 is a front end view of a building extrusion, showing
our new design;
FIG. 2 is a back end view thereof;
FIG. 3 is a left side elevational view thereof;
FIG. 4 is a right side elevational view thereof;
FIG. 5 is a top plan view thereof;
FIG. 6 is a bottom plan view thereof; and,
FIG. 7 is a front, bottom and left side perspective view
thereof.

Broken lines are used in the drawings to illustrate features of
the building extrusion that form no part of the claimed
design. The building extrusion is shown with a symbolic
break in its length. The appearance of any portion of the
building extrusion between the break lines forms no part of
the claimed design.

1 Claim, 6 Drawing Sheets



(56)

References Cited

U.S. PATENT DOCUMENTS

D541,953 S *	5/2007	Deleu	D25/122
D547,462 S *	7/2007	Petta	D25/122
D561,353 S *	2/2008	Antonic	D25/122
D579,584 S *	10/2008	Chaney	D25/124
D665,516 S *	8/2012	Bergmann	D25/122
D775,373 S *	12/2016	Veerawamy	D25/124
D834,217 S *	11/2018	Lee	D25/124
D851,787 S *	6/2019	Busl	D25/122
2007/0094992 A1 *	5/2007	Antonic	E04B 1/24 52/656.1
2007/0193143 A1 *	8/2007	Antonic	E06B 3/6621 52/241
2017/0138059 A1 *	5/2017	Omori	E04B 1/24

* cited by examiner

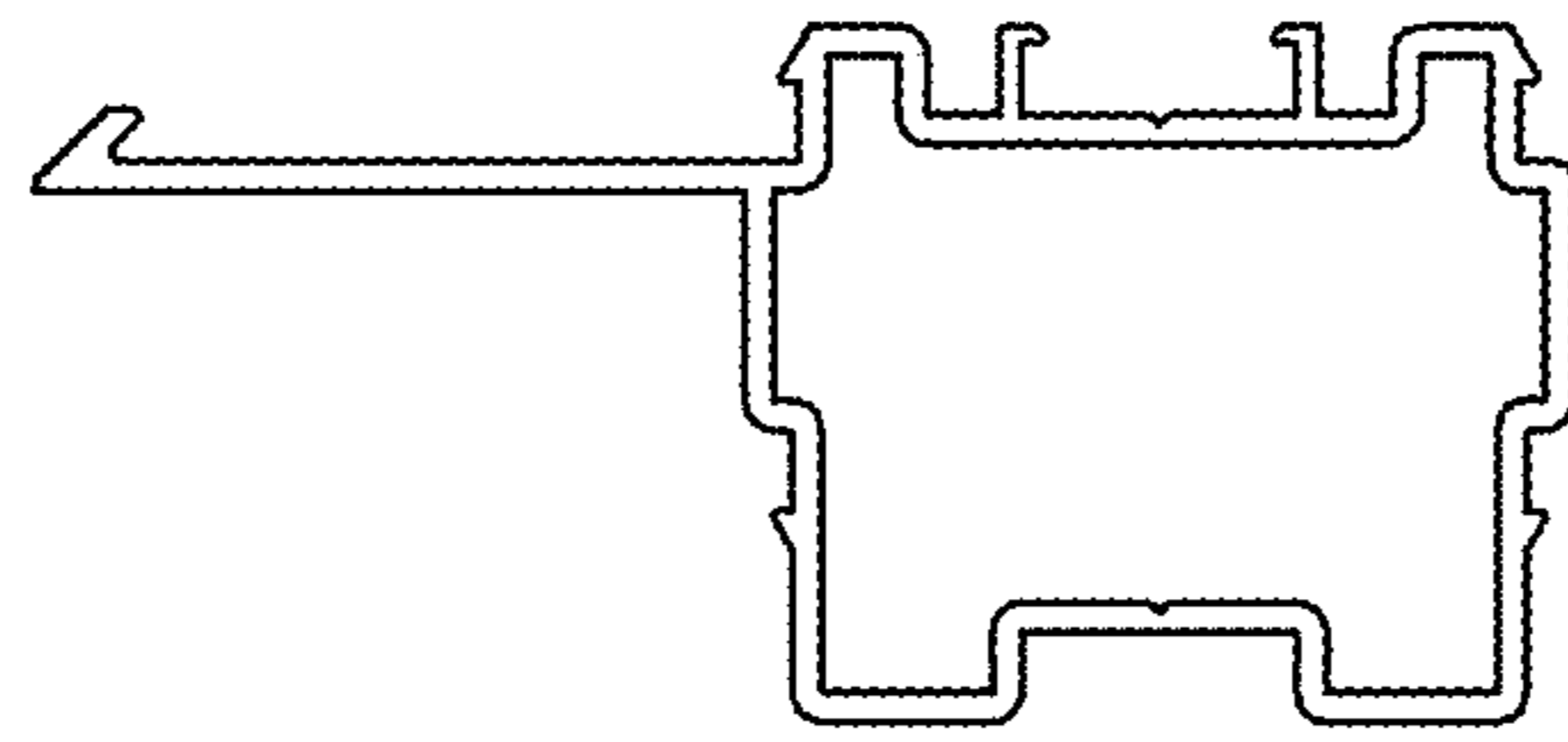


FIG. 1

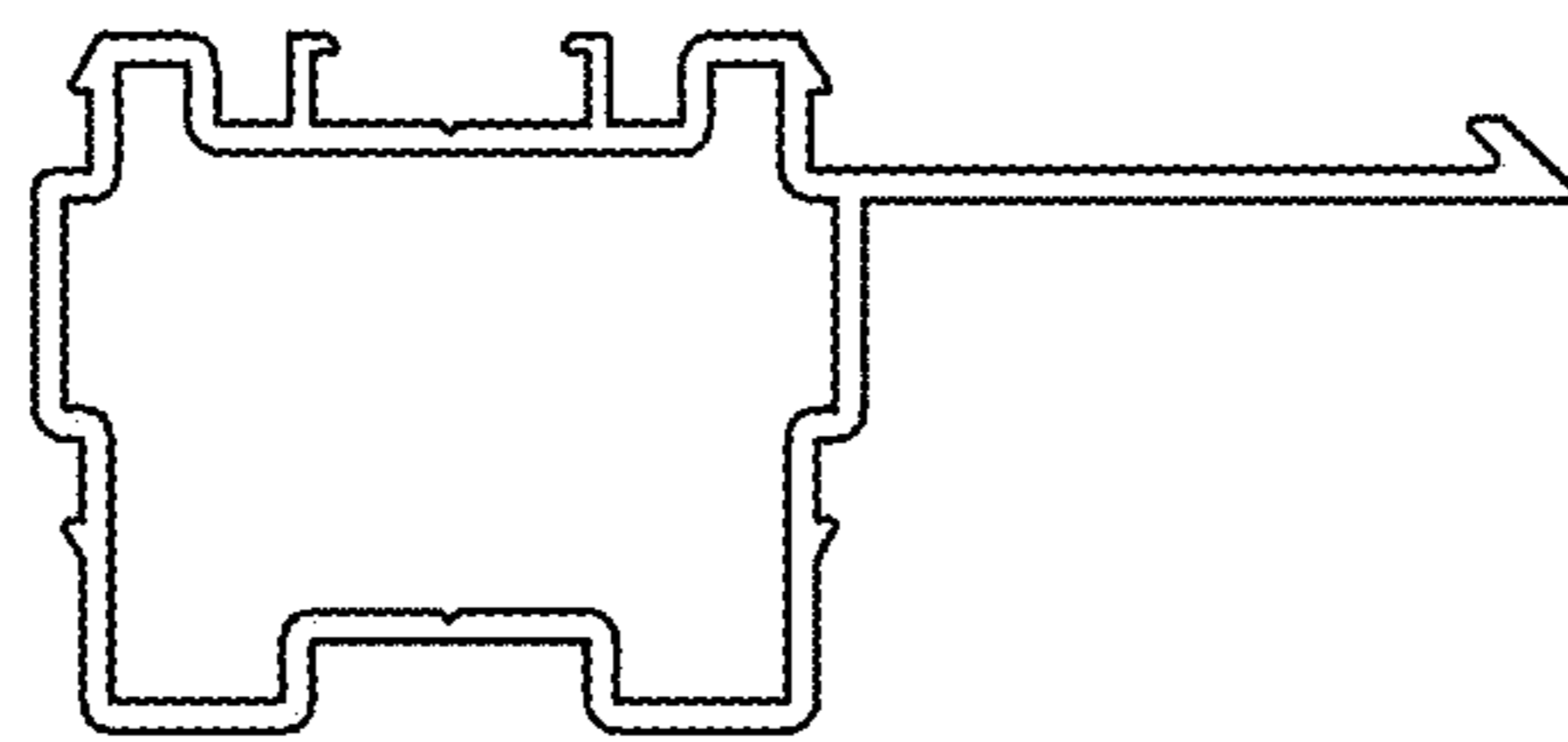


FIG. 2

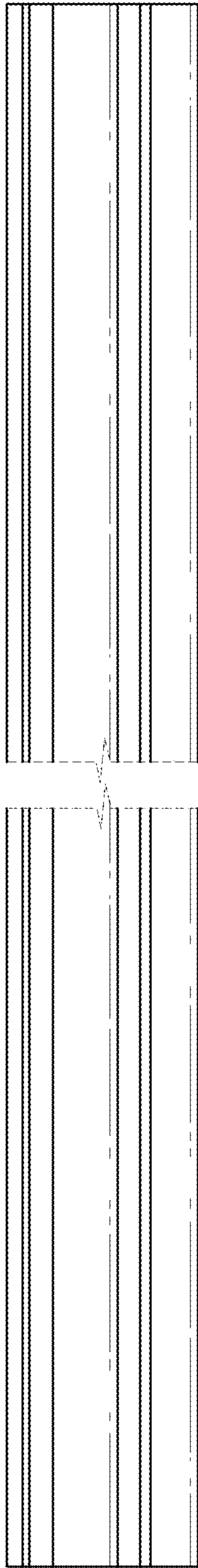


FIG. 3

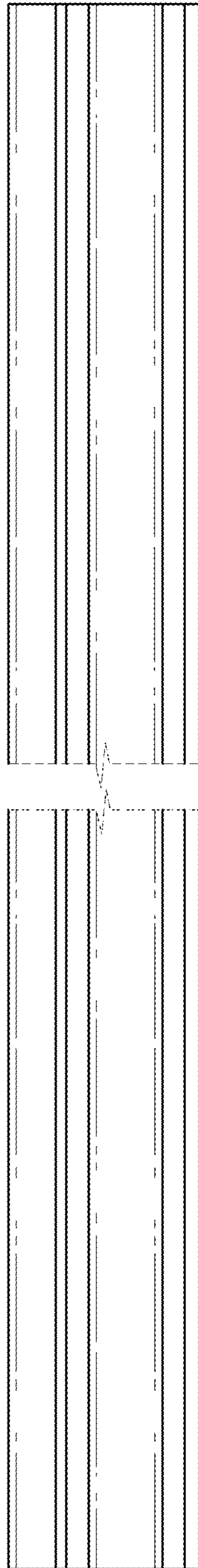


FIG. 4

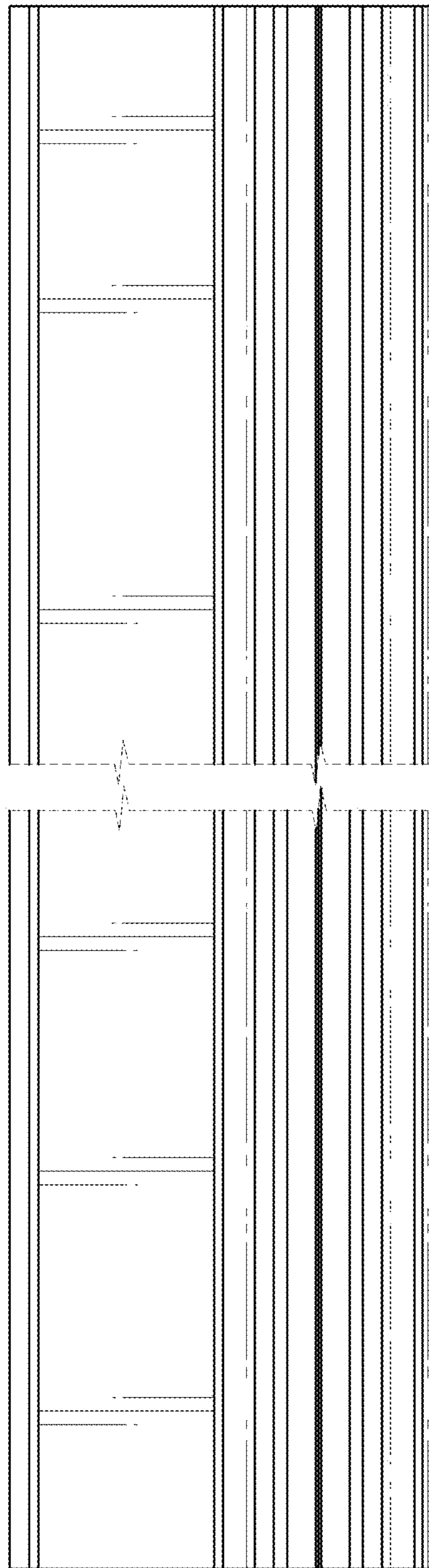


FIG. 5

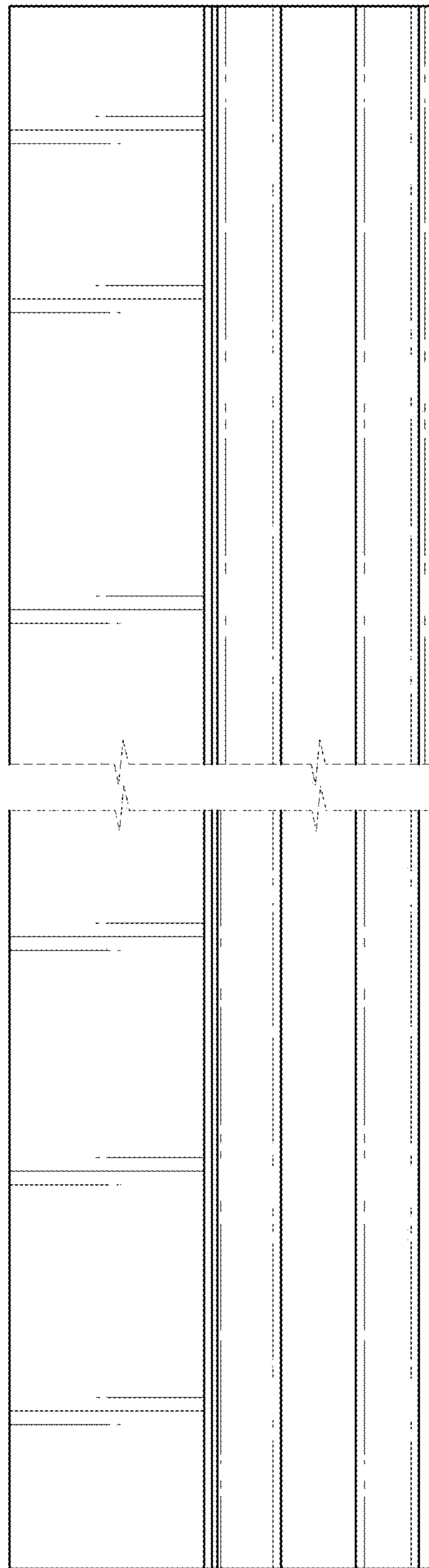


FIG. 6

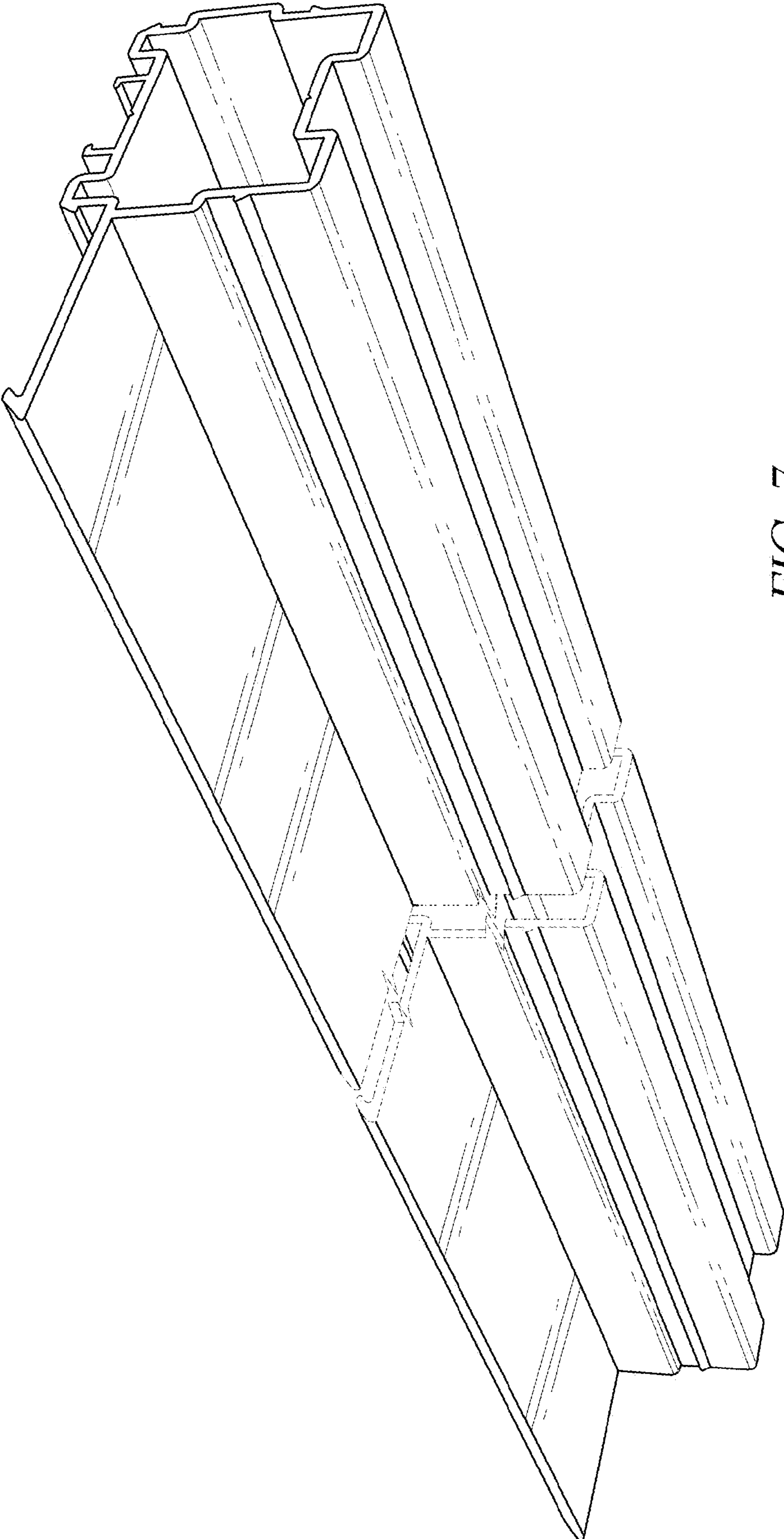


FIG. 7