



US00D895153S

(12) **United States Design Patent** (10) **Patent No.:** **US D895,153 S**
McIntosh (45) **Date of Patent:** **** Sep. 1, 2020**

(54) **BLOCK FOR A RETAINING WALL**

FOREIGN PATENT DOCUMENTS

(71) Applicant: **PACIFIC PREBENCHED LTD.**,
Aldergrove (CA)

AU 540765 B2 12/1984
CA 2075580 A1 2/1994
(Continued)

(72) Inventor: **Robert Gordon McIntosh**, Abbotsford
(CA)

OTHER PUBLICATIONS

(73) Assignee: **PACIFIC PREBENCHED LTD.**,
Aldergrove, British Columbia (CA)

Chougule et al., "Effective Use of Shelves in Cantilever Retaining
Walls," IRJET, vol. 04 Issue: 07, Jul. 2017.
(Continued)

(**) Term: **15 Years**

Primary Examiner — Leanne Was-Englehart

(21) Appl. No.: **29/672,439**

(74) *Attorney, Agent, or Firm* — Knobbe, Martens, Olson
& Bear LLP

(22) Filed: **Dec. 5, 2018**

(57) **CLAIM**

The ornamental design for a block for a retaining wall, as
shown and described.

(30) **Foreign Application Priority Data**

DESCRIPTION

Oct. 5, 2018 (CA) 183952

(51) **LOC (12) Cl.** **25-01**

(52) **U.S. Cl.**
USPC **D25/113**

(58) **Field of Classification Search**
USPC D21/484-491, 499-504; D25/113-118
CPC ... E02D 29/02; E02D 29/025; E02D 29/0225;
E02D 29/0241; E04B 2/00; B28B 7/162
See application file for complete search history.

FIG. 1 is a front perspective view of a block for a retaining
wall.
FIG. 2 is a right rear perspective view of the block for a
retaining wall of FIG. 1.
FIG. 3 is a left rear perspective view of the block for a
retaining wall of FIG. 1.
FIG. 4 is a front elevational view of the block for a retaining
wall of FIG. 1.
FIG. 5 is a rear elevational view of the block for a retaining
wall of FIG. 1.
FIG. 6 is a top plan view of the block for a retaining wall of
FIG. 1.
FIG. 7 is a bottom view of the block for a retaining wall of
FIG. 1.
FIG. 8 is a right side elevational view of the block for a
retaining wall of FIG. 1; and,
FIG. 9 is a left side elevational view of the block for a
retaining wall of FIG. 1.
The broken lines in the drawings depict portions of the block
for a retaining wall that form no part of the claimed design.

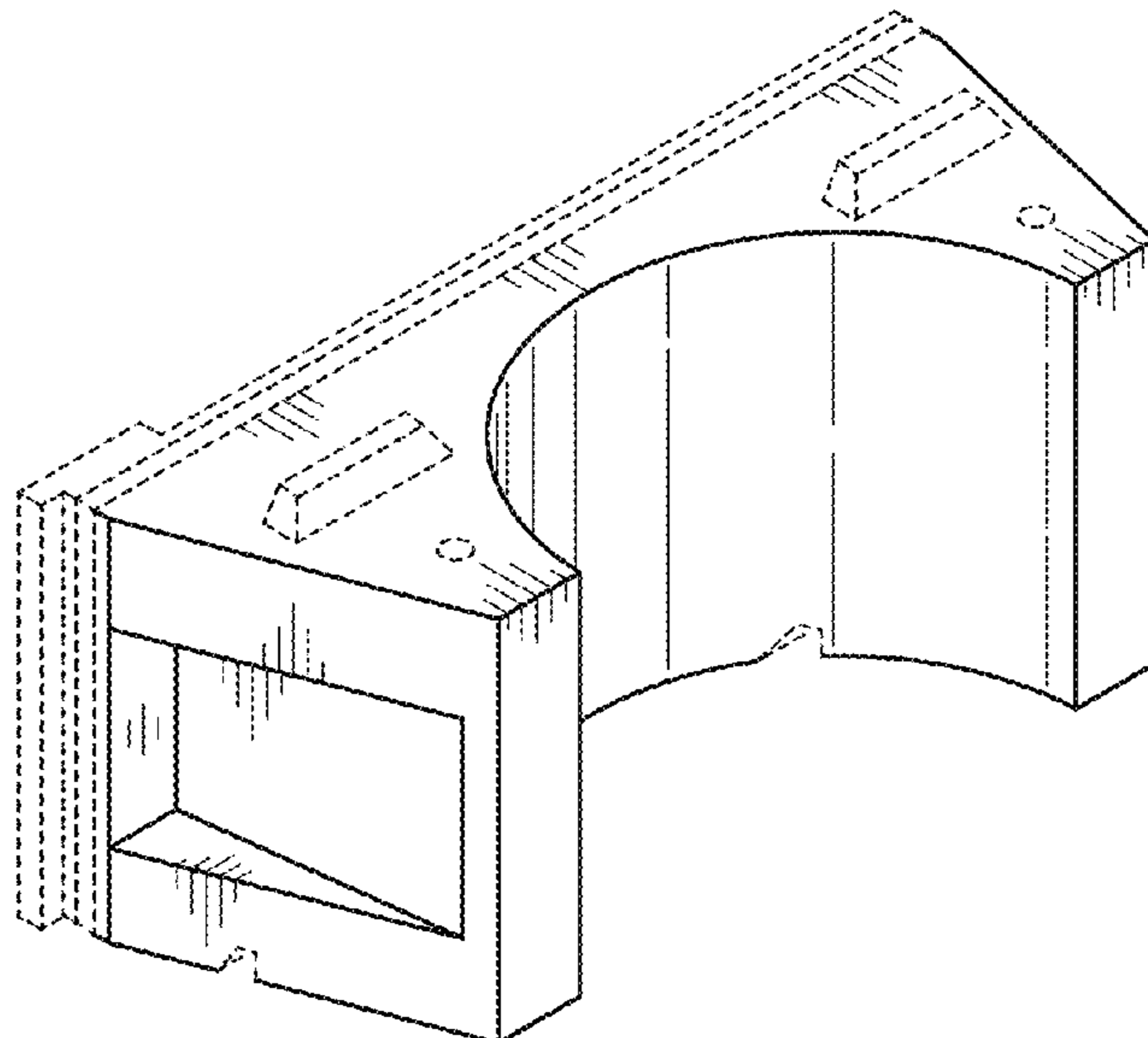
(56) **References Cited**

U.S. PATENT DOCUMENTS

705,732 A 7/1902 Bone
837,962 A 12/1906 Rice
1,356,319 A 10/1920 Smulski
2,684,589 A 7/1954 Perreton
3,195,312 A 7/1965 Rumsey, Jr.
3,430,397 A 3/1969 Ellis
3,613,382 A 10/1971 Dickinson

(Continued)

1 Claim, 5 Drawing Sheets



(56)

References Cited

U.S. PATENT DOCUMENTS

3,951,384 A 4/1976 Hildreth, Jr.
 3,953,979 A 5/1976 Kurose
 4,473,978 A 10/1984 Wood
 4,512,685 A 4/1985 Hegle
 4,655,646 A 4/1987 Babcock et al.
 4,668,129 A 5/1987 Babcock et al.
 4,703,602 A 11/1987 Pardo
 4,824,293 A 4/1989 Brown et al.
 4,884,921 A 12/1989 Smith
 4,911,585 A 3/1990 Vidal et al.
 4,916,874 A 4/1990 McCoy et al.
 4,961,673 A 10/1990 Pagano et al.
 4,964,761 A 10/1990 Rossi
 4,982,544 A 1/1991 Smith
 5,028,172 A 7/1991 Wilson et al.
 5,030,035 A 7/1991 Babcock
 5,044,833 A 9/1991 Wilfiker
 5,066,169 A 11/1991 Gavin et al.
 5,131,791 A 7/1992 Kitzyler
 5,154,542 A 10/1992 Klenert
 5,163,261 A 11/1992 O'Neill
 5,178,492 A 1/1993 Meheen
 5,178,493 A 1/1993 Vidal et al.
 5,224,801 A 7/1993 Quaney
 5,257,880 A 11/1993 Janopaul
 5,406,769 A 4/1995 Vidal et al.
 5,444,950 A 8/1995 Kelly et al.
 5,468,098 A 11/1995 Babcock
 5,481,836 A 1/1996 Miller et al.
 5,488,806 A 2/1996 Melnick et al.
 5,489,165 A 2/1996 Smith
 5,525,014 A 6/1996 Brown
 5,567,089 A 10/1996 Akamine
 5,611,181 A 3/1997 Shreiner et al.
 5,624,211 A 4/1997 Anderson et al.
 5,666,775 A 9/1997 Shreiner et al.
 5,697,736 A 12/1997 Veazey et al.
 5,795,106 A 8/1998 Herd
 5,799,456 A 9/1998 Shreiner et al.
 5,934,838 A 8/1999 Egan
 5,975,809 A 11/1999 Taylor et al.
 6,035,599 A 3/2000 Sonnentag
 6,113,316 A 9/2000 Ash
 6,213,689 B1 4/2001 Hirai
 6,250,038 B1 6/2001 Akamine
 6,430,884 B1 8/2002 Shreiner et al.
 6,443,662 B1 9/2002 Scales et al.
 6,447,213 B1 9/2002 MacDonald
 D467,009 S * 12/2002 Agee D25/113
 6,675,547 B1 1/2004 Golchek
 6,701,687 B1 * 3/2004 Shillingburg E02D 29/0241
 405/284
 6,705,057 B2 3/2004 Smyer
 6,872,031 B2 3/2005 May
 7,025,539 B2 4/2006 Irvine
 D555,810 S 11/2007 Strand
 7,360,970 B2 4/2008 Woolford et al.
 D579,122 S 10/2008 McIntosh
 D587,381 S 2/2009 McIntosh
 D600,359 S 9/2009 King
 7,584,584 B2 9/2009 Fennell
 7,959,380 B2 6/2011 McIntosh
 8,201,380 B2 6/2012 Hargest et al.
 8,511,024 B2 8/2013 MacDonald et al.
 8,938,836 B2 1/2015 Chandra et al.
 D734,820 S * 7/2015 Lee D21/484
 D867,620 S * 11/2019 Pegg D25/114
 2002/0001509 A1 1/2002 Hong
 2003/0009970 A1 1/2003 MacDonald et al.
 2003/0074856 A1 4/2003 Hammer
 2003/0140840 A1 7/2003 Yang
 2004/0134154 A1 7/2004 Bott
 2004/0159065 A1 8/2004 Burgess et al.
 2004/0161307 A1 8/2004 Hammer
 2005/0008438 A1 1/2005 Babcock

2005/0091940 A1 5/2005 Whitson
 2006/0188344 A1 8/2006 Boys
 2008/0095585 A1 4/2008 La
 2008/0120931 A1 5/2008 Joslyn
 2008/0313989 A1 12/2008 Ireland
 2009/0094917 A1 4/2009 McIntosh
 2009/0116911 A1 5/2009 Shaw
 2009/0238648 A1 9/2009 Wilkman
 2011/0217127 A1 9/2011 MacDonald
 2014/0083033 A1 3/2014 McIntosh et al.
 2014/0270990 A1 9/2014 Heraty
 2015/0040507 A1 2/2015 MacDonald et al.
 2016/0160468 A1 6/2016 Rossi
 2016/0024742 A1 10/2016 Heister
 2017/0284052 A1 10/2017 McIntosh et al.
 2019/0100894 A1 4/2019 Nicol et al.

FOREIGN PATENT DOCUMENTS

CA 2290327 A1 5/2001
 CA 2592213 5/2011
 CA 3000082 A1 6/2018
 CN 86207001 U 11/1987
 CN 1270261 A 10/2000
 CN 1605679 4/2005
 CN 200971506 Y 11/2007
 CN 101381994 3/2009
 CN 201649123 U 11/2010
 CN 102587410 A 7/2012
 CN 102926400 2/2013
 CN 103452132 A 12/2013
 CN 104631491 A 5/2015
 CN 104805850 A 7/2015
 CN 104818724 A 8/2015
 CN 105951875 A 9/2016
 EP 0 021 449 A1 1/1981
 EP 0 190 076 A1 8/1986
 EP 2549022 1/2013
 FR 2 651 258 A1 3/1991
 GB 1477221 6/1977
 JE 300962960.0000 * 7/2018
 JP S58-120924 7/1983
 JP S60-43531 3/1985
 JP H6-73744 A 3/1994
 JP H7-145625 6/1995
 JP H9-158223 6/1997
 JP H9-170240 6/1997
 JP H10-152848 6/1998
 JP H10-195894 7/1998
 JP 2000-080664 A 3/2000
 JP 2000-204571 7/2000
 JP 2000-314143 11/2000
 JP 2002-322656 11/2002
 JP 2006-316462 11/2006
 JP 2008-163660 A 7/2008
 JP 2010-242473 A 10/2010
 JP 2010-242474 A 10/2010
 JP D1611200 * 8/2018
 KR 10-0710850 B1 4/2007
 KR 10-0824713 B1 4/2008
 KR 10-2008-0077721 8/2008
 KR 2009-0100160 A 9/2009
 KR 20090096238 9/2009
 KR 2010-0115919 A 10/2010
 KR 10-1006963 1/2011
 KR 2011-0027199 A 3/2011
 KR 10-2012-0030513 3/2012
 KR 2012-0021686 A 3/2012
 KR 10-1138915 B1 5/2012
 KR 2015-0135659 A 12/2015
 KR 2016-0150411 A 12/2016
 KR 2017-0038769 A 4/2017
 UA 63578 A 1/2004

(56)

References Cited

FOREIGN PATENT DOCUMENTS

WO WO 2007/046142 A1 4/2007
WO WO 2015/007796 A2 1/2015

OTHER PUBLICATIONS

“Counterfort Retaining Wall”—Bing images, retrieved from the internet on Sep. 27, 2017.

Erizal, “Design and Detailing of Retaining Walls,” PowerPoint, Departemen Teknik Sipil Dan Lingkungan Fakultas Teknologi Pertanian IPB; SIL211 Mekanika Tanah, 3(2-3).

Gowda et al., “Stability Enhancement of Cantilever Earth Retaining Wall with Pressure Relief Shelf by Soft Computing Technique” *Advanced Engineering and Applied Sciences: An International Journal* 2016; 6(2): 65-68.

“High Tensile Coil Rod,” Data Sheet—High Tensile Coil Rod, Spectrum Concrete Products.

Kaizer et al., “Counterfort Retaining Wall” Gandhinagar Institute of Technology: Department of Civil Engineering.

Padhye et al., “Analysis of Retaining Wall with Pressure Relief Shelf by Coulomb’s Method” *Proceedings of Indian Geotechnical Conference*, Dec. 15-17, 2011, Kochi (Paper No. K-106).

Shehata, “Retaining walls with relief shelves” *Innov. Infrastruct. Solut.* (2016) 1:4.

Shinde et al., “Optimum Static Analysis of Retaining Wall with & without shelf /Shelve at different level using finite Element analysis,” *International Journal of Engineering Research and General Science* vol. 3, Issue 2, Part 2, Mar.-Apr. 2015.

“TechWall”—Reinforced Earth, Sustainable Technology.

Tonne et al., “Optimization and Improvement in Stability of Counterfort Retaining Wall With Relief Shelf,” *IJRET*: vol. 04 Issue: 04; Apr. 2015.

“Type T—Spherical Head T Anchors” (info-sheet) Construction Fixing Systems.

Watve et al., “Static Analysis of Retaining Wall With & Without Shelf by Using F.E.M Simulation,” *Global Journal of Engineering Science and Research Management*; 2(7): Jul. 2015.

* cited by examiner

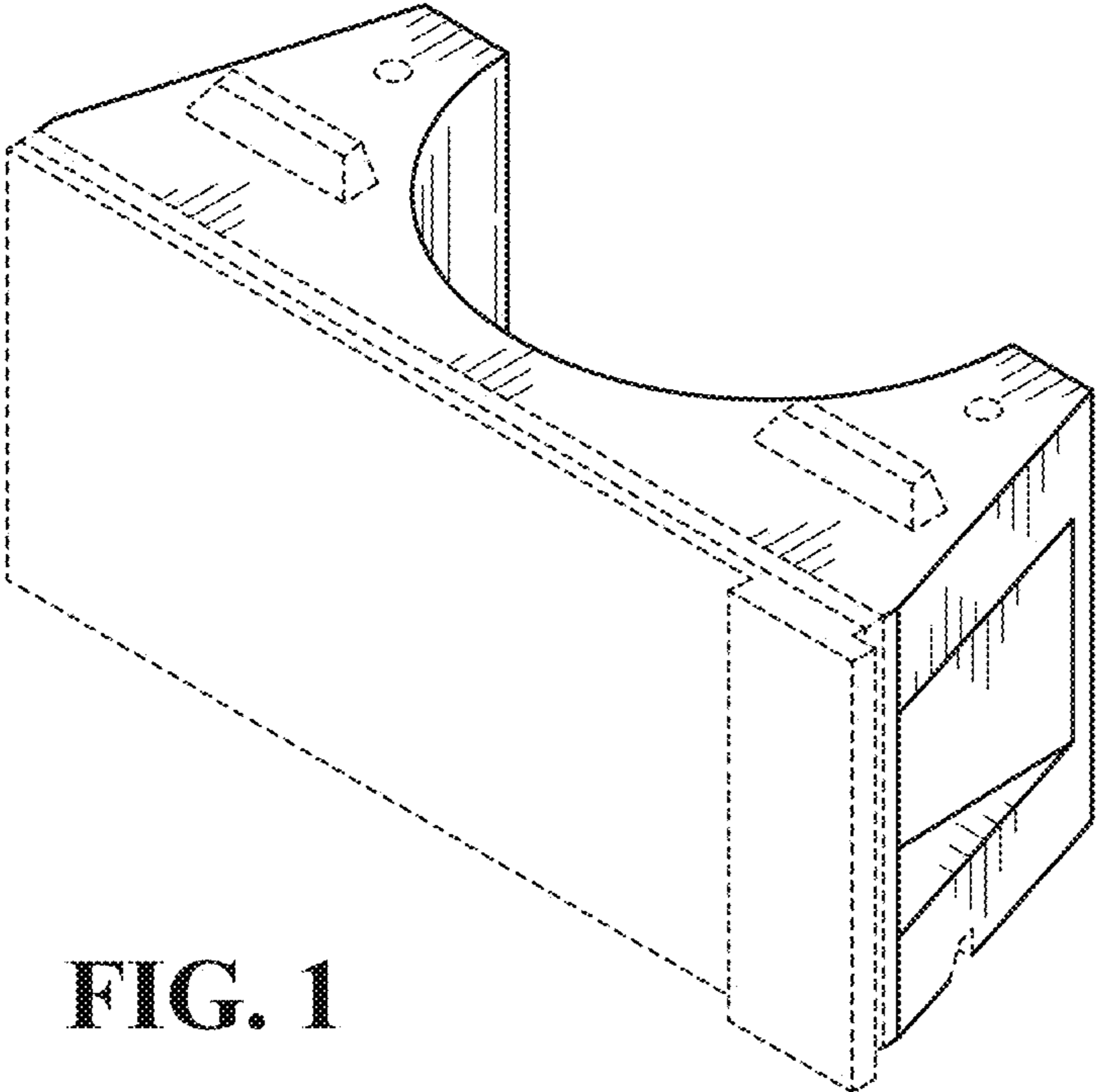


FIG. 1

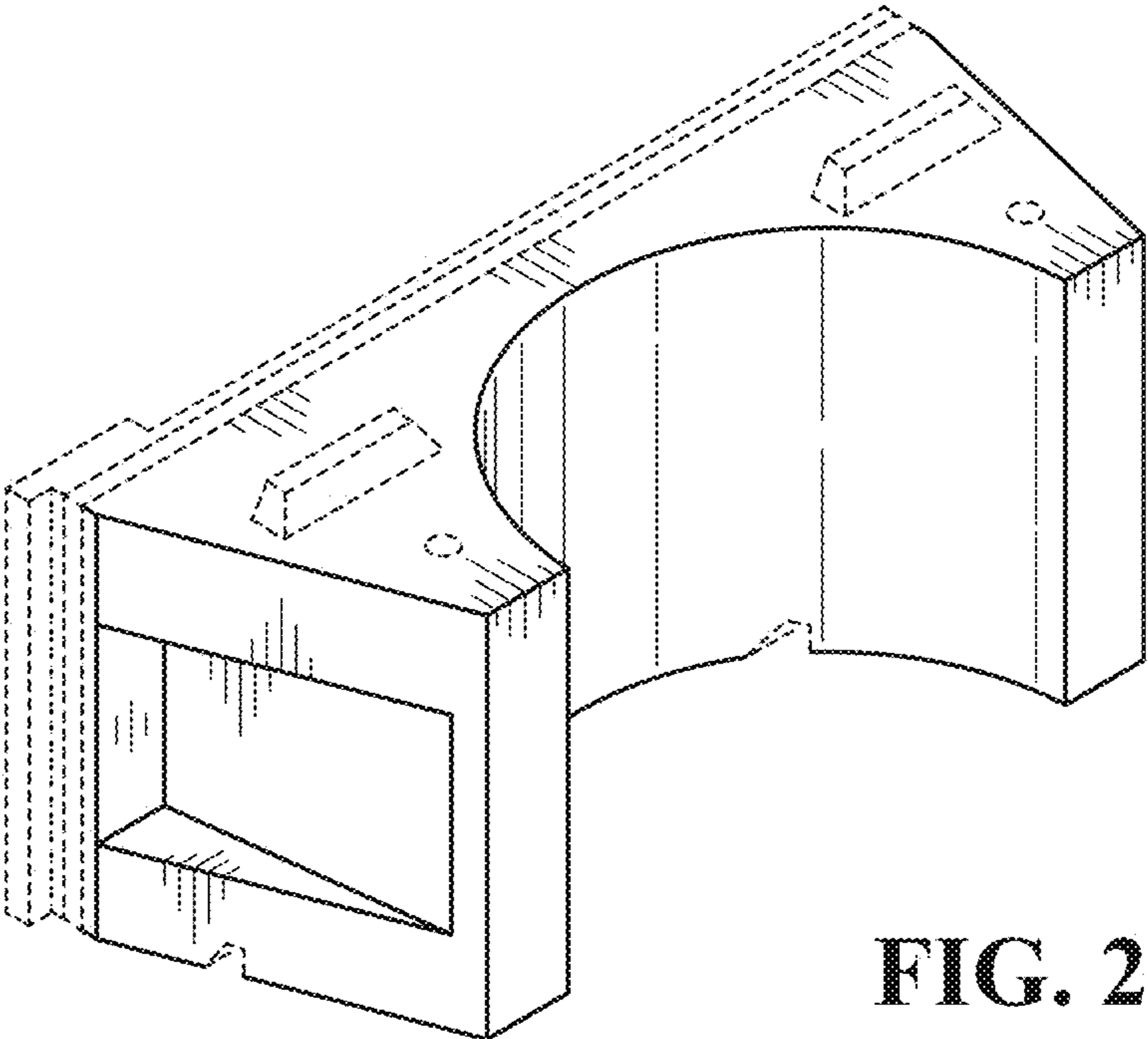


FIG. 2

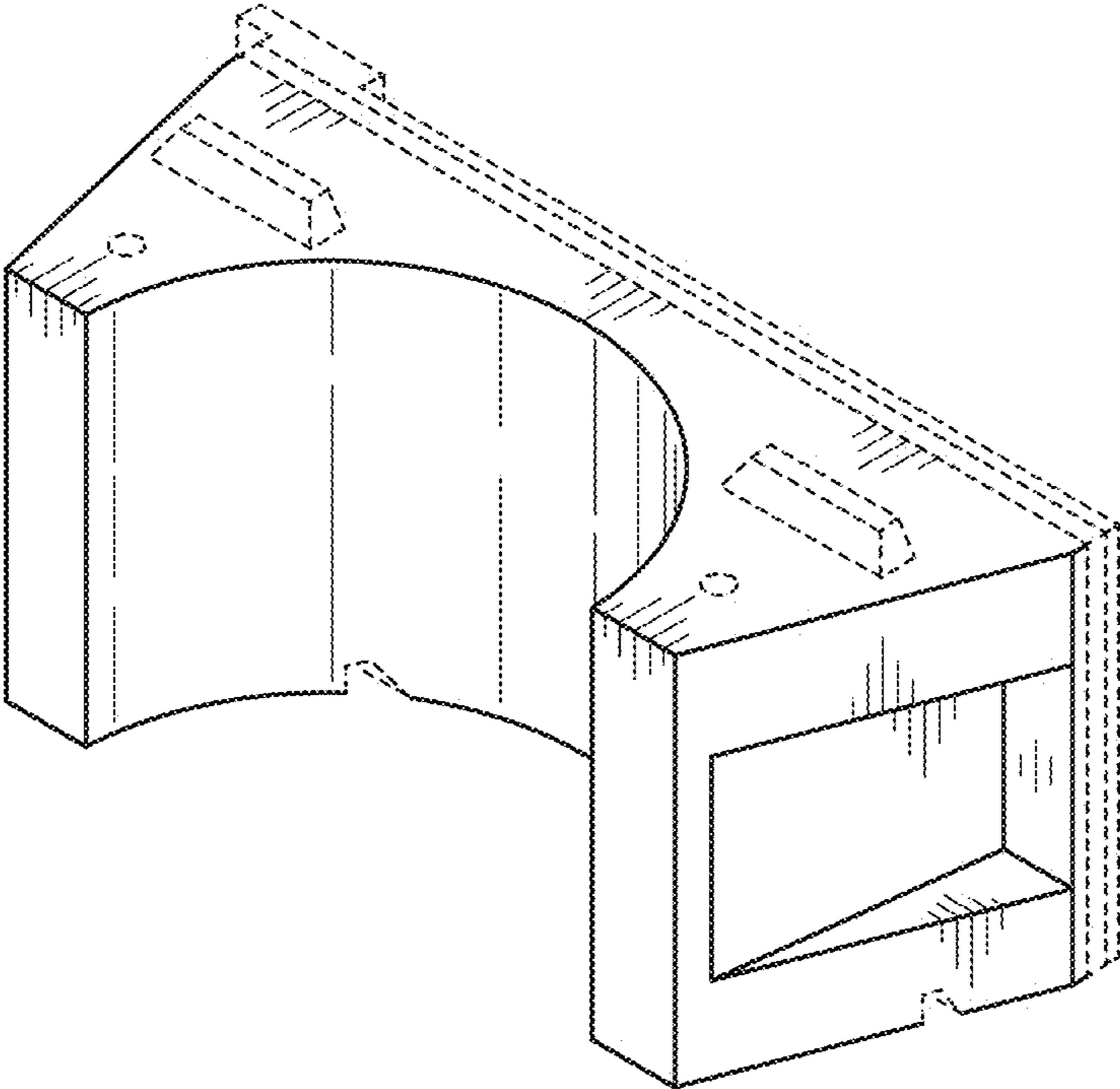


FIG. 3

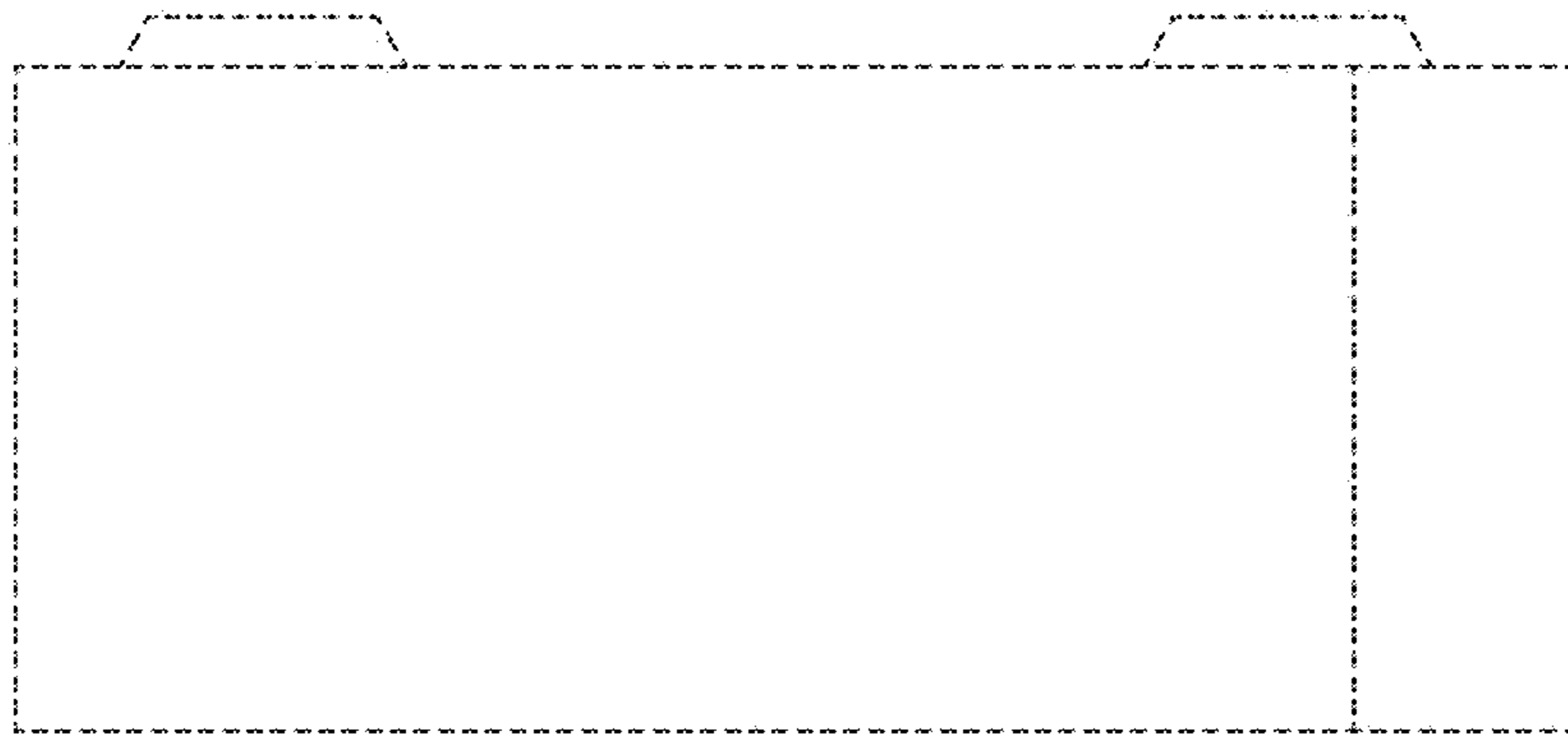


FIG. 4

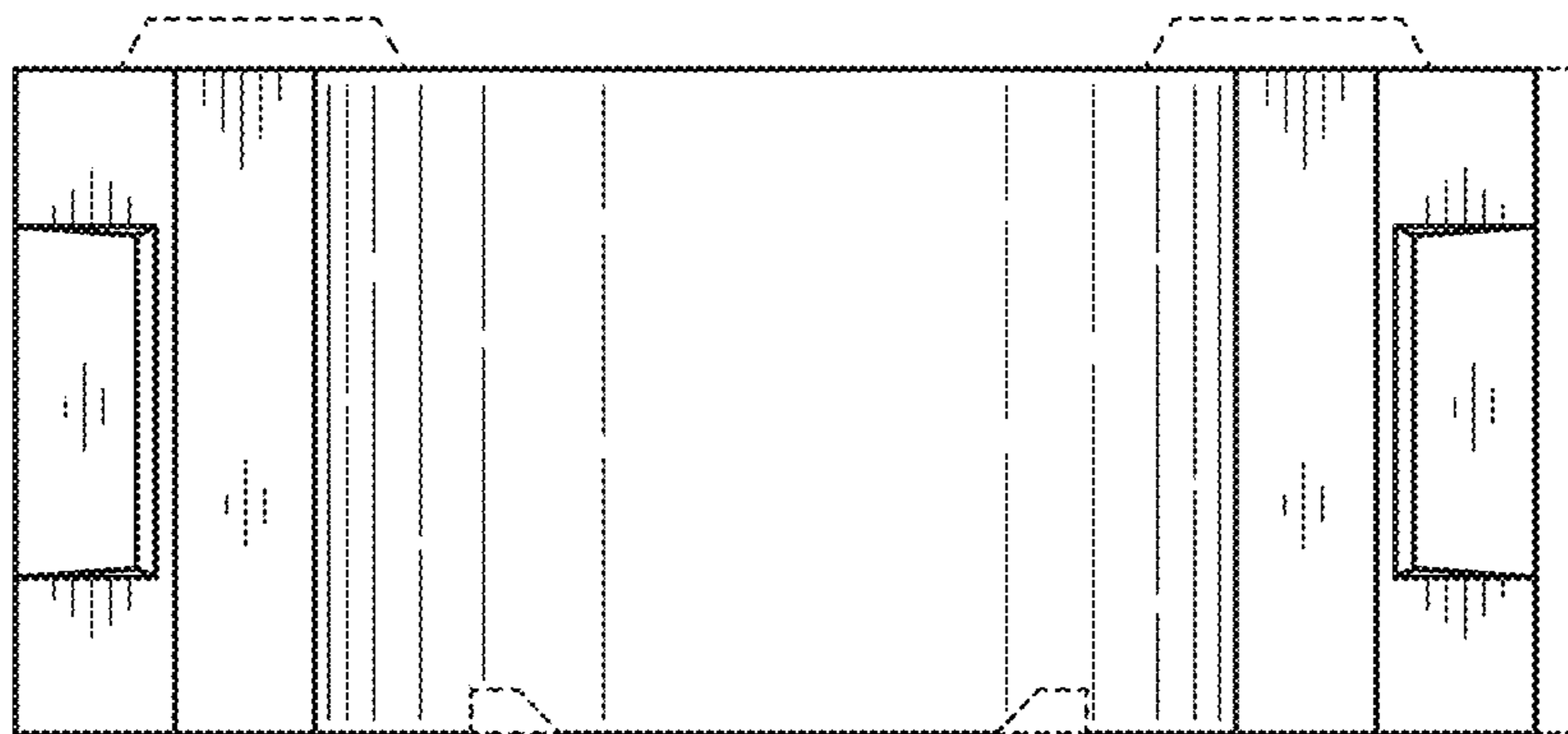


FIG. 5

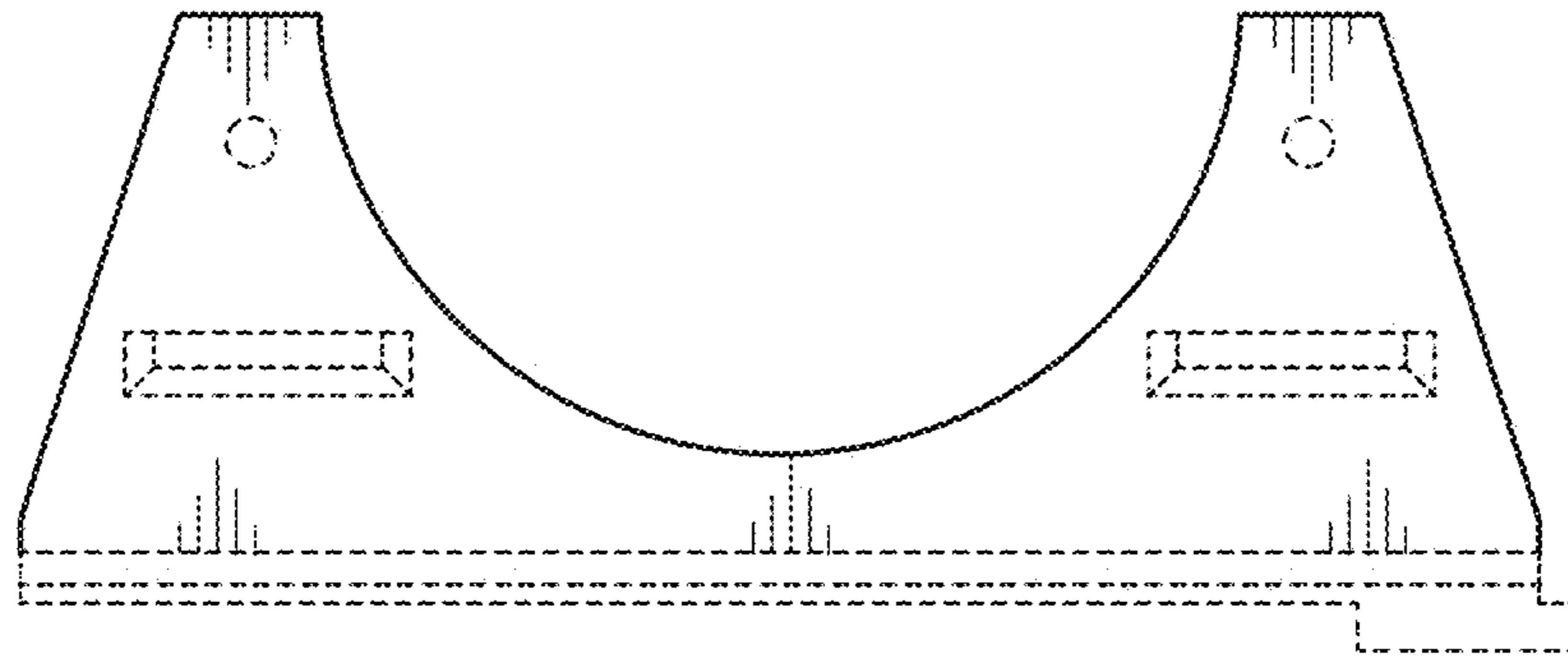


FIG. 6

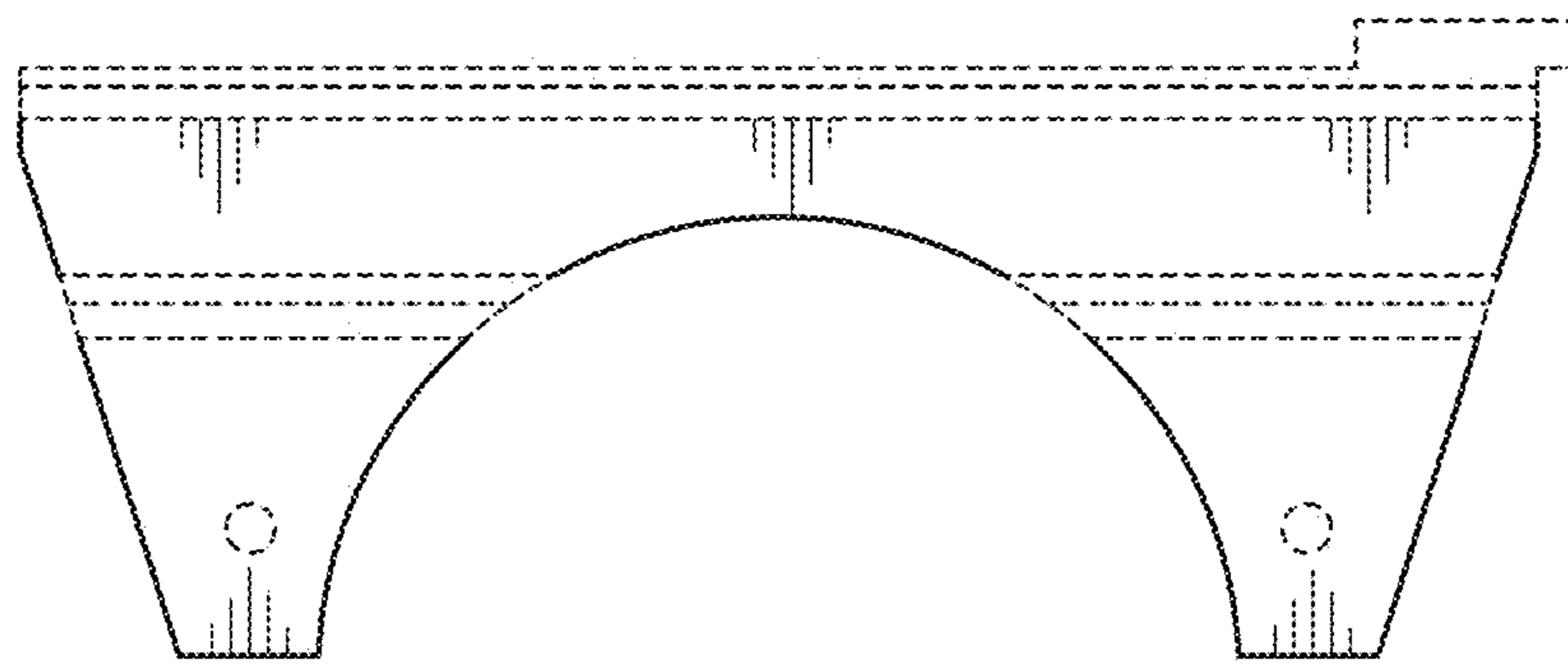


FIG. 7

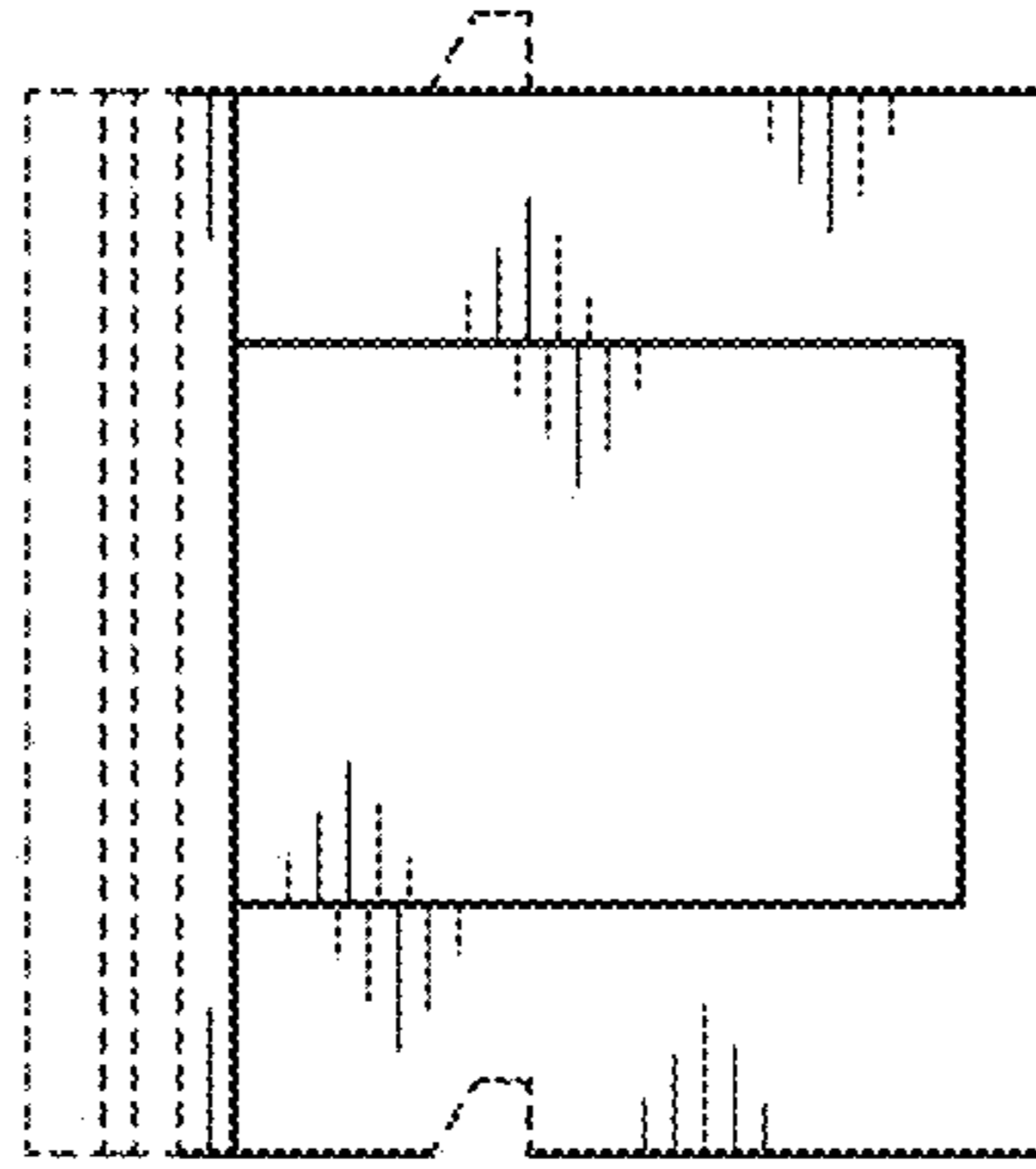


FIG. 8

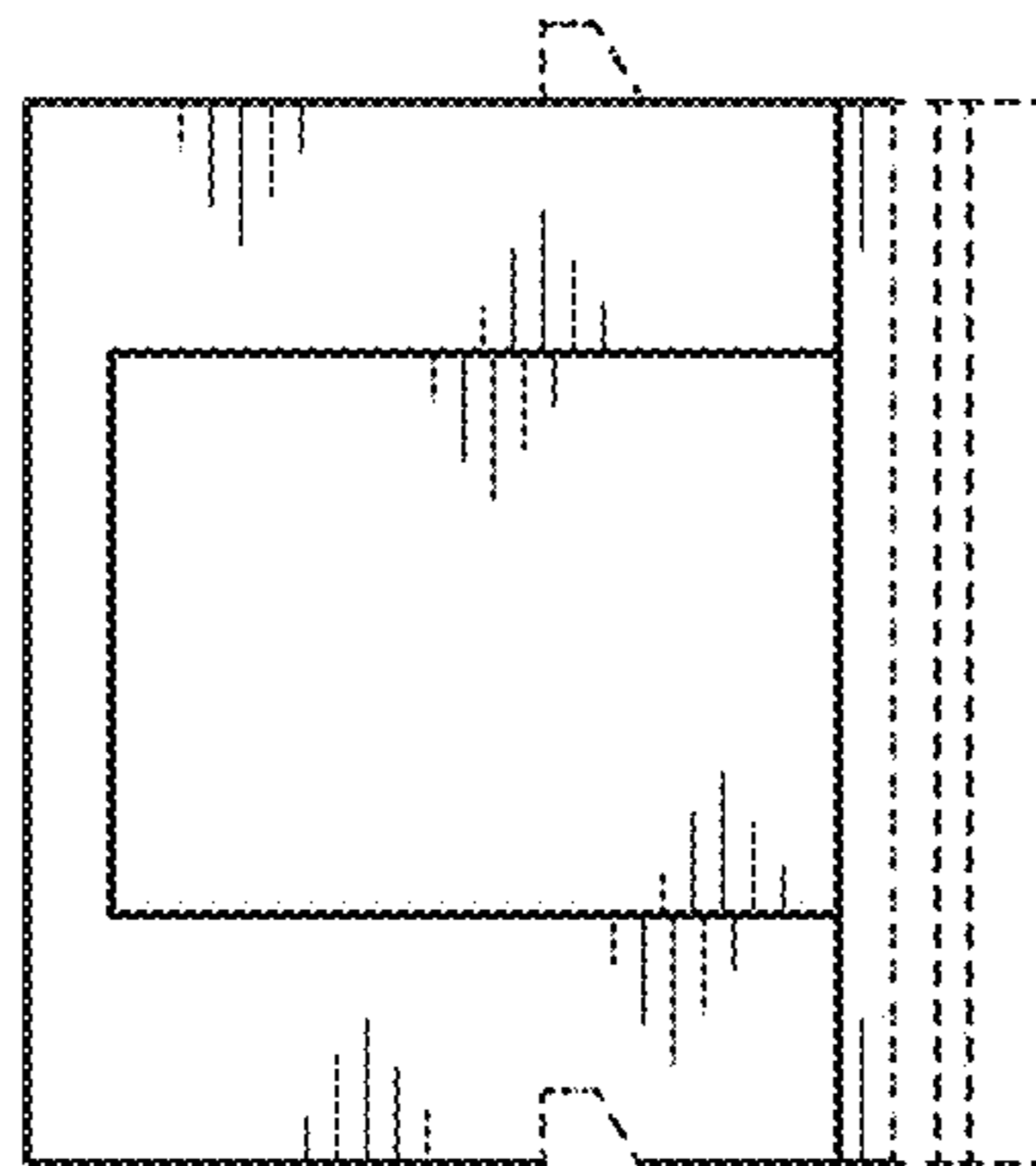


FIG. 9