



US00D895152S

(12) **United States Design Patent** (10) **Patent No.:** **US D895,152 S**
Moss et al. (45) **Date of Patent:** **** Sep. 1, 2020**

(54) **LADDER** 6,364,057 B1 * 4/2002 Cornejo E06C 7/006
182/106
(71) Applicant: **Wing Enterprises, Incorporated,** 6,779,632 B1 * 8/2004 Parks, III E06C 1/39
Springville, UT (US) 182/200
D548,364 S * 8/2007 Skubic D25/64
(72) Inventors: **N. Ryan Moss,** Mapleton, UT (US); D554,771 S * 11/2007 Skubic D25/64
Benjamin L. Cook, Provo, UT (US); 2007/0193828 A1 * 8/2007 Astor E06C 1/39
Sean R. Peterson, Santaquin, UT (US) 182/129
2007/0193829 A1 * 8/2007 Astor E06C 7/14
182/129
(73) Assignee: **WING ENTERPRISES,** 2010/0116592 A1 * 5/2010 Clements E06C 1/39
INCORPORATED, Springville, UT 182/180.1
(US) 2014/0332316 A1 * 11/2014 Tiber B26D 7/01
182/129

(**) Term: **15 Years**

* cited by examiner

(21) Appl. No.: **29/591,520**

Primary Examiner — Gino Colan

(22) Filed: **Jan. 20, 2017**

(74) *Attorney, Agent, or Firm* — Dorsey & Whitney LLP

Related U.S. Application Data

(62) Division of application No. 29/501,490, filed on Sep. 4, 2014, now Pat. No. Des. 777,350.

(51) **LOC (12) Cl.** **25-04**

(52) **U.S. Cl.**
USPC **D25/64**

(58) **Field of Classification Search**
USPC D25/62–69; 182/156, 152, 162, 112,
182/113, 215, 220, 120, 106, 23, 26, 115,
182/129, 201, 207, 103, 245, 2.11, 102,
182/151, 107, 21, 180.1, 194, 130, 132,
182/67.4, 157, 161, 230; 248/210
CPC . E06C 1/393; E06C 1/387; E06C 1/39; E06C
1/383; E06C 1/32; E06C 7/14
See application file for complete search history.

(56) **References Cited**

U.S. PATENT DOCUMENTS

1,935,349 A * 11/1933 Breslow E06C 1/32
182/178.4
4,027,741 A * 6/1977 Derrick E06C 1/32
16/267

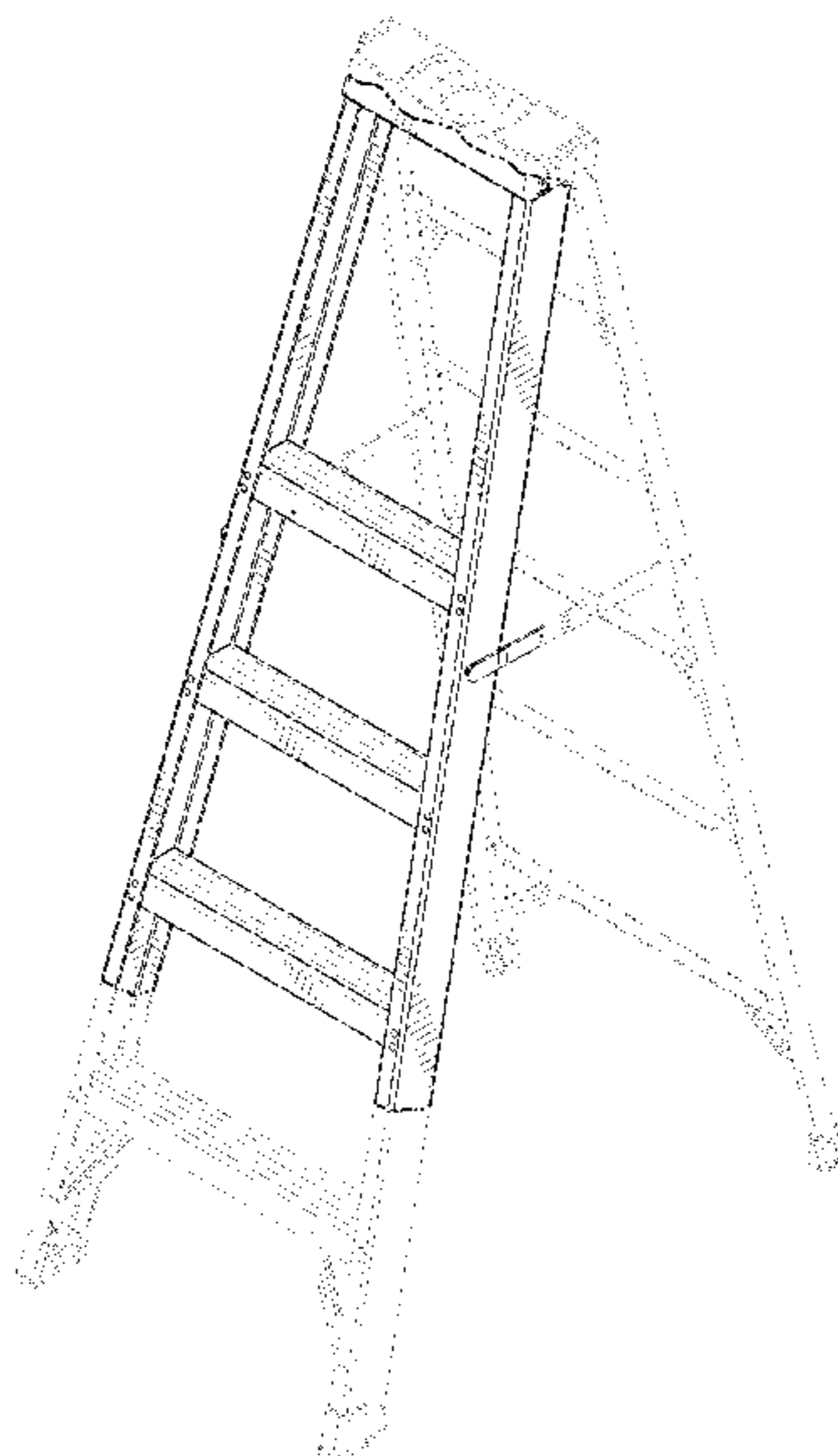
(57) **CLAIM**

The ornamental design for a ladder, as shown and described.

DESCRIPTION

FIG. 1 is a perspective view of a ladder showing our new design;
FIG. 2 is a front view of the ladder shown in FIG. 1;
FIG. 3 is a rear view of the ladder shown in FIG. 1;
FIG. 4 is a left side view of the ladder shown in FIG. 1;
FIG. 5 is a right side view of the ladder shown in FIG. 1; and,
FIG. 6 is a top view of the ladder shown in FIG. 1.
The dashed-dot-dot-dashed broken lines in the drawings are shown for the purpose of illustrating portions of the ladder that form no part of the claimed design.

1 Claim, 6 Drawing Sheets



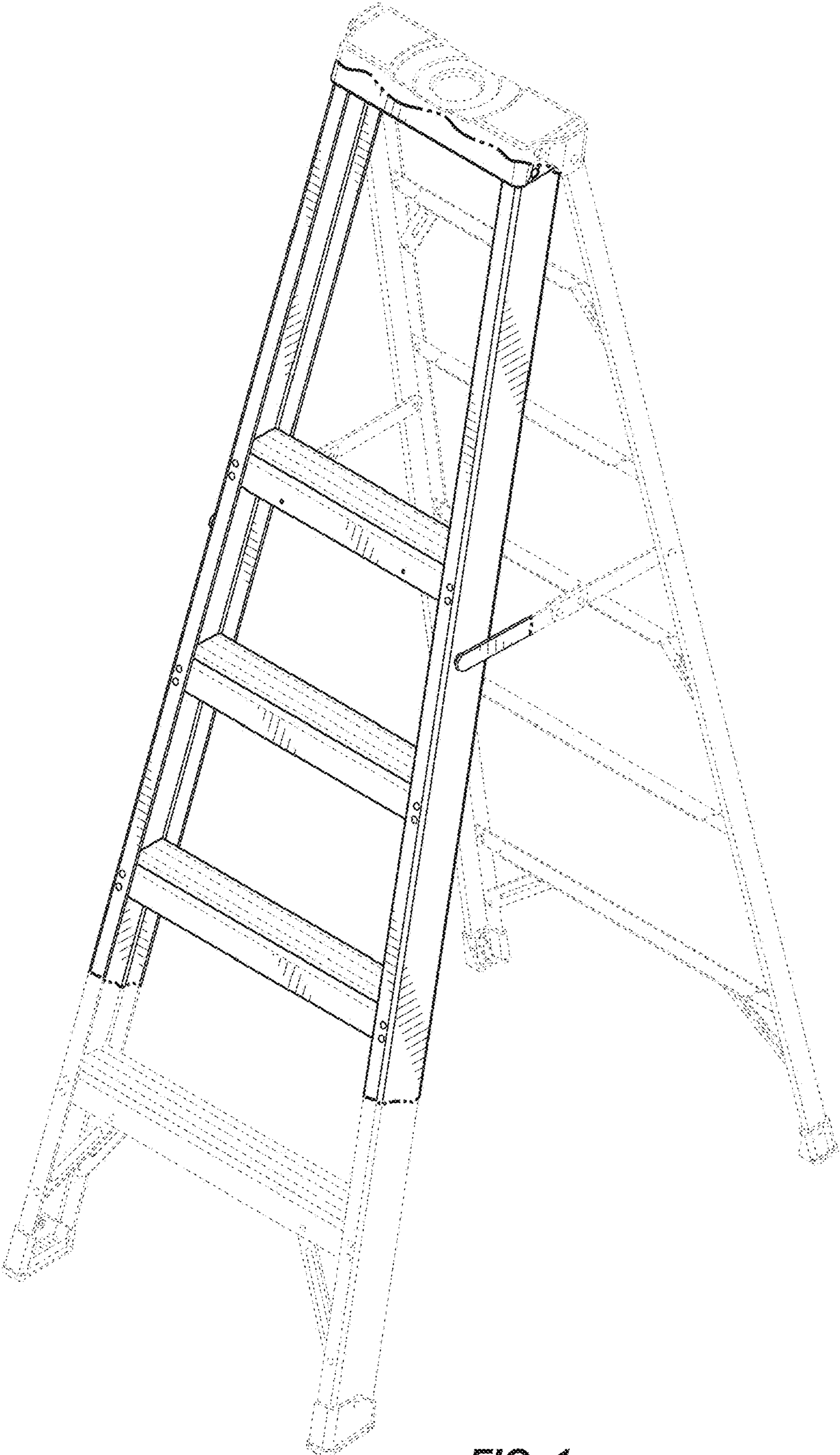


FIG. 1

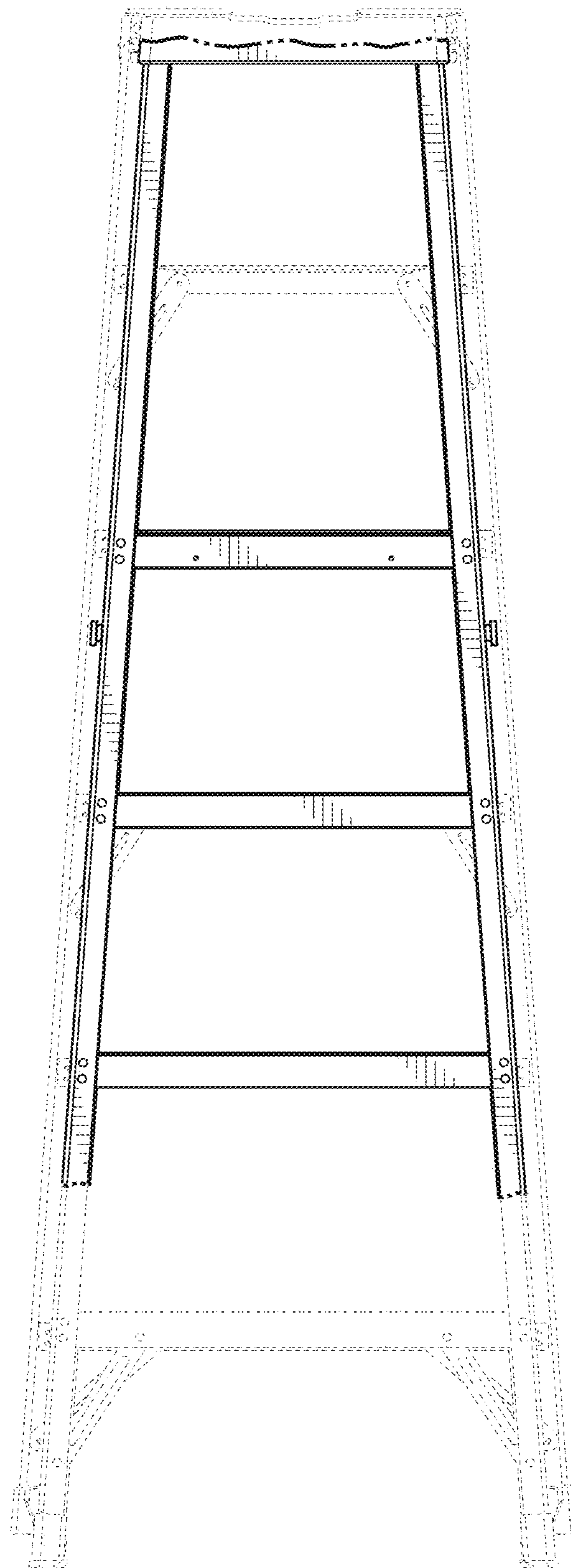


FIG. 2

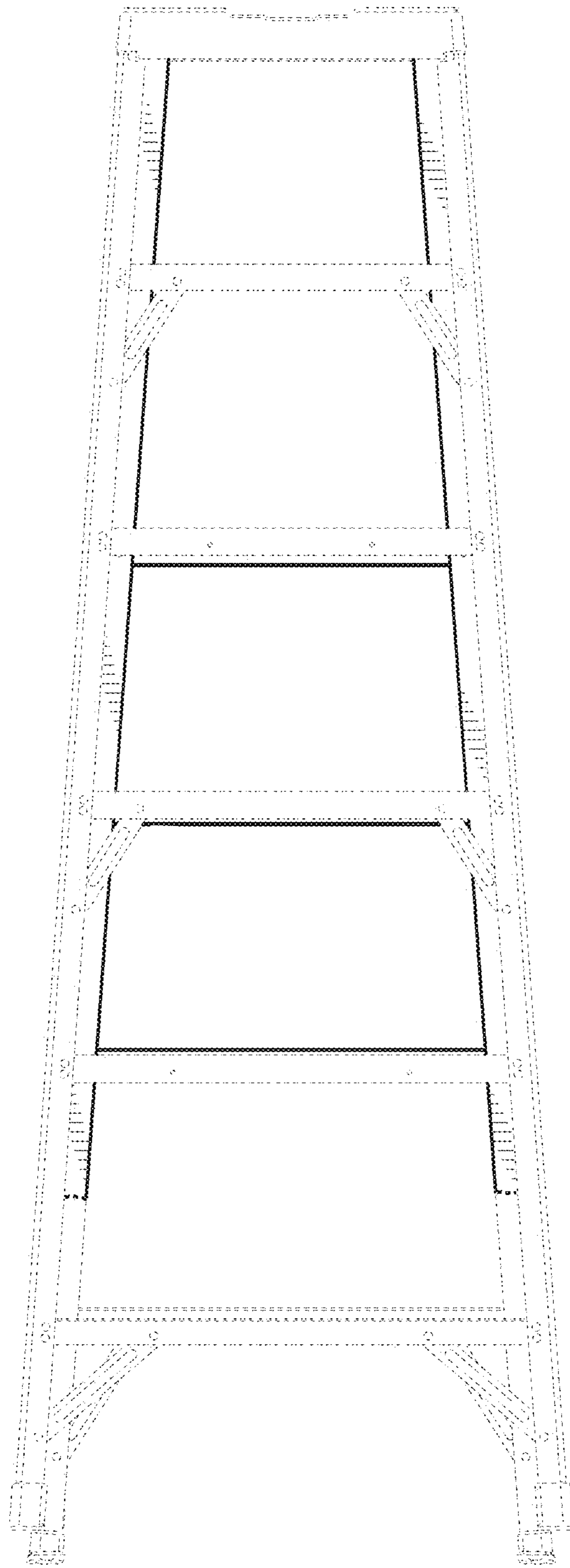


FIG. 3

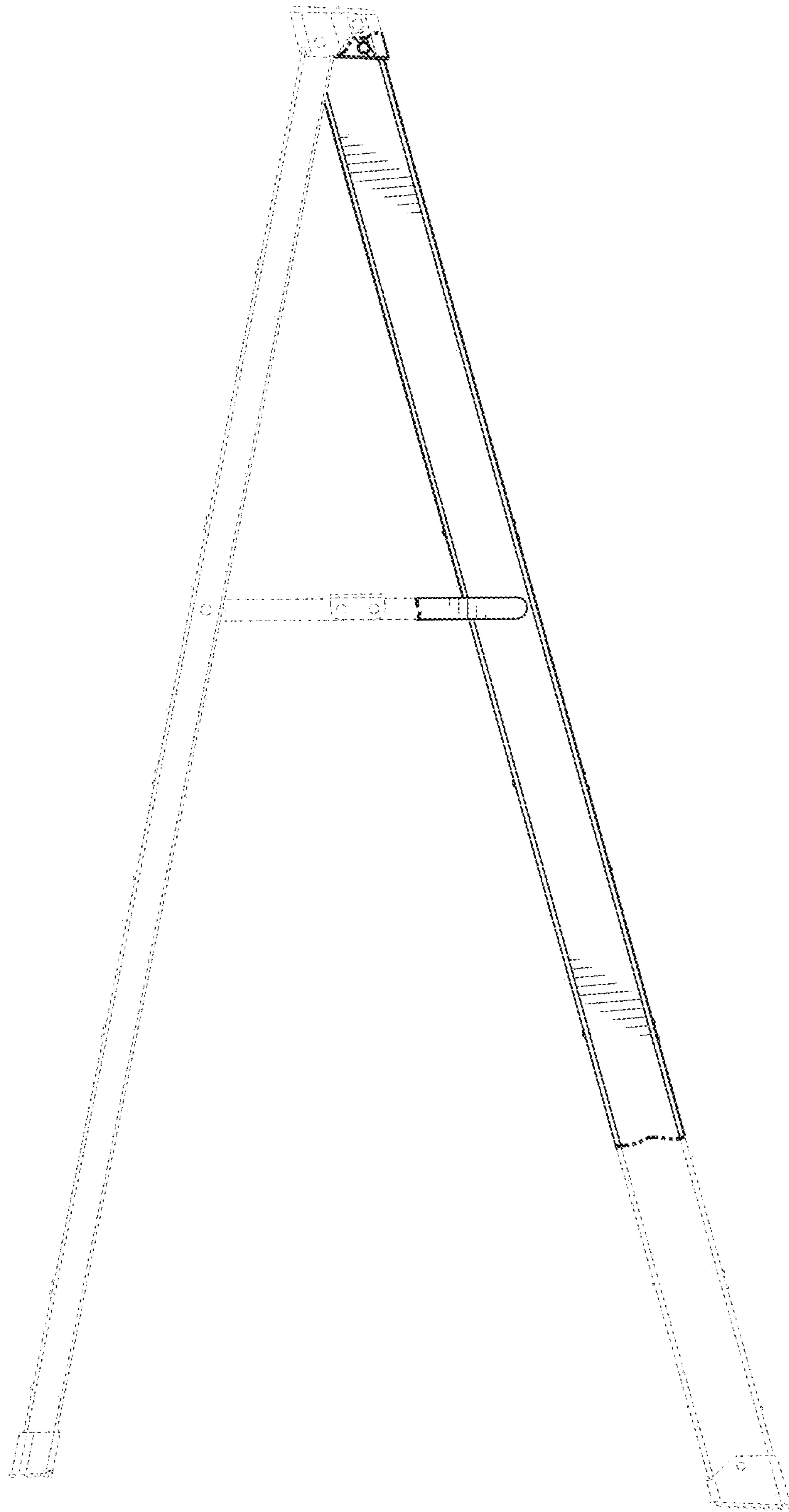


FIG. 4

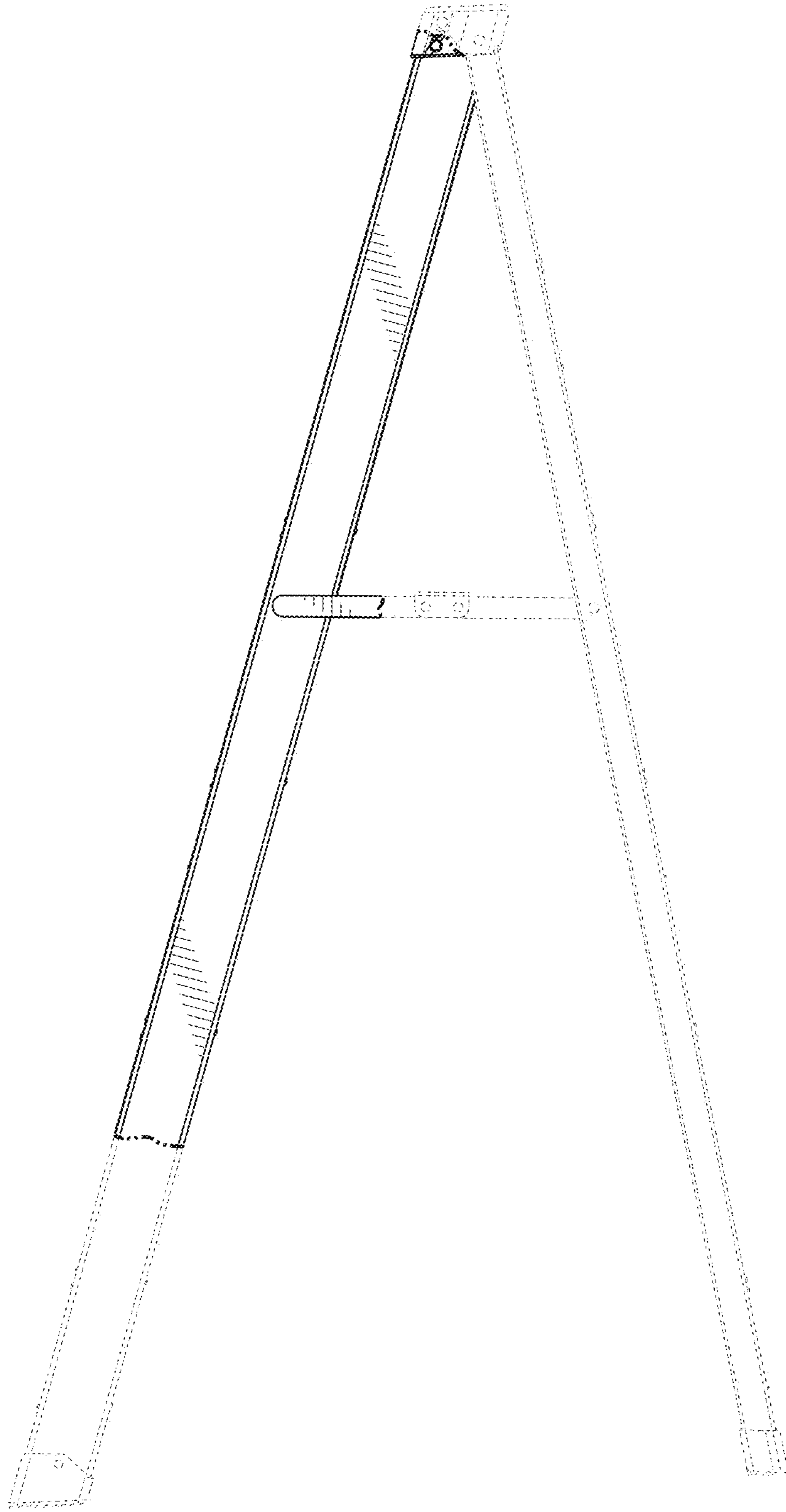


FIG. 5

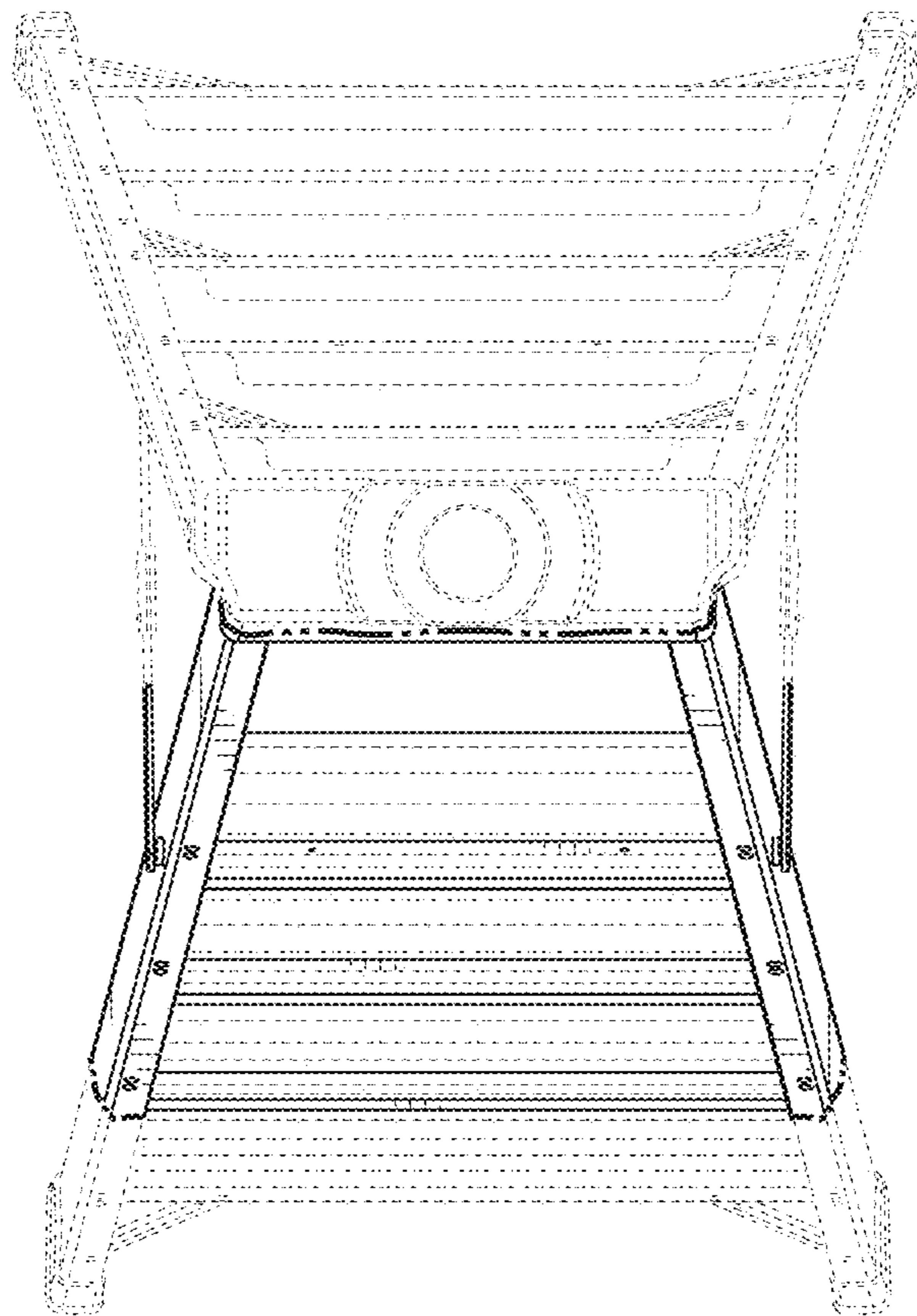


FIG. 6