



US00D895151S

(12) **United States Design Patent** (10) **Patent No.:** **US D895,151 S**  
**Giugiaro** (45) **Date of Patent:** **\*\* Sep. 1, 2020**

(54) **PASSAGE-GATE**  
(71) Applicant: **Solari di Udine SPA**, Udine (IT)  
(72) Inventor: **Fabrizio Giugiaro**, Udine (IT)  
(73) Assignee: **SOLARI DI UDINE SPA**, Udine (IT)  
(\*\*) Term: **15 Years**

D823,482 S \* 7/2018 Huff ..... D25/48.6  
D825,781 S \* 8/2018 Behrooznia ..... D25/48.6  
2009/0110341 A1\* 4/2009 Burgin ..... E06B 11/08  
384/620  
2017/0243415 A1\* 8/2017 Huff ..... G07C 9/00071

(21) Appl. No.: **29/634,712**  
(22) Filed: **Jan. 24, 2018**

**FOREIGN PATENT DOCUMENTS**

CN 302233987 \* 12/2012  
CN 303404992 \* 10/2015

(30) **Foreign Application Priority Data**

Jul. 24, 2017 (IT) ..... 402017000083917

**OTHER PUBLICATIONS**

Giugiaro Architectura <https://www.giugiaroarchitettura.it/industrialdesign/solari-udine/> Nov. 2018 (Year: 2018).\*

(51) **LOC (12) Cl.** ..... **25-02**  
(52) **U.S. Cl.**  
USPC ..... **D25/48.6**  
(58) **Field of Classification Search**  
USPC ..... D20/2; D25/48.1, 48.3, 48.5, 48.6  
CPC ..... E06B 11/00; E06B 11/08; E06B 11/085;  
E05F 15/649; G07C 9/00; G07C 9/00007;  
G07C 9/00071; H04N 5/23206  
See application file for complete search history.

\* cited by examiner

*Primary Examiner* — Leanne Was-Englehart

(56) **References Cited**

**U.S. PATENT DOCUMENTS**

D212,289 S \* 9/1968 Ensign ..... D25/48.6  
D234,431 S \* 3/1975 McGehee ..... D25/48.6  
D696,792 S \* 12/2013 Cheong ..... D25/48.5  
D777,346 S \* 1/2017 Journet ..... D25/48.5  
D782,700 S \* 3/2017 Rauta ..... D25/48.5  
D795,452 S \* 8/2017 Rauta ..... D25/48.5  
D799,061 S \* 10/2017 Rauta ..... D25/48.5

(74) *Attorney, Agent, or Firm* — Birch, Stewart, Kolasch & Birch, LLP

(57) **CLAIM**

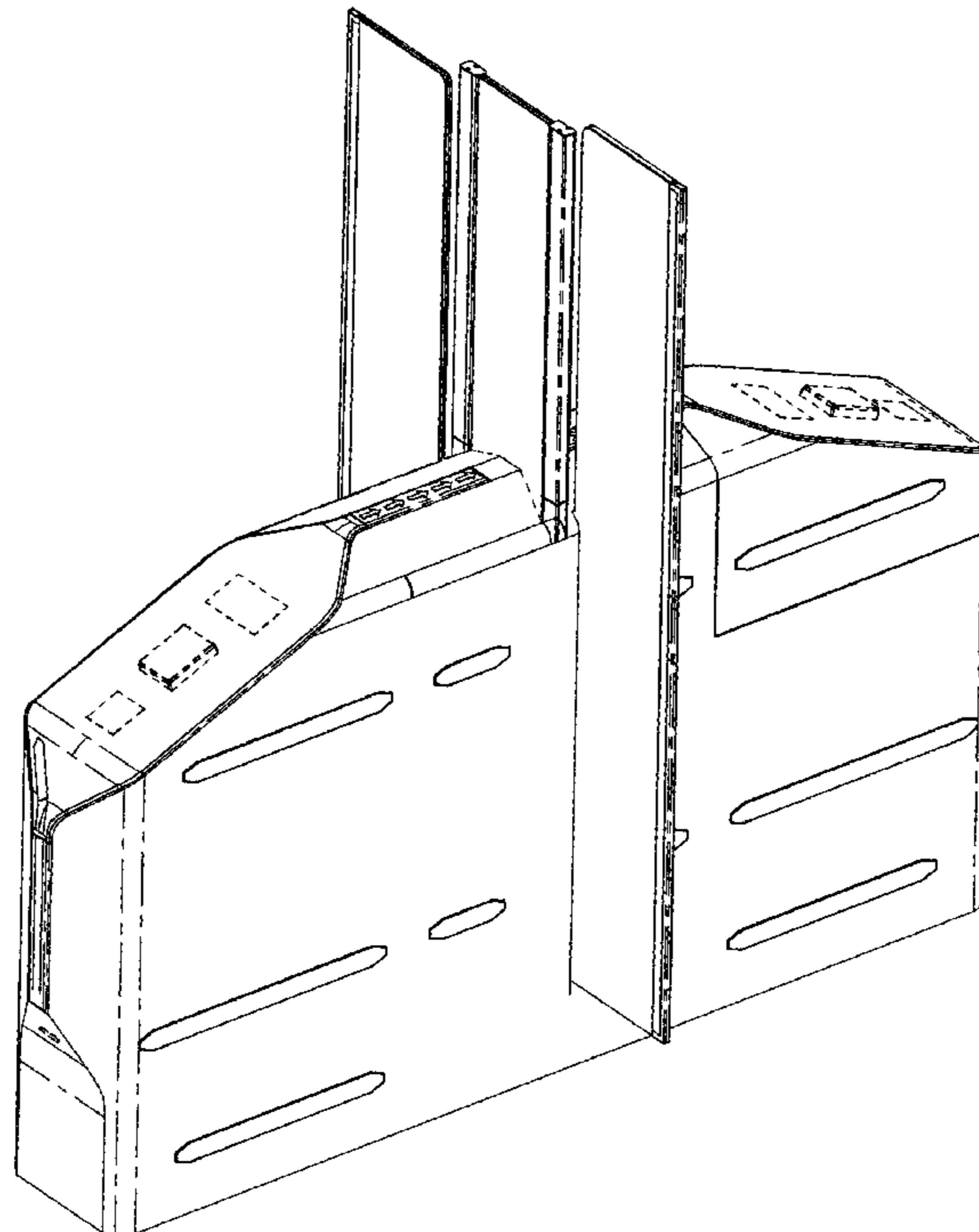
The ornamental design for a passage-gate, as shown and described.

**DESCRIPTION**

FIG. 1 is a front view of a passage-gate (i.e. for train or subway stations) showing my new design;  
FIG. 2 is a 3D front view thereof;  
FIG. 3 is a top view thereof;  
FIG. 4 is a side view thereof; and,  
FIG. 5 is a rear view thereof.

The portions of the drawings illustrated in broken lines are directed to the environment of the design and form no part of the claimed design.

**1 Claim, 5 Drawing Sheets**



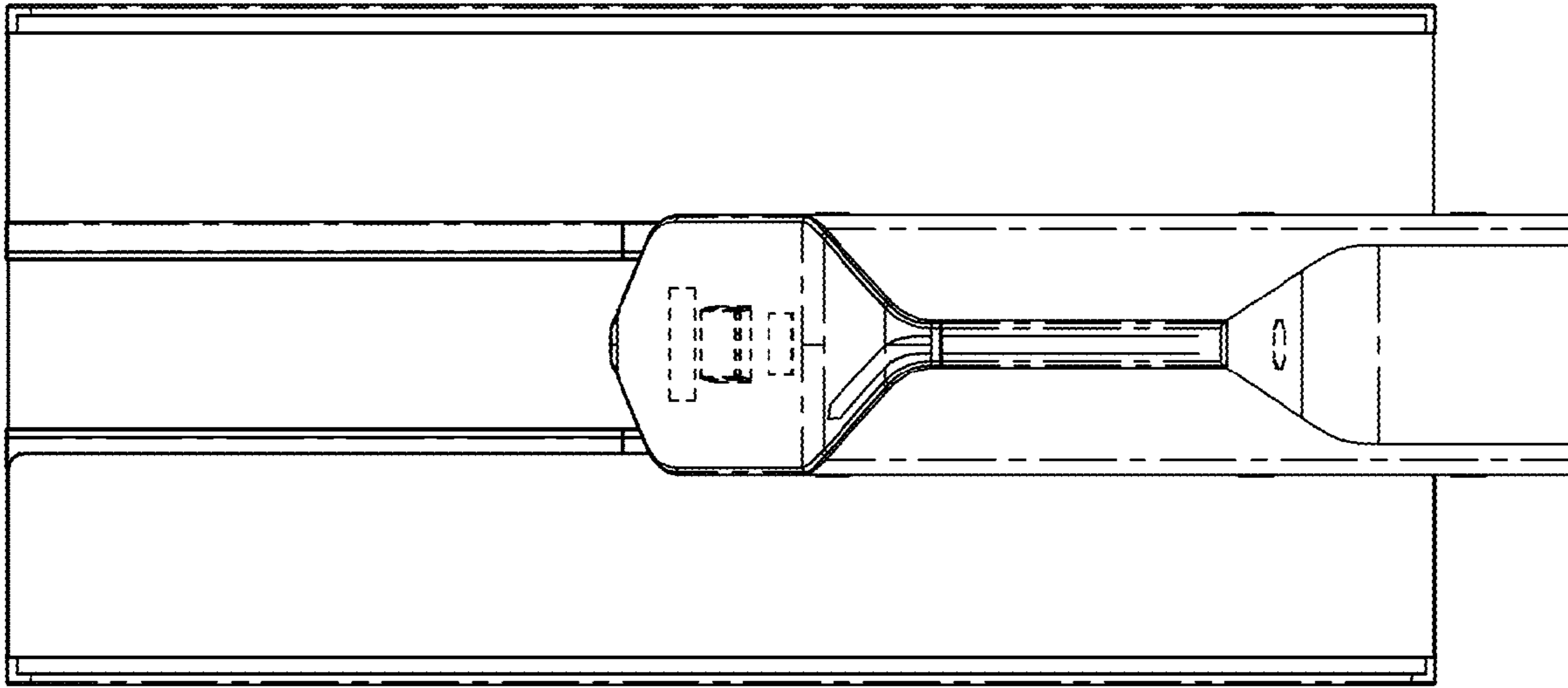


Fig. 1

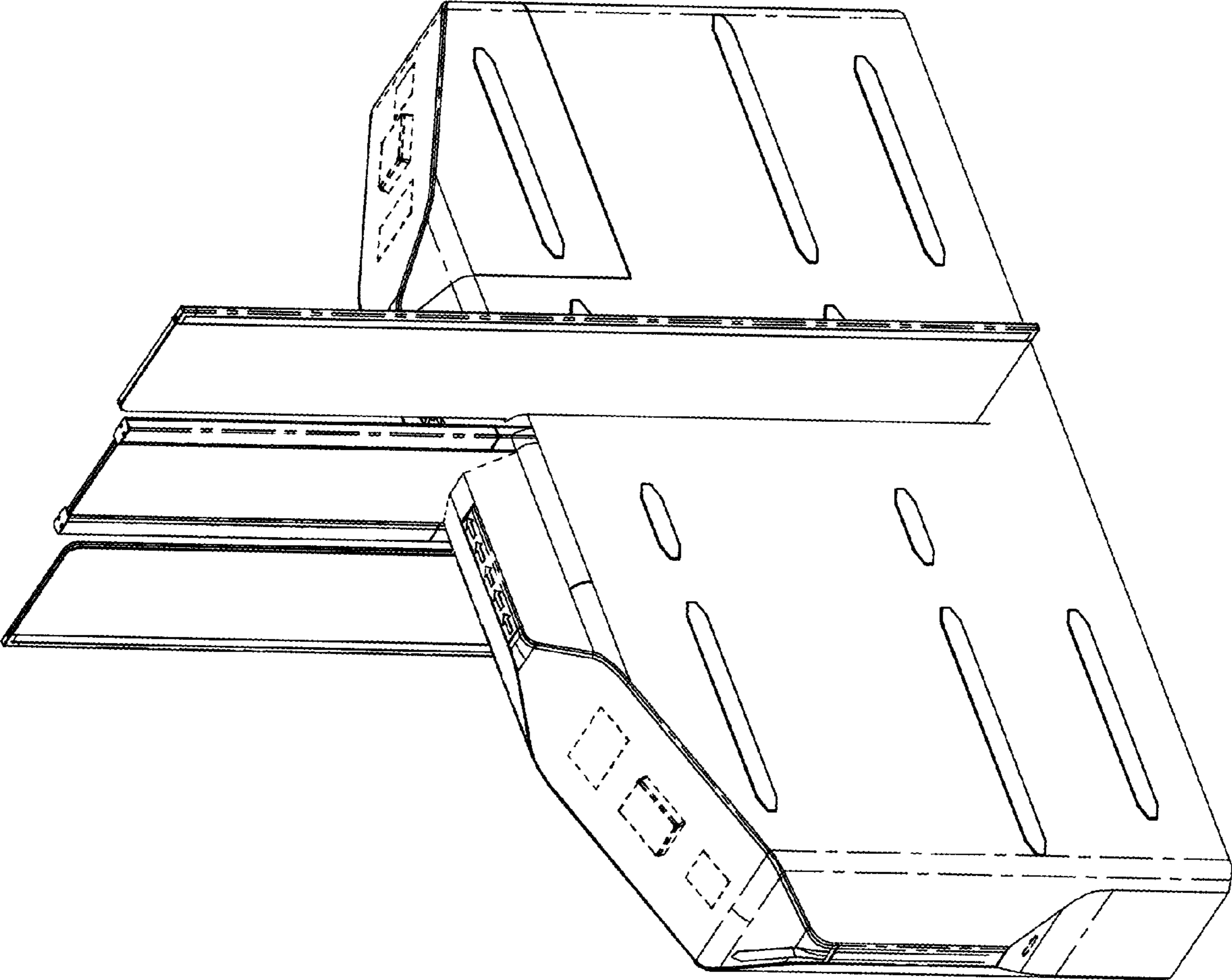


Fig. 2

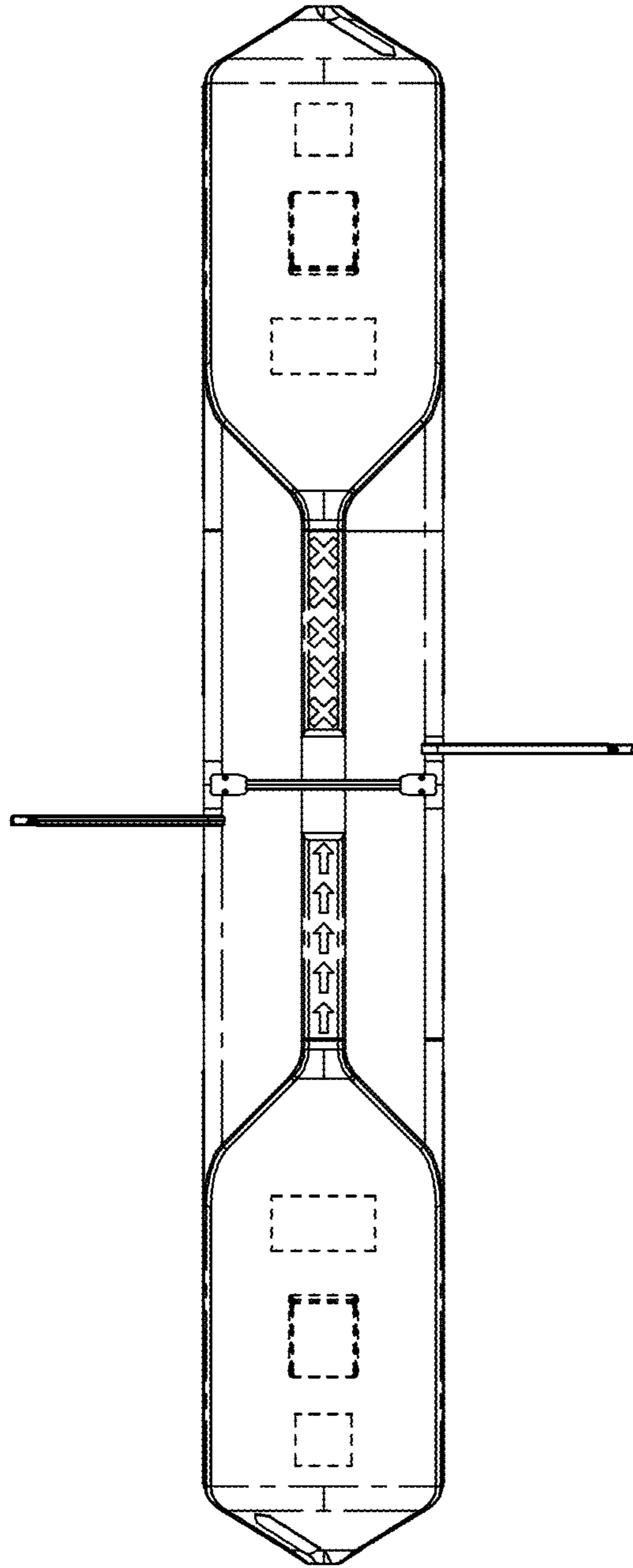


Fig. 3

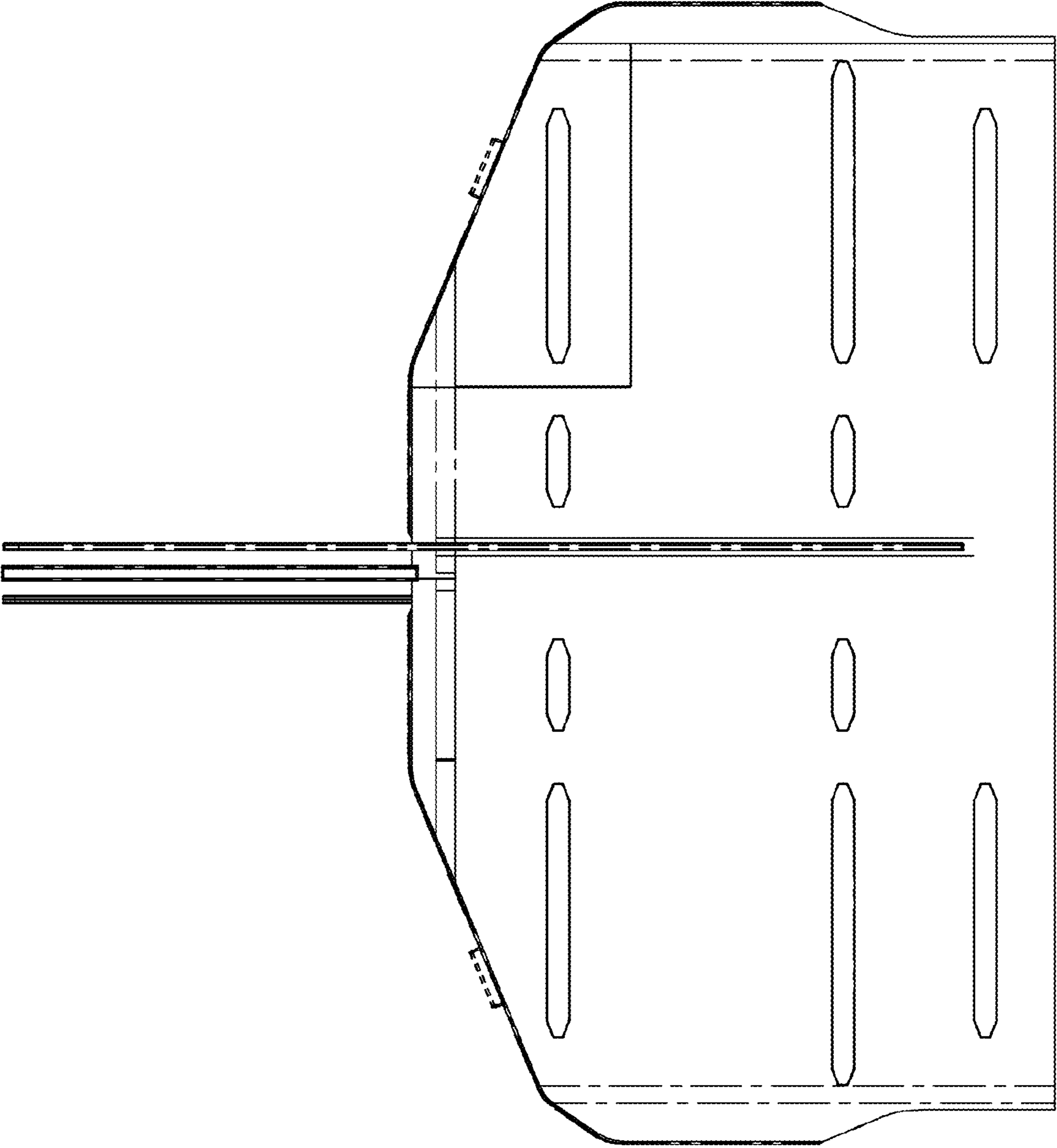


Fig. 4

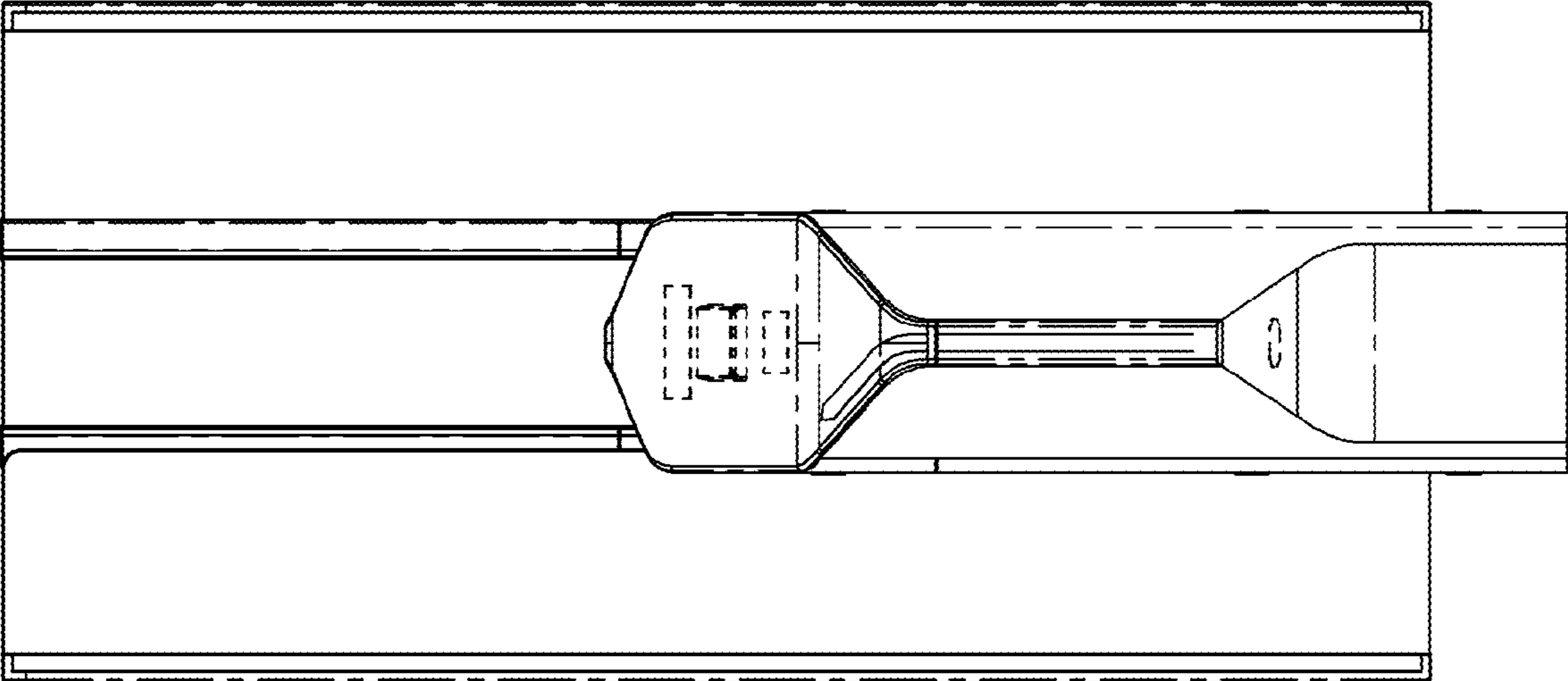


Fig. 5