



US00D895149S

(12) **United States Design Patent** (10) **Patent No.:** **US D895,149 S**
Hulle (45) **Date of Patent:** **** Sep. 1, 2020**

(54) **DWELLING** 3,730,796 A * 5/1973 Richards E04B 1/14
 D25/18
 (71) Applicant: **Robert Van Hulle**, Emeryville, CA D233,429 S * 10/1974 Buck-Pitt D25/18
 (US) D236,108 S * 7/1975 Watkins D25/18
 D255,837 S * 7/1980 Leasure D25/18
 (72) Inventor: **Robert Van Hulle**, Emeryville, CA D300,662 S * 4/1989 Bass D25/31
 (US) D596,313 S * 7/2009 Perrine D25/1
 2005/0252100 A1 * 11/2005 Nord E04H 1/02
 52/79.4
 (**) Term: **15 Years** 2014/0008359 A1 * 1/2014 Ferren E04H 3/08
 220/1.5

(21) Appl. No.: **29/670,939**
 (22) Filed: **Nov. 20, 2018**
 (51) **LOC (12) Cl.** **25-03**
 (52) **U.S. Cl.**
 USPC **D25/18; D25/4**
 (58) **Field of Classification Search**
 USPC D25/1, 3-35, 56, 58, 59, 61
 CPC . E04H 1/00-06; E04H 3/00-10; E04H 14/00;
 E04H 1/1205; E04H 9/14; E04B 1/10;
 E04B 1/12; E04B 1/04; E04B 1/24
 See application file for complete search history.

FOREIGN PATENT DOCUMENTS

CA 2816622 A1 * 5/2012 E04H 1/1205
 FR 2550264 A1 * 2/1985 E04H 6/08

* cited by examiner

Primary Examiner — Brett Miller
 (74) *Attorney, Agent, or Firm* — Jensen-Haxel Law

(57) **CLAIM**

The ornamental design for a dwelling, as shown and described.

DESCRIPTION

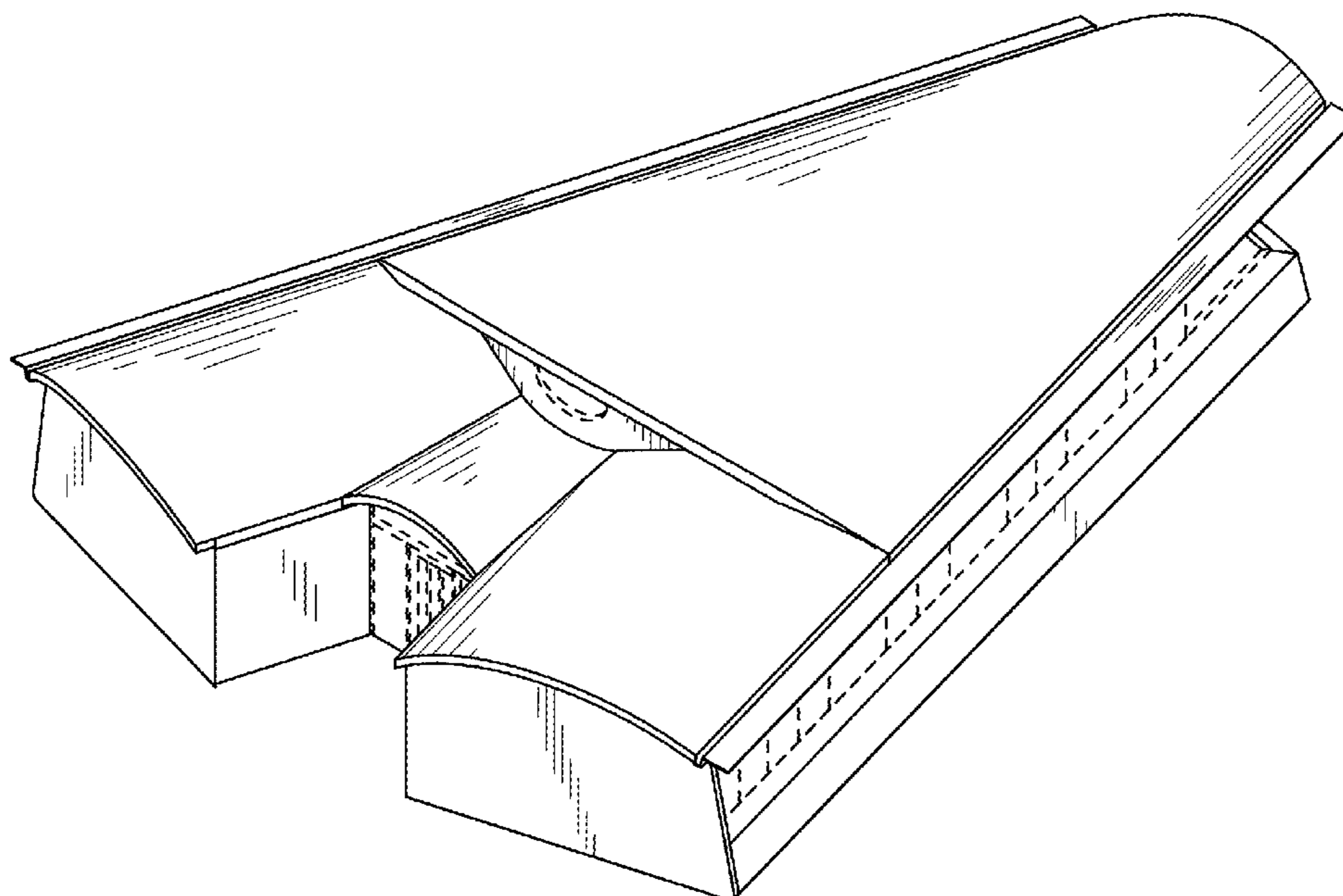
FIG. 1 is a perspective view of a dwelling, the perspective view partially from the front of the dwelling, partially from the right side of the dwelling, and partially from the top of the dwelling;
 FIG. 2 is a front view of the dwelling of FIG. 1;
 FIG. 3 is a back view of the dwelling of FIG. 1;
 FIG. 4 is a left side view of the dwelling of FIG. 1;
 FIG. 5 is a right side view of the dwelling of FIG. 1;
 FIG. 6 is a top view of the dwelling of FIG. 1; and,
 FIG. 7 is a bottom view of the dwelling of FIG. 1.
 The broken lines of FIG. 1 through FIG. 7 depict portions of the dwelling that form no part of the claimed design.

1 Claim, 7 Drawing Sheets

(56) **References Cited**

U.S. PATENT DOCUMENTS

2,154,897 A * 4/1939 Grant E04H 1/02
 52/79.4
 2,698,973 A * 1/1955 Zeckendorf E04H 1/04
 52/185
 D180,299 S * 5/1957 Siptrott D25/18
 D191,350 S * 9/1961 Horvat D25/3
 D205,445 S * 8/1966 Williams D25/18
 3,466,817 A * 9/1969 Hagel E04H 1/04
 52/30
 D216,252 S * 12/1969 Goodrich D25/4
 D216,954 S * 3/1970 Jenn D25/4
 D220,475 S * 4/1971 Brenner D25/18
 D222,743 S * 12/1971 Shaw D25/20
 D224,779 S * 9/1972 Grob D25/20



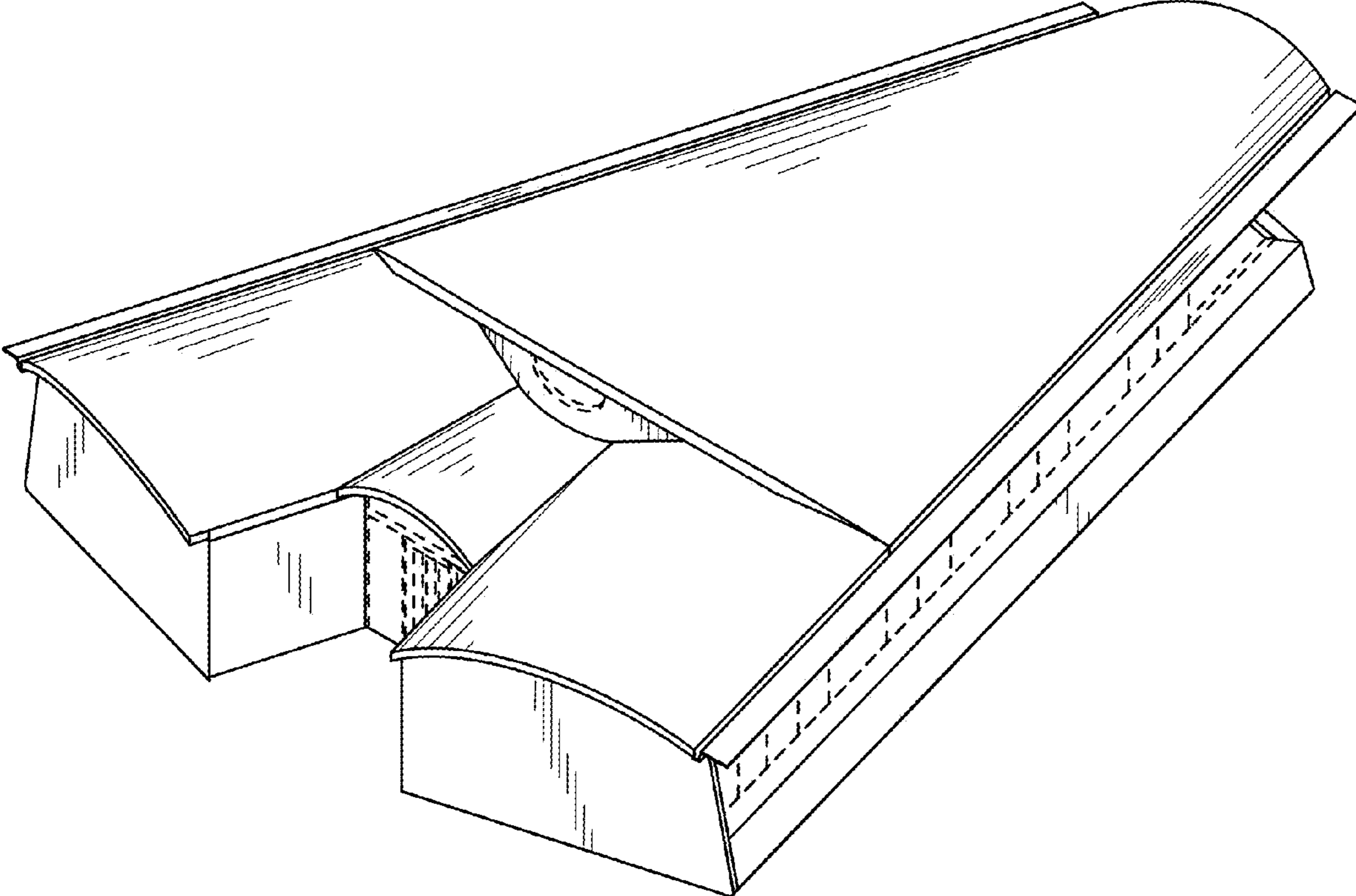


FIG. 1

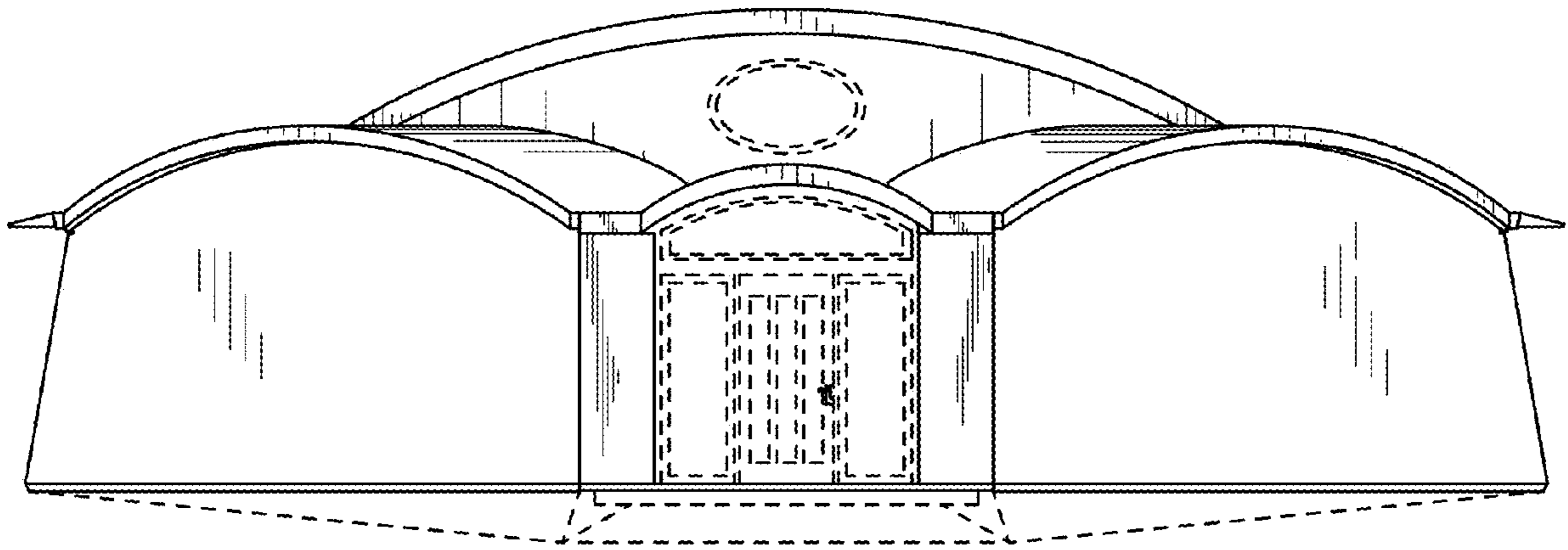


FIG. 2

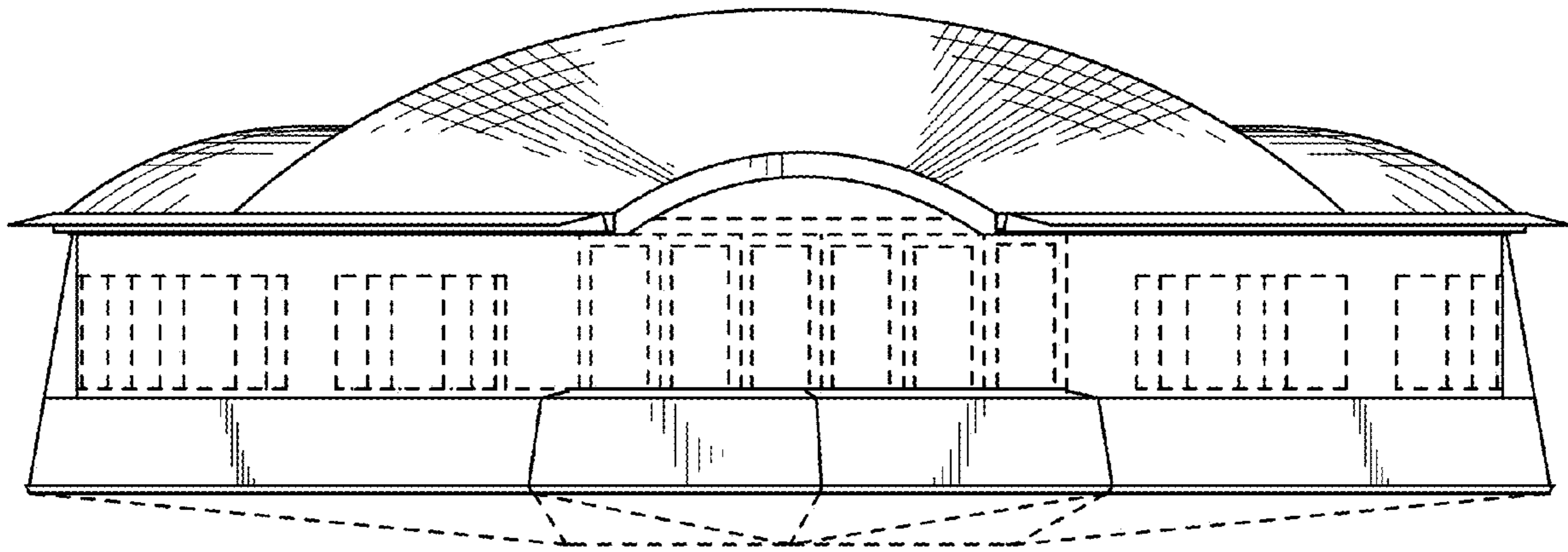


FIG. 3

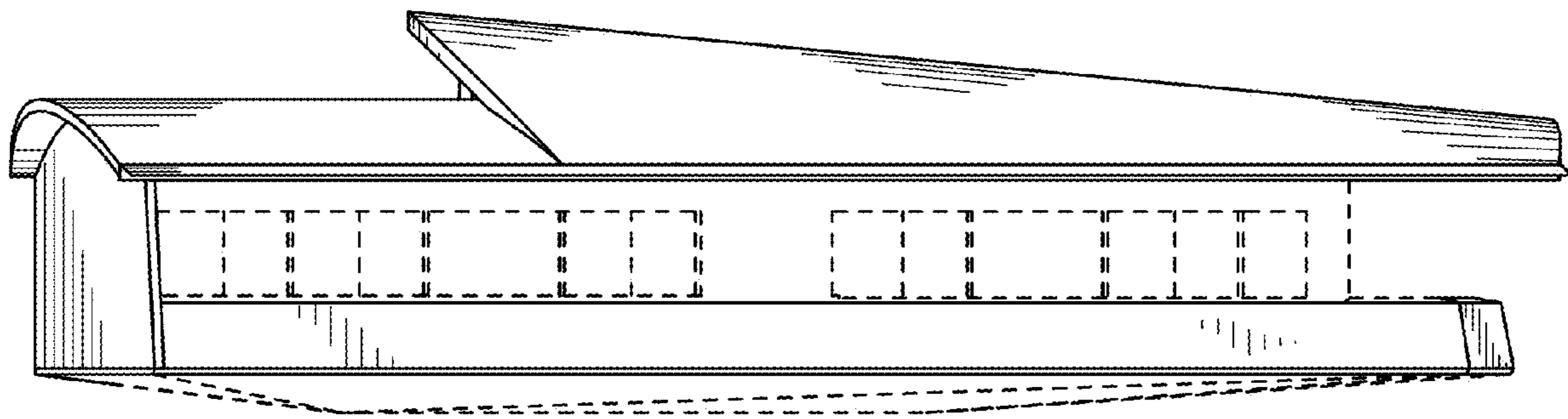


FIG. 4

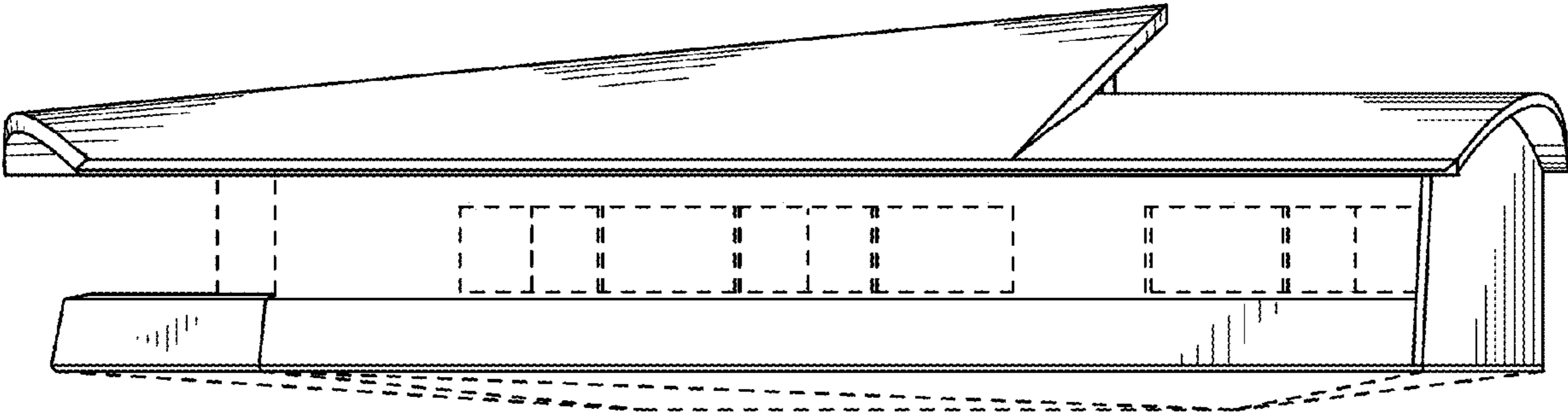


FIG. 5

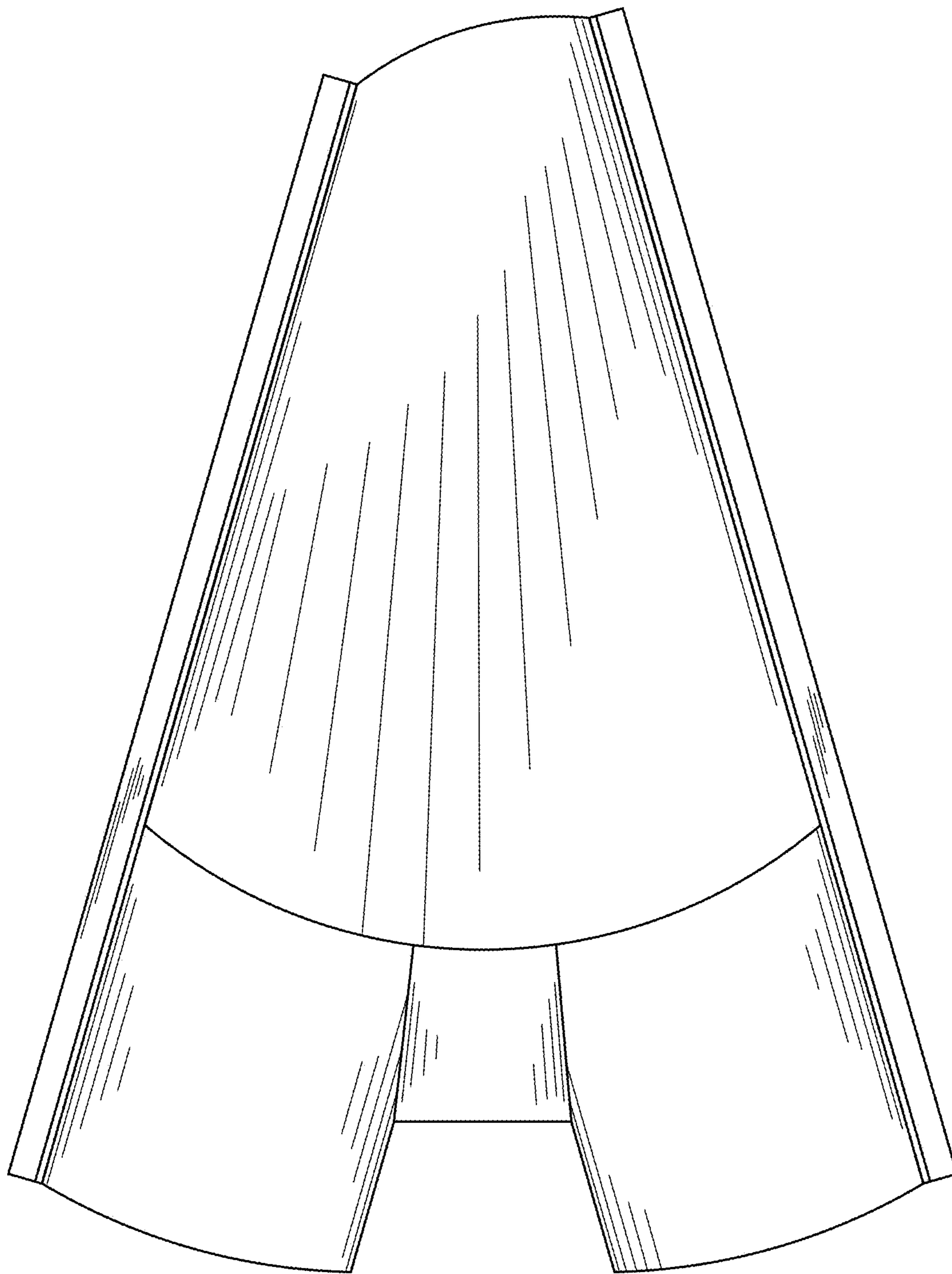


FIG. 6

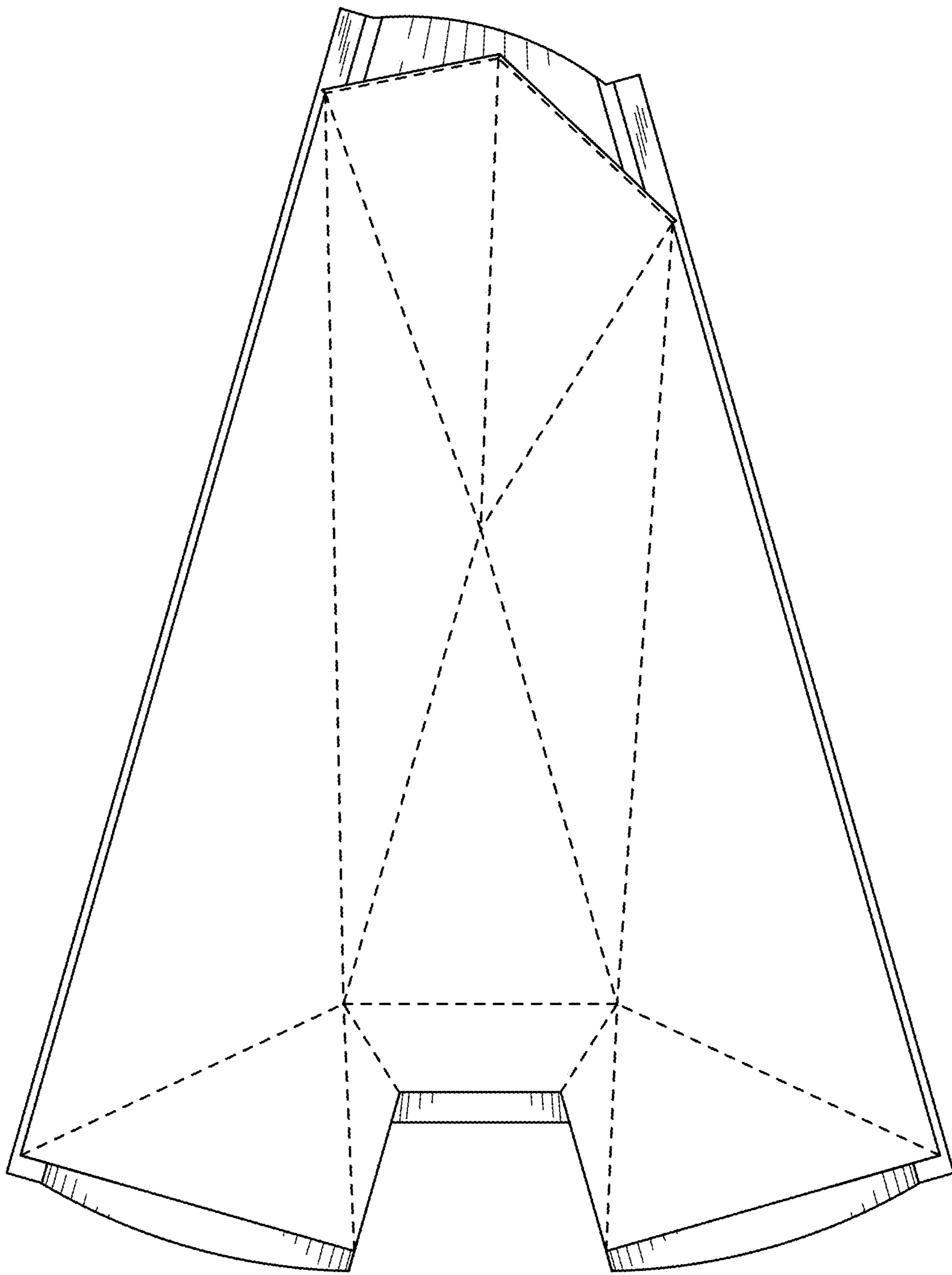


FIG. 7