



US00D895145S

(12) **United States Design Patent** (10) **Patent No.:** **US D895,145 S**  
**Smith et al.** (45) **Date of Patent:** **\*\* Sep. 1, 2020**

(54) **PACKAGE FOR MEDICAL DEVICE**  
(71) Applicant: **Millennium Pharmaceuticals, Inc.**,  
Cambridge, MA (US)  
(72) Inventors: **Carson Smith**, Hawthorn Woods, IL  
(US); **Richard A. Galas, Jr.**, Malden,  
MA (US); **Nobel Truong**, Milford, MA  
(US); **Tieming Ruan**, Belmont, MA  
(US); **Scott Boyer**, North Providence,  
RI (US)  
(73) Assignee: **Millennium Pharmaceuticals, Inc.**,  
Cambridge, MA (US)

6,228,324 B1 5/2001 Hasegawa et al.  
D445,198 S \* 7/2001 Frattini ..... D24/227  
D450,130 S \* 11/2001 Goldstein ..... D24/227  
D471,641 S \* 3/2003 McMichael ..... D24/227  
D526,193 S \* 8/2006 Heath ..... D9/425  
D565,743 S \* 4/2008 Phillips ..... D24/229  
D571,478 S \* 6/2008 Horacek ..... D24/217  
D608,015 S \* 1/2010 Sandel ..... D24/227  
D608,456 S \* 1/2010 Sandel ..... D24/227  
D609,819 S \* 2/2010 Tomes ..... D24/227  
D613,418 S \* 4/2010 Ryan ..... D24/229  
8,042,689 B2 10/2011 Frojd et al.  
8,096,420 B2 1/2012 Marhsall et al.  
8,727,117 B2 5/2014 Maasarani  
8,925,723 B2 1/2015 Folchini et al.  
(Continued)

(\*\*) Term: **15 Years**

*Primary Examiner* — Susan Bennett Hattan  
*Assistant Examiner* — Omeed Agilee  
(74) *Attorney, Agent, or Firm* — LeonardMeyer LLP

(21) Appl. No.: **29/666,354**

(22) Filed: **Oct. 11, 2018**

(57) **CLAIM**

(51) **LOC (12) Cl.** ..... **24-02**

The ornamental design for a package for medical device, as shown and described.

(52) **U.S. Cl.**  
USPC ..... **D24/229**

(58) **Field of Classification Search**  
USPC ..... D24/121, 123, 216–227, 229; D9/414,  
D9/416, 418, 424–427, 432  
CPC ..... A61M 25/002; A61B 50/30  
See application file for complete search history.

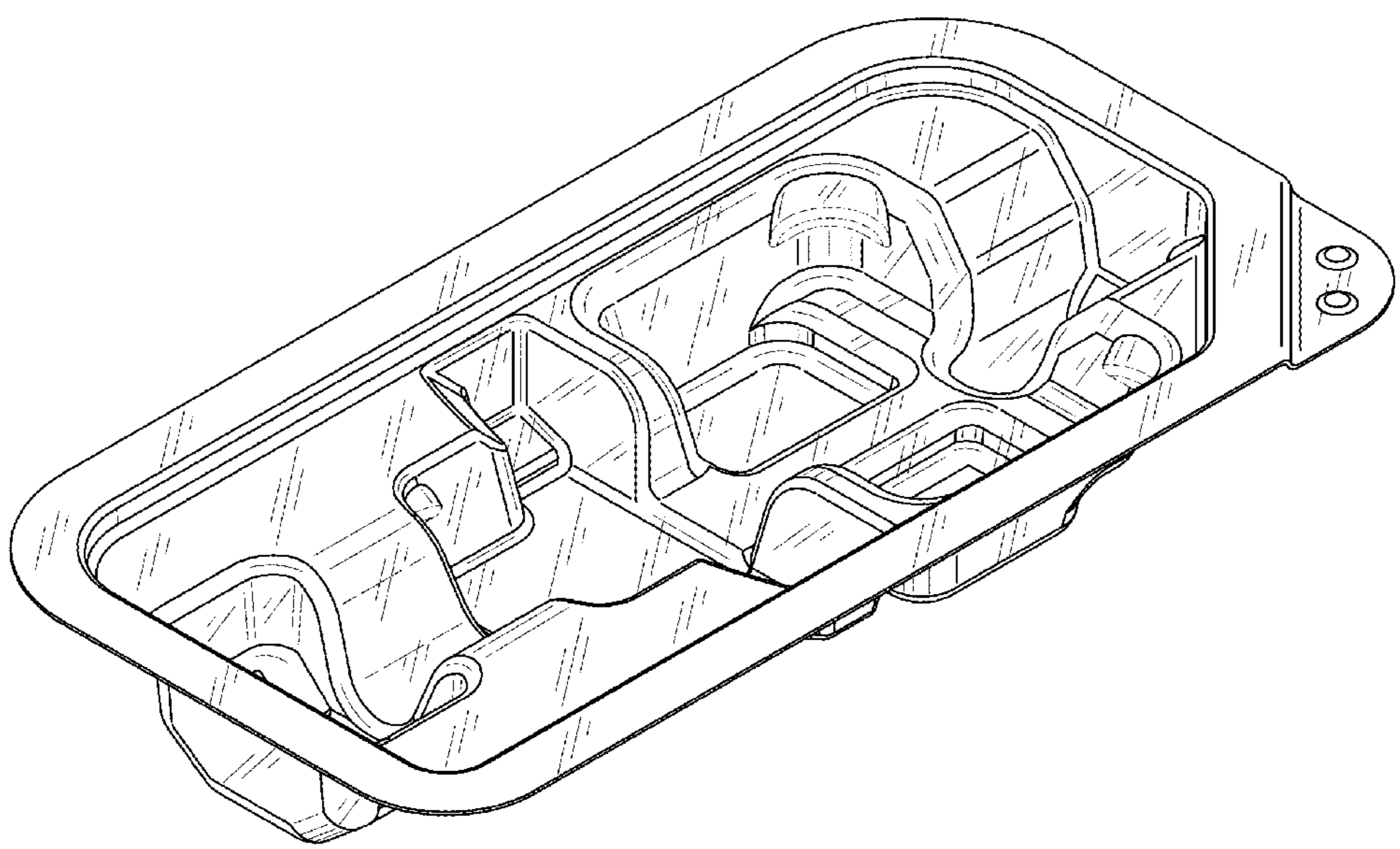
**DESCRIPTION**

FIG. 1 is a top, front and left side perspective view of an ornamental design for a package for medical device; FIG. 2 is a top, rear and right side perspective view thereof; FIG. 3 is a bottom, rear and right side view thereof; FIG. 4 is a bottom, front and left side view thereof; FIG. 5 is a front elevational view thereof; FIG. 6 is a rear elevational view thereof; FIG. 7 is a top plan view thereof; FIG. 8 is a bottom plan view thereof; FIG. 9 is a left side view thereof; and, FIG. 10 is a right side view thereof.  
The broken lines shown in the drawings depict portions of the package for medical device that form no part of the claimed design.

(56) **References Cited**  
U.S. PATENT DOCUMENTS

2,720,969 A 10/1955 Kendall  
2,887,215 A 5/1959 Hutchison  
D209,642 S \* 12/1967 Goldberg ..... D24/227  
4,226,328 A \* 10/1980 Beddow ..... A61F 17/00  
206/364  
D283,051 S \* 3/1986 Fichera ..... D24/123  
D337,830 S \* 7/1993 Coyne ..... D24/227  
D343,687 S 1/1994 Houghton et al.  
5,379,895 A 1/1995 Foslien  
D430,015 S 8/2000 Himbert et al.

**1 Claim, 8 Drawing Sheets**



(56)

**References Cited**

U.S. PATENT DOCUMENTS

D747,962	S *	1/2016	Astorga .....	D9/425
9,248,229	B2	2/2016	Devouassoux et al.	
D751,726	S *	3/2016	Nishioka .....	D24/229
D779,082	S *	2/2017	Andre .....	D24/229
D788,936	S	6/2017	Schill et al.	
D809,380	S *	2/2018	Pickard .....	D9/425
D848,845	S *	5/2019	Dacey .....	D9/456
D852,975	S *	7/2019	Jones .....	D24/216
D862,727	S *	10/2019	Hart .....	D24/224
2014/0215976	A1	8/2014	Maasarani	
2015/0021221	A1 *	1/2015	Hendrickson .....	A61B 50/20 206/438
2015/0114855	A1	4/2015	Glick et al.	
2016/0278915	A1	9/2016	Glick et al.	
2017/0128662	A1	5/2017	Schill et al.	
2017/0367780	A1	12/2017	Van Der Raad-Meijer et al.	
2018/0015217	A1	1/2018	Hasumi	
2019/0336235	A1 *	11/2019	Hart .....	B65D 1/36

\* cited by examiner

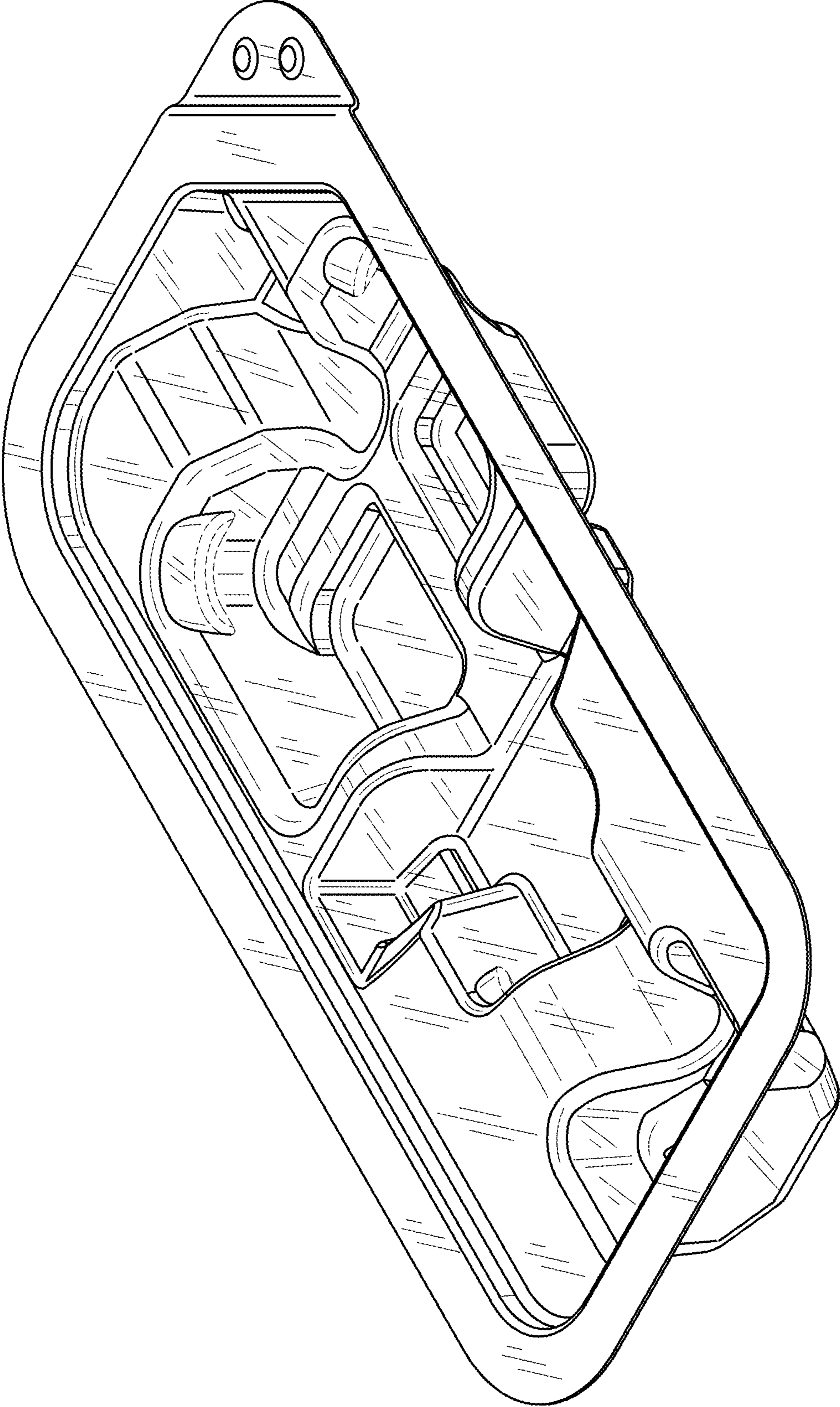


FIG. 1



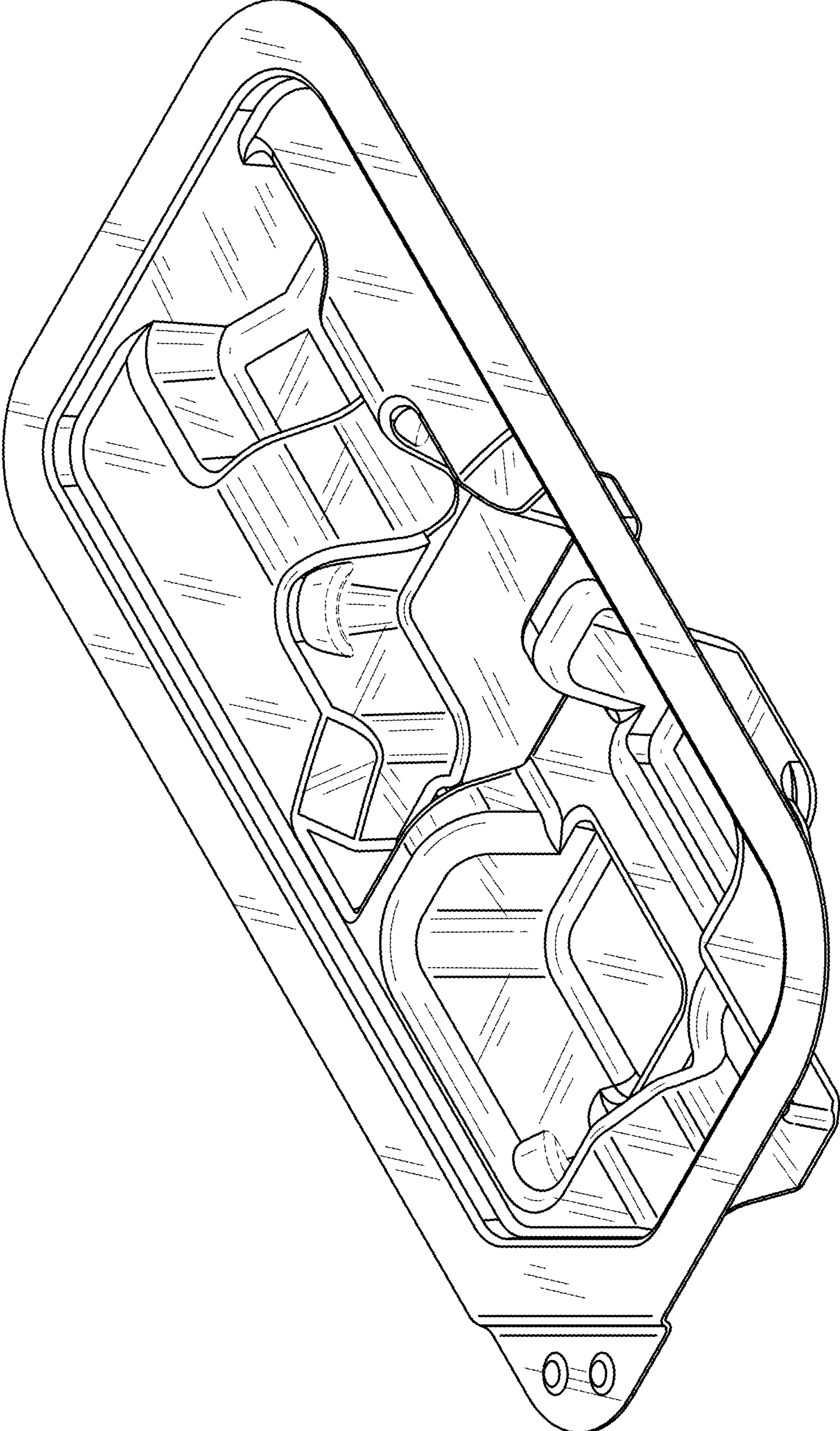


FIG. 2

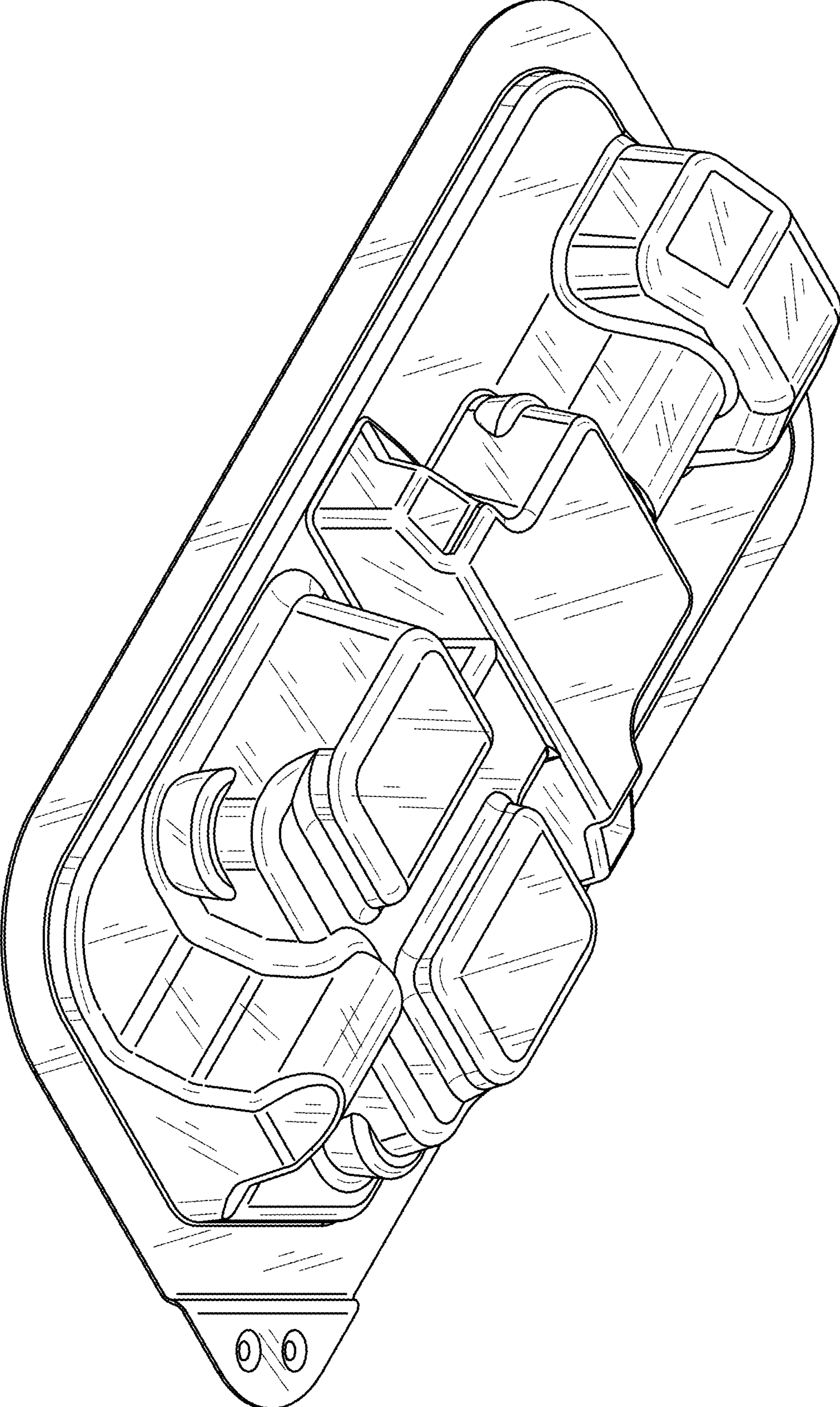


FIG. 3



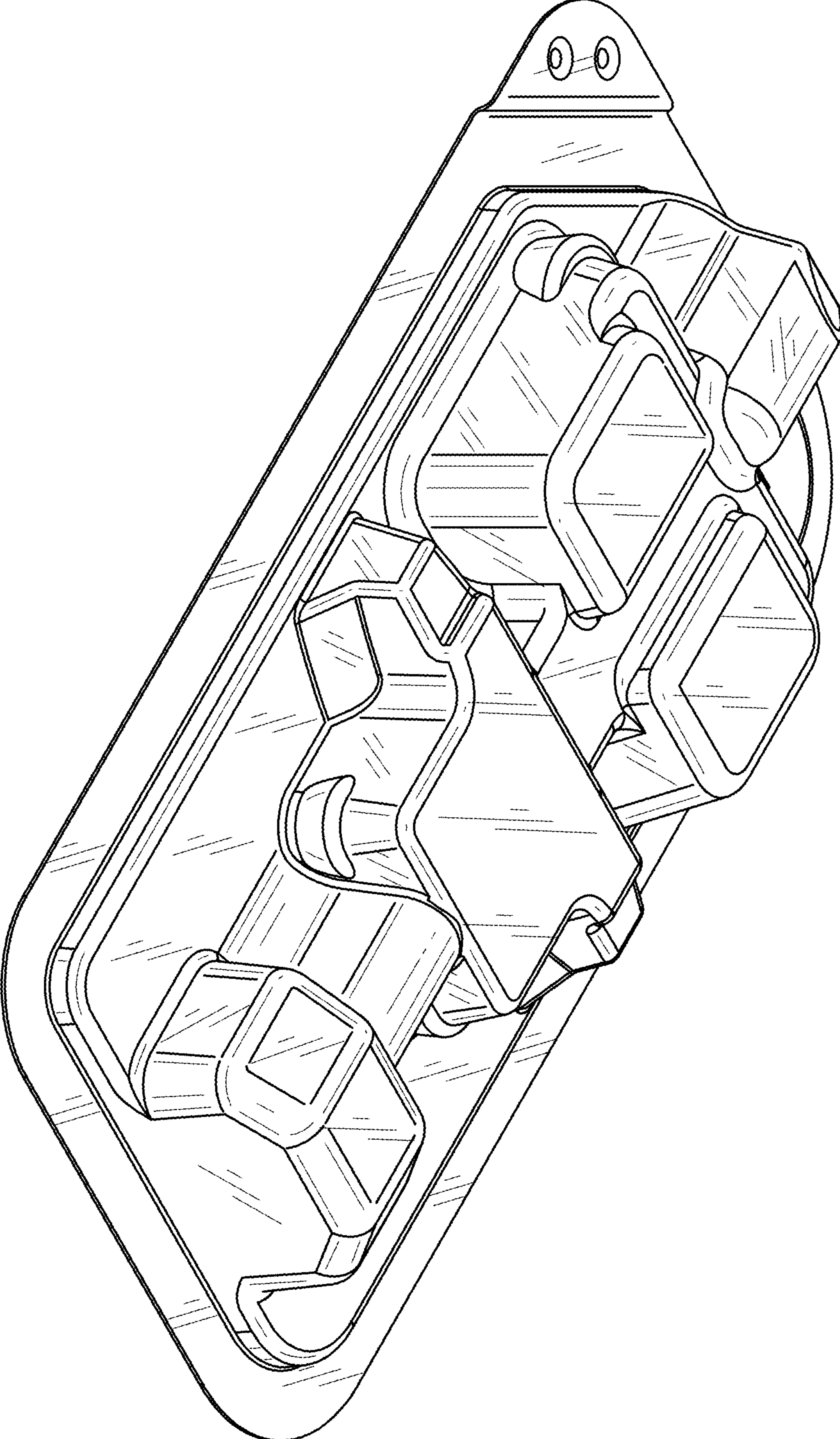


FIG. 4

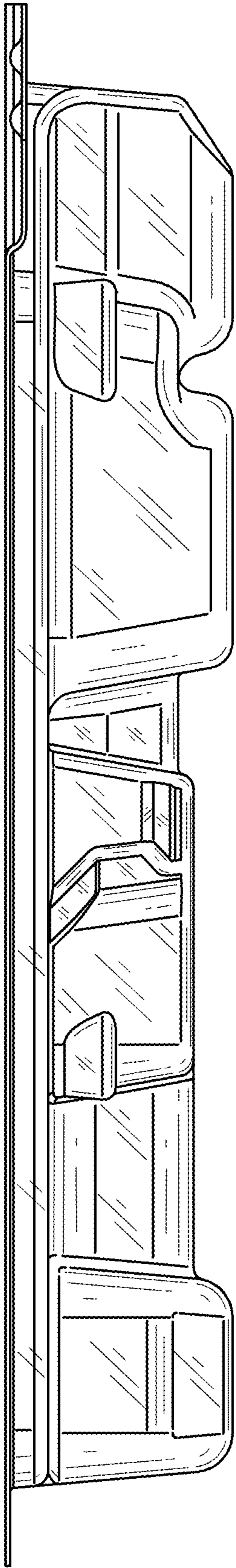


FIG. 5

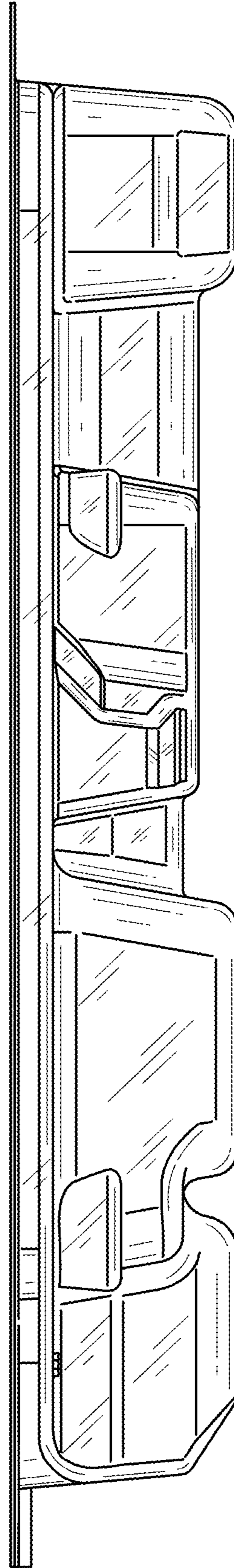


FIG. 6

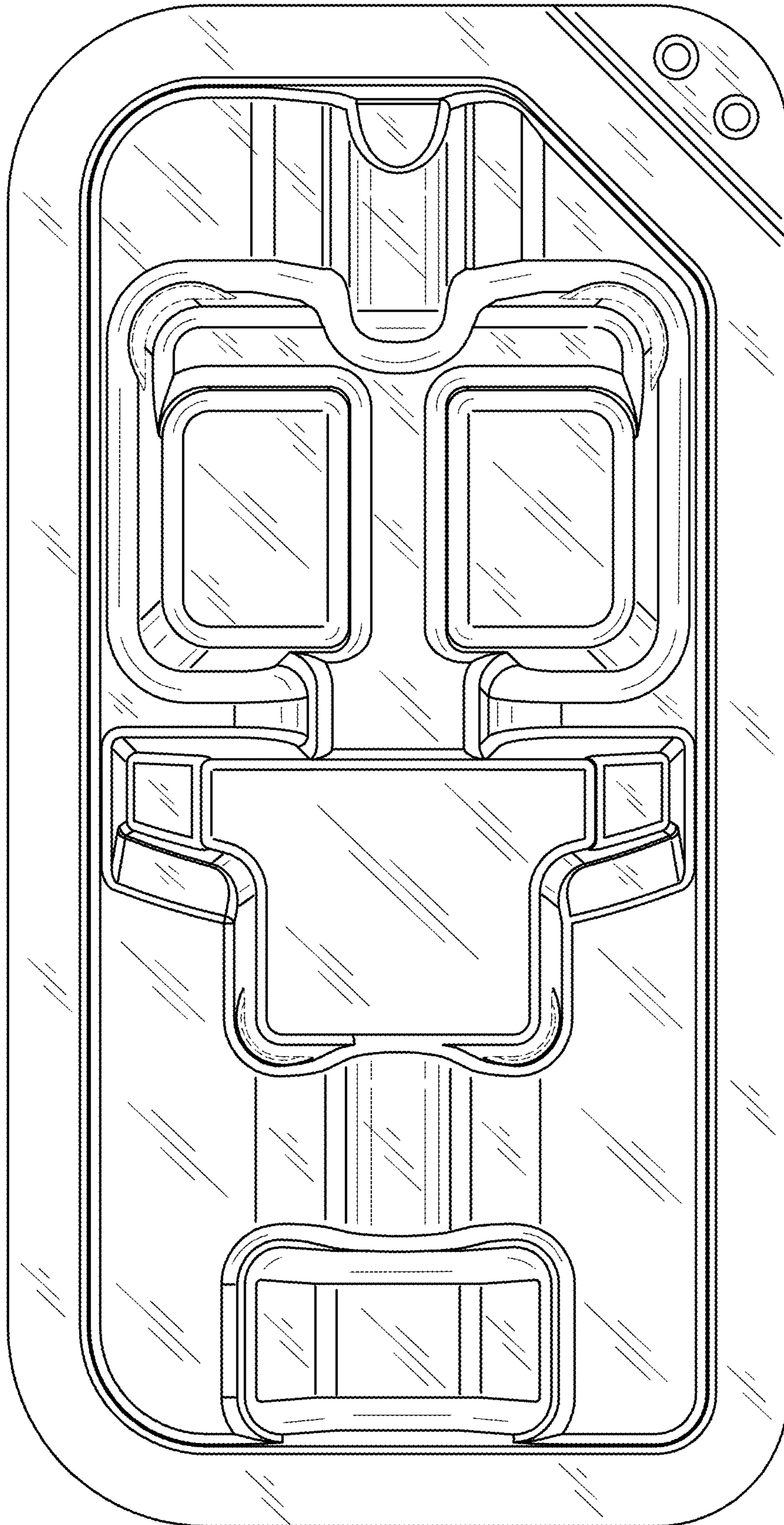


FIG. 7



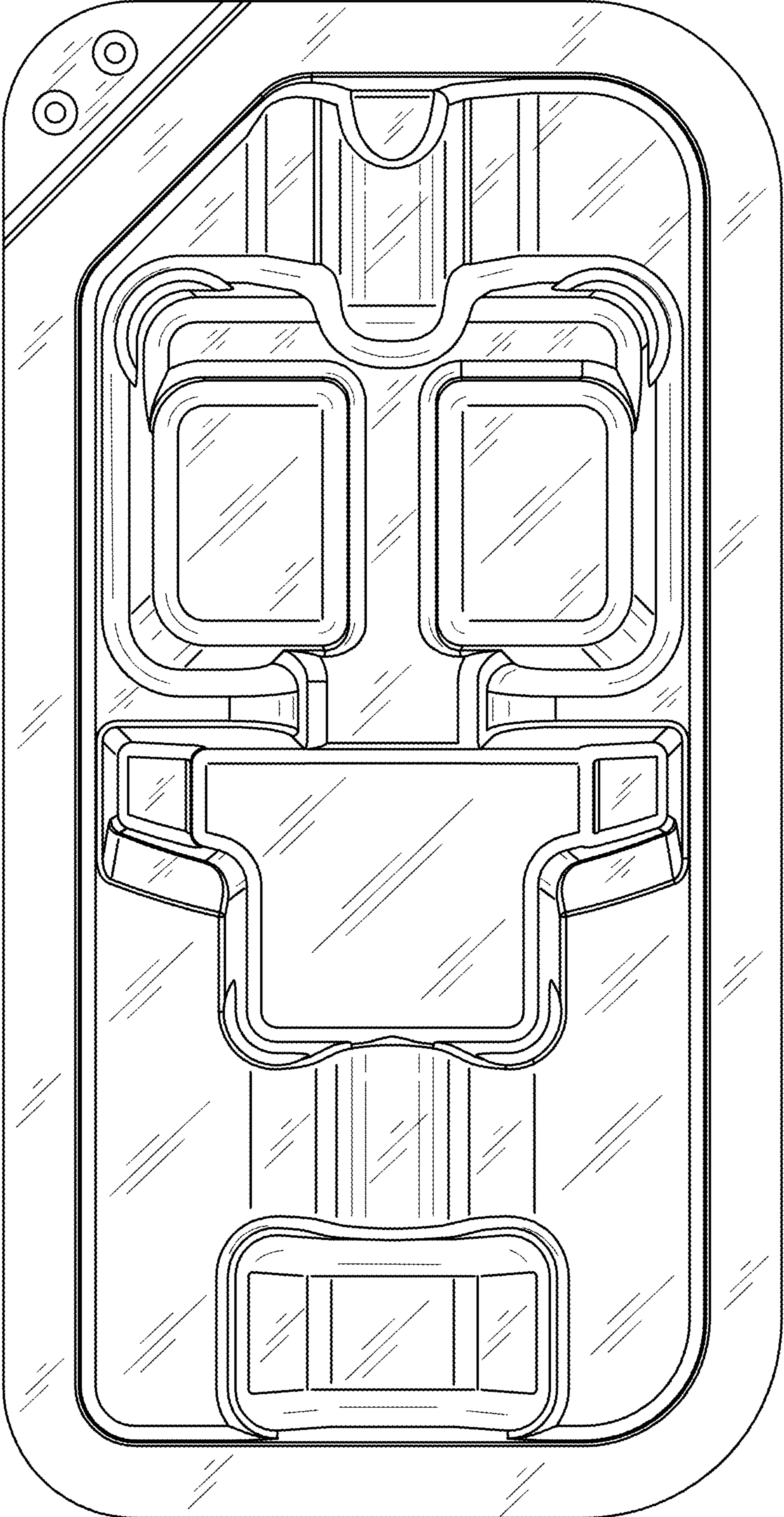


FIG. 8

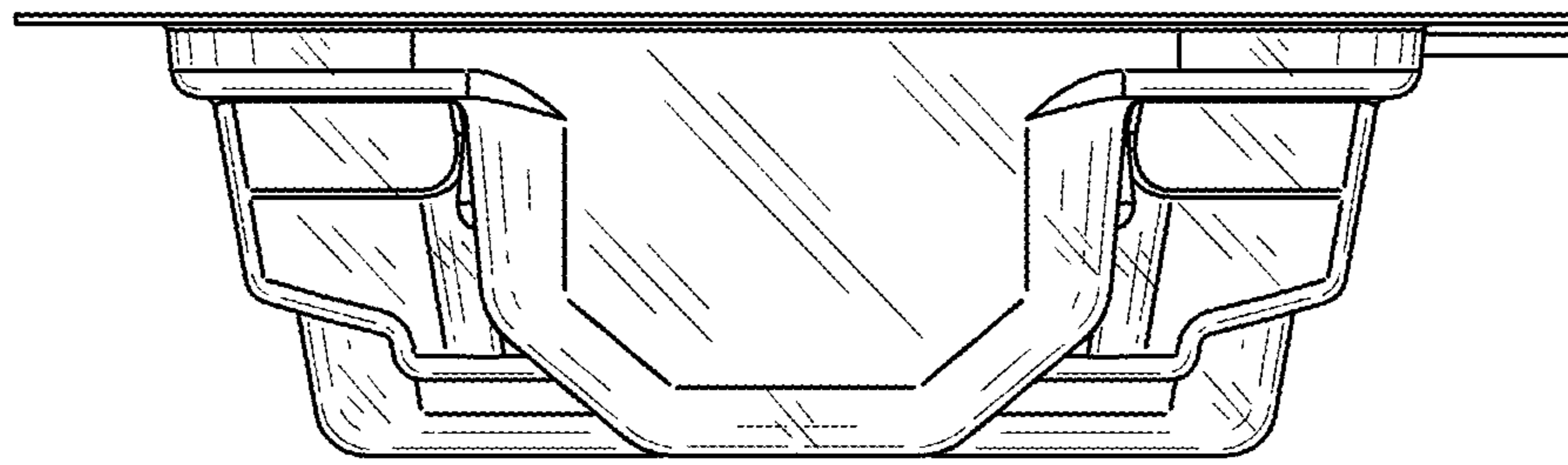


FIG. 9

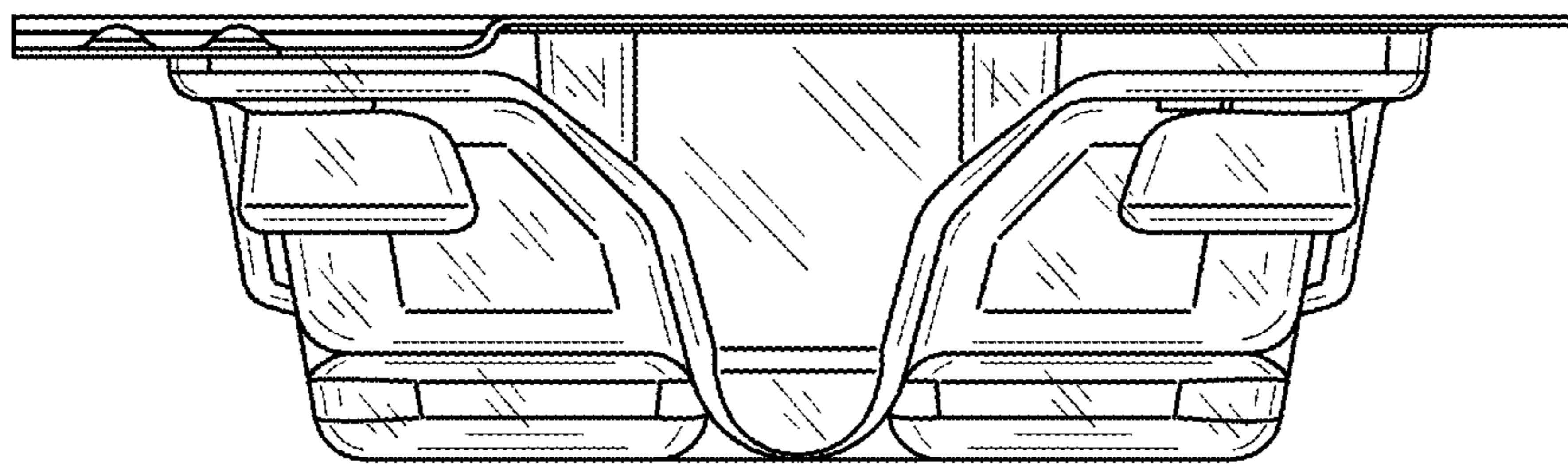


FIG. 10

UNITED STATES PATENT AND TRADEMARK OFFICE  
**CERTIFICATE OF CORRECTION**

PATENT NO. : D895,145 S  
APPLICATION NO. : 29/666354  
DATED : September 1, 2020  
INVENTOR(S) : Carson Smith et al.

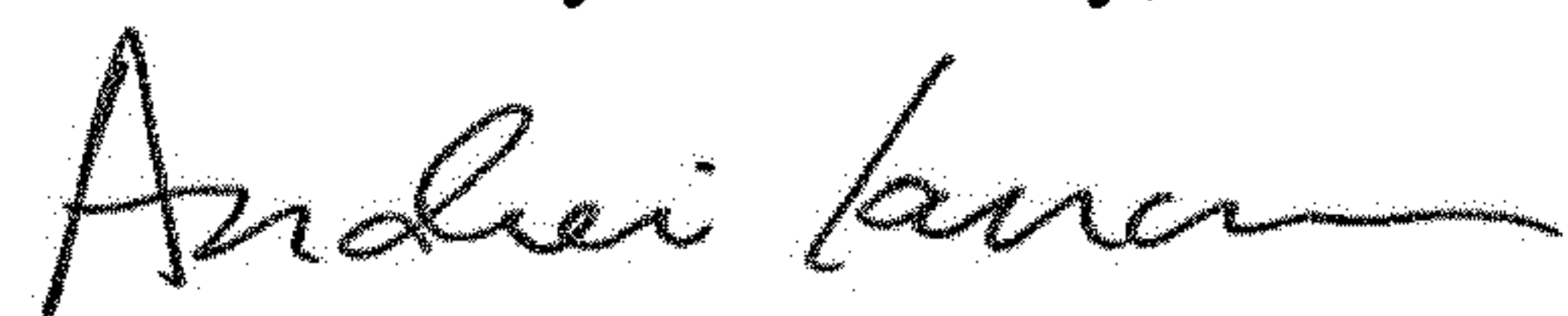
Page 1 of 1

It is certified that error appears in the above-identified patent and that said Letters Patent is hereby corrected as shown below:

On the Title Page

Item (72), second inventor's name "Richard A. Galas, Jr." should be "Richard John Galas, Jr."

Signed and Sealed this  
Fifth Day of January, 2021



Andrei Iancu  
*Director of the United States Patent and Trademark Office*