



US00D895144S

(12) **United States Design Patent** (10) **Patent No.:** **US D895,144 S**
Zergiebel et al. (45) **Date of Patent:** **** Sep. 1, 2020**

(54) **MULTICOMPONENT CARTRIDGE**

(71) Applicant: **LIFE TECHNOLOGIES CORPORATION**, Carlsbad, CA (US)

(72) Inventors: **Earl Zergiebel**, Waltham, MA (US);
Nathan Kane, Guilford, CT (US);
Mark T. Reed, Menlo Park, CA (US);
David Marran, Durham, CT (US)

(73) Assignee: **LIFE TECHNOLOGIES CORPORATION**, Carlsbad, CA (US)

(**) Term: **15 Years**

(21) Appl. No.: **29/660,064**

(22) Filed: **Aug. 16, 2018**

(51) **LOC (12) Cl.** **24-02**

(52) **U.S. Cl.**
USPC **D24/226**

(58) **Field of Classification Search**
USPC D24/107, 169, 186, 216–230, 231, 232
CPC G02B 21/16
See application file for complete search history.

(56) **References Cited**

U.S. PATENT DOCUMENTS

D767,162 S * 9/2016 Schimmel D24/226
D776,297 S * 1/2017 Demas D24/230

D860,471 S * 9/2019 Hinojosa D24/224
D865,214 S * 10/2019 Dangelo D24/224
D865,215 S * 10/2019 Dangelo D24/224
2009/0280559 A1 * 11/2009 McCarthy G02B 21/16
435/287.2

FOREIGN PATENT DOCUMENTS

GB 6016604 * 8/2017

* cited by examiner

Primary Examiner — Susan Bennett Hattan

Assistant Examiner — Omeed Agilee

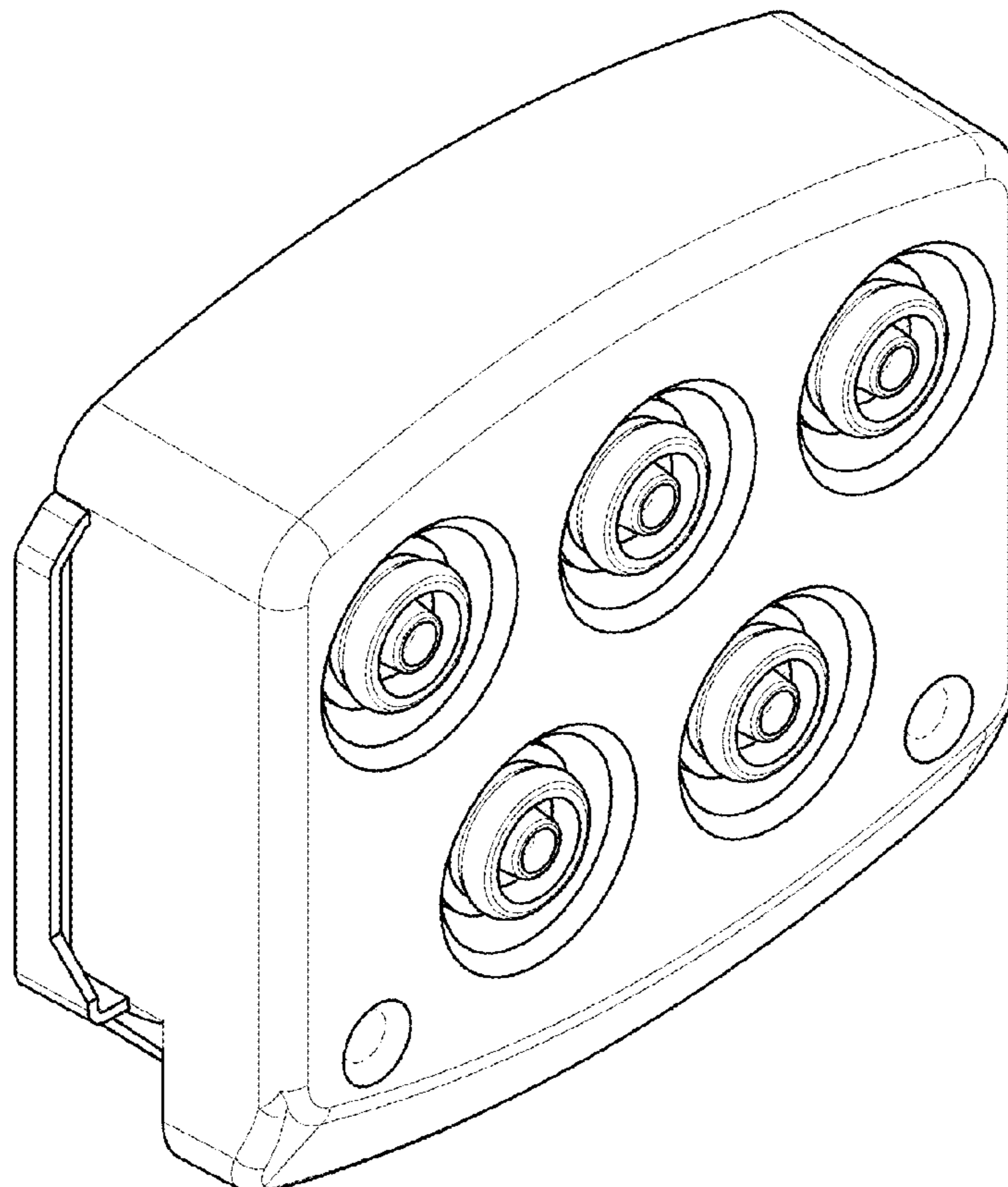
(57) **CLAIM**

The ornamental design for a multicomponent cartridge, as shown and described.

DESCRIPTION

FIG. 1 and FIG. 2 are perspective views of a multicomponent cartridge showing the new design; FIG. 3 is a top view thereof; FIG. 4 is a bottom view thereof; and, FIG. 5, FIG. 6, FIG. 7, and FIG. 8 are side views thereof. The broken lines in the drawing depict portions of the multicomponent cartridge that form no part of the claimed design.

1 Claim, 6 Drawing Sheets



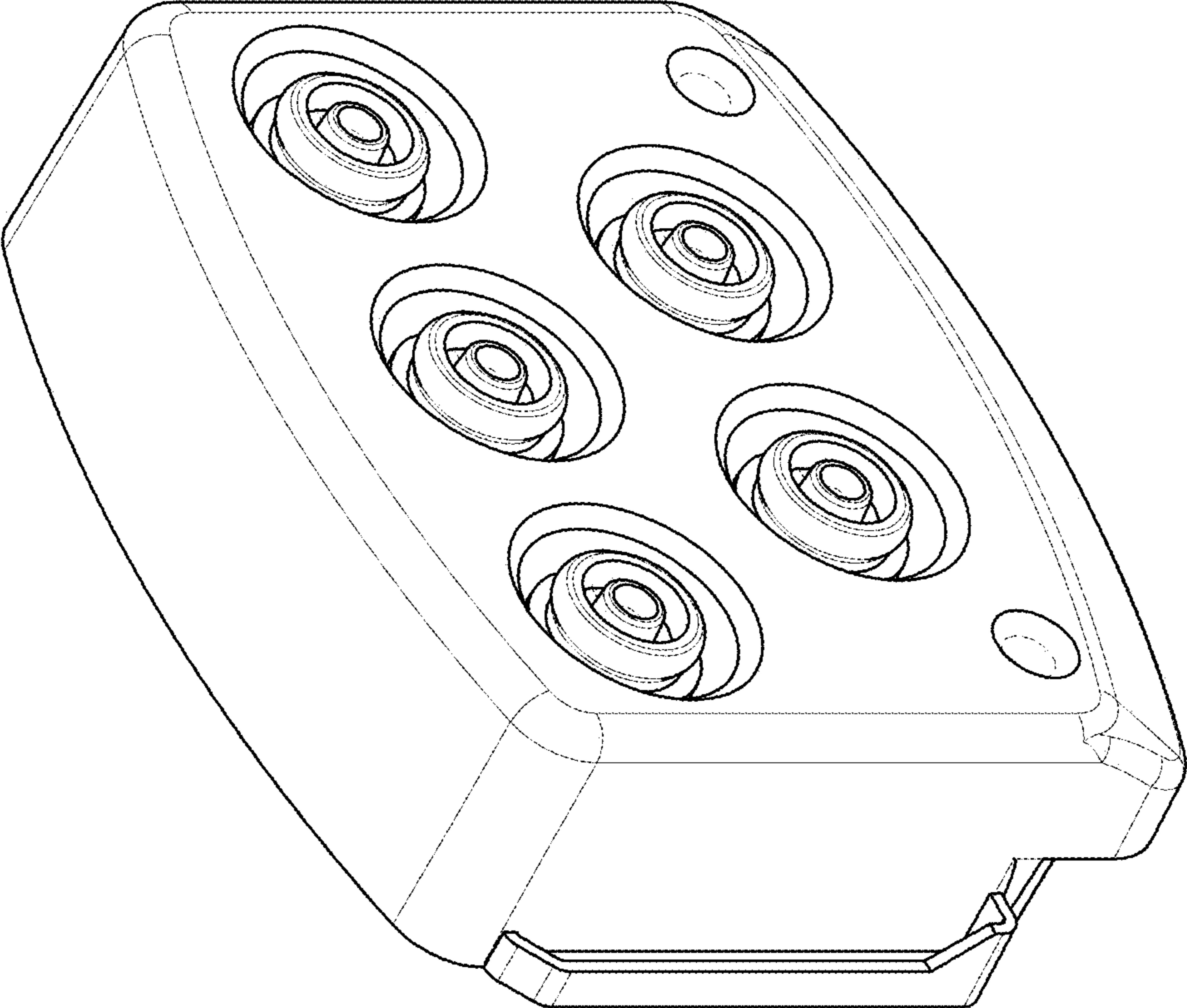


FIG. 1

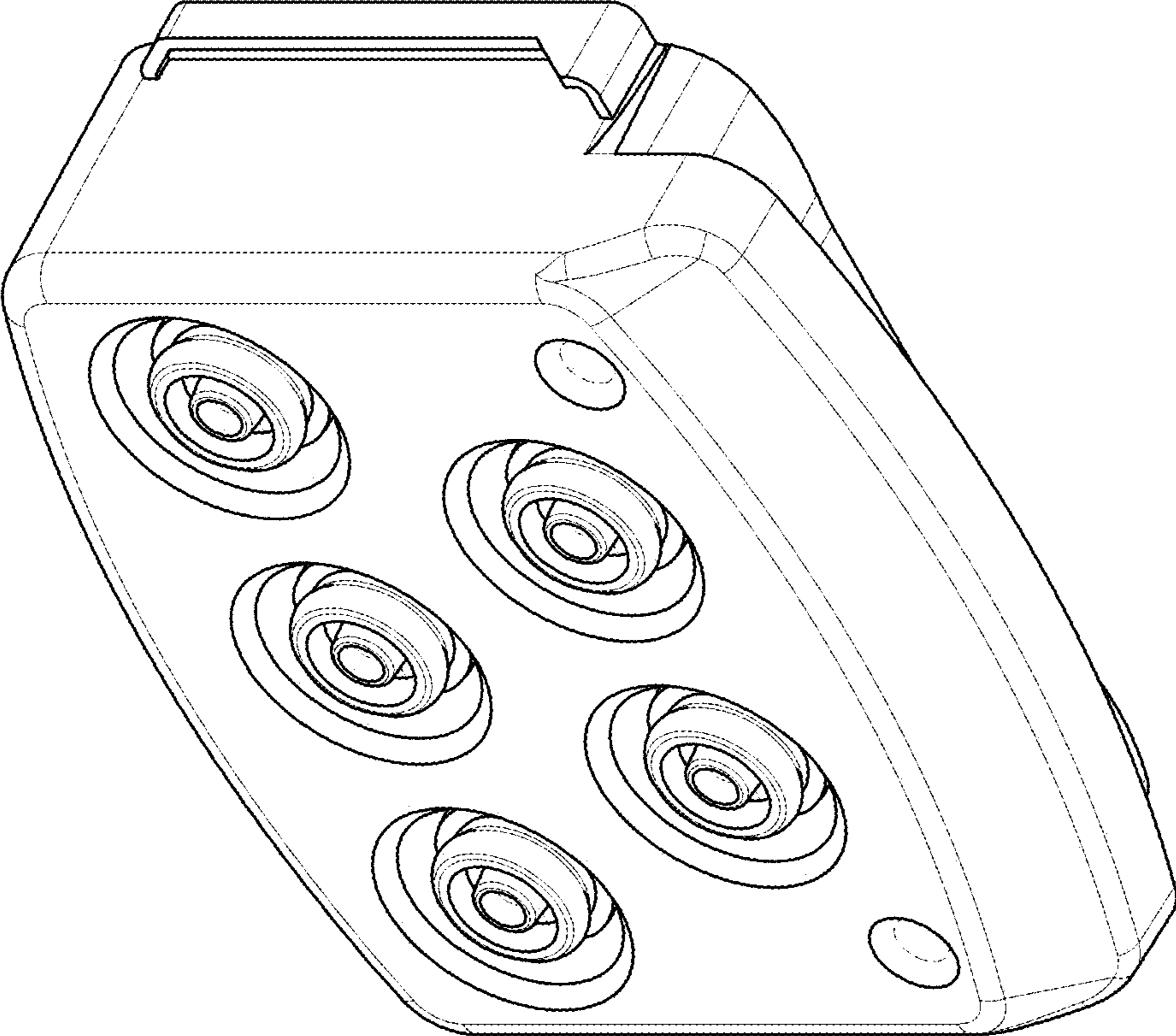


FIG. 2

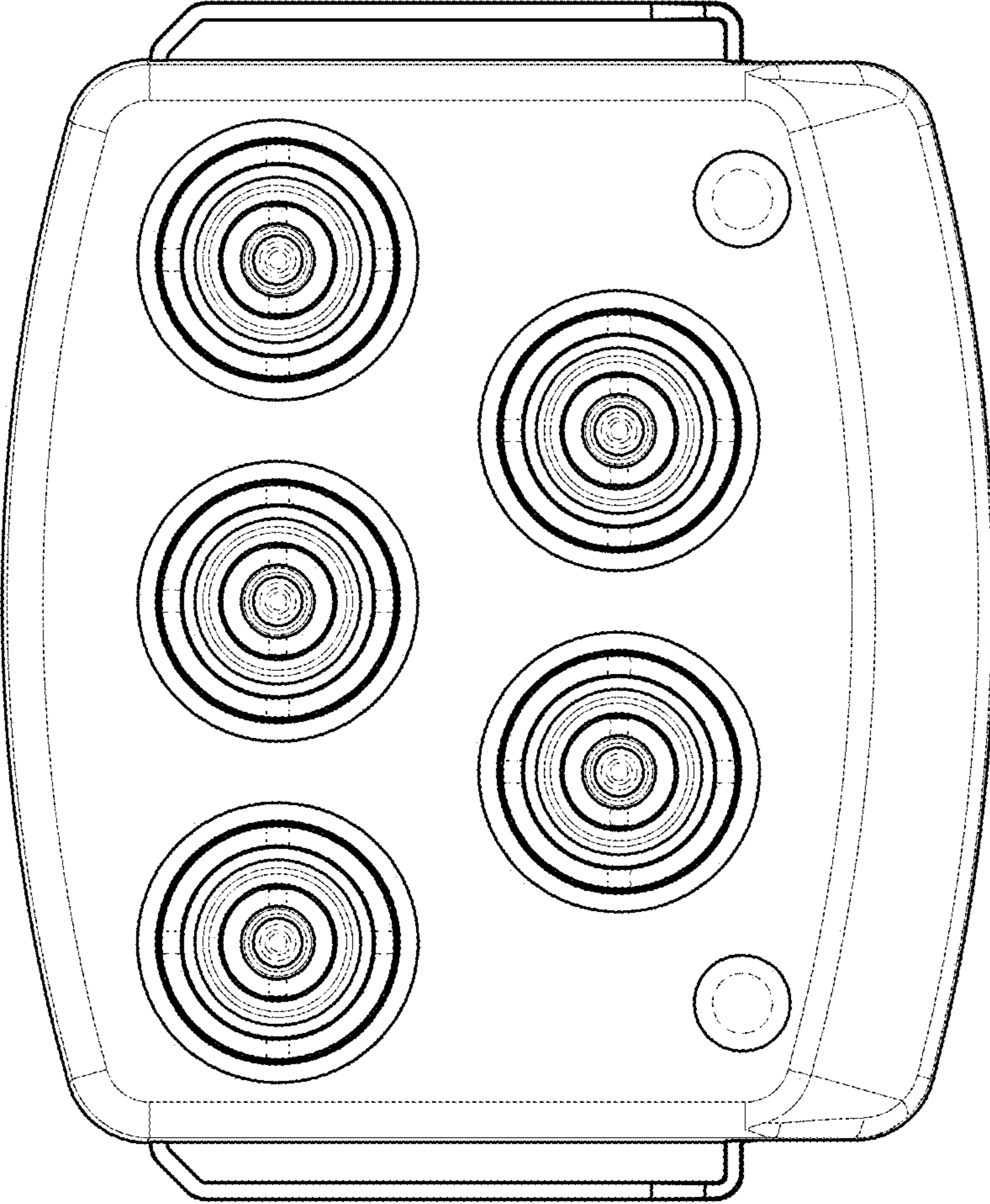


FIG. 3

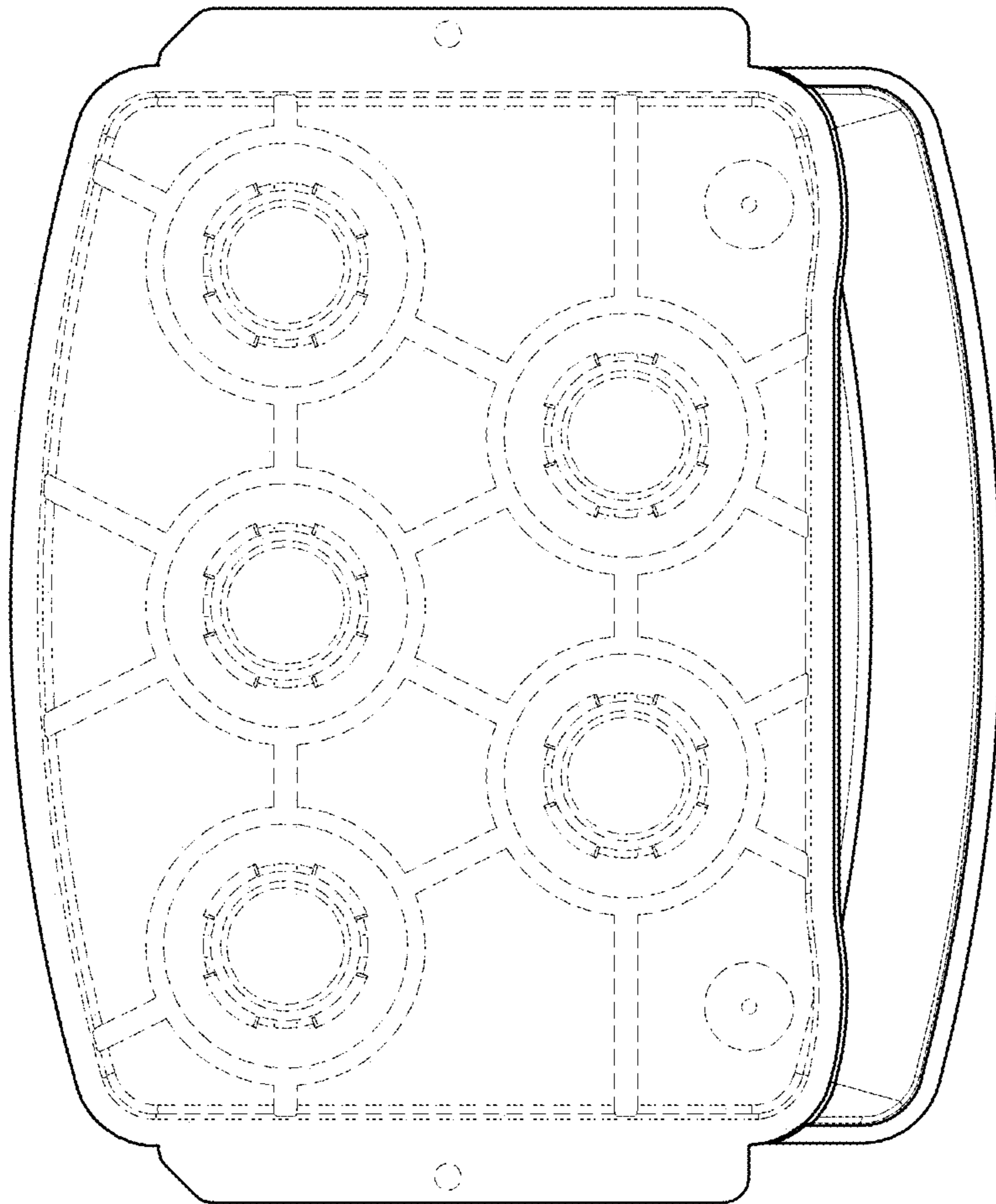


FIG. 4

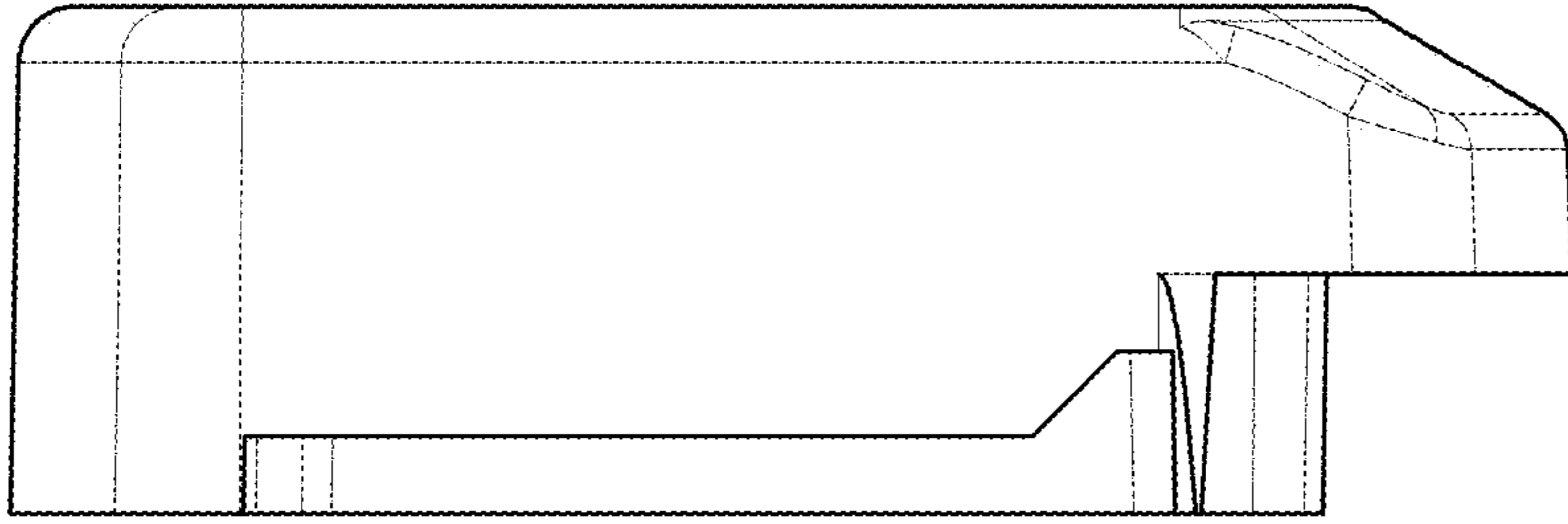


FIG. 6

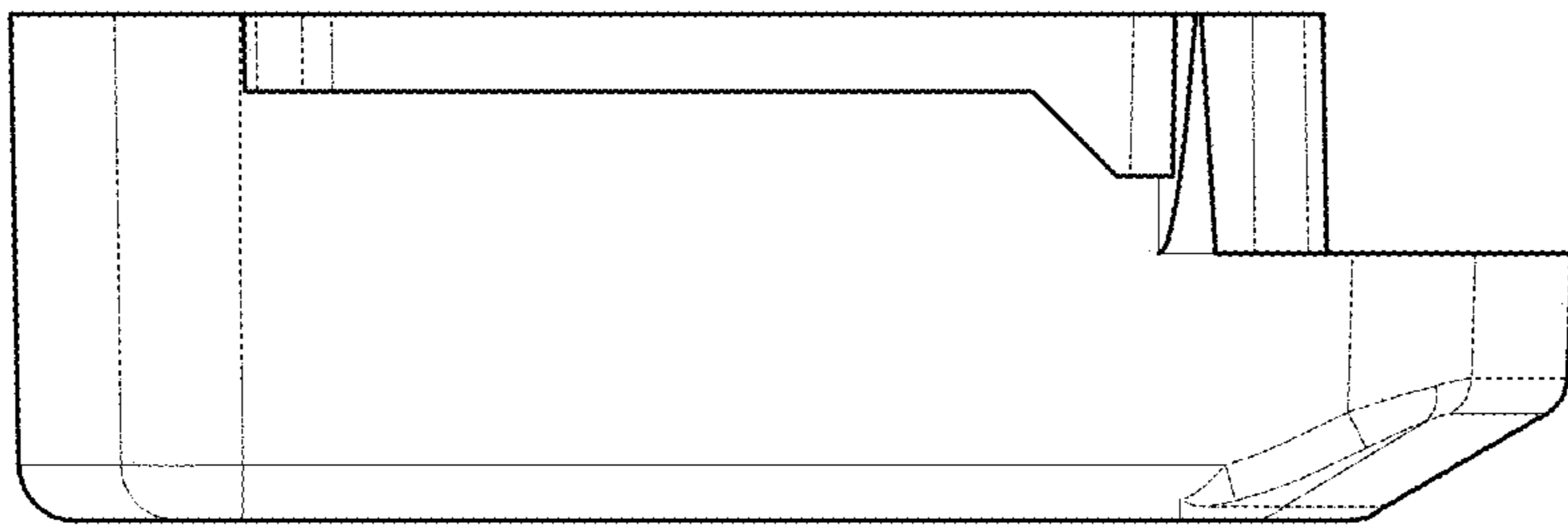


FIG. 5

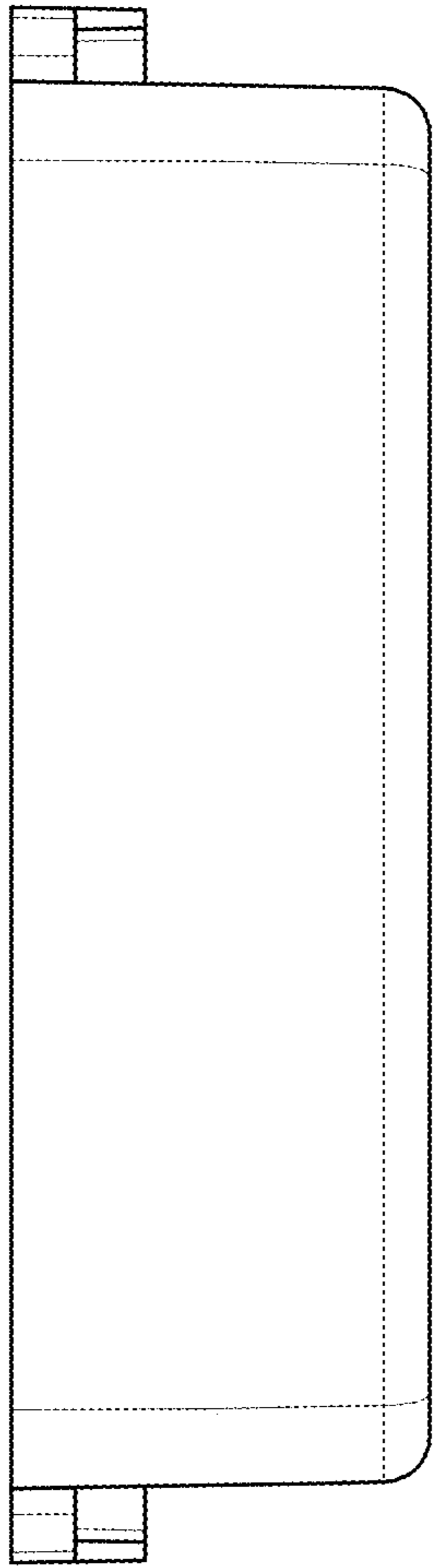


FIG. 7

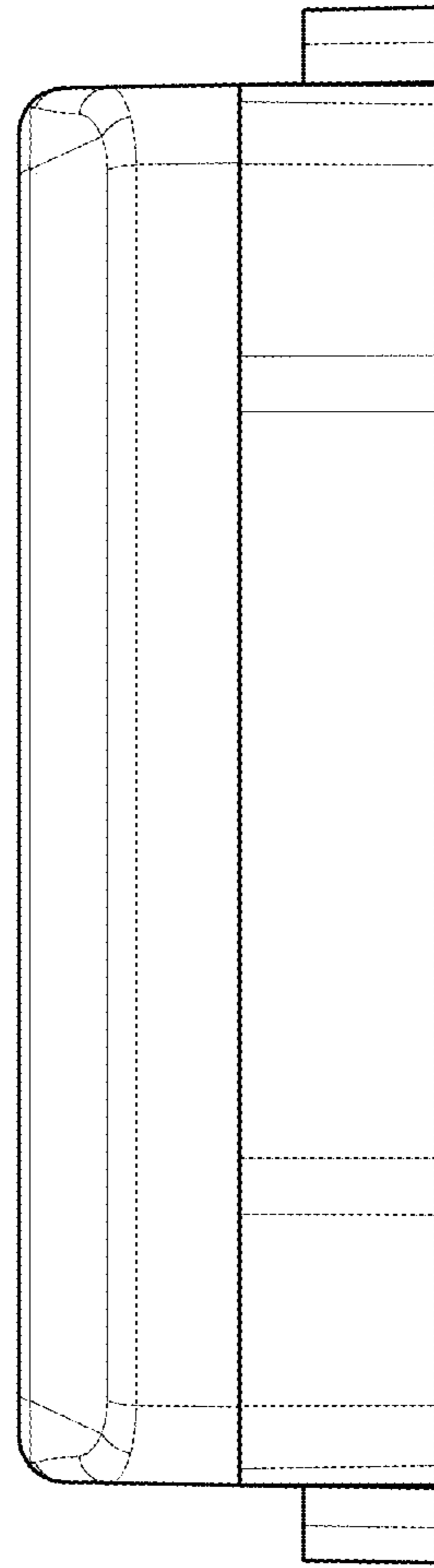


FIG. 8