



US00D895141S

(12) **United States Design Patent** (10) **Patent No.:** **US D895,141 S**
Heron (45) **Date of Patent:** **** Sep. 1, 2020**

(54) **MEDICAL TEST CARD**
(71) Applicant: **TESTCARD LTD.**, Scarborough (GB)
(72) Inventor: **Luke Heron**, Brompton By Sawdon (GB)
(73) Assignee: **TESTCARD LTD.**, Scarborough (GB)
(**) Term: **15 Years**
(21) Appl. No.: **29/689,681**
(22) Filed: **May 1, 2019**
(51) **LOC (12) Cl.** **24-01**
(52) **U.S. Cl.**
USPC **D24/225**
(58) **Field of Classification Search**
USPC D24/107, 216, 219, 223-232; D10/81
CPC ... G01N 35/00029; G01N 2035/00108; G01N
2035/00138; G01N 2035/00148; G01N
2035/00158; B01L 2300/0816; B01L
2300/0819; B01L 2300/0822; B01L
2300/0825; B01L 2300/0829; B01L
2300/0836; B01L 2300/0867; B01L
3/5027
See application file for complete search history.

(56) **References Cited**
U.S. PATENT DOCUMENTS
D320,269 S * 9/1991 Hammond D24/225
D381,591 S * 7/1997 Rice D10/81
D383,550 S * 9/1997 Larson D24/216
D420,141 S * 2/2000 Casterlin D24/216

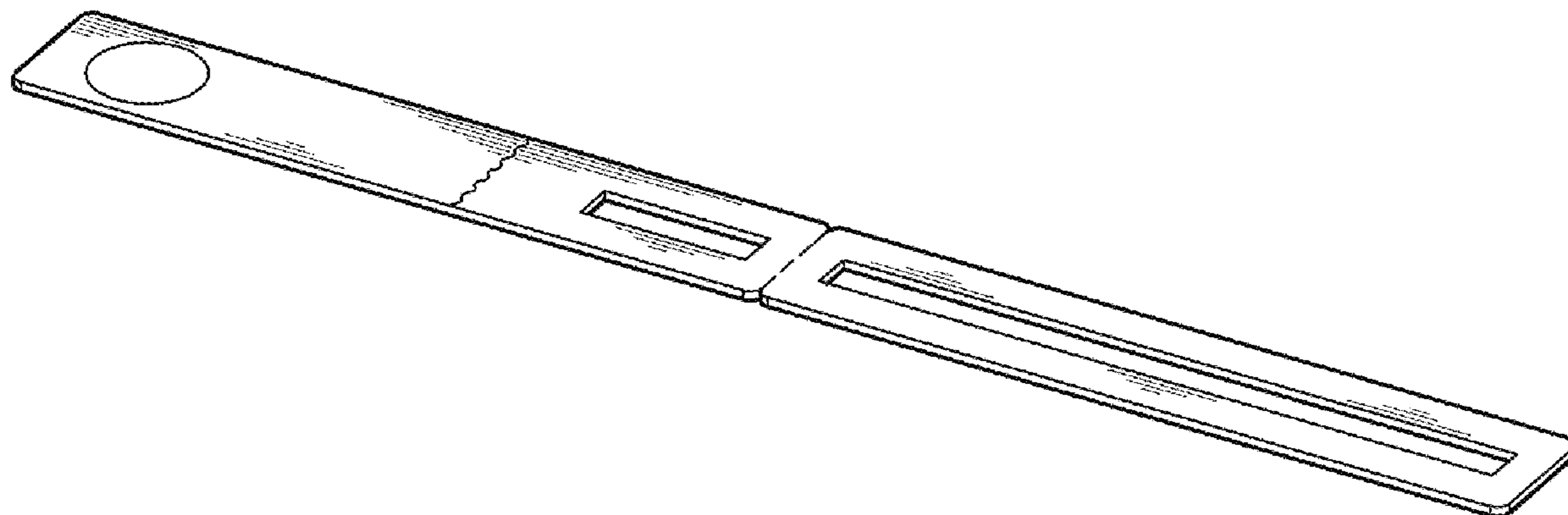
D456,083 S * 4/2002 Clark D24/225
D477,670 S * 7/2003 Jurik D24/225
D483,496 S * 12/2003 Kjendlie D24/119
D501,560 S * 2/2005 Whyte D24/225
D501,678 S * 2/2005 Oberhardt D24/225
D640,389 S * 6/2011 Francis D24/225
D694,425 S * 11/2013 Markovsky D24/225
2005/0164401 A1* 7/2005 Taguchi G01N 35/00029
436/147
2011/0015545 A1* 1/2011 Mondro G01N 27/3271
600/583
2015/0251177 A1* 9/2015 Kim B01L 3/5023
435/287.2
2016/0369323 A1* 12/2016 Revilla B01L 3/5027
2018/0071741 A1* 3/2018 Kelly G01N 35/00029

* cited by examiner
Primary Examiner — Anhdao Doan
(74) *Attorney, Agent, or Firm* — Haug Partners LLP

(57) **CLAIM**
The ornamental design for a medical test card, as shown and described.

DESCRIPTION
FIG. 1 is a perspective view of a medical test card, showing my new design;
FIG. 2 is a front elevational view thereof;
FIG. 3 is a rear elevational view thereof;
FIG. 4 is an end elevational view thereof;
FIG. 5 is another end elevational view thereof;
FIG. 6 is a left side elevational view thereof; and,
FIG. 7 is a right side elevational view thereof.

1 Claim, 1 Drawing Sheet



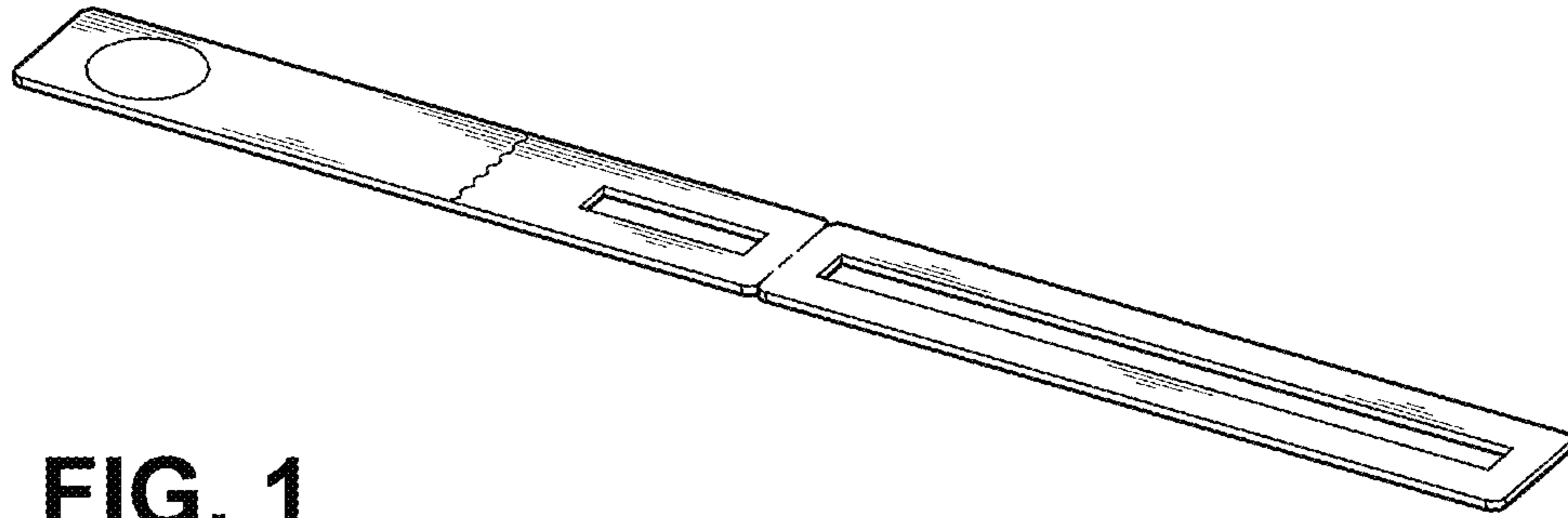


FIG. 1

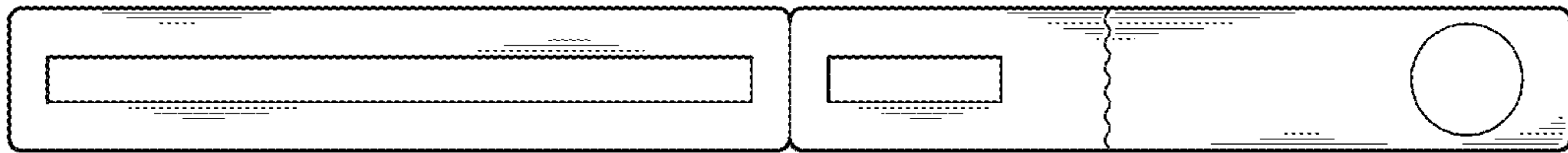


FIG. 2

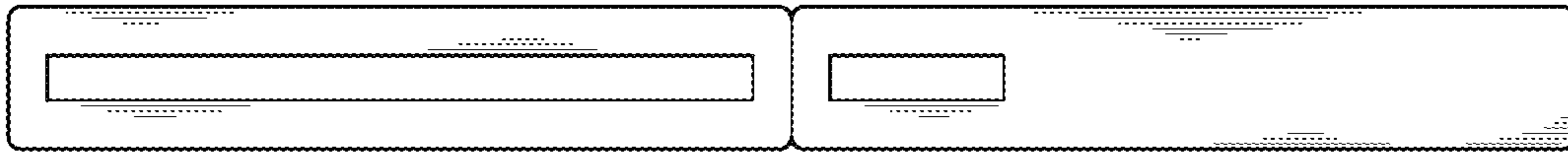


FIG. 3



FIG. 4



FIG. 5



FIG. 6



FIG. 7