



US00D895140S

(12) **United States Design Patent** (10) **Patent No.:** **US D895,140 S**  
**Heron** (45) **Date of Patent:** **\*\* Sep. 1, 2020**

(54) **MEDICAL TEST CARD**  
(71) Applicant: **TESTCARD LTD.**, Scarborough (GB)  
(72) Inventor: **Luke Heron**, Brompton by Sawdon (GB)  
(73) Assignee: **TESTCARD LTD.**, Scarborough (GB)  
(\*\*) Term: **15 Years**  
(21) Appl. No.: **29/689,675**  
(22) Filed: **May 1, 2019**  
(51) **LOC (12) Cl.** ..... **24-01**  
(52) **U.S. Cl.**  
USPC ..... **D24/225**  
(58) **Field of Classification Search**  
USPC ..... D24/107, 216, 219, 223-232, 121;  
D10/81  
CPC ... G01N 35/00029; G01N 2035/00108; G01N  
2035/00138; G01N 2035/00148; G01N  
2035/00158; B01L 2300/0816; B01L  
2300/0819; B01L 2300/0822; B01L  
2300/0825; B01L 2300/0829; B01L  
2300/0836; B01L 2300/0867; B01L  
3/5027  
See application file for complete search history.

(56) **References Cited**  
U.S. PATENT DOCUMENTS  
D320,269 S \* 9/1991 Hammond ..... D24/225  
D381,591 S \* 7/1997 Rice ..... D10/81  
D383,550 S \* 9/1997 Larson ..... D24/216

D420,141 S \* 2/2000 Casterlin ..... D24/216  
D456,083 S \* 4/2002 Clark ..... D24/225  
D477,670 S \* 7/2003 Jurik ..... D24/225  
D483,496 S \* 12/2003 Kjendlie ..... D24/119  
D501,560 S \* 2/2005 Whyte ..... D24/225  
D501,678 S \* 2/2005 Oberhardt ..... D24/225  
D640,389 S \* 6/2011 Francis ..... D24/225  
D694,425 S \* 11/2013 Markovsky ..... D24/225  
2005/0164401 A1\* 7/2005 Taguchi ..... G01N 35/00029  
436/147  
2011/0015545 A1\* 1/2011 Mondro ..... G01N 27/3271  
600/583  
2015/0251177 A1\* 9/2015 Kim ..... B01L 3/5023  
435/287.2  
2016/0369323 A1\* 12/2016 Revilla ..... B01L 3/5027  
2018/0071741 A1\* 3/2018 Kelly ..... G01N 35/00029

\* cited by examiner

*Primary Examiner* — Anhdao Doan  
(74) *Attorney, Agent, or Firm* — Haug Partners LLP

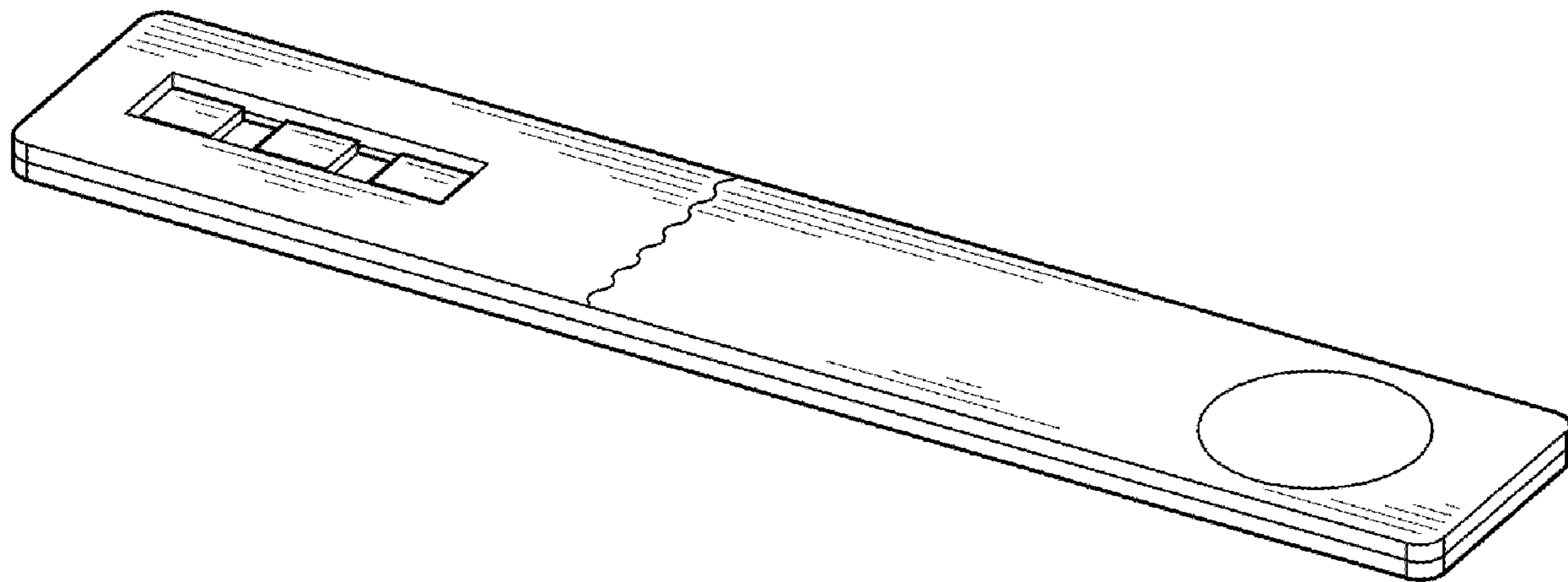
(57) **CLAIM**

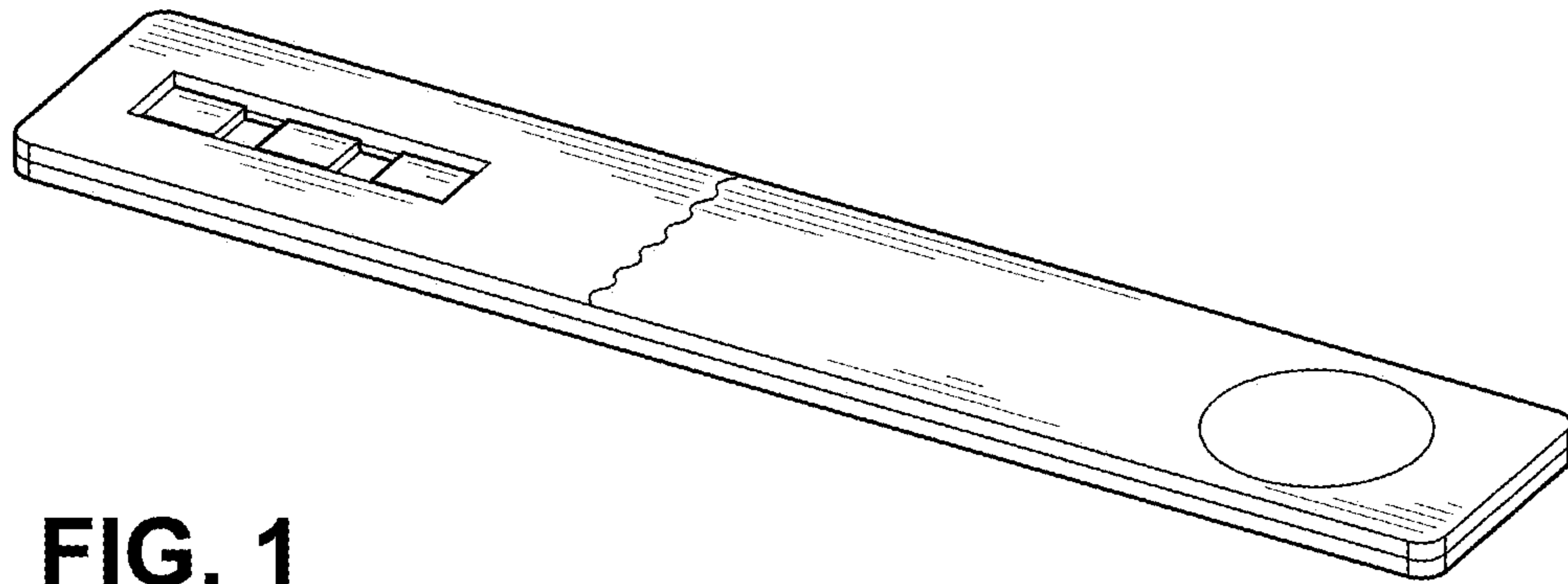
The ornamental design for a medical test card, as shown and described.

**DESCRIPTION**

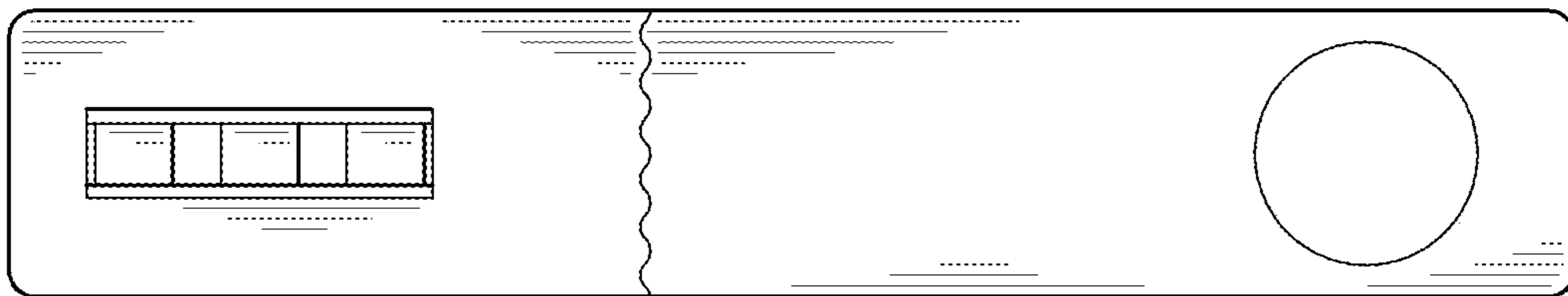
FIG. 1 is a perspective view of a medical test card, showing my new design;  
FIG. 2 is a front elevational view thereof;  
FIG. 3 is a rear elevational view thereof;  
FIG. 4 is an end elevational view thereof;  
FIG. 5 is another end elevational view thereof;  
FIG. 6 is a left side elevational view thereof; and,  
FIG. 7 is a right side elevational view thereof.

**1 Claim, 1 Drawing Sheet**

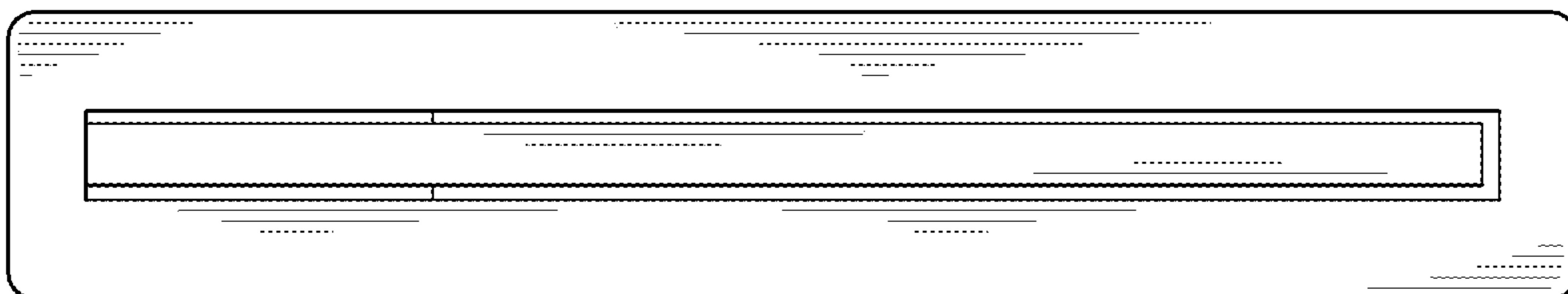




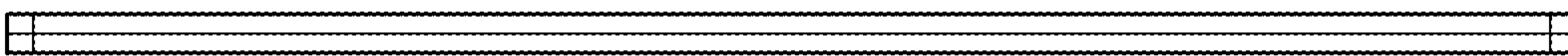
**FIG. 1**



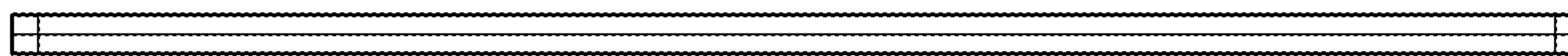
**FIG. 2**



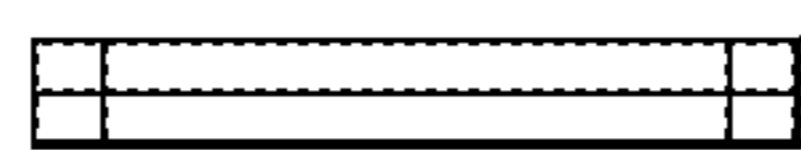
**FIG. 3**



**FIG. 4**



**FIG. 5**



**FIG. 6**



**FIG. 7**