



US00D895139S

(12) **United States Design Patent** (10) **Patent No.:** **US D895,139 S**
Hong (45) **Date of Patent:** **** Sep. 1, 2020**

(54) **TEST DEVICE**

G16H 10/40; G16H 40/63; Y10T 436/255; Y10T 436/25; Y10S 436/807; Y10S 436/808

(71) Applicant: **Hangzhou Biotest Biotech Co., Ltd.**, Hangzhou (CN)

See application file for complete search history.

(72) Inventor: **Liang Hong**, Hangzhou (CN)

(56) **References Cited**

(73) Assignee: **Hangzhou Biotest Biotech Co., LTD.**, Hangzhou (CN)

U.S. PATENT DOCUMENTS

(**) Term: **15 Years**

D250,129 S *	10/1978	Skinner	D24/121
4,805,632 A *	2/1989	Pope	A61B 5/05 340/573.5
D390,648 S *	2/1998	Woodall, III	D23/371
6,277,646 B1	8/2001	Guirguis et al.		
6,342,183 B1	1/2002	Lappe et al.		
D494,279 S	8/2004	Cogan et al.		
2003/0022392 A1	1/2003	Hudak		
2005/0106750 A1	5/2005	Tung et al.		

(21) Appl. No.: **29/674,986**

(22) Filed: **Dec. 27, 2018**

* cited by examiner

(30) **Foreign Application Priority Data**

Jun. 29, 2018	(CN)	2018 3 0352562
Nov. 30, 2018	(CN)	2018 3 0686338
Nov. 30, 2018	(CN)	2018 3 0686341

Primary Examiner — Antoine Duval Davis

(74) *Attorney, Agent, or Firm* — Jiangqiong Liu

(51) **LOC (12) Cl.** **24-02**

(57) **CLAIM**

(52) **U.S. Cl.**

The ornamental design for the test device, as shown and described.

USPC **D24/224**

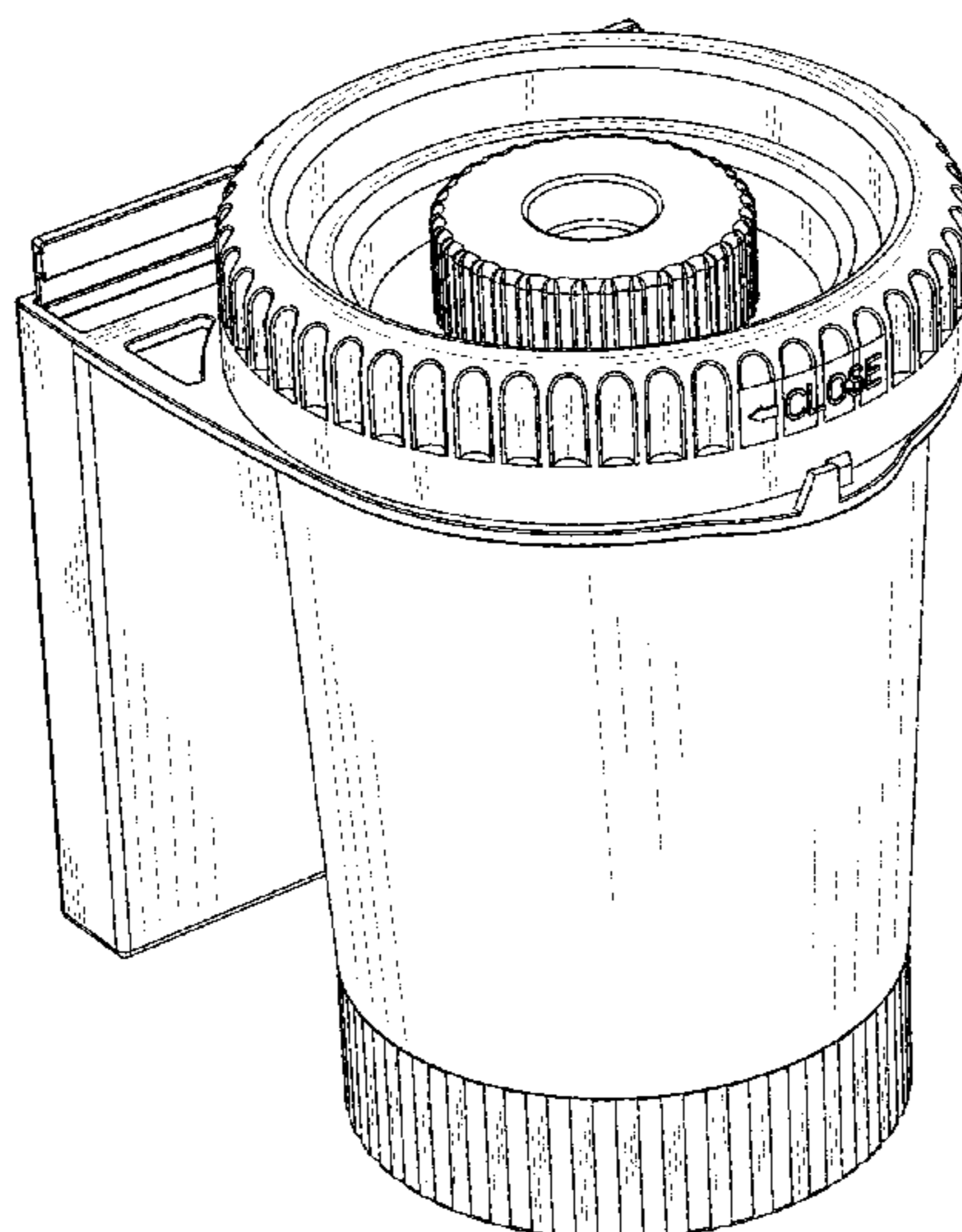
DESCRIPTION

(58) **Field of Classification Search**

USPC D10/46; D24/121, 122, 216, 224
CPC A61B 10/007; A61B 2010/0009; B01L 2300/0663; B01L 2200/185; B01L 2400/06; B01L 3/502; B01L 3/545; B01L 3/502715; B01L 2400/0478; B01L 2300/042; B01L 2300/046; B01L 2200/0605; B01L 2200/141; B01L 2300/021; B01L 2300/0832; B01L 2300/047; B01L 2300/069; B01L 2400/0406; B01L 3/5027; B01L 2400/0487; B01L 2300/0825; B01L 2400/0481; B01L 2300/0864; B01L 2200/025; B01L 3/5023; B01L 2300/045; B01L 2300/0627; G01N 35/1097; G01N 2001/007; G01N 33/528; G01N 2010/0009; G01N 21/03; G01N 21/8483; G01N 2021/0325; G01N 1/14; G01N 1/18; G06K 19/10; G06K 2019/06253;

FIG. 1 is a front view of an embodiment of the test device according to the present design;
FIG. 2 is a back view of the test device of FIG. 1;
FIG. 3 is a top view of the test device of FIG. 1;
FIG. 4 is a bottom view of the test device of FIG. 1;
FIG. 5 is a right view of the test device of FIG. 1;
FIG. 6 is a left view of the test device of FIG. 1;
FIG. 7 is a perspective view of the test device of FIG. 1.
FIG. 8 is a front view of the test device of FIG. 1;
FIG. 9 is a back view of the test device of FIG. 1;
FIG. 10 is a top view of the test device of FIG. 1;
FIG. 11 is a bottom view of the test device of FIG. 1;
FIG. 12 is a right view of the test device of FIG. 1;
FIG. 13 is a left view of the test device of FIG. 1; and
FIG. 14 is a perspective view of the test device of FIG. 1.

1 Claim, 14 Drawing Sheets



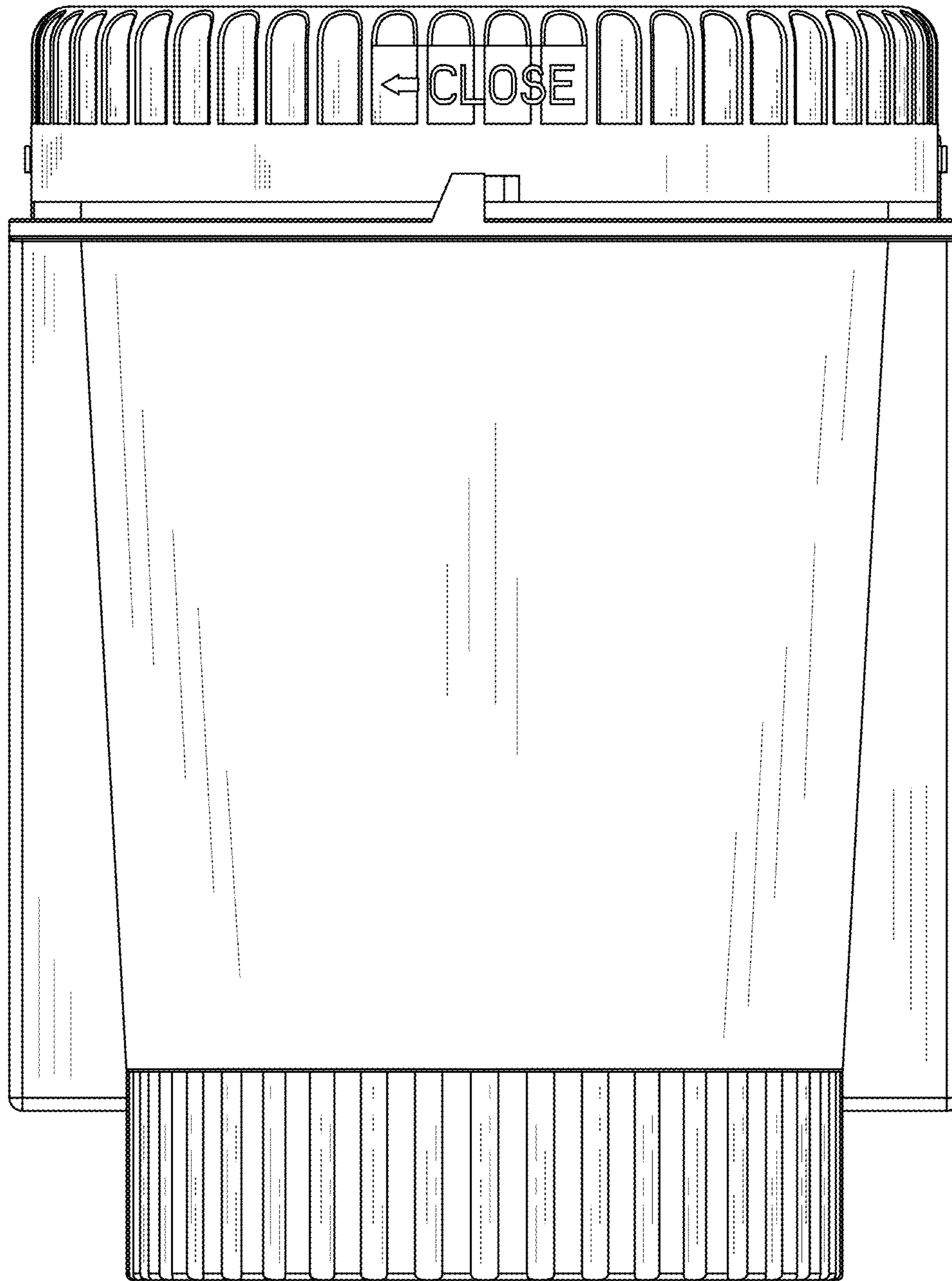


Figure 1

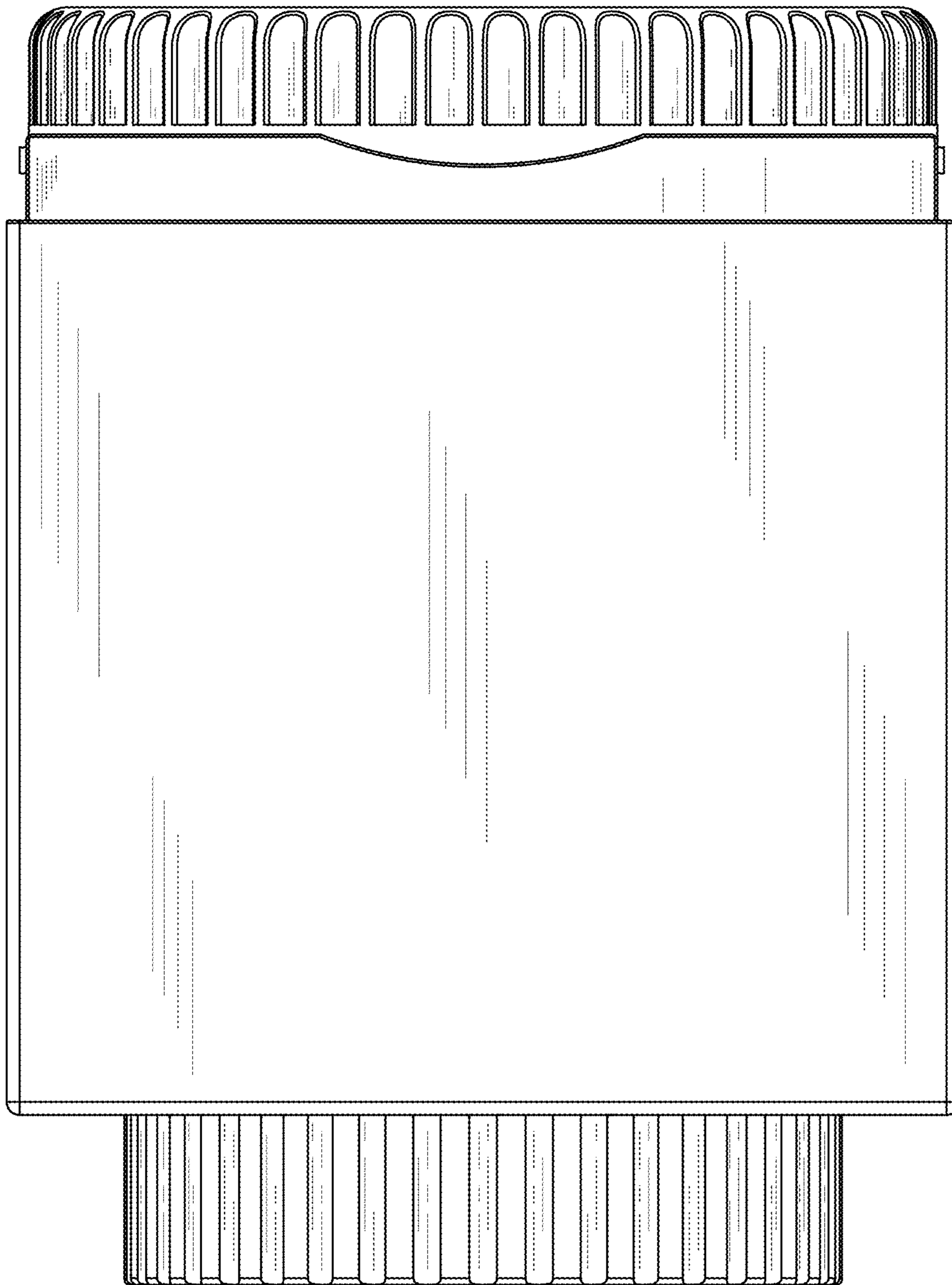


Figure 2

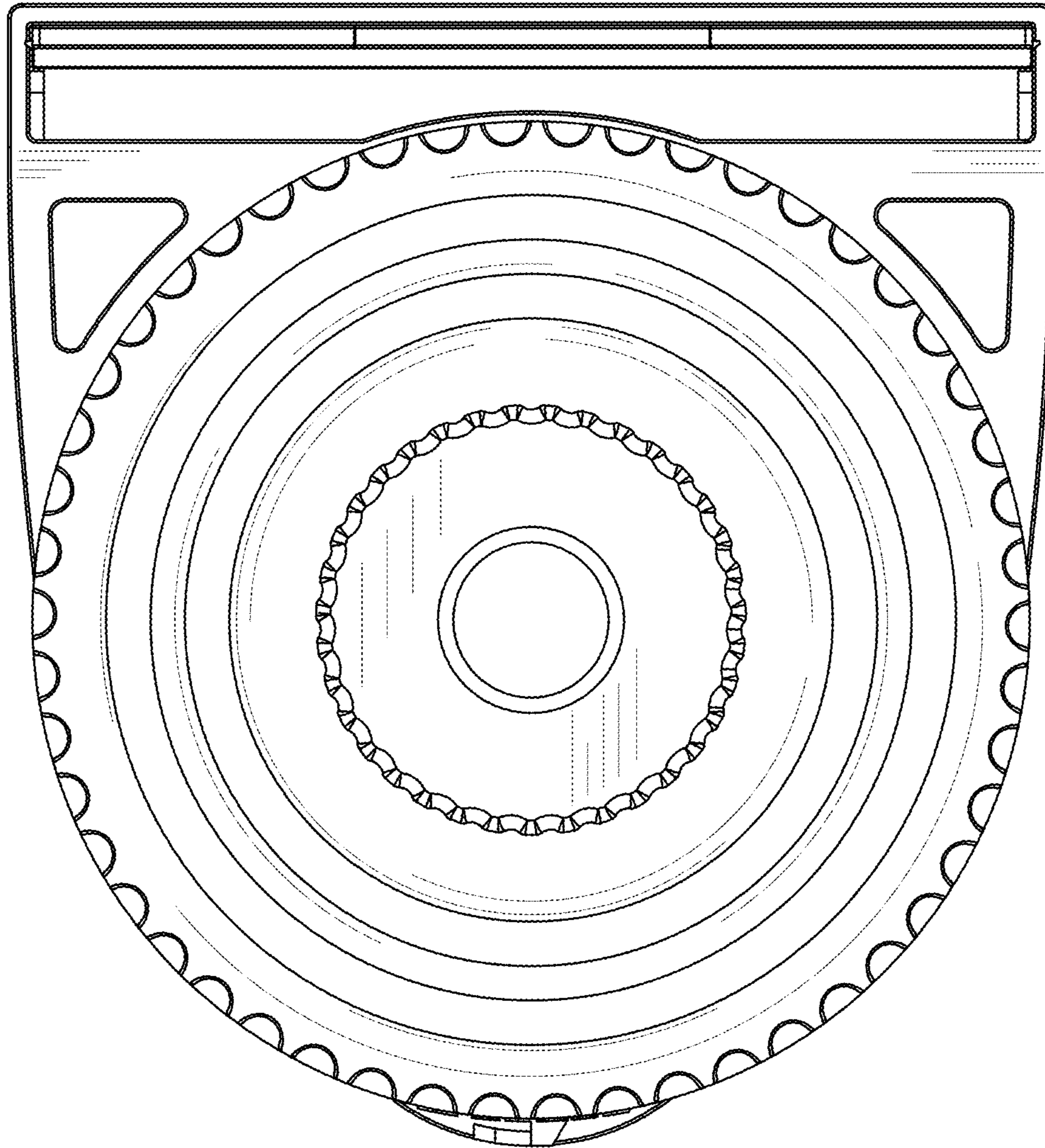


Figure 3

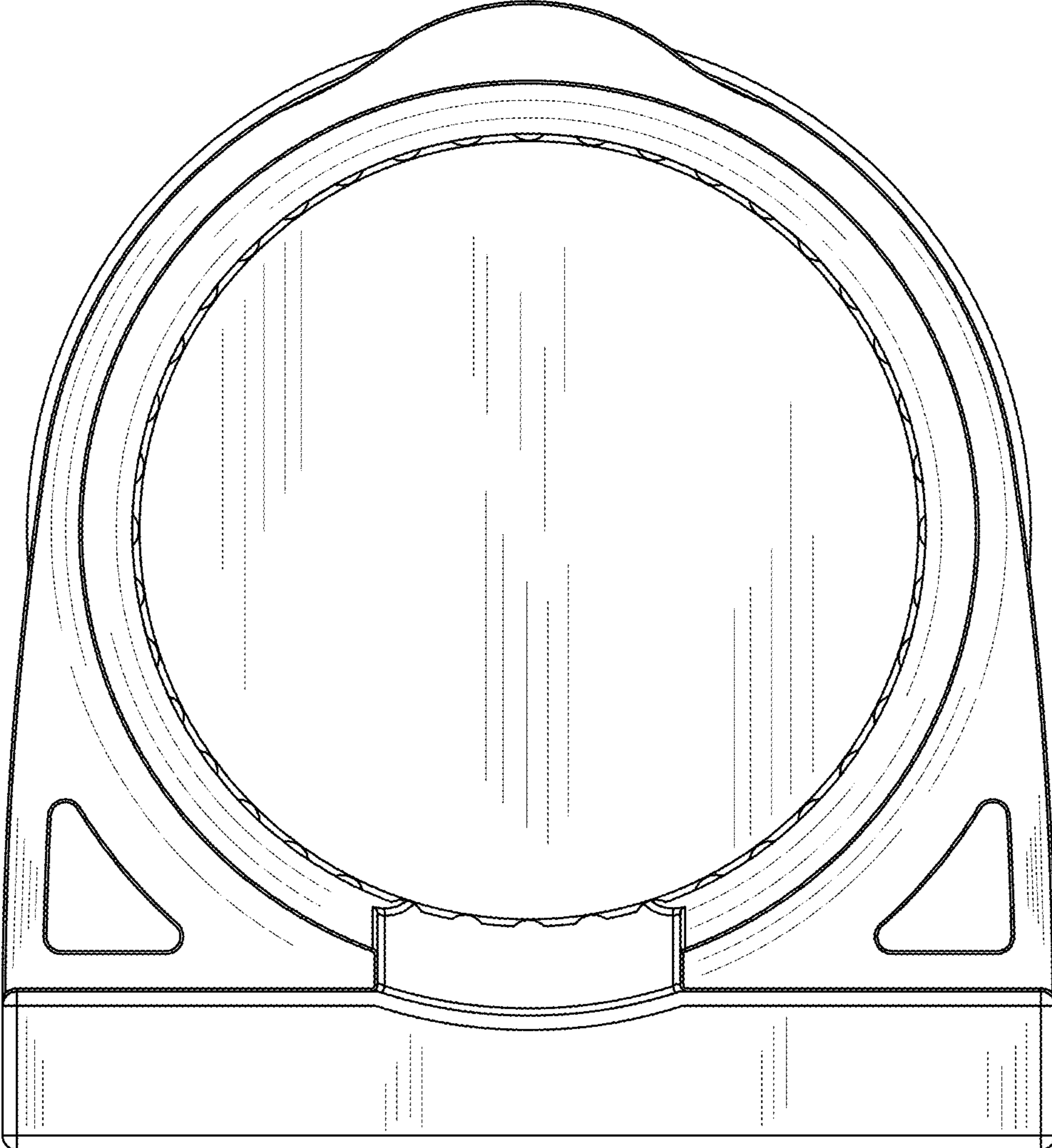


Figure 4

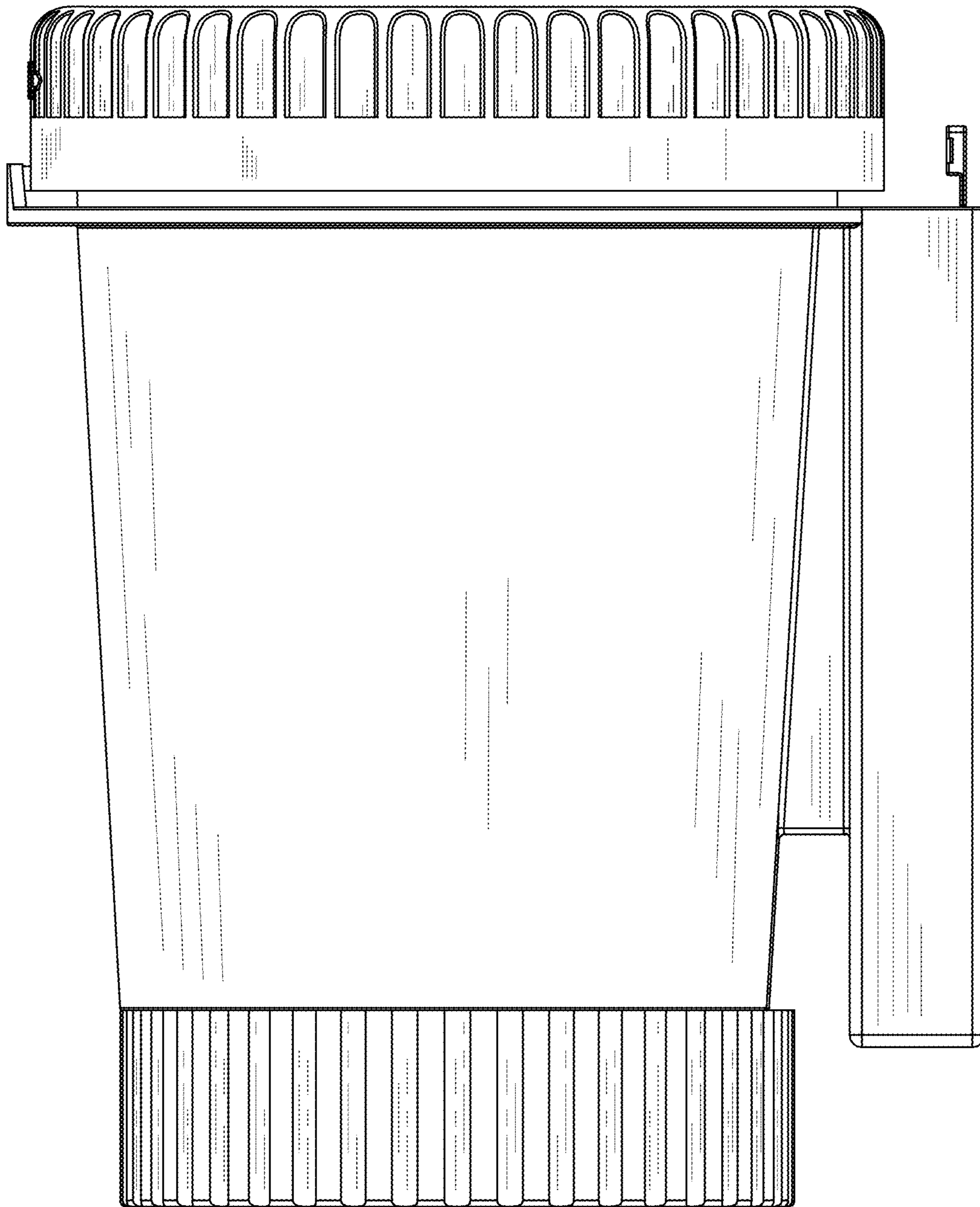


Figure 5

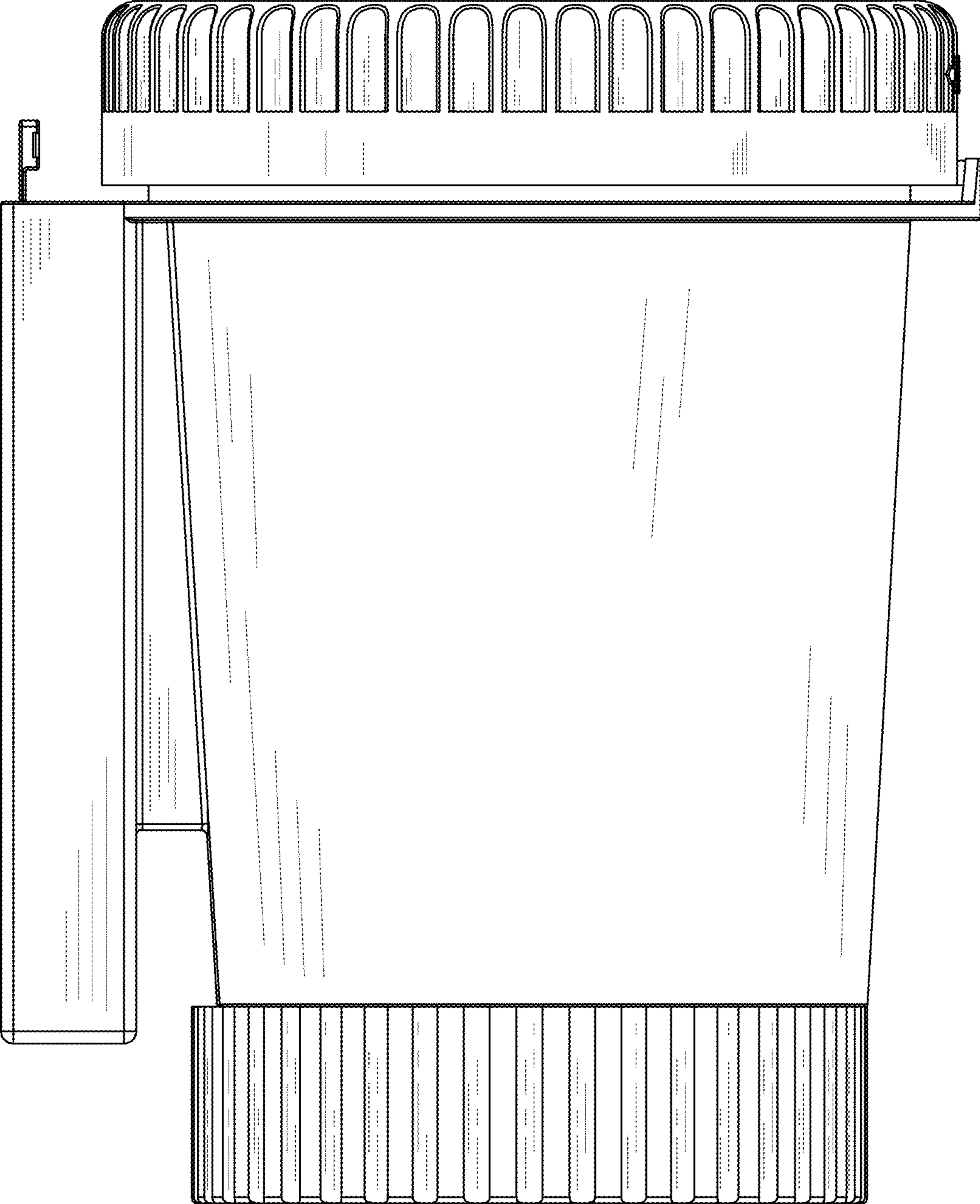


Figure 6

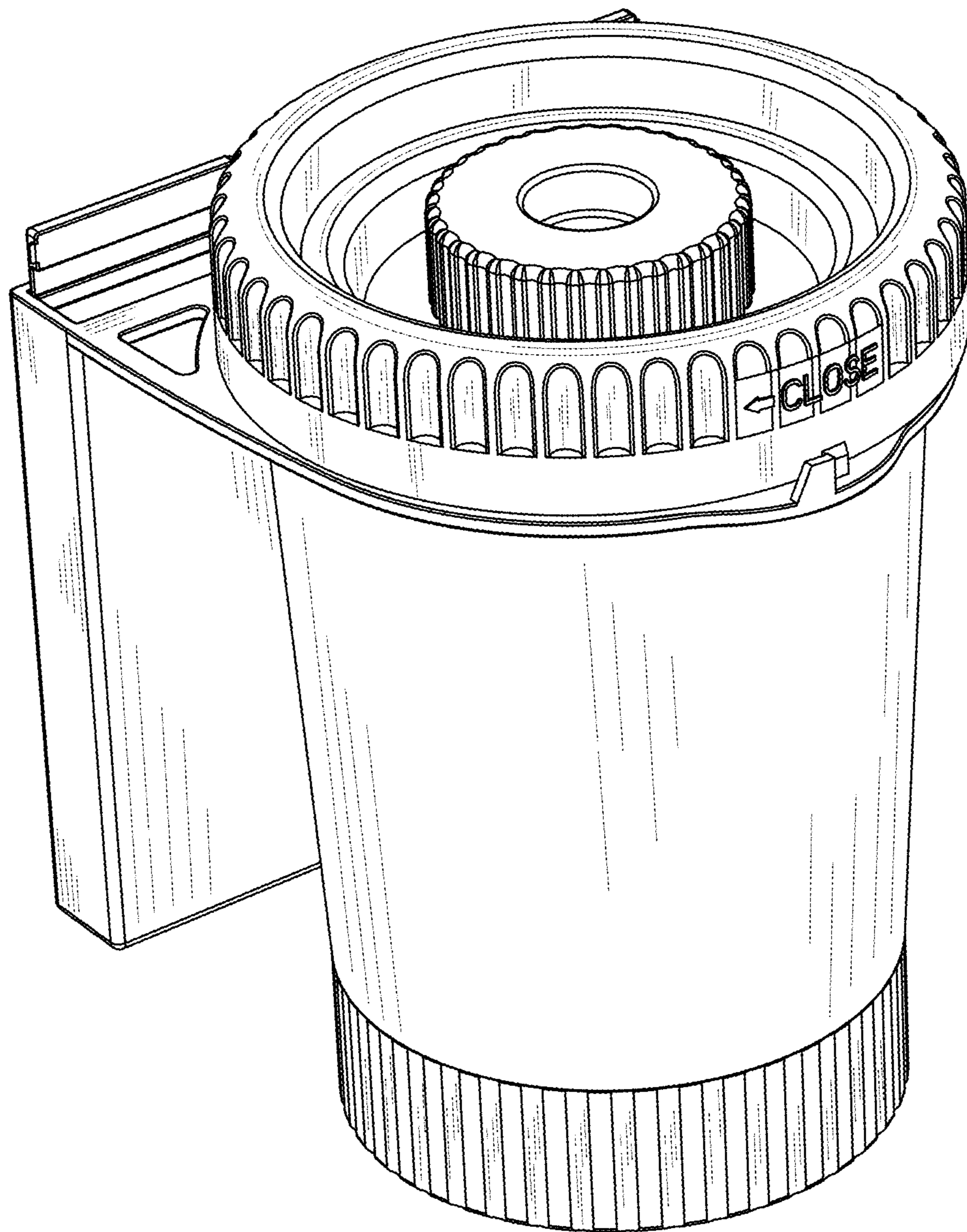


Figure 7

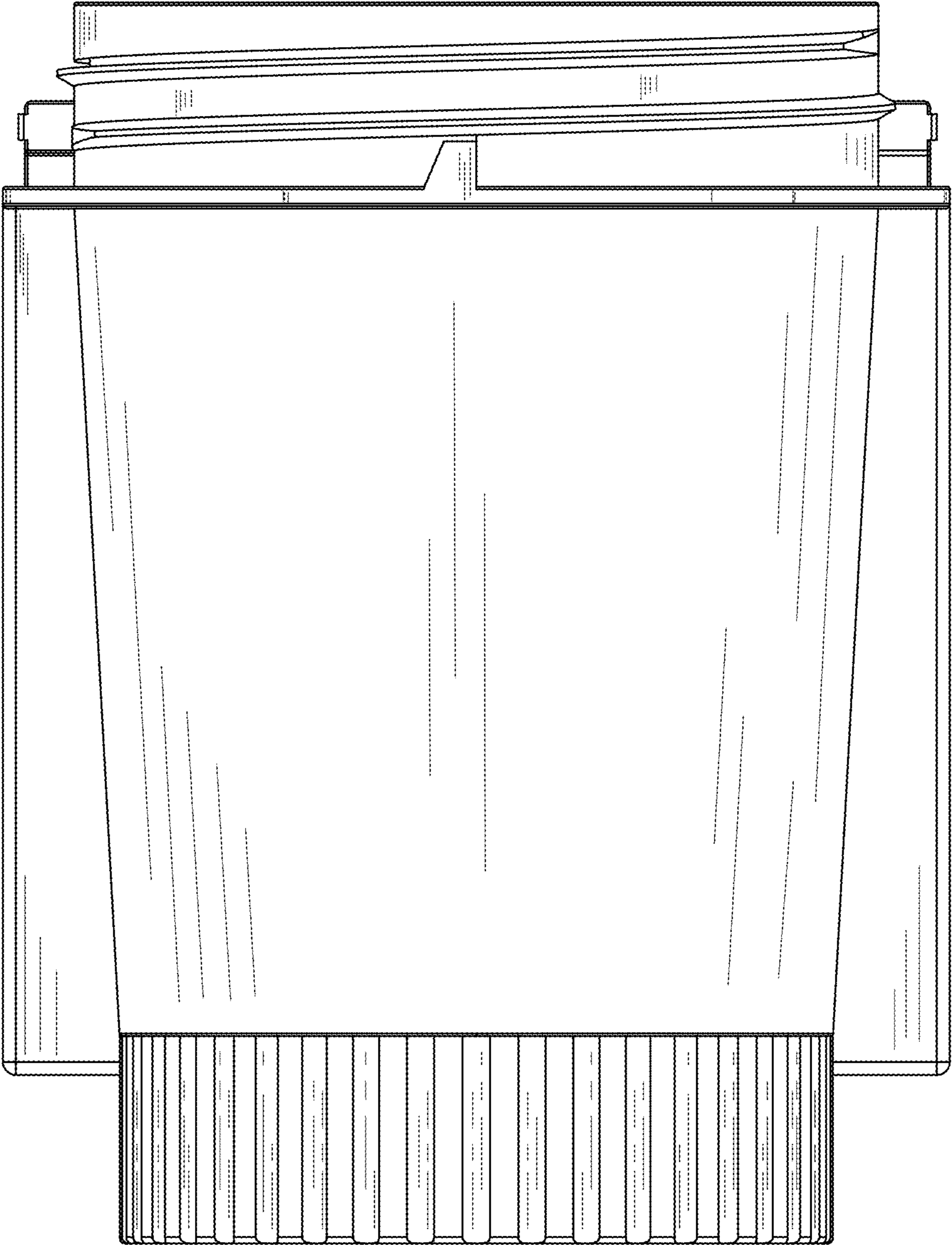


Figure 8

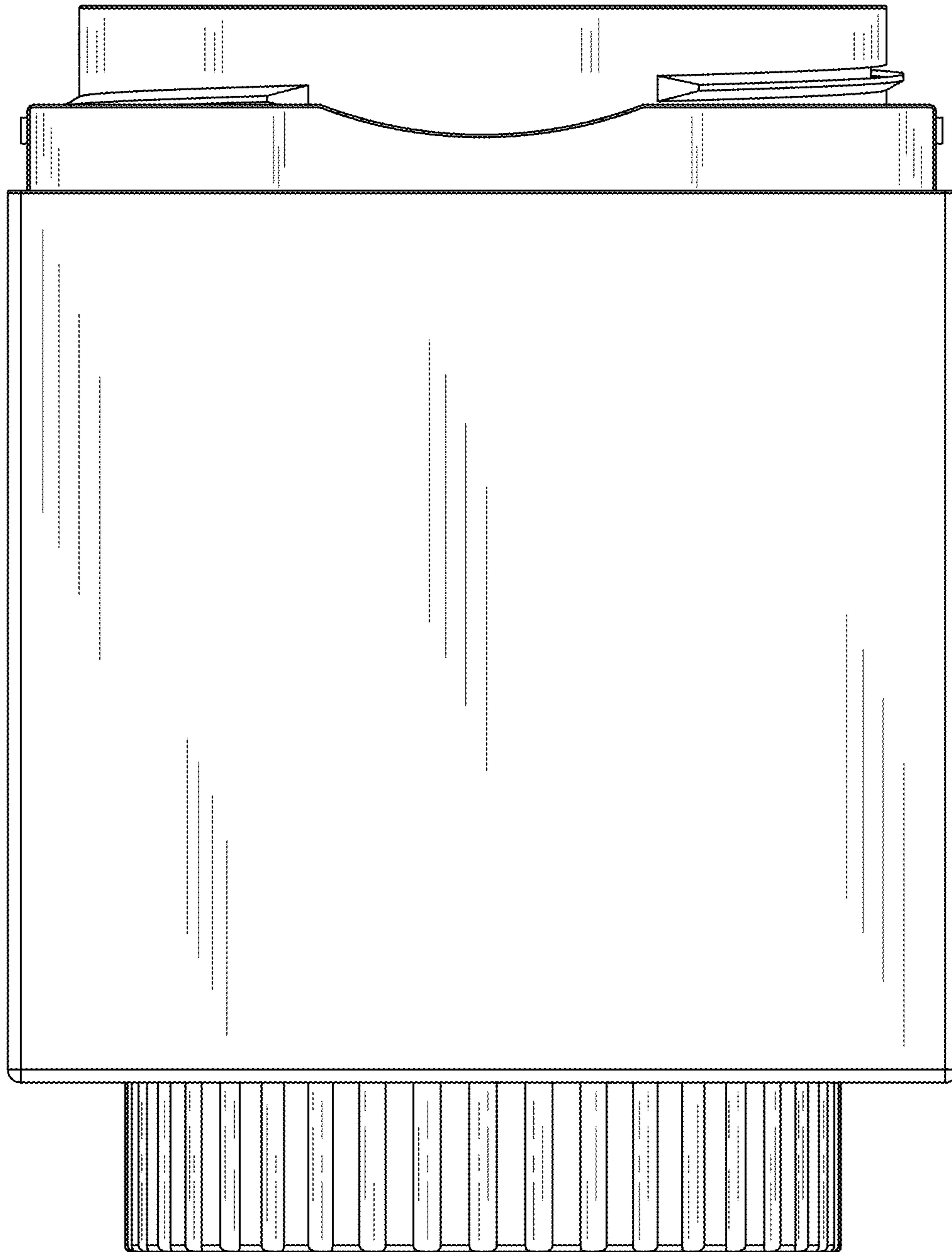


Figure 9

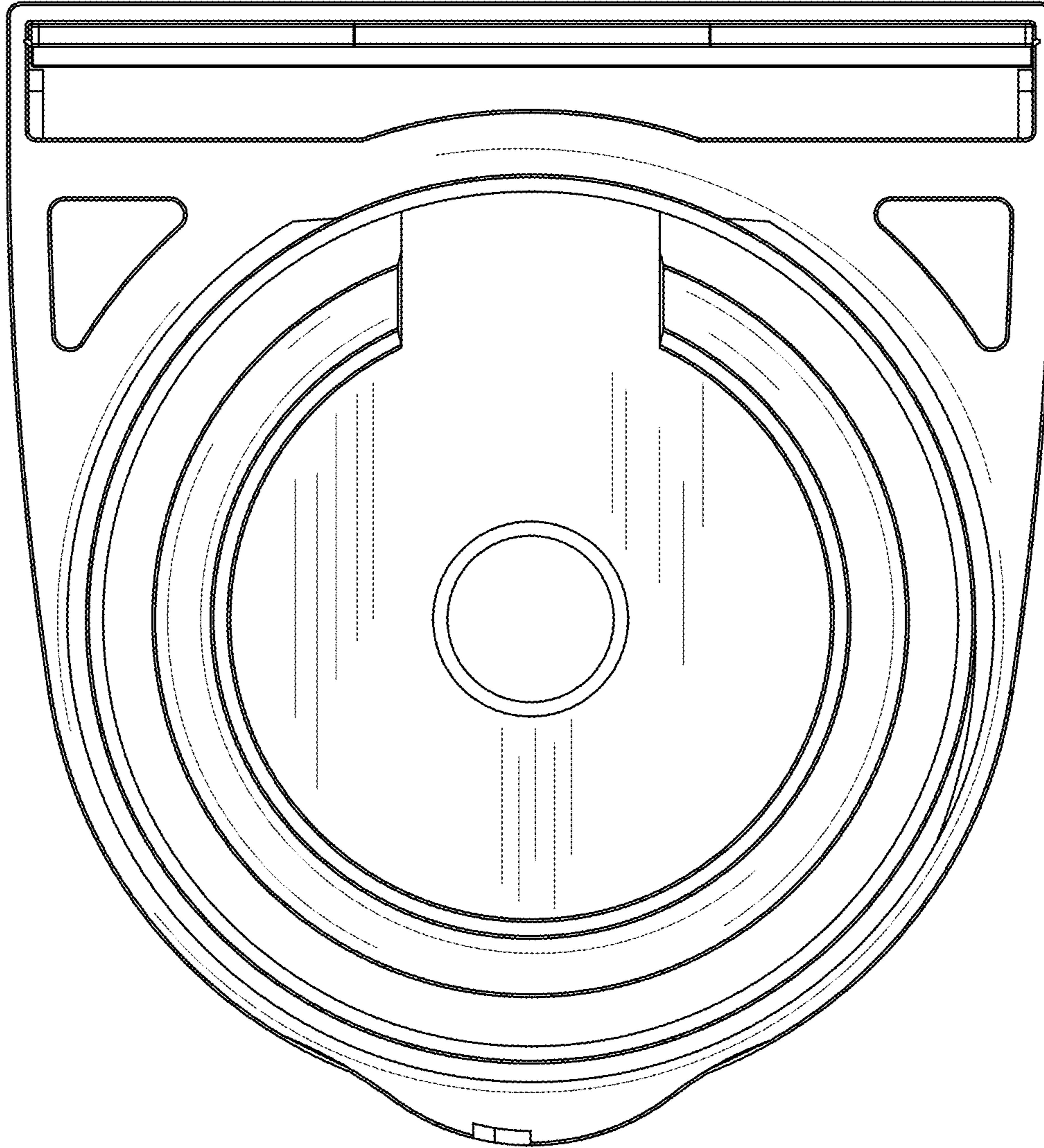


Figure 10

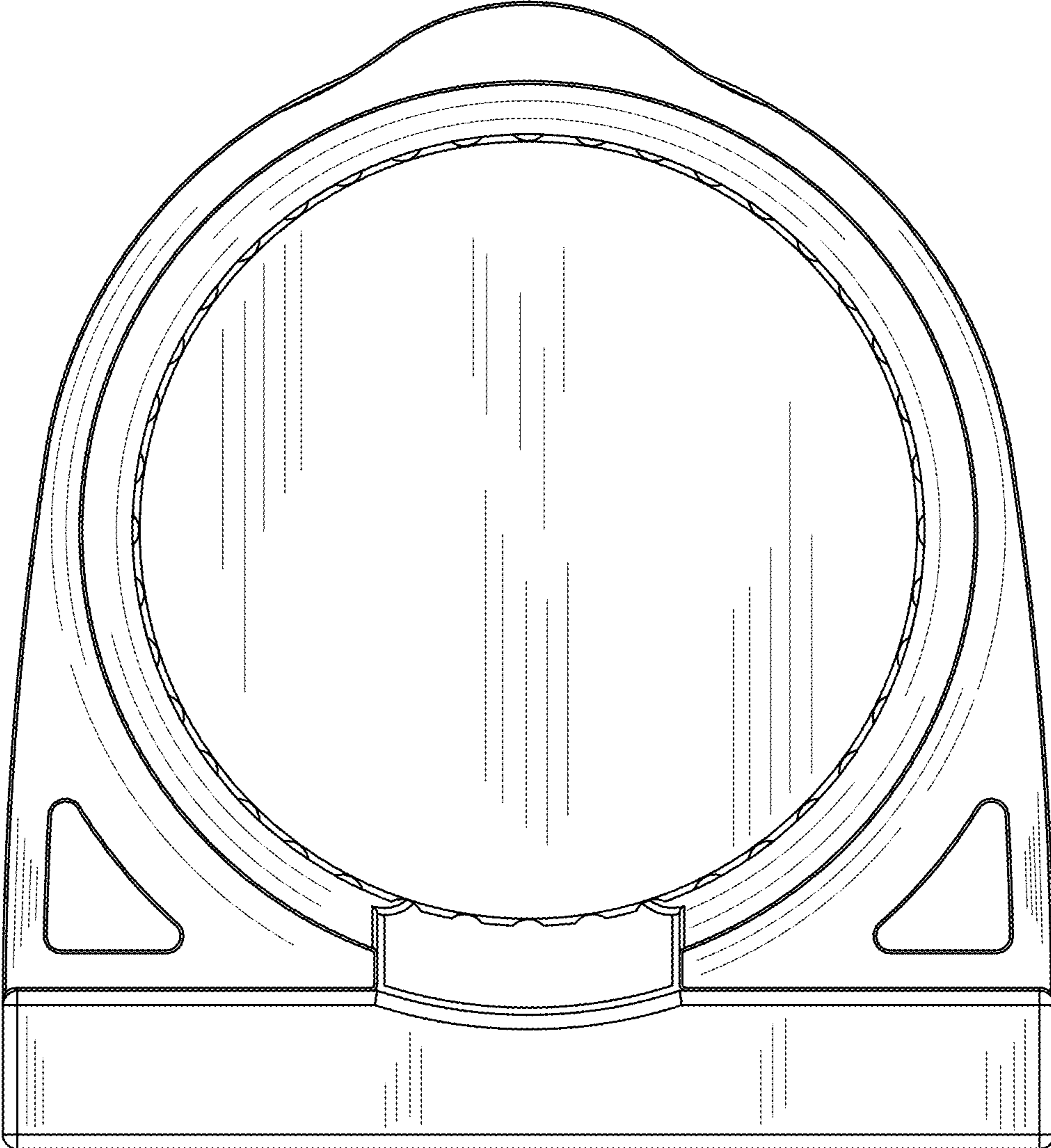


Figure 11

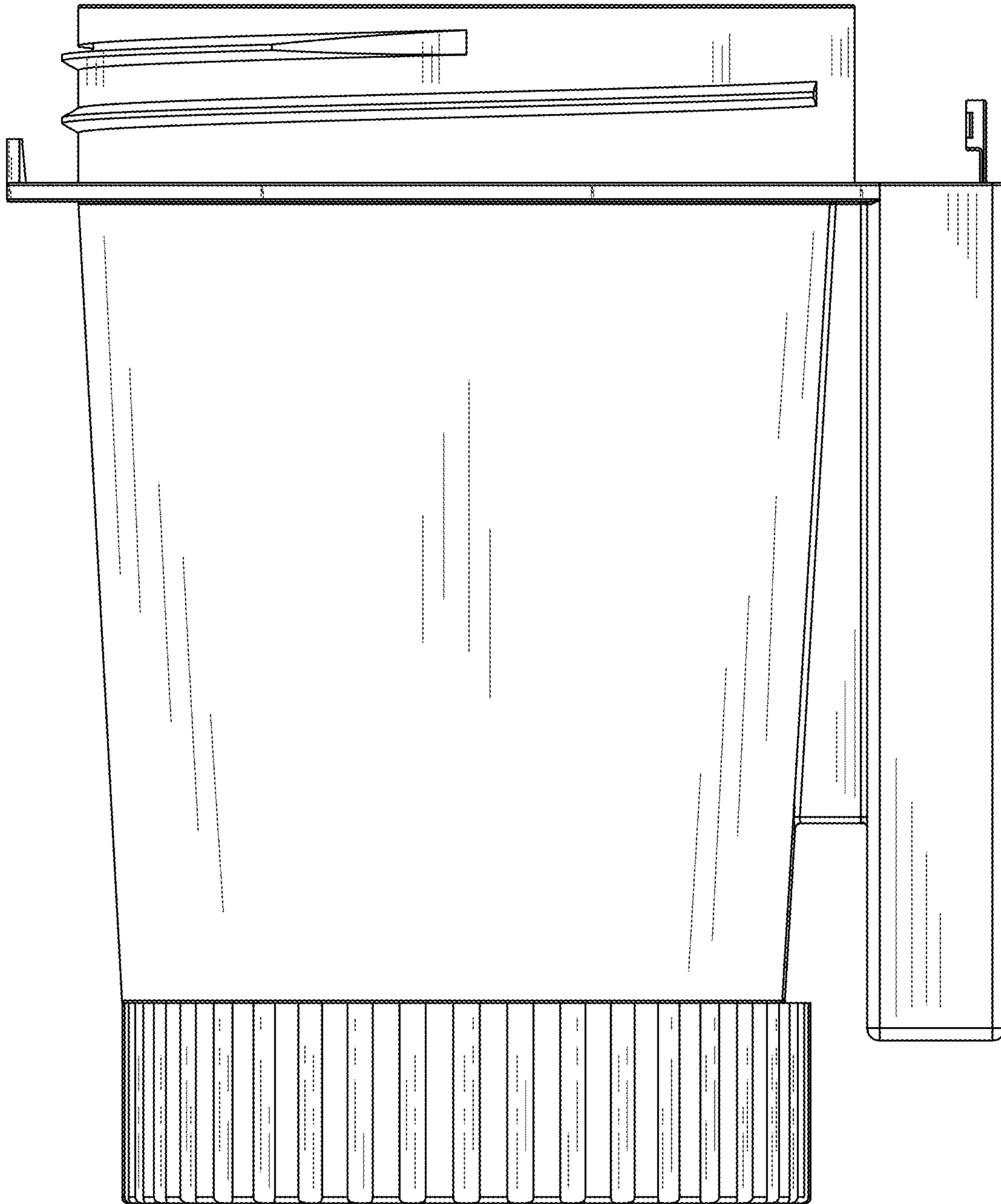


Figure 12

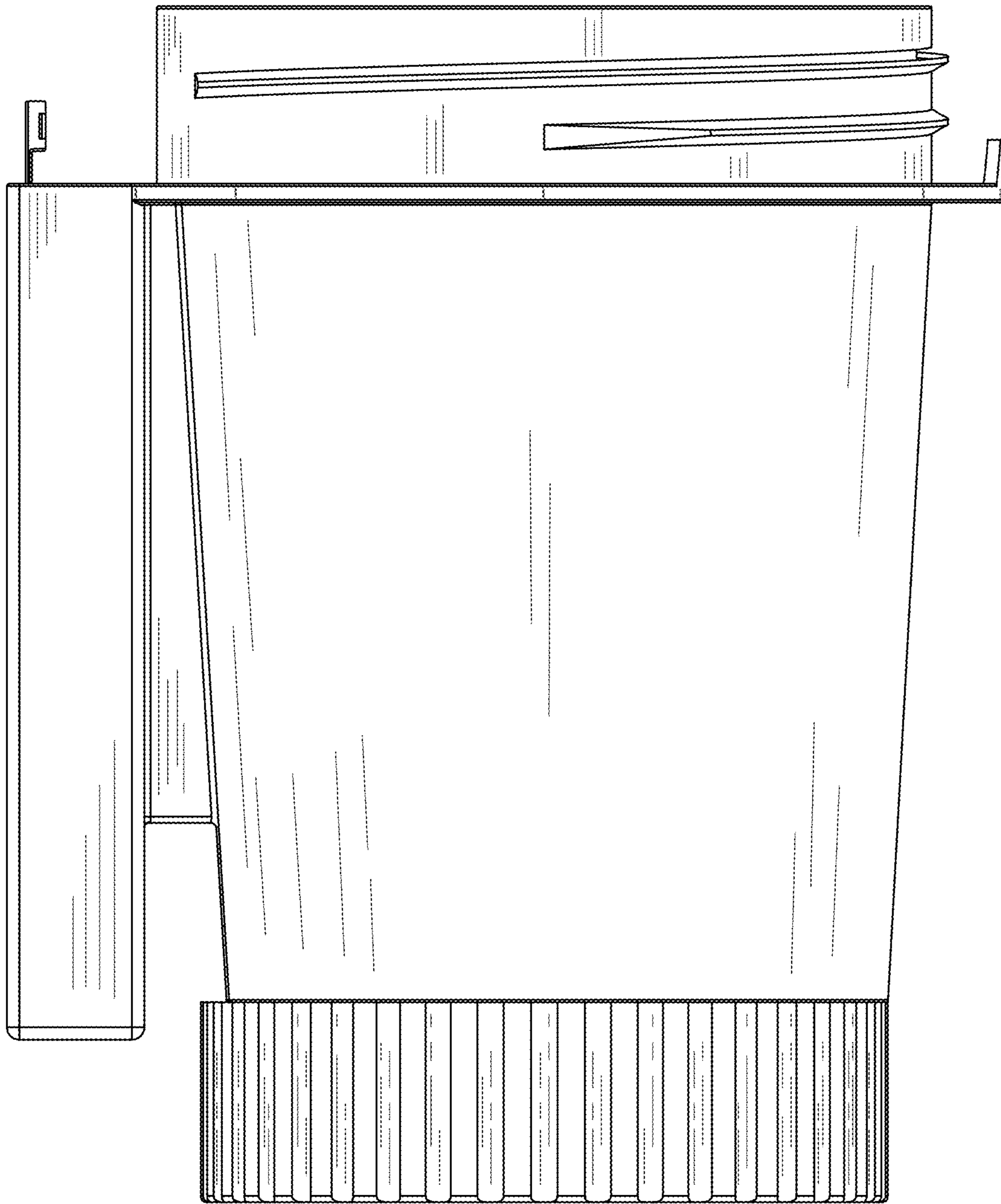


Figure 13

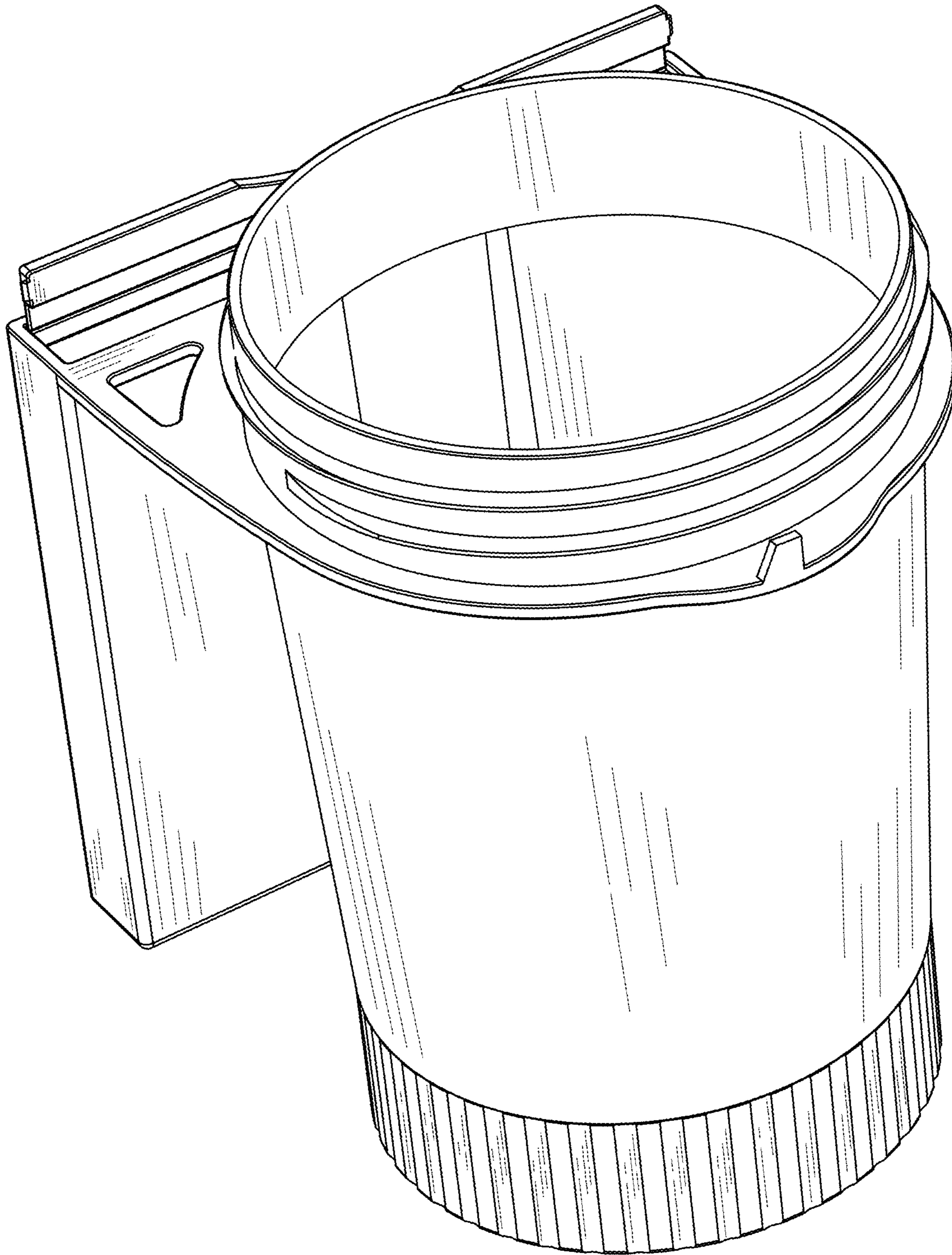


Figure 14