



US00D895137S

(12) **United States Design Patent**  
**Sheffield**

(10) **Patent No.:** **US D895,137 S**

(45) **Date of Patent:** **\*\* Sep. 1, 2020**

(54) **CENTRIFUGE**

(71) Applicant: **John Sheffield**, Poolville, TX (US)

(72) Inventor: **John Sheffield**, Poolville, TX (US)

(\*\*) Term: **15 Years**

(21) Appl. No.: **29/661,385**

(22) Filed: **Aug. 27, 2018**

(51) **LOC (12) Cl.** ..... **24-01**

(52) **U.S. Cl.**  
USPC ..... **D24/219**

(58) **Field of Classification Search**  
USPC ..... D24/170, 177, 185, 186, 216-219, 225,  
D24/231-234; D10/81

CPC ..... G01N 2035/00306; G01N 2035/00326;  
G01N 2035/00336; G01N 2035/00366;  
G01N 2035/00495; G01N 2035/00544;  
G01N 33/53; G01N 2035/00138; G01N  
2035/00168; G01N 9/30; G01N 15/042;  
G01N 33/491; B04B 7/02; A61B 5/742;  
A61B 5/743; A61B 5/7425; A61B  
5/6898; A61B 5/02405; A61B 5/02411;  
A61B 5/02427; A61B 5/02438; A61B  
5/0002; A61B 5/04325

See application file for complete search history.

(56) **References Cited**

**U.S. PATENT DOCUMENTS**

D324,107 S \* 2/1992 Koreeda ..... D24/219  
D367,867 S \* 3/1996 Suzuki ..... D10/81  
D432,243 S \* 10/2000 Suzuki ..... D24/219  
D655,822 S \* 3/2012 Oonuma ..... D24/216  
D660,976 S \* 5/2012 Henssler ..... D24/219

D679,409 S \* 4/2013 Johnson ..... D24/219  
D681,229 S \* 4/2013 Henssler ..... D24/219  
D684,271 S \* 6/2013 Kosugi ..... D24/219  
D684,272 S \* 6/2013 Taniguchi ..... D24/219  
D718,463 S \* 11/2014 Henderson ..... D24/219  
D752,769 S \* 3/2016 Taniguchi ..... D24/219  
10,151,673 B2 \* 12/2018 Neef ..... G01N 1/31  
2014/0329659 A1 \* 11/2014 Le Guyader ..... B04B 7/02  
494/82

\* cited by examiner

*Primary Examiner* — Lilyana Bekic

*Assistant Examiner* — Mary Shannon Malley

(74) *Attorney, Agent, or Firm* — Abacia Patent Law;  
Douglas A. Hosack

(57) **CLAIM**

The ornamental design for a centrifuge, as shown and described.

**DESCRIPTION**

FIG. 1 is a perspective view of the centrifuge design, showing its top, front, and right sides.

FIG. 2 is a front view of the centrifuge design.

FIG. 3 is a rear view of the centrifuge design.

FIG. 4 is a left-side view of the centrifuge design.

FIG. 5 is a right-side view of the centrifuge design.

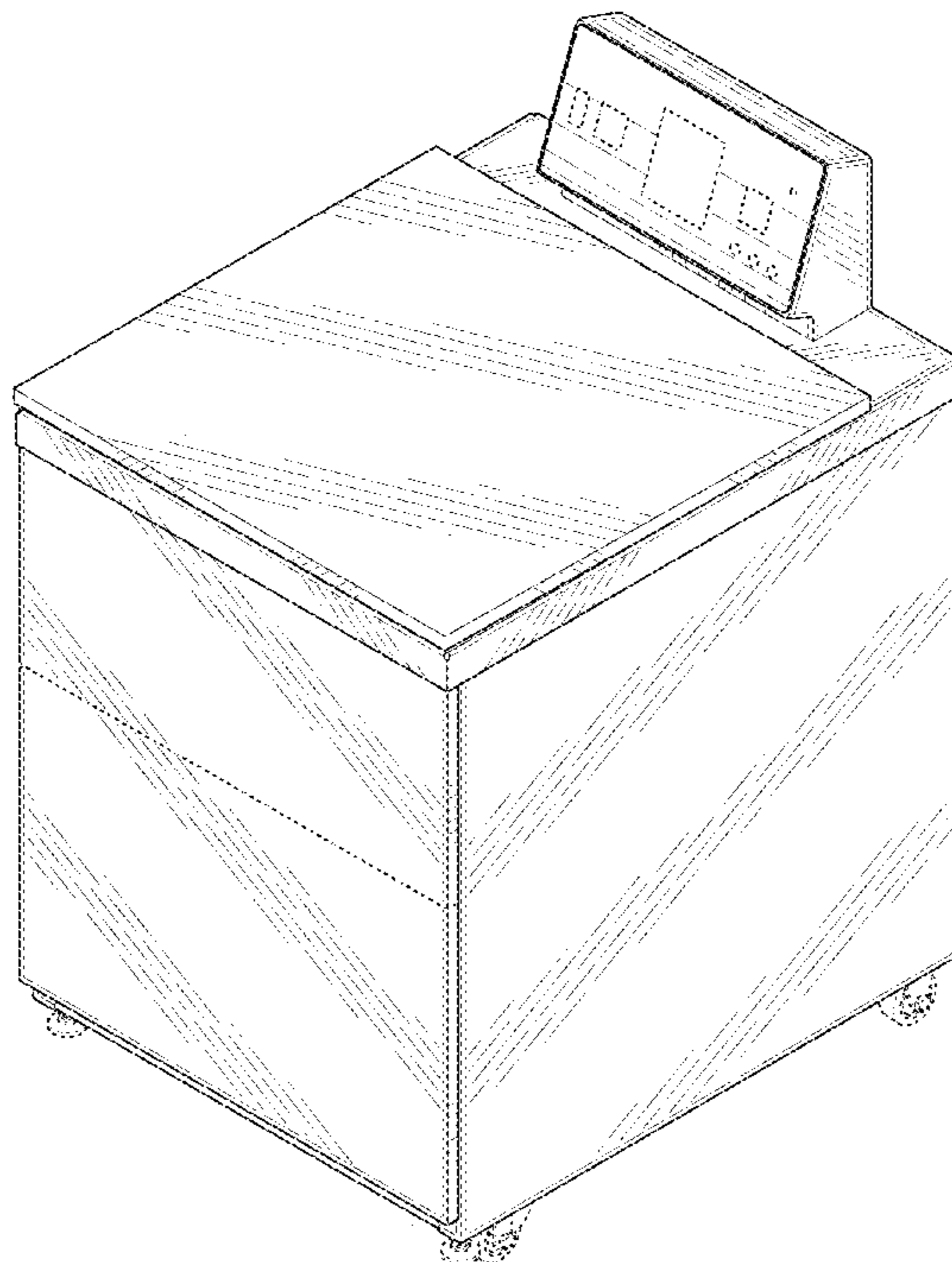
FIG. 6 is a top view of the centrifuge design; and,

FIG. 7 is a bottom view of the centrifuge design.

The broken lines illustrate portions of the centrifuge that form no part of the claimed design.

A characteristic feature of the ornamental design is the polished metallic surface material covering the major surfaces of the centrifuge. The metallic surface is illustrated in FIGS. 1-7 by oblique line shading.

**1 Claim, 7 Drawing Sheets**



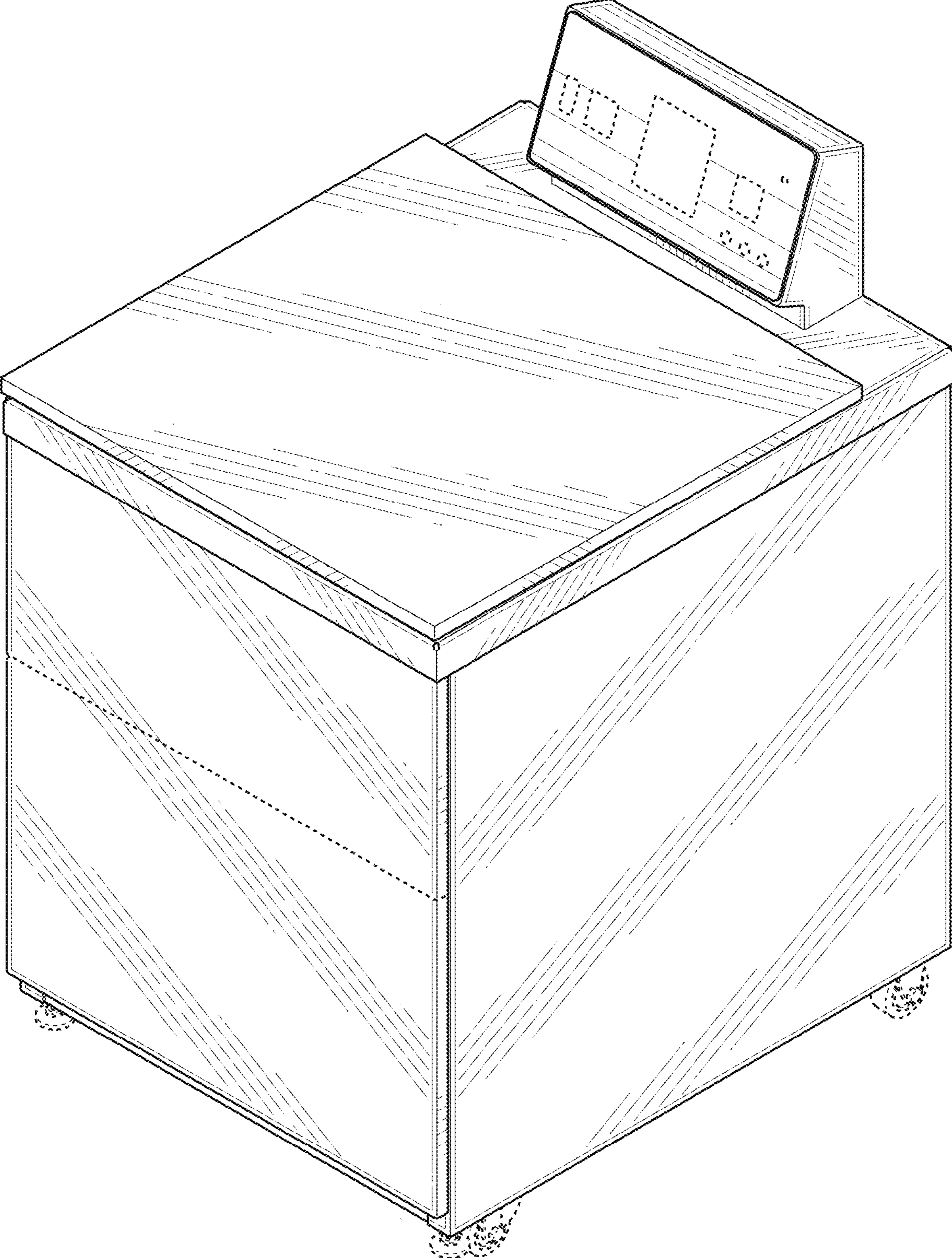


FIG. 1



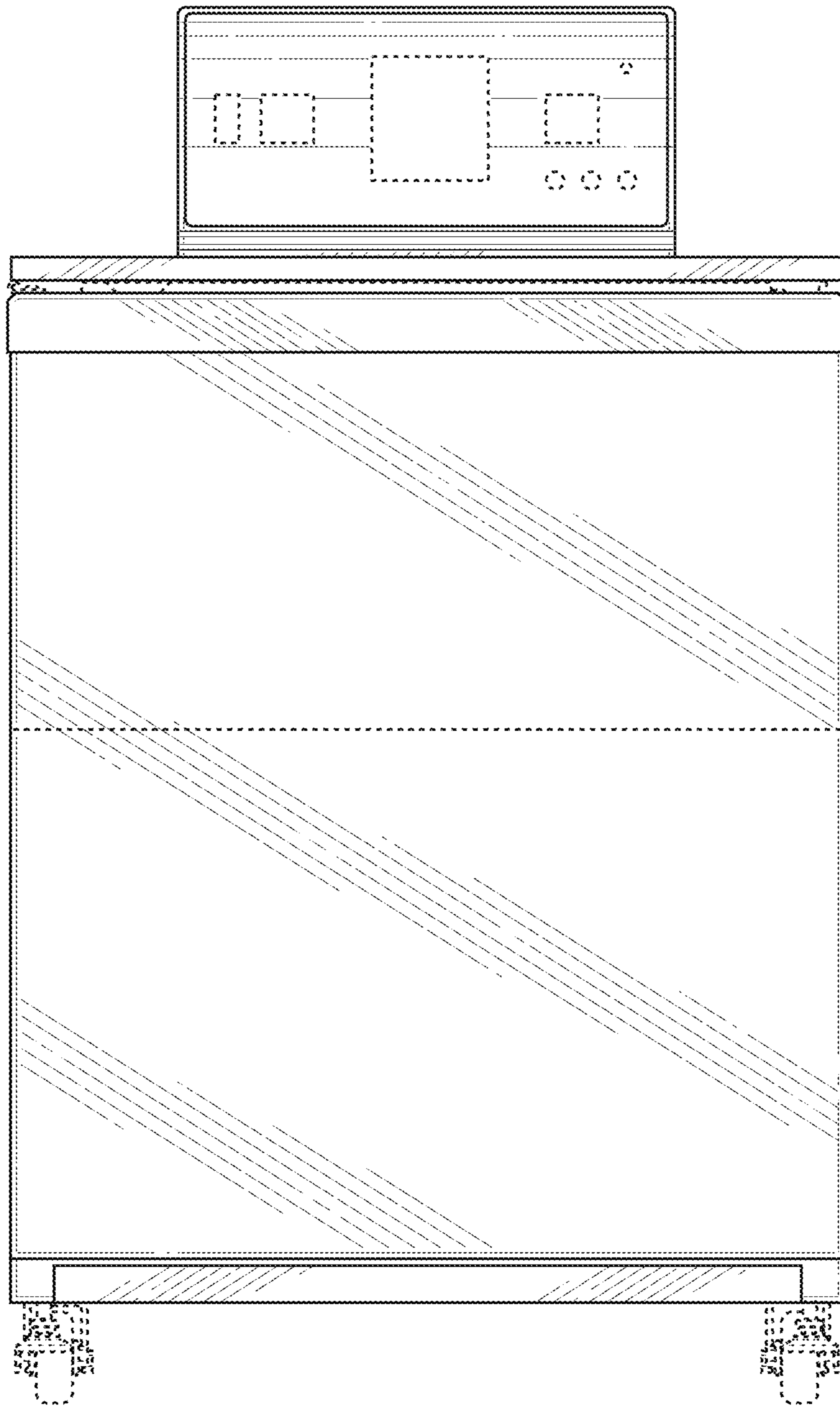


FIG. 2

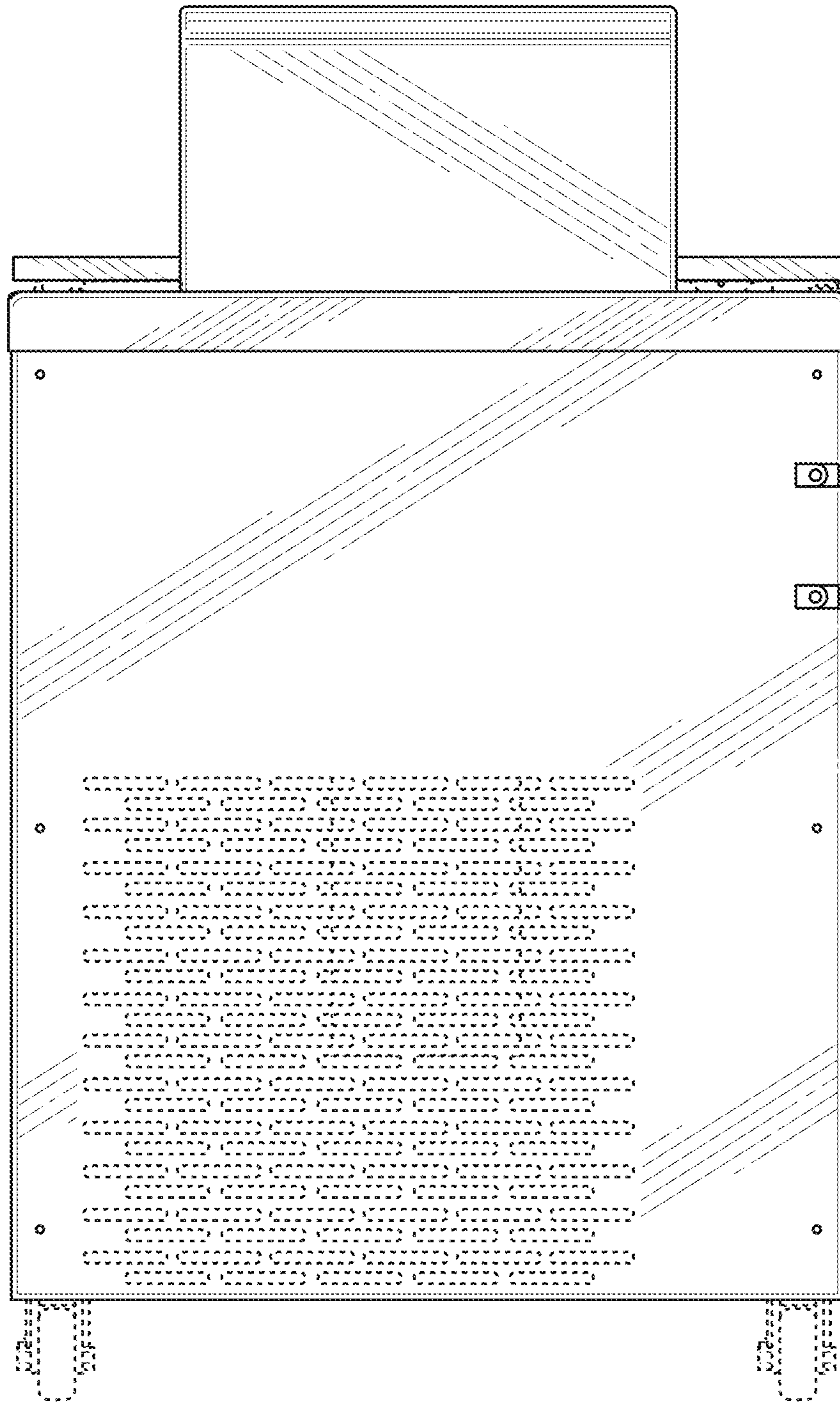


FIG. 3

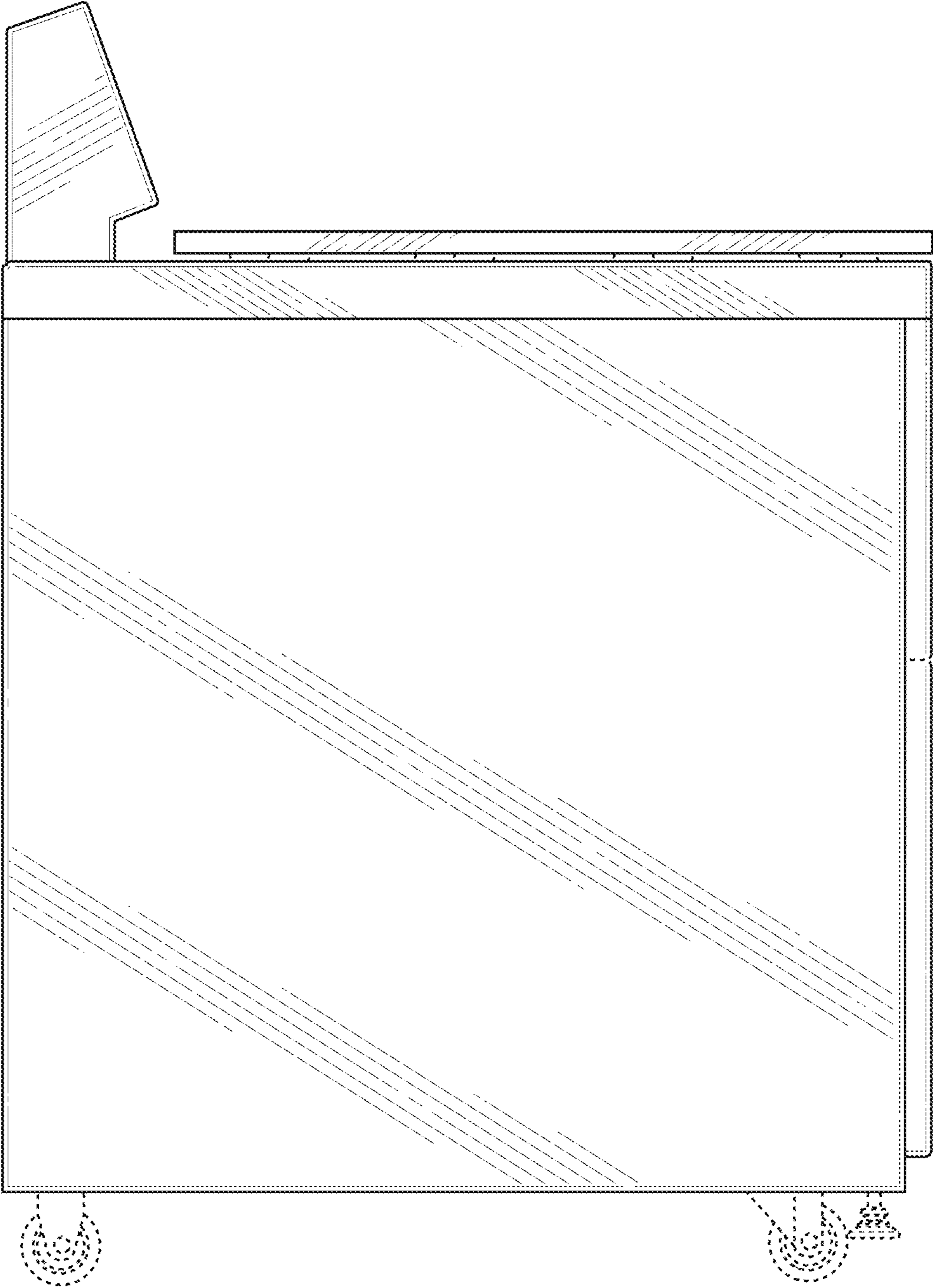


FIG. 4

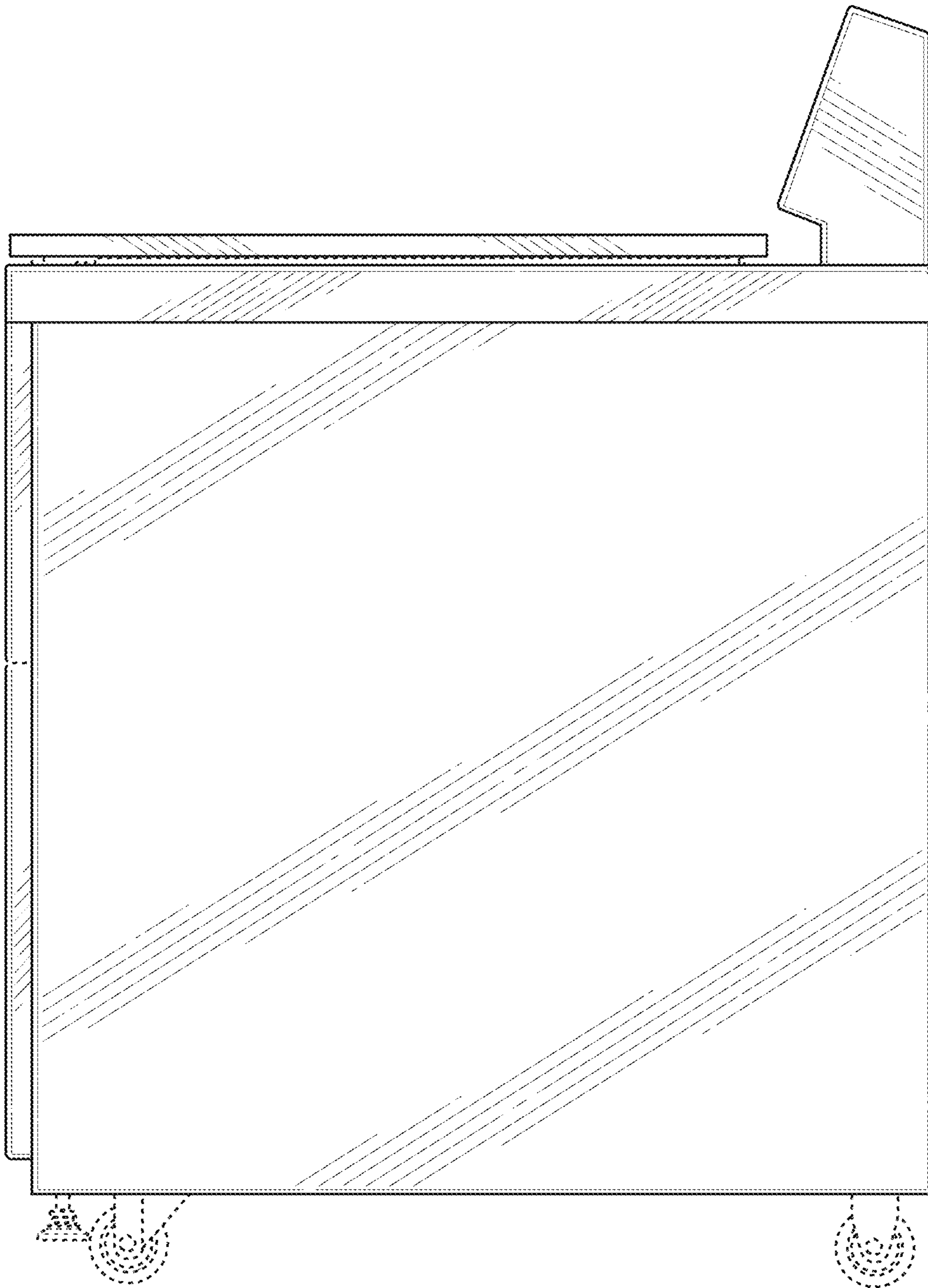


FIG. 5



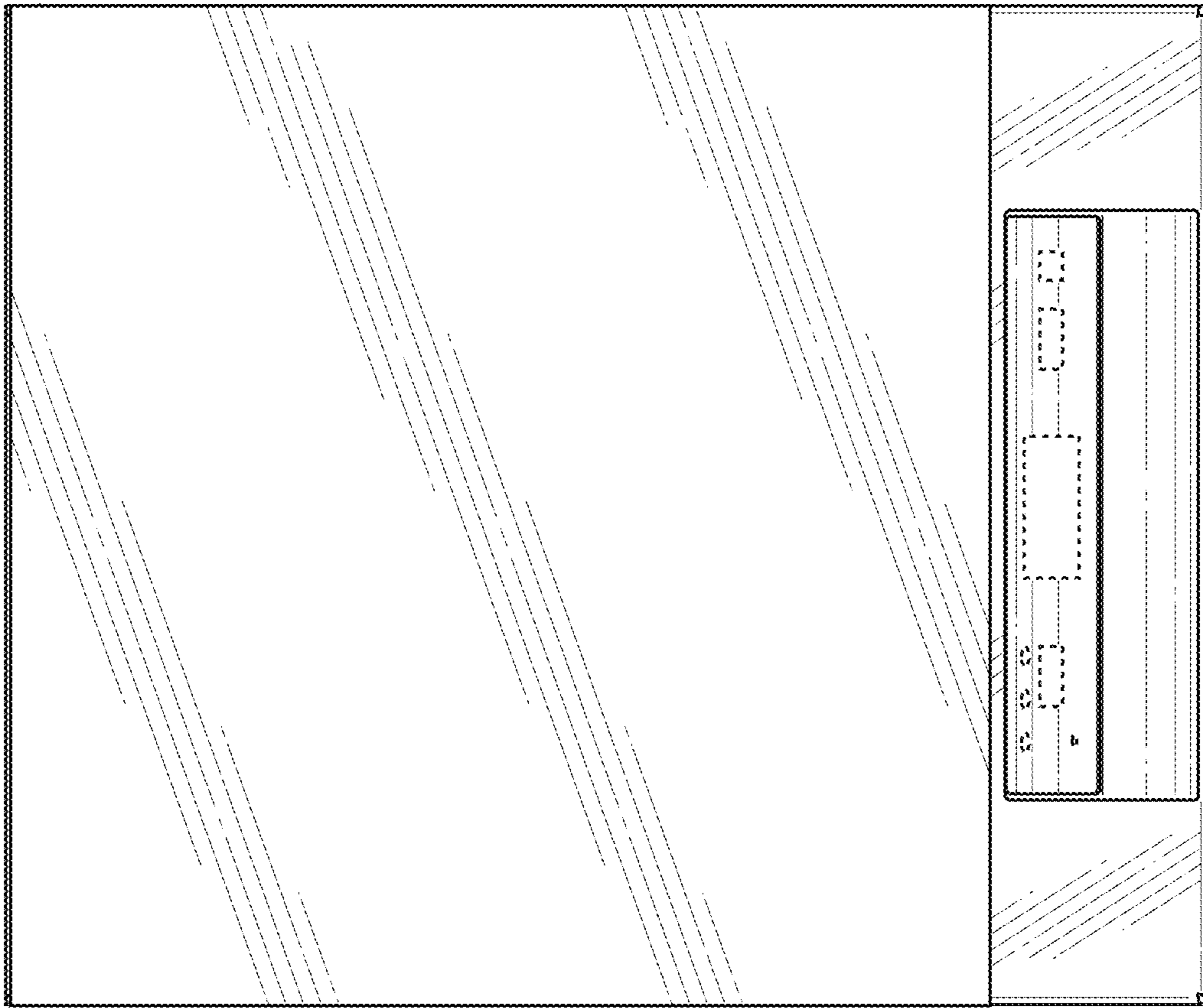


FIG. 6

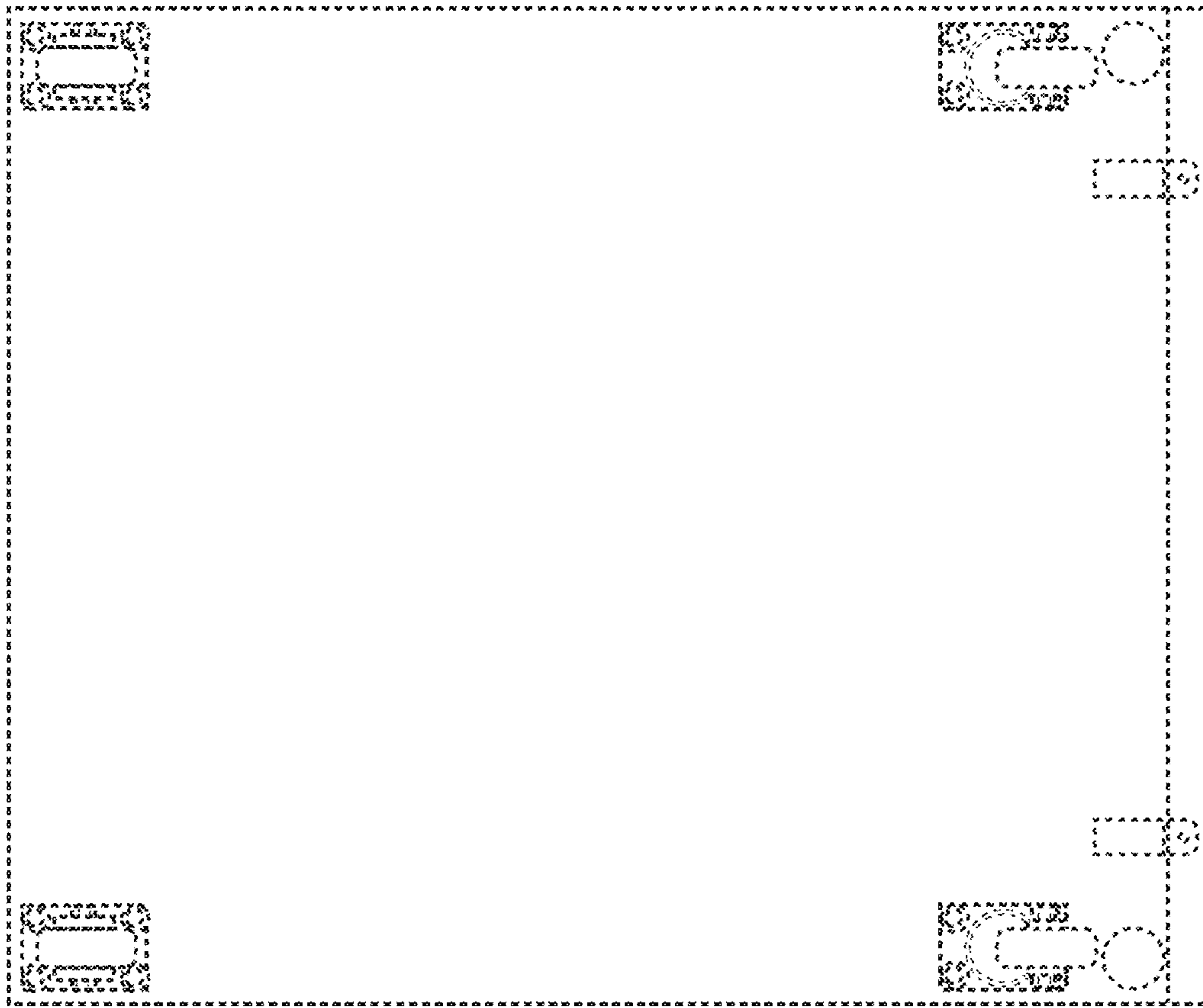


FIG. 7