



US00D895136S

(12) **United States Design Patent** (10) **Patent No.:** **US D895,136 S**
Whitehead et al. (45) **Date of Patent:** **** Sep. 1, 2020**

(54) **STERILIZATION POUCH**
(71) Applicant: **Crosstex International, Inc.**,
Hauppauge, NY (US)
(72) Inventors: **Andrew G. Whitehead**, Bay Shore, NY
(US); **Mitchell V. Steinberg**, Oyster
Bay Cove, NY (US); **Charles A.**
Hughes, Rush, NY (US)

(73) Assignee: **Crosstex International, Inc.**,
Hauppauge, NY (US)

(**) Term: **15 Years**

(21) Appl. No.: **29/671,926**

(22) Filed: **Nov. 30, 2018**

Related U.S. Application Data

(60) Division of application No. 14/554,928, filed on Nov.
26, 2014, which is a continuation of application No.
12/351,427, filed on Jan. 9, 2009, now abandoned.

(51) **LOC (12) Cl.** **24-01**

(52) **U.S. Cl.**
USPC **D24/217**

(58) **Field of Classification Search**
USPC D24/118, 121, 207, 216, 217, 218, 219,
D24/220, 224, 232; D3/303; D9/702,
D9/707, 709, 711

(Continued)

(56) **References Cited**

U.S. PATENT DOCUMENTS

2,826,073 A 3/1958 Huyck et al.
3,093,242 A 6/1963 Huyck

(Continued)

OTHER PUBLICATIONS

International Search Report and Written Opinion for PCT/US2009/
030609, dated Apr. 23, 2009, 9 pages.

(Continued)

Primary Examiner — Anhdao Doan
(74) *Attorney, Agent, or Firm* — Sorell, Lenna &
Schmidt, LLP; William D. Schmidt, Esq.

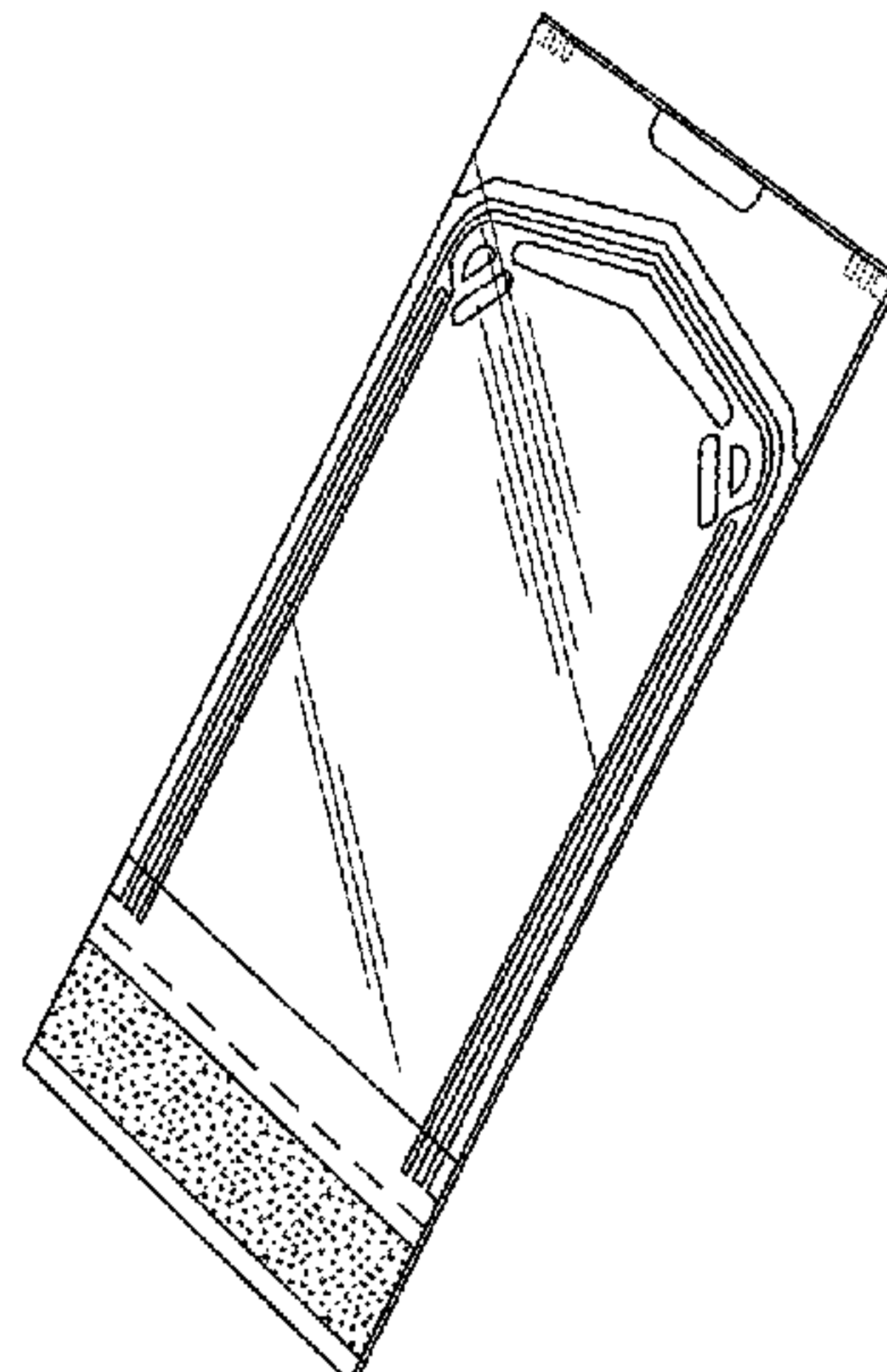
(57) **CLAIM**

The ornamental design for a sterilization pouch, as shown
and described.

DESCRIPTION

FIG. 1 is a perspective view of a first embodiment of a
sterilization pouch;
FIG. 2 is a front view thereof;
FIG. 3 is an end view thereof;
FIG. 4 is another end view thereof;
FIG. 5 is a back view thereof;
FIG. 6 is a side view thereof;
FIG. 7 is another side view thereof;
FIG. 8 is a perspective view of a second embodiment of a
sterilization pouch;
FIG. 9 is a front view thereof;
FIG. 10 is an end view thereof;
FIG. 11 is another end view thereof;
FIG. 12 is a back view thereof;
FIG. 13 is a side view thereof;
FIG. 14 is another side view thereof;
FIG. 15 is a perspective view of a third embodiment of a
sterilization pouch;
FIG. 16 is a front view thereof;
FIG. 17 is an end view thereof;
FIG. 18 is another end view thereof;
FIG. 19 is a back view thereof;
FIG. 20 is a side view thereof;
FIG. 21 is another side view thereof;
FIG. 22 is a perspective view of a fourth embodiment of a
sterilization pouch;
FIG. 23 is a front view thereof;
FIG. 24 is an end view thereof;
FIG. 25 is another end view thereof;
FIG. 26 is a back view thereof;
FIG. 27 is a side view thereof; and,
FIG. 28 is another side view thereof.

(Continued)



The broken lines in the figures are perforation lines which are for illustrative purposes and form no part of the claimed design.

1 Claim, 12 Drawing Sheets

(58) Field of Classification Search

CPC A61L 2/26; A61L 2/24; A61L 2/17; A61L 2/18; A61L 2/025; A61L 2202/122; A61L 2202/10; A61L 2202/11; A61L 2202/14; A61L 2202/23; A61L 2202/24; A61L 2202/182

See application file for complete search history.

(56)

References Cited

U.S. PATENT DOCUMENTS

3,768,725 A 10/1973 Pilaro
 3,991,881 A * 11/1976 Augurt B65D 75/30
 206/439
 4,091,921 A 5/1978 Lewis
 4,121,714 A 10/1978 Daly et al.
 4,168,779 A 9/1979 Yokokoji et al.
 4,206,844 A 6/1980 Thukamoto et al.
 D259,997 S * 7/1981 Porteous D9/707
 4,358,015 A 11/1982 Hirsch
 D330,427 S * 10/1992 Meijer D24/217

5,344,017 A 9/1994 Wittrock
 5,590,777 A * 1/1997 Weiss A61L 2/07
 206/439
 5,620,656 A 4/1997 Wensky et al.
 D421,307 S * 2/2000 Harmanoglu D24/216
 6,767,509 B1 7/2004 Griesbach et al.
 D605,528 S * 12/2009 Cho D9/707
 D726,309 S * 4/2015 Wood D24/121
 2004/0178099 A1 * 9/2004 Natay-Curley A61L 2/07
 206/370
 2006/0088450 A1 4/2006 Stecklein
 2009/0123332 A1 * 5/2009 Whitehead A61L 2/07
 422/27
 2010/0108551 A1 * 5/2010 Kuo A61L 2/26
 206/363
 2012/0205269 A1 * 8/2012 Ludvig A61L 2/00
 206/363

OTHER PUBLICATIONS

Medi-Plus Pre-Folded Self-Seal pouches, website printout, 2 pages.
 Dual Monitor Strip, Product Overview, <http://www.spsmedical.com/products> . . . , printed Nov. 16, 2007, 4 pages.
 STEAMPlus Sterilization Integrator, General Information, <http://www.spsmedical.com/products> . . . , printed Nov. 16, 2007, 1 page.
 ETIGAM brochure, 6 pages.
 Hi-Performer Self-Seal pouches, North Bay/Bioscience, LLC, website printout from <http://www.nbbs.com/hiperformer.html>, printed Nov. 6, 2007, 2 pages.

* cited by examiner

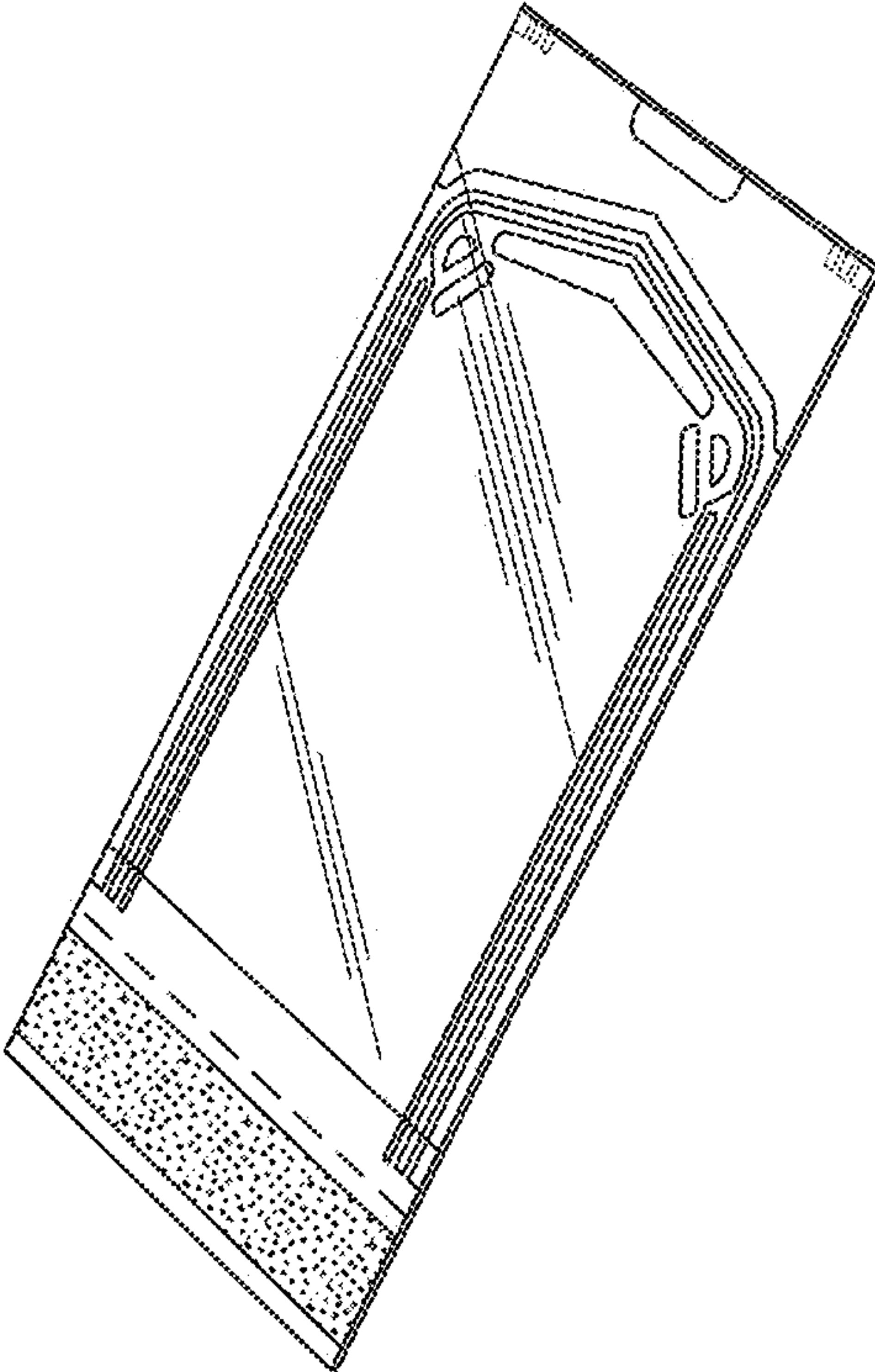


FIG.
1

FIG.
3

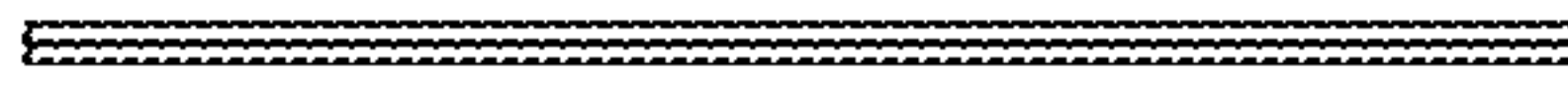


FIG.
2

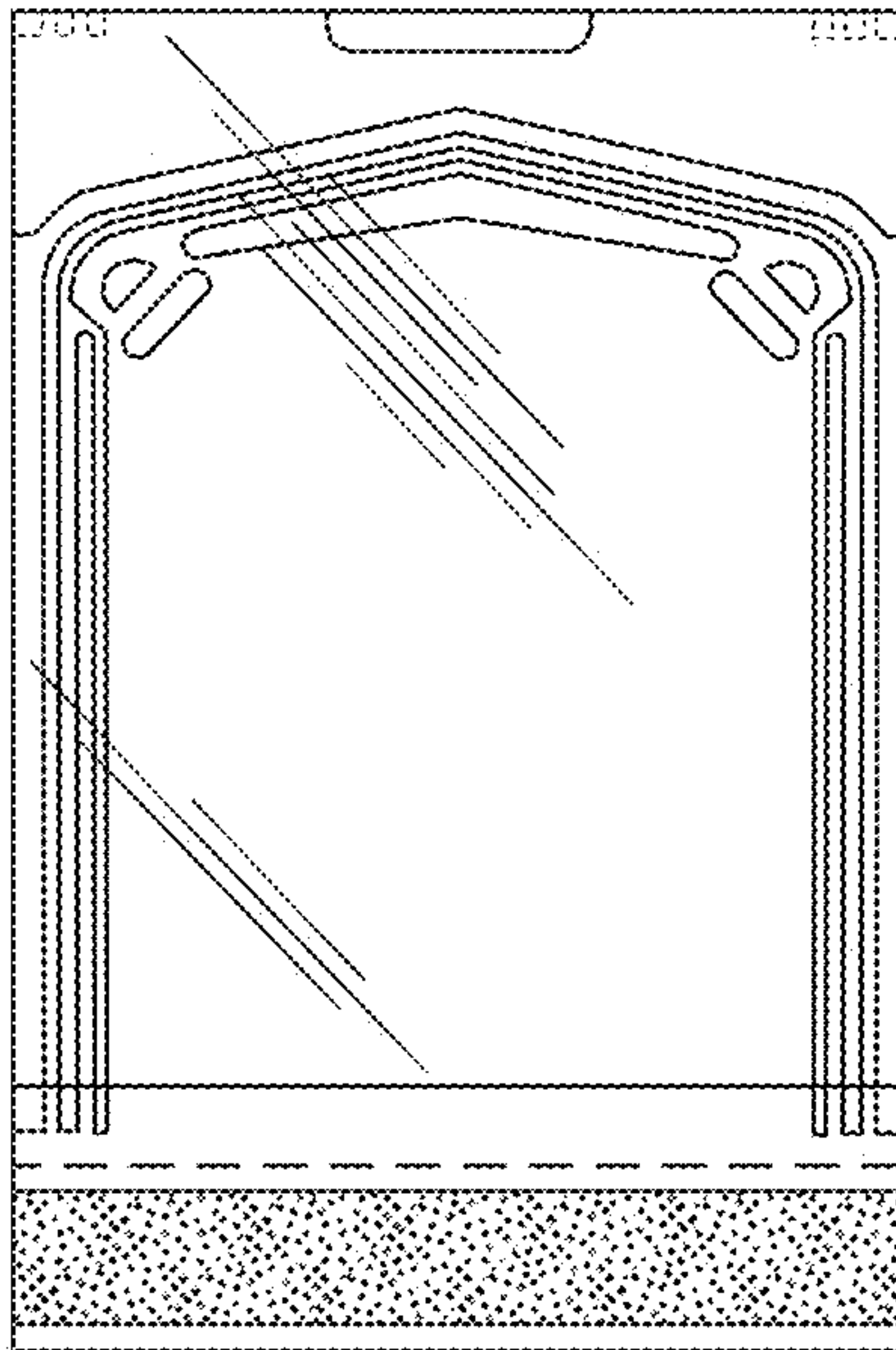


FIG.
4

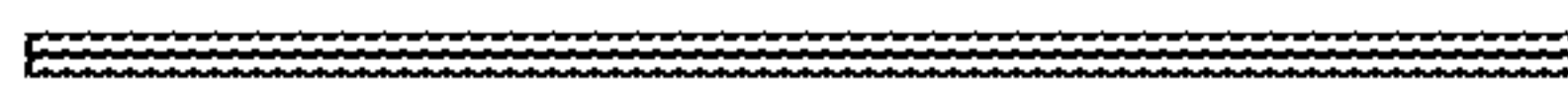




FIG.
6

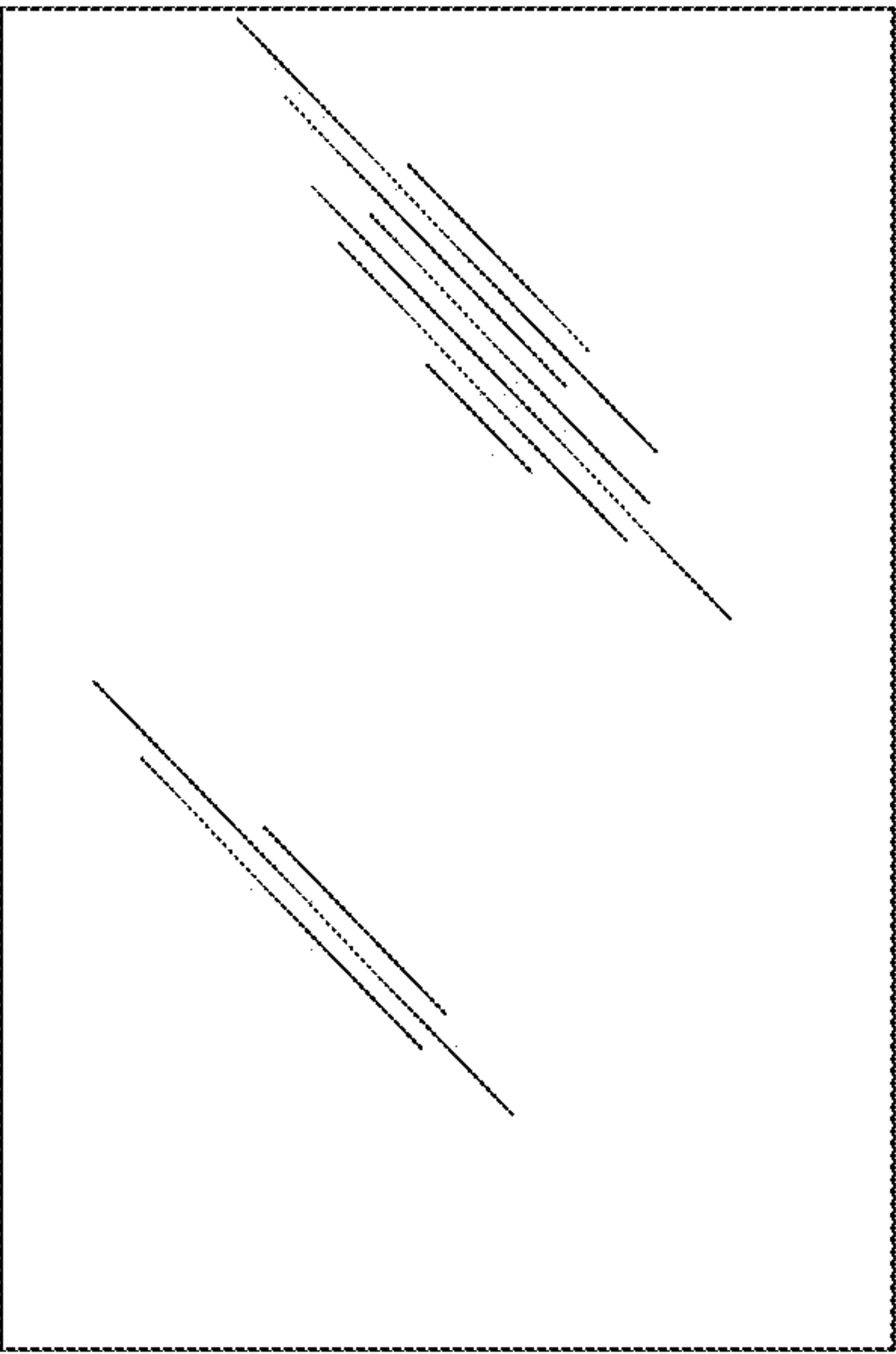


FIG.
5



FIG.
7

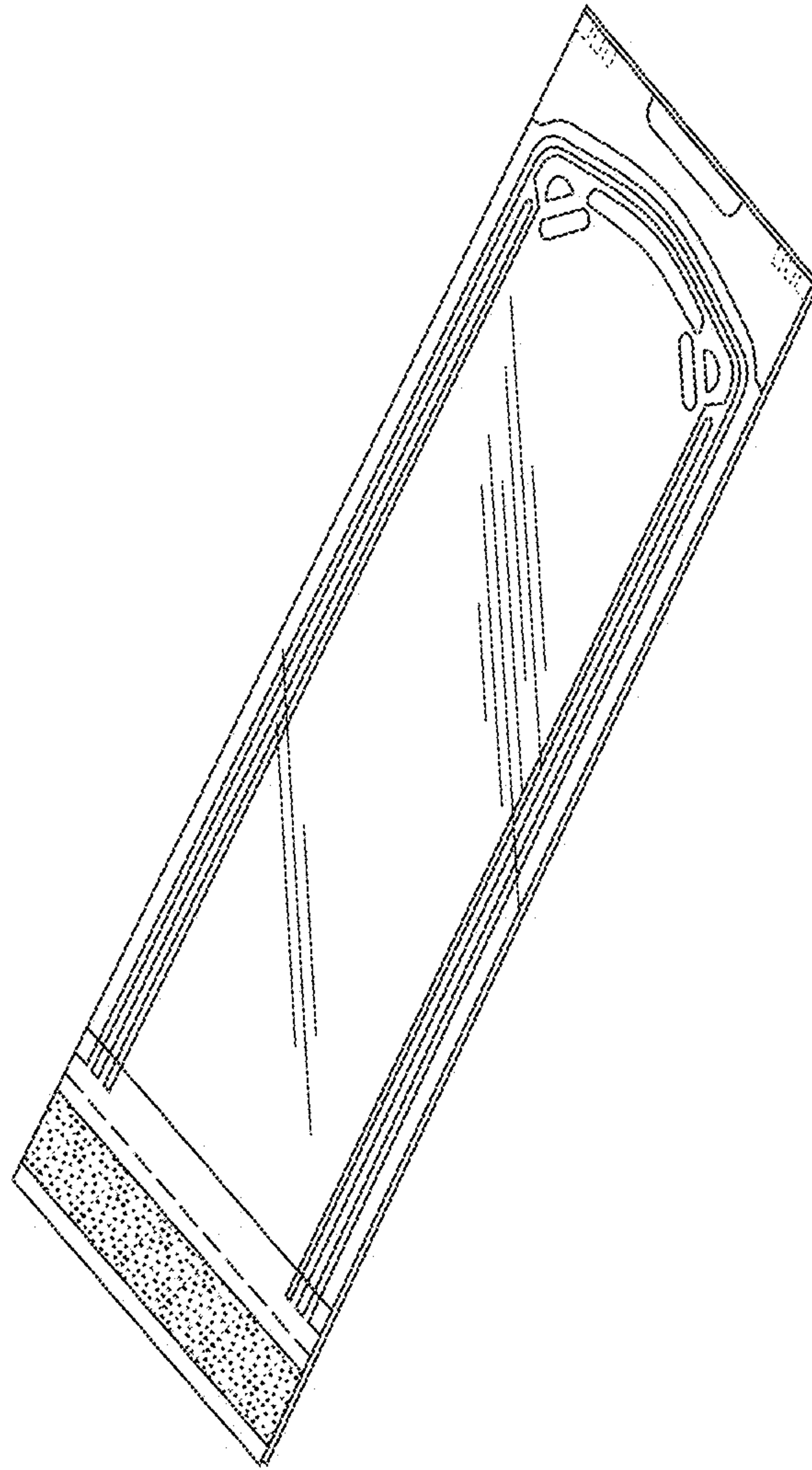
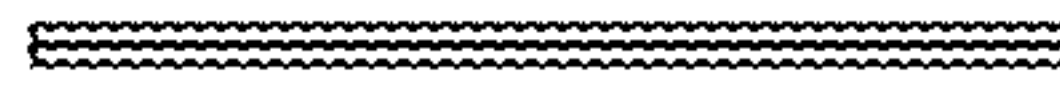
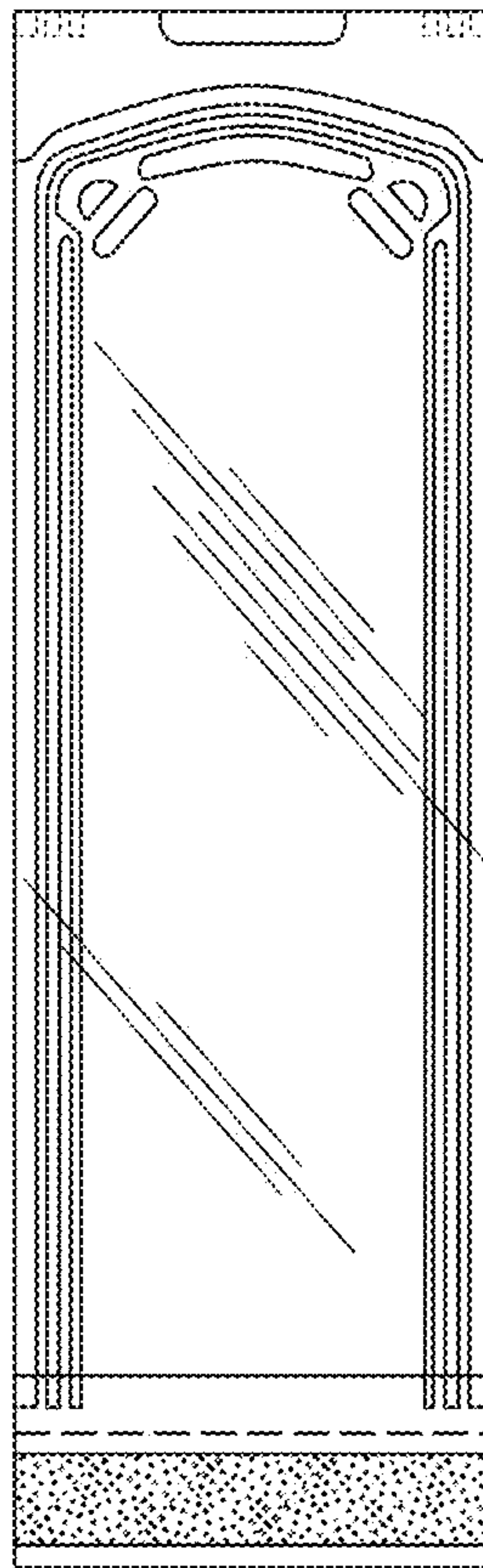


FIG.
8

**FIG.
10**



**FIG.
9**



**FIG.
11**

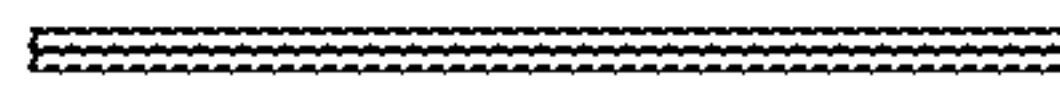




FIG.
13

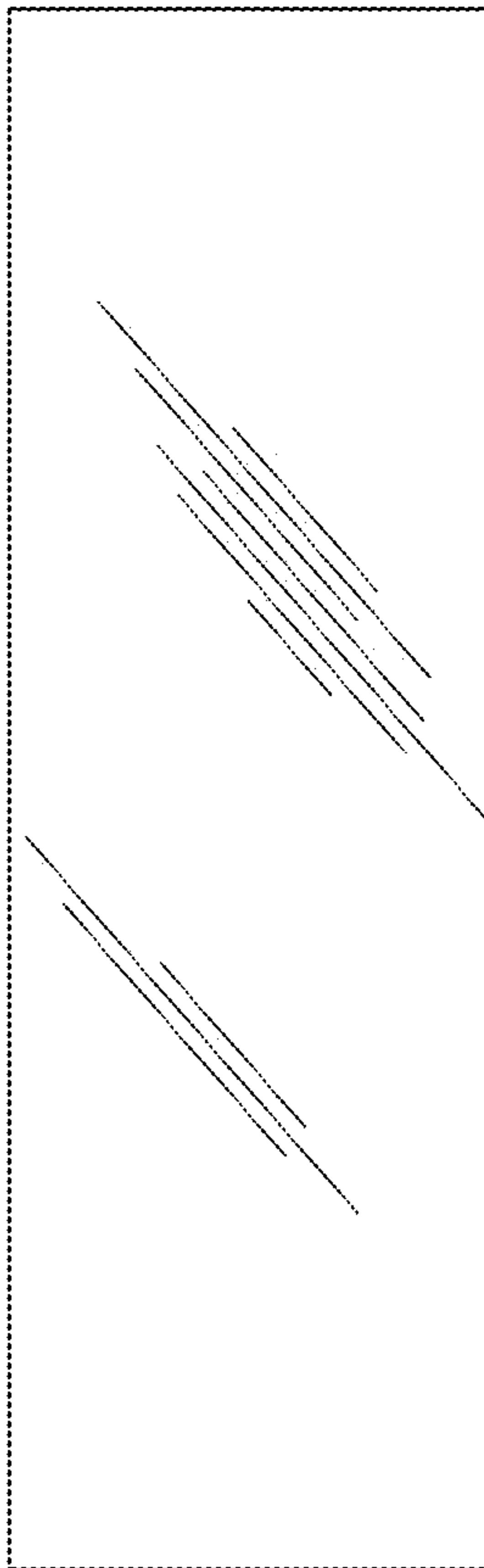


FIG.
12



FIG.
14

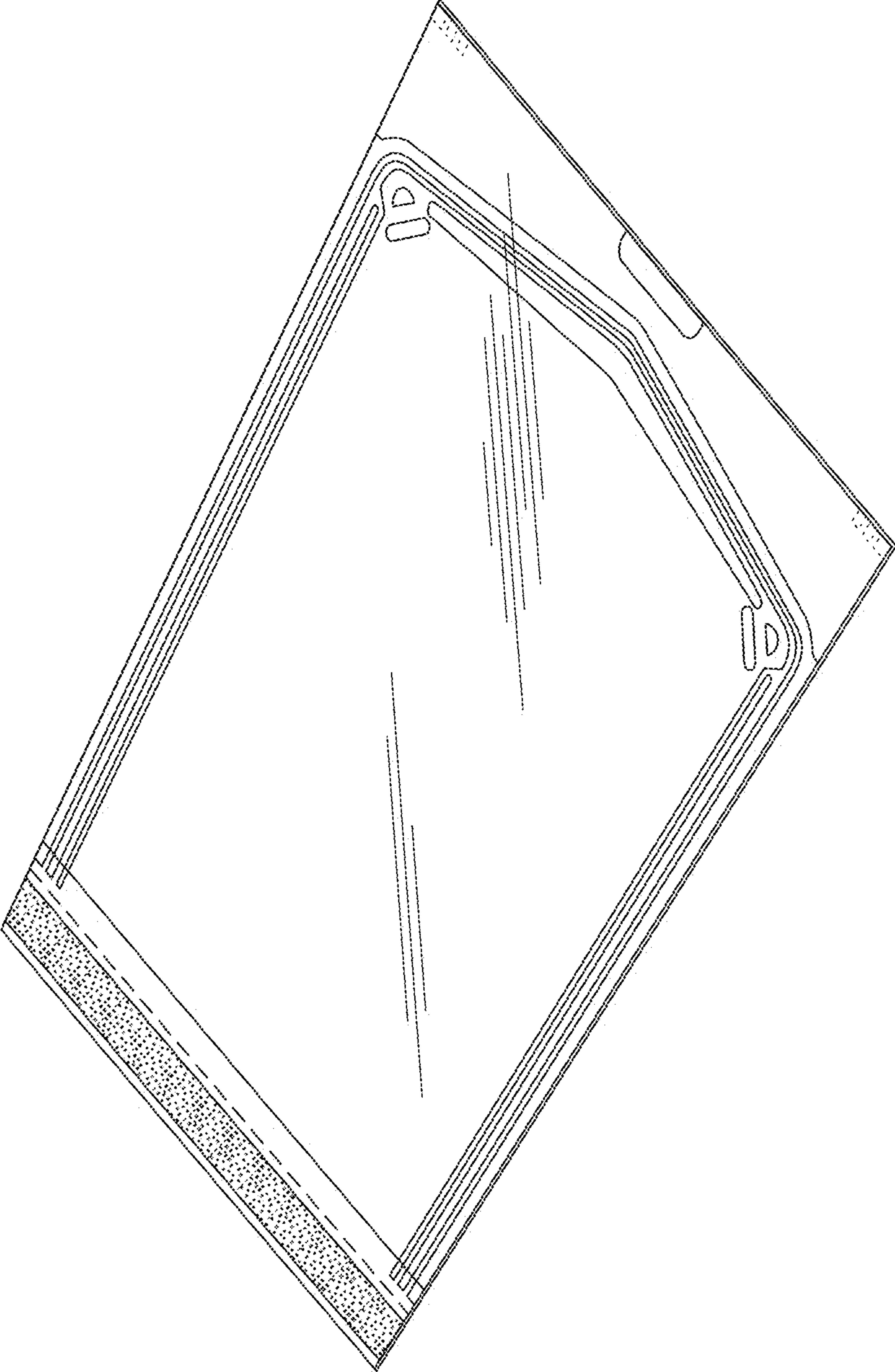
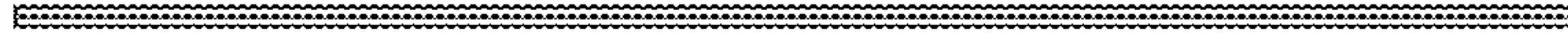
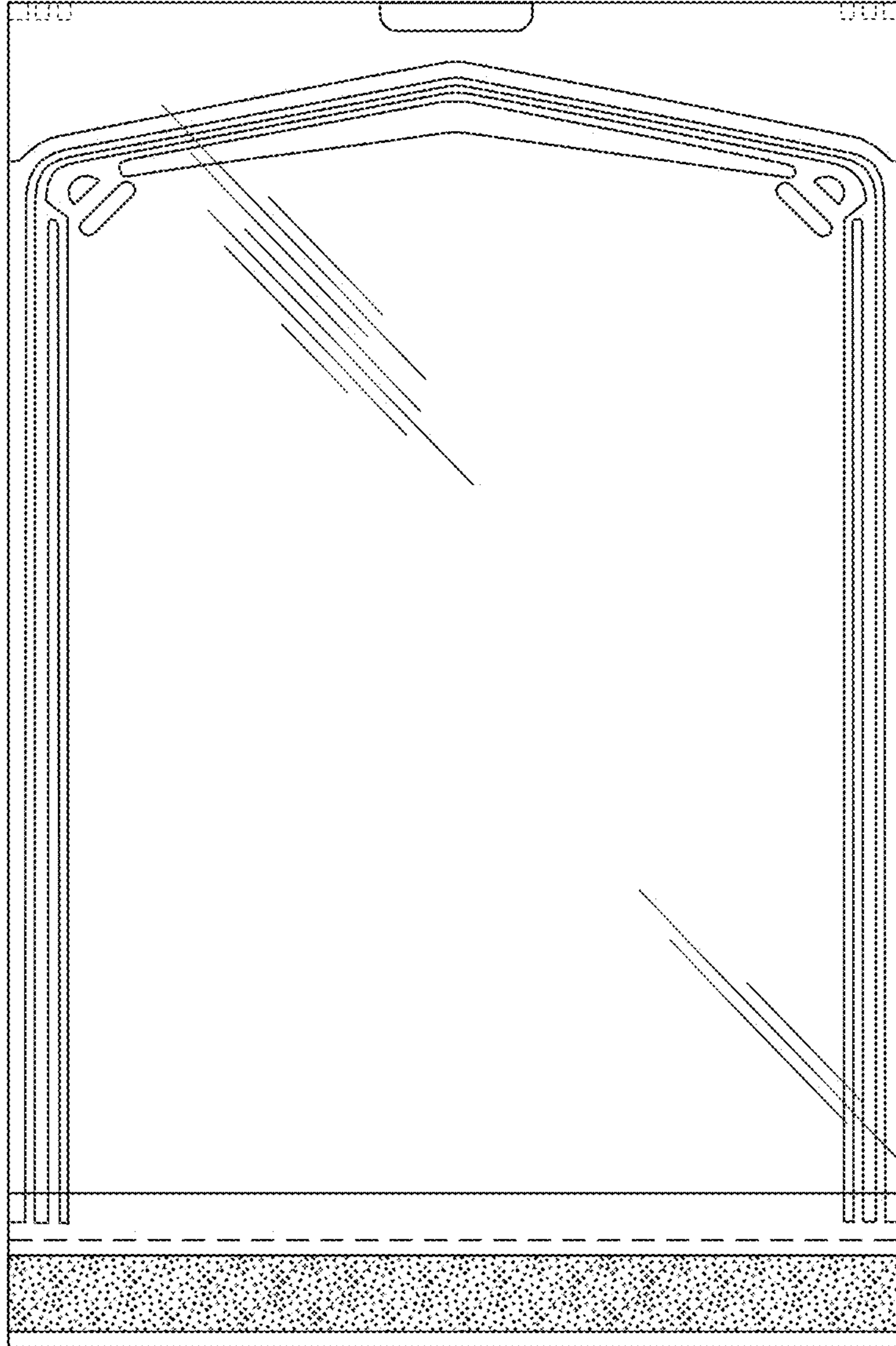


FIG.
15

**FIG.
17**



**FIG.
16**



**FIG.
18**



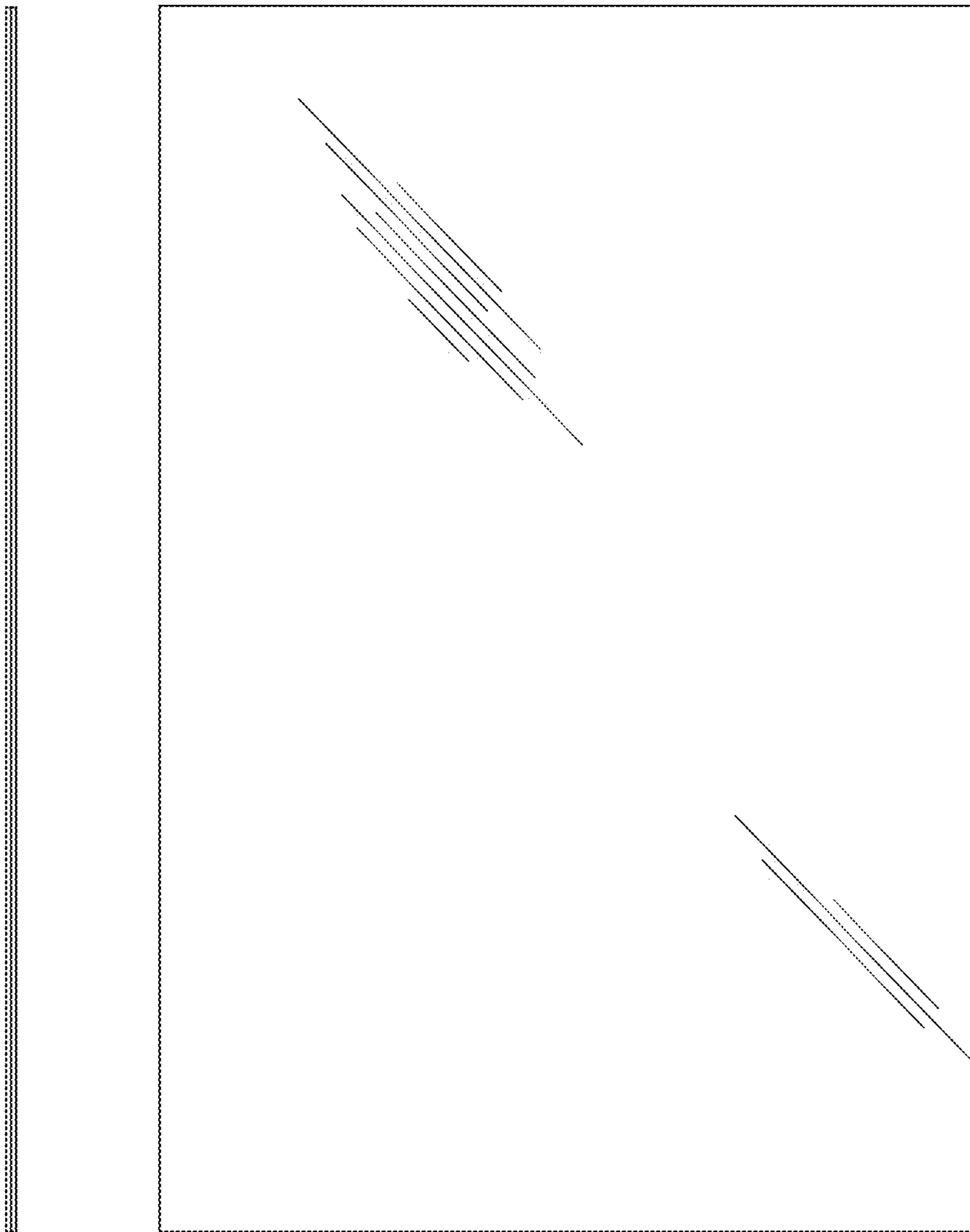


FIG.
20

FIG.
19

FIG.
21

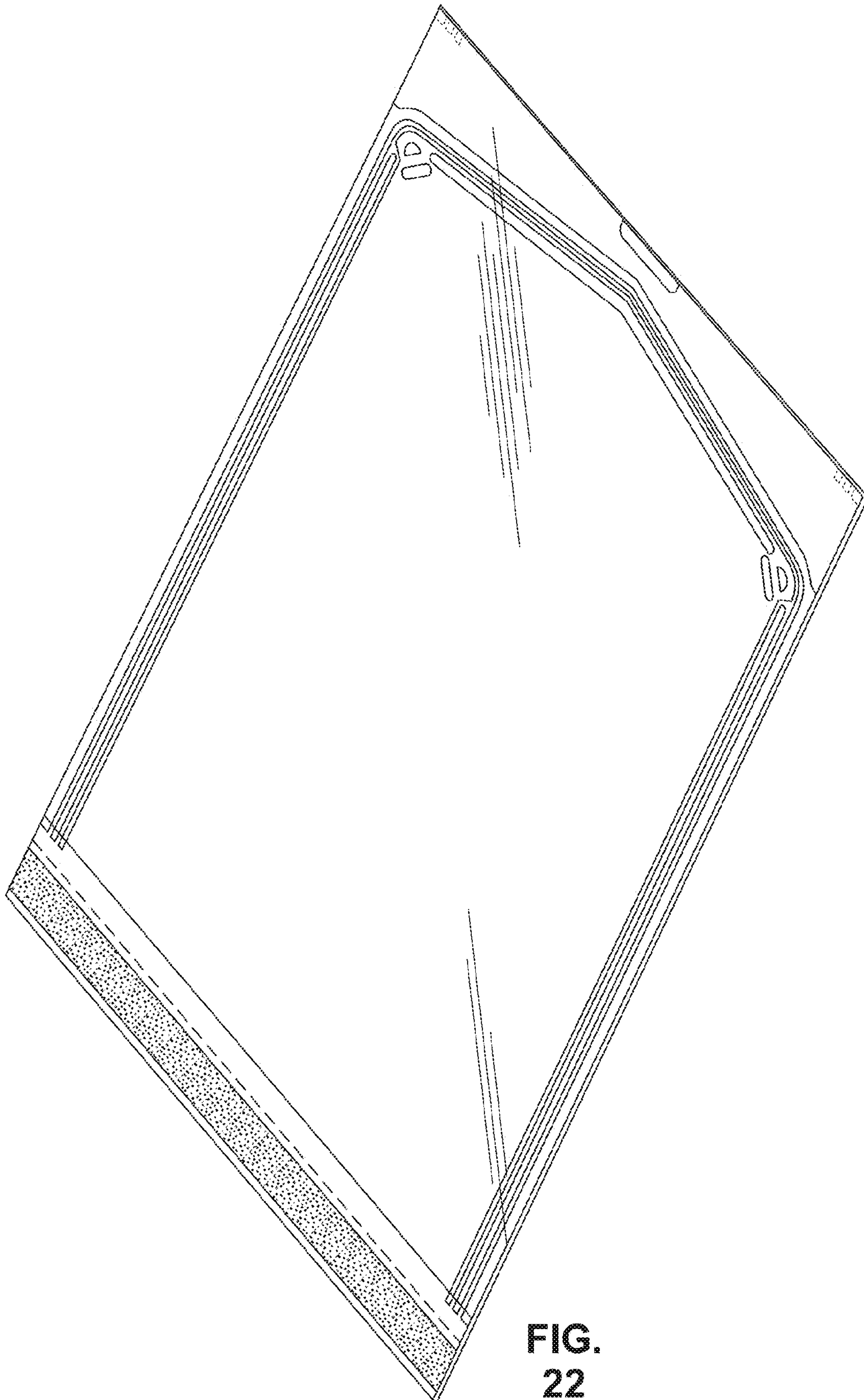
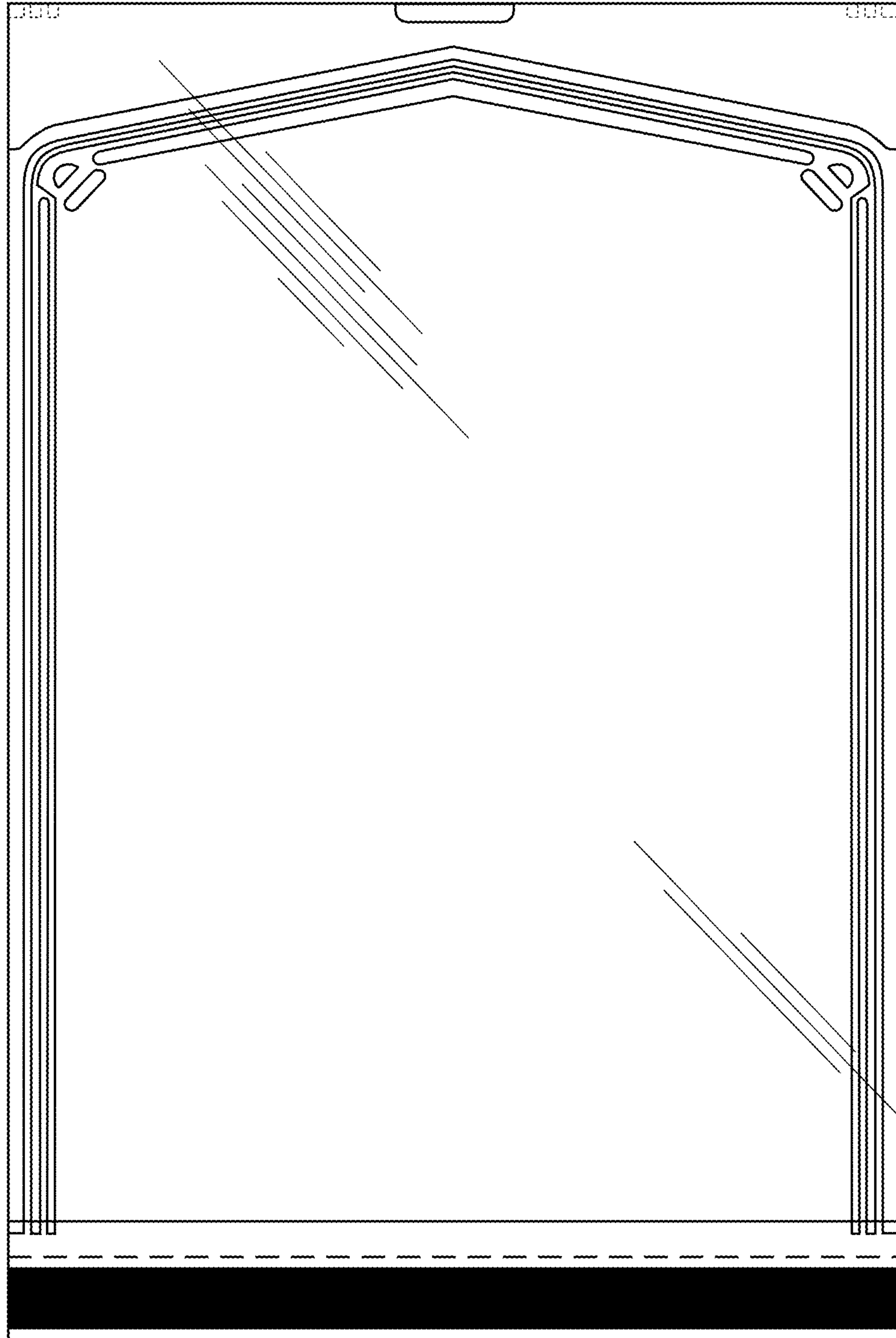


FIG.
22

**FIG.
24**



**FIG.
23**

**FIG.
25**



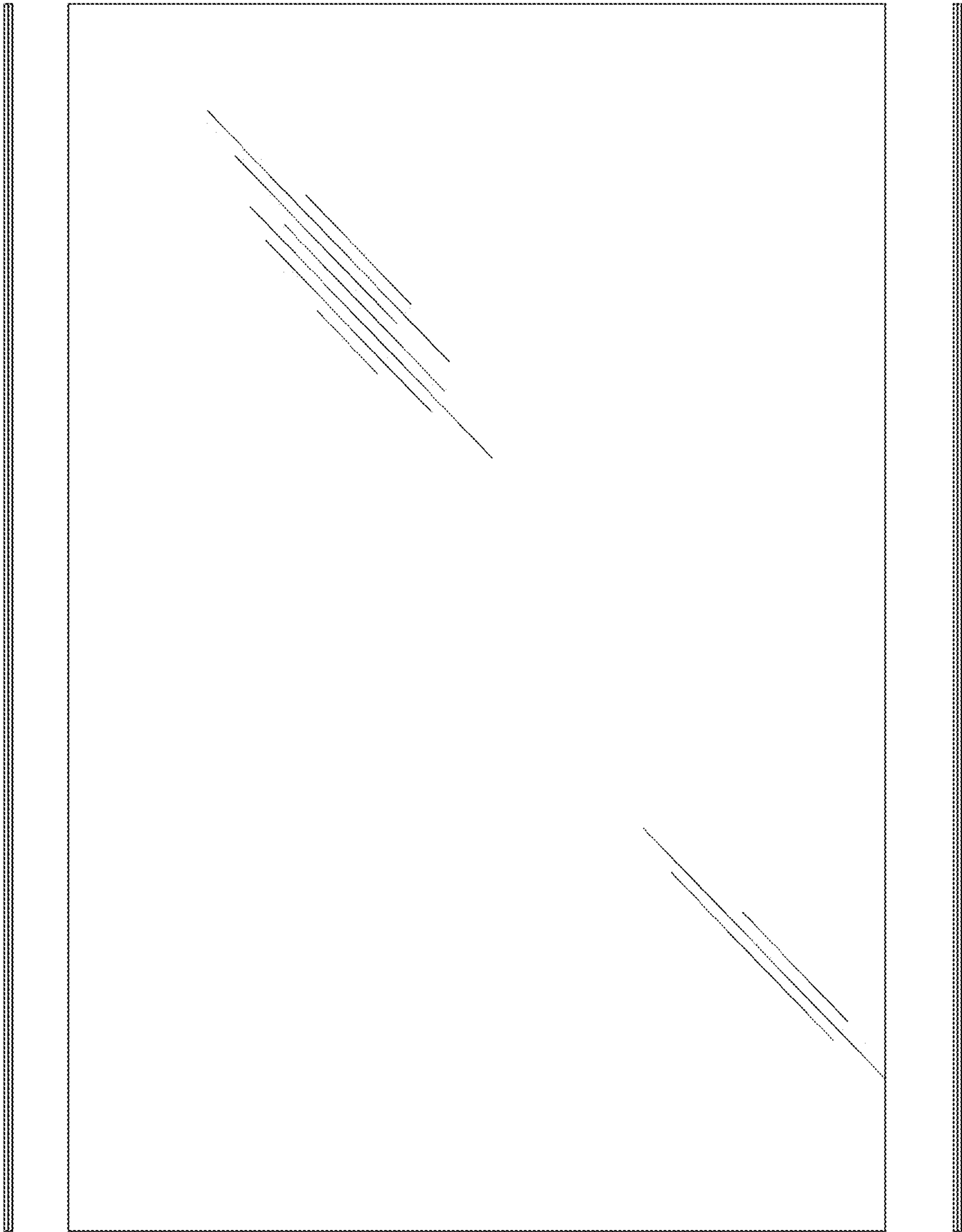


FIG.
27

FIG.
26

FIG.
28