



US00D895134S

(12) **United States Design Patent**
Qiu

(10) **Patent No.:** **US D895,134 S**
(45) **Date of Patent:** **** Sep. 1, 2020**

(54) **SEX TOY**
(71) Applicant: **Chongde Qiu**, Guangdong (CN)
(72) Inventor: **Chongde Qiu**, Guangdong (CN)
(**) Term: **15 Years**
(21) Appl. No.: **29/714,546**
(22) Filed: **Nov. 25, 2019**
(51) **LOC (12) Cl.** **28-03**
(52) **U.S. Cl.**
USPC **D24/215**
(58) **Field of Classification Search**
USPC 601/15, 18, 19, 46, 47, 48, 52, 99, 112,
601/113, 118, 125, 129, 134, 135, 137,
601/DIG. 12, DIG. 14, DIG. 15, DIG. 16,
601/DIG. 17; D24/133, 200, 211, 212,
D24/213, 214, 215, 216; 600/38, 39, 40,
600/41; 604/317, 347; 128/844
CPC A61H 19/44; A61H 19/32; A61H 19/40;
A61H 19/34; A61H 19/50; A61H 19/00;
A61F 5/41
See application file for complete search history.

D674,906 S * 1/2013 Matsuura D24/215
D674,907 S * 1/2013 Matsuura D24/215
D674,908 S * 1/2013 Matsuura D24/215
D674,909 S * 1/2013 Matsuura D24/215
D675,331 S * 1/2013 Matsuura D24/215
D700,349 S * 2/2014 Tai D24/215
D736,400 S * 8/2015 Matsuura D24/215
D736,401 S * 8/2015 Matsuura D24/215
9,649,218 B2 * 5/2017 Wu A61F 5/453
D789,549 S * 6/2017 Matsuura D24/214
D797,951 S * 9/2017 Miklavc D24/215

(Continued)

OTHER PUBLICATIONS

Amazon, "Premium Pocket Toy", Feb. 20, 2020. https://www.amazon.com/Premium-M-ast%C3%B9rbetion-Silicone-Masturabator-Underwear/dp/B0823Q5YB4/ref=sr_1_14?keywords=quan+jing&qid=1582232726&sr=8-14. Shown on p. 1. (Year: 2020).*

Primary Examiner — Cynthia Ramirez
Assistant Examiner — Michael A Maharajh
(74) *Attorney, Agent, or Firm* — ZANIP

(57) **CLAIM**

The ornamental design for a sex toy, as shown and described.

DESCRIPTION

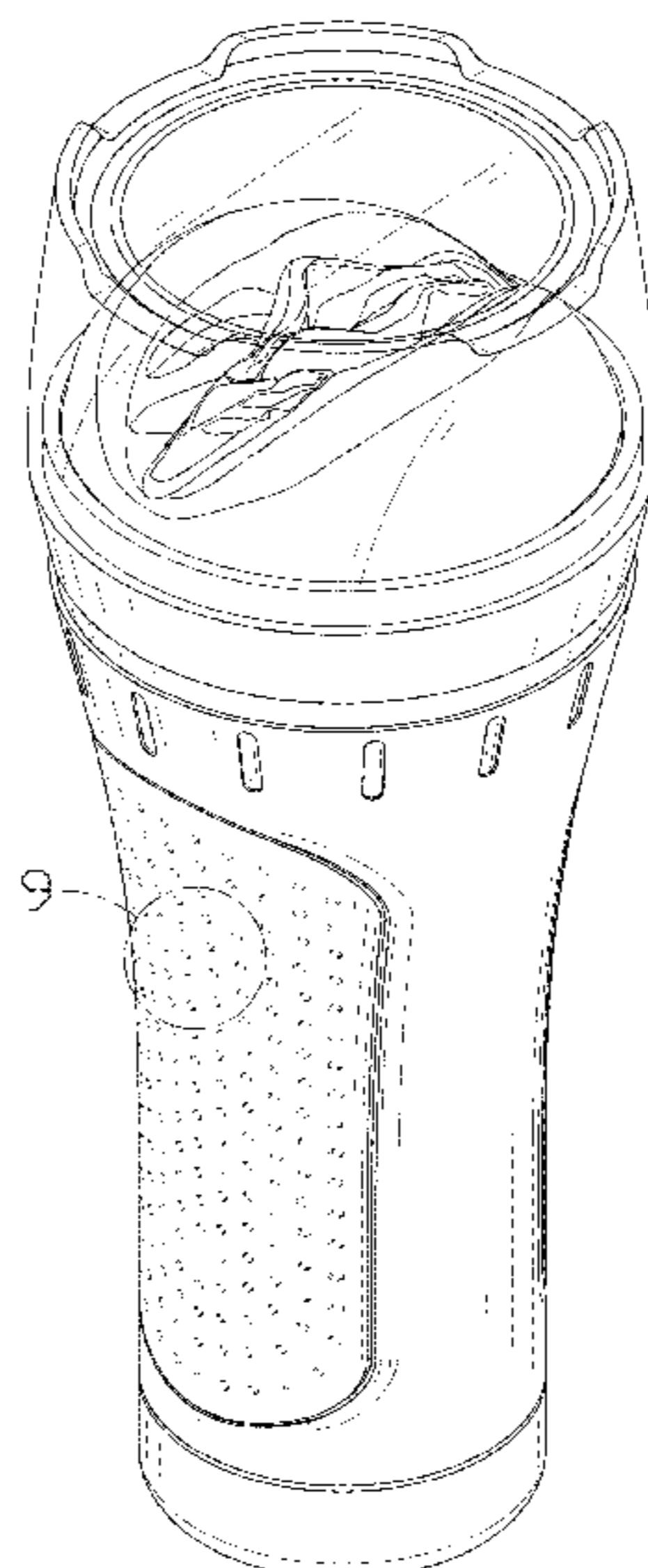
FIG. 1 is a front and top perspective view of a sex toy, showing my new design;
FIG. 2 is a rear and bottom perspective view thereof;
FIG. 3 is a front elevational view thereof;
FIG. 4 is a rear elevational view thereof;
FIG. 5 is a left side elevational view thereof;
FIG. 6 is a right side elevational view thereof;
FIG. 7 is a top plan view thereof;
FIG. 8 is a bottom plan view thereof; and,
FIG. 9 is an enlarged, view of a portion indicated in FIG. 1. The broken lines in the figures illustrate portions of the sex toy that form no part of the claimed design.

1 Claim, 9 Drawing Sheets

(56) **References Cited**

U.S. PATENT DOCUMENTS

D357,323 S * 4/1995 Leonard D24/214
5,454,379 A * 10/1995 Shepherd A61F 6/02
128/844
D368,140 S * 3/1996 Hopper D24/215
5,782,818 A * 7/1998 Shubin A61B 10/0058
600/38
6,027,444 A * 2/2000 Franck A61H 23/0254
310/36
6,113,532 A * 9/2000 Yap A61F 5/41
600/38
6,149,580 A * 11/2000 Dabney A61H 19/00
600/38
D560,813 S * 1/2008 Matsuura D24/216
D652,945 S 1/2012 Chen



(56)

References Cited

U.S. PATENT DOCUMENTS

D810,955 S * 2/2018 Miklavc D24/215
D837,996 S * 1/2019 Sugimoto D24/215
D870,308 S * 12/2019 Samarasinha D24/215
2003/0199734 A1 * 10/2003 Anderson A61F 5/41
600/38
2008/0004577 A1 * 1/2008 Matsuura A61B 10/0058
604/317
2009/0024063 A1 * 1/2009 Kalvatanond A61N 5/0613
601/15
2010/0174257 A1 * 7/2010 Matsuura A61B 10/0058
604/347
2010/0268021 A1 * 10/2010 Standfest A61H 19/34
600/38
2011/0270032 A1 * 11/2011 Smith A61F 5/41
600/38
2012/0232335 A1 * 9/2012 Eisenberg A61H 19/32
600/38
2014/0275758 A1 * 9/2014 Shubin, Sr. A61H 19/32
600/38
2015/0148718 A1 * 5/2015 Eigler A61H 15/0085
601/46
2015/0164683 A1 * 6/2015 Gallant A61F 6/04
128/844
2016/0136035 A1 * 5/2016 Abramovitz A61H 19/32
601/136
2017/0071818 A1 * 3/2017 Chen A61H 19/44
2017/0231801 A1 * 8/2017 Matsuura A61B 10/0058
600/38
2018/0092798 A1 * 4/2018 Shao A61H 19/32
2020/0046599 A1 * 2/2020 Sedic A61H 19/32

* cited by examiner

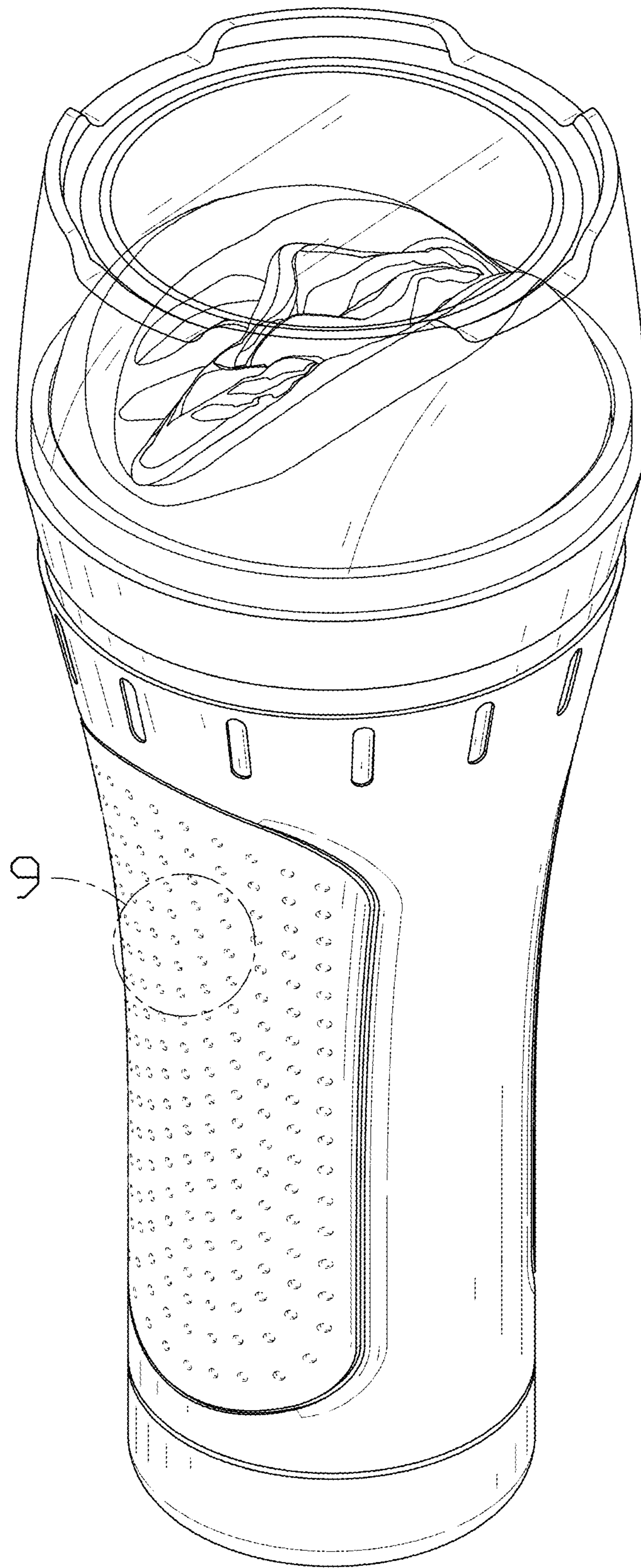


FIG. 1

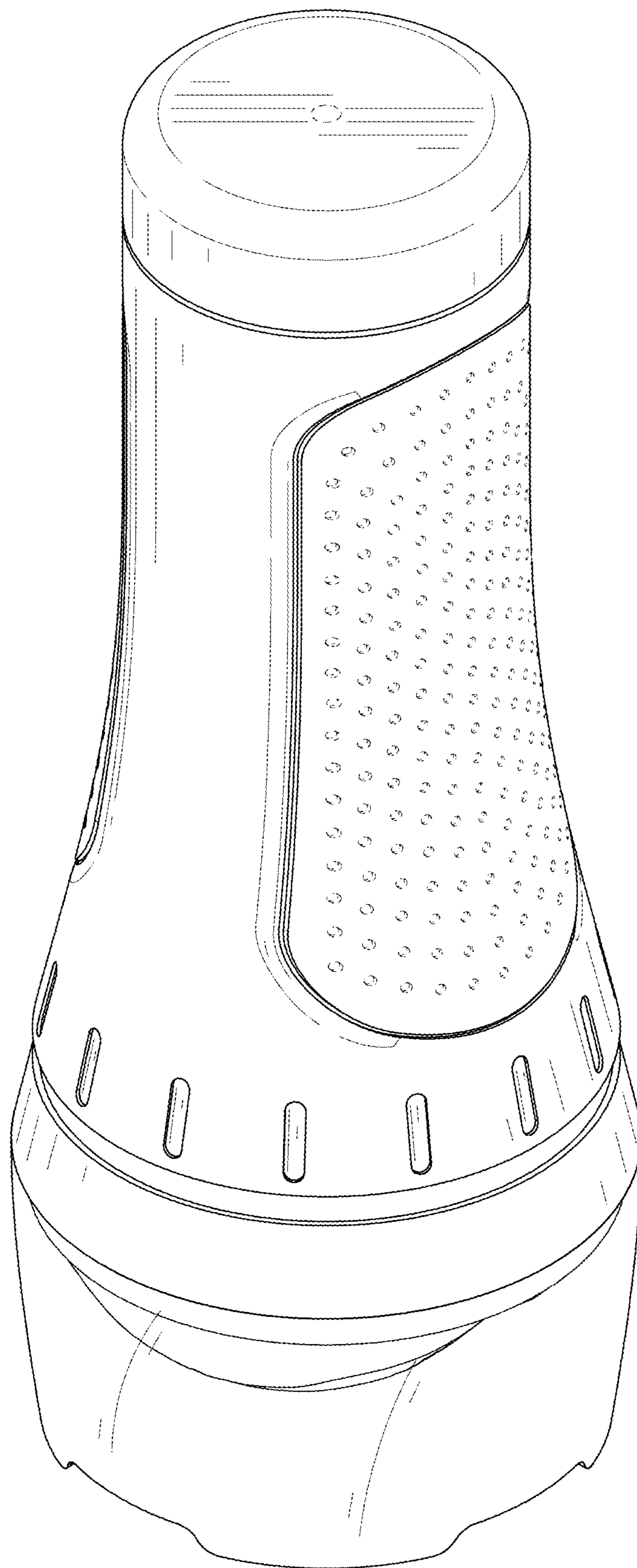


FIG. 2

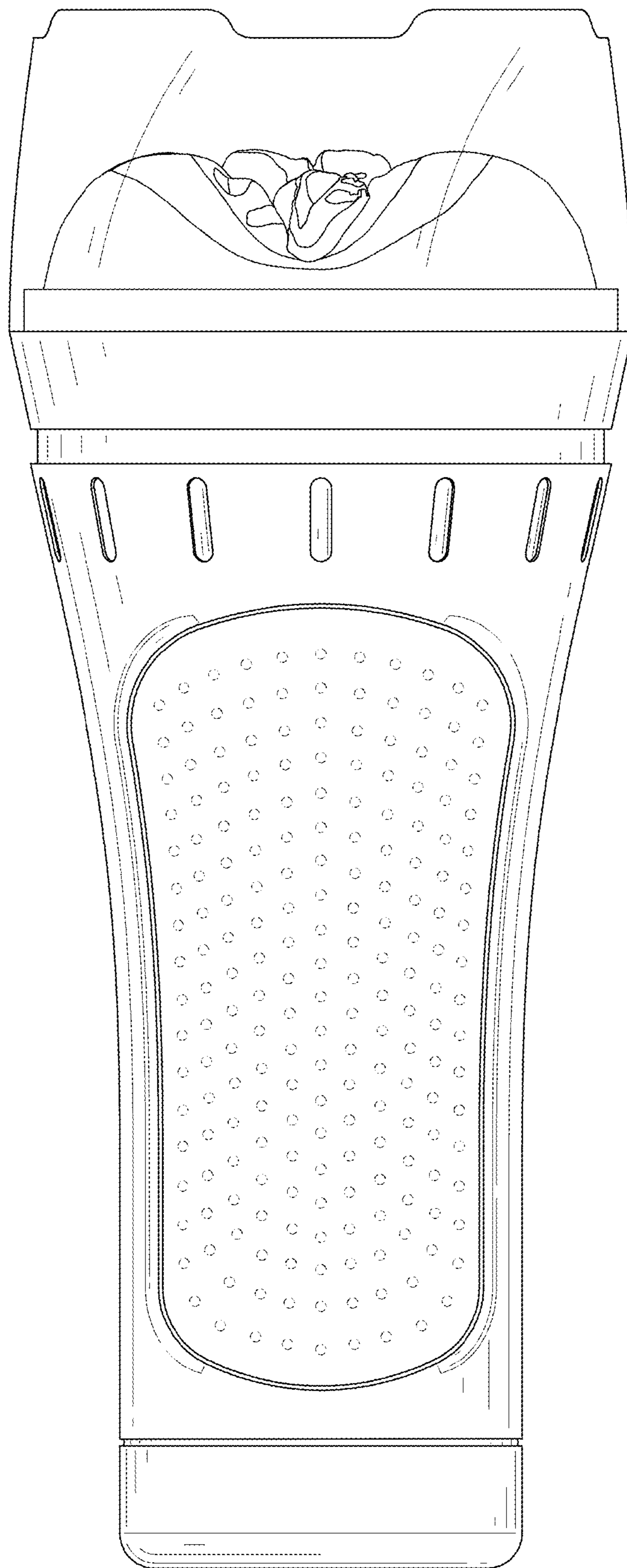


FIG. 3

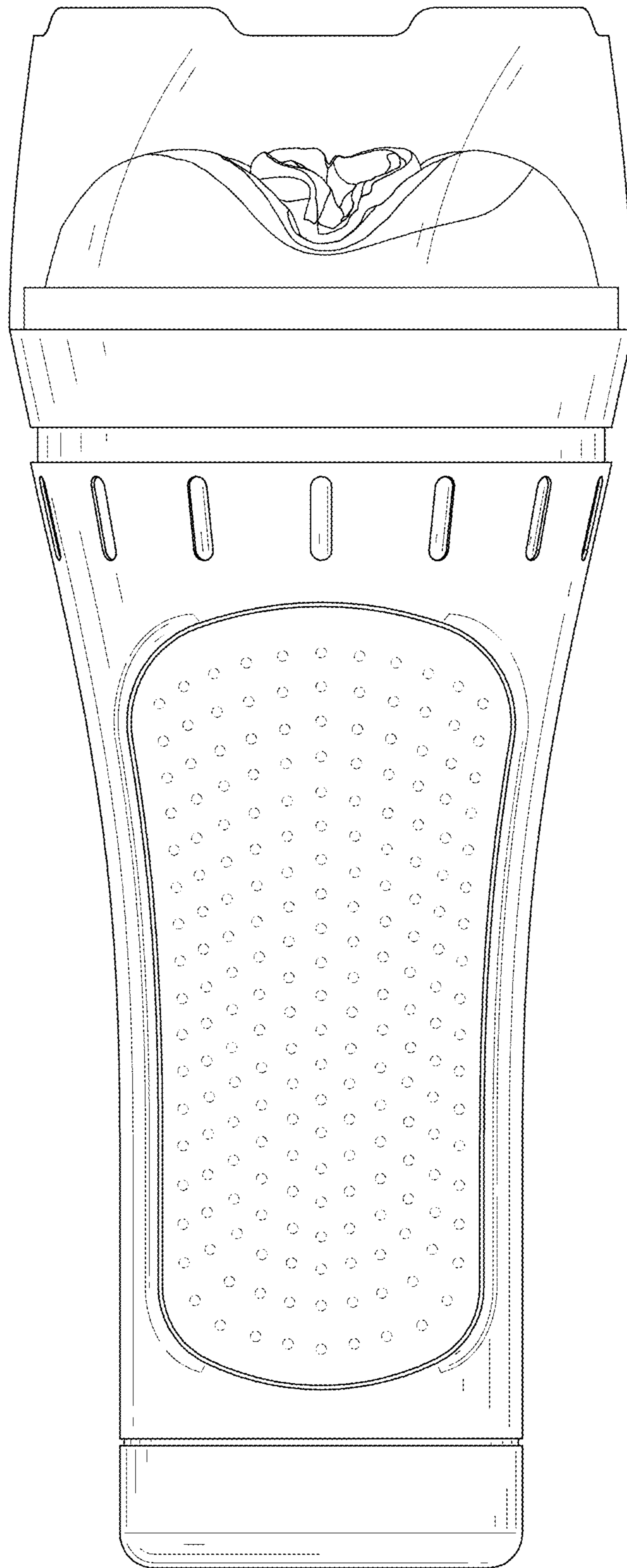


FIG. 4

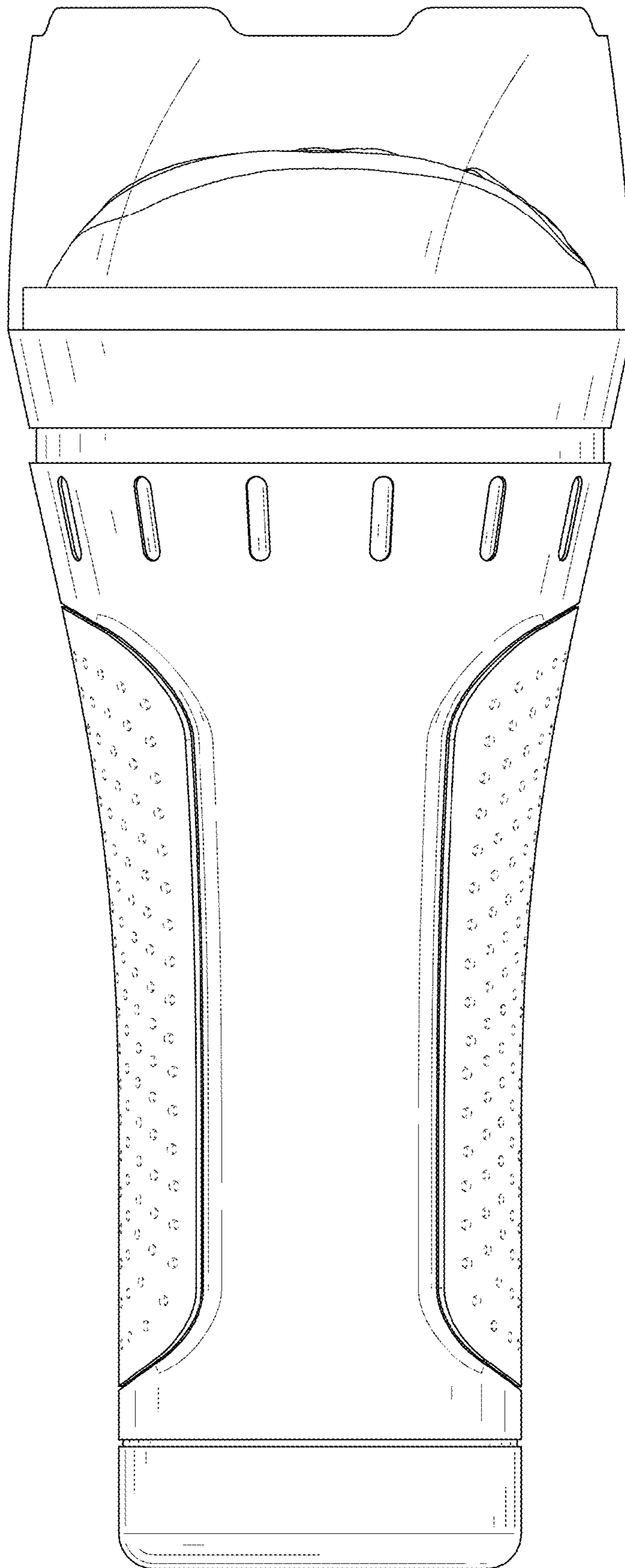


FIG. 5

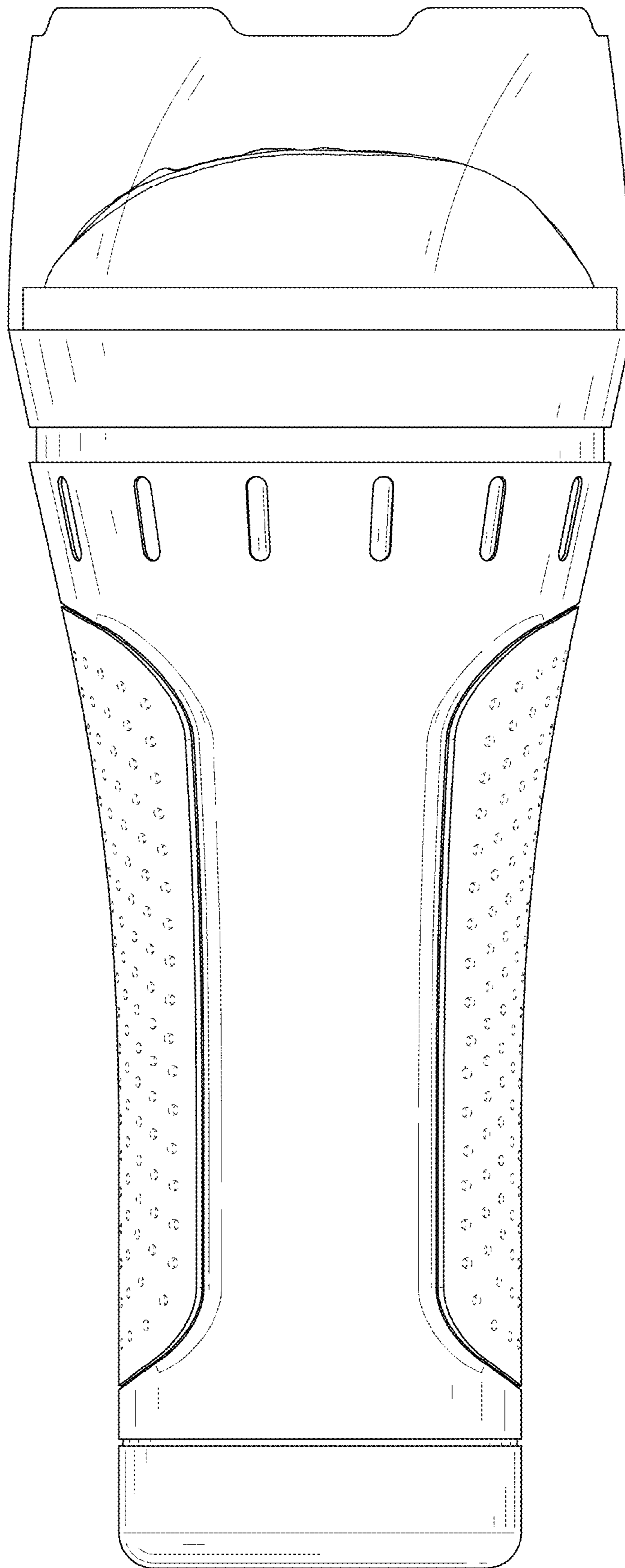


FIG. 6

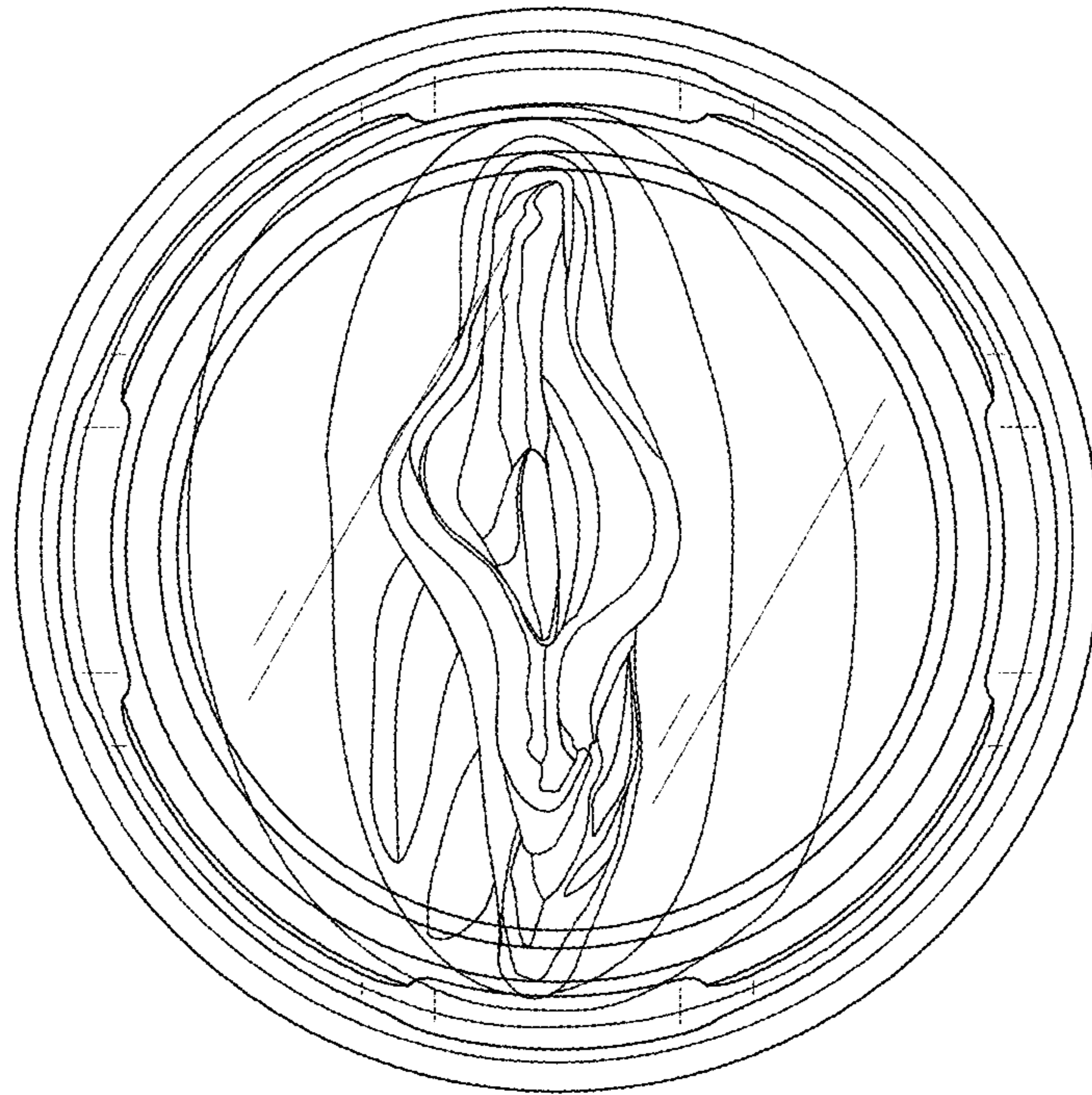


FIG. 7

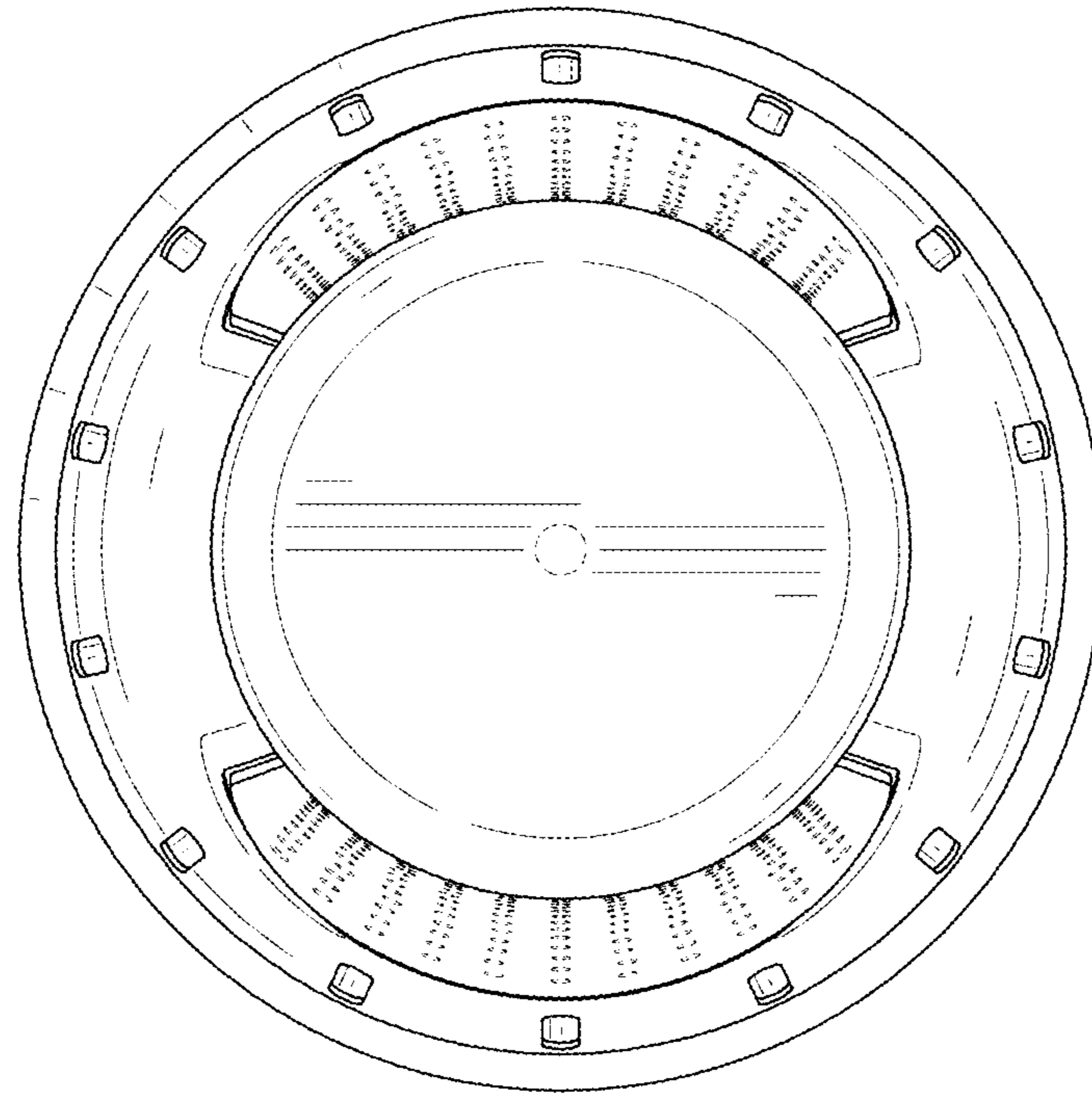


FIG. 8

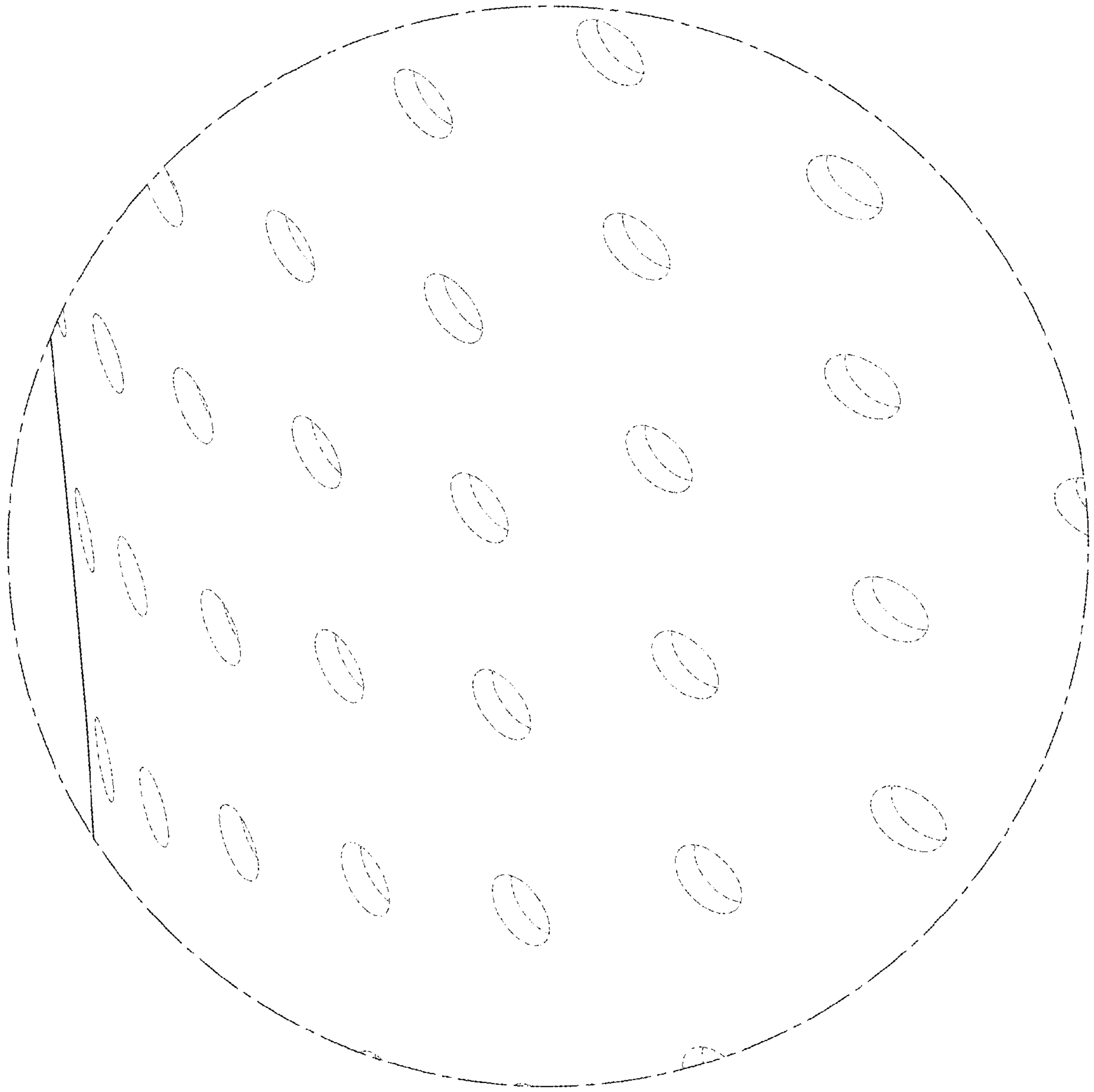


FIG. 9