



US00D895133S

(12) **United States Design Patent** (10) **Patent No.:** **US D895,133 S**  
**Xu** (45) **Date of Patent:** **\*\* Sep. 1, 2020**

(54) **DEEP TISSUE MASSAGER**  
(71) Applicant: **YONG KANG AIJIU INDUSTRIAL & TRADE CO., LTD**, Yongkang, Zhejiang (CN)  
(72) Inventor: **Lijun Xu**, Zhejiang (CN)  
(73) Assignee: **YONG KANG AIJIU INDUSTRIAL & TRADE CO., LTD**, Yongkang (CN)

(\*\*) Term: **15 Years**  
(21) Appl. No.: **29/701,032**  
(22) Filed: **Aug. 7, 2019**

(30) **Foreign Application Priority Data**  
Jul. 4, 2019 (CN) ..... 2019 3 0354093  
(51) **LOC (12) Cl.** ..... **28-03**  
(52) **U.S. Cl.**  
USPC ..... **D24/215**  
(58) **Field of Classification Search**  
USPC ..... D24/200, 211, 212, 213, 214, 215;  
D8/14.1  
CPC ..... A61H 23/004; A61H 7/001; A61H 7/003;  
A61H 7/007  
See application file for complete search history.

(56) **References Cited**  
U.S. PATENT DOCUMENTS  
D412,432 S \* 8/1999 Bokros ..... D8/14.1  
D526,417 S \* 8/2006 Masuda ..... D24/214  
D531,733 S \* 11/2006 Burout, III ..... D24/215  
D840,547 S \* 2/2019 Harle ..... D24/214  
D847,364 S \* 4/2019 Lee ..... D24/215  
10,314,762 B1 \* 6/2019 Marton ..... A61H 23/006  
D855,822 S \* 8/2019 Marton ..... D24/215  
D872,869 S \* 1/2020 Lu ..... D24/215  
D873,432 S \* 1/2020 Duan ..... D24/214  
D874,015 S \* 1/2020 Marton ..... D24/215

D875,961 S \* 2/2020 Li ..... D24/211  
D879,985 S \* 3/2020 Wersland ..... D24/214  
D879,986 S \* 3/2020 Wersland ..... D24/214  
D880,714 S \* 4/2020 Wersland ..... D24/215  
D884,205 S \* 5/2020 Zhuang ..... D24/215  
D884,207 S \* 5/2020 Ma ..... D24/215  
D885,601 S \* 5/2020 Wersland ..... D24/215  
D886,317 S \* 6/2020 Marton ..... D24/215  
D887,573 S \* 6/2020 Wersland ..... D24/215  
2010/0274162 A1 10/2010 Evans

**OTHER PUBLICATIONS**

Amazon, "Massage Gun", Mar. 25, 2020. [https://www.amazon.com/Percussion-Massager%EF%BC%8C-Massager-Relief%EF%BC%8CHandheld-Electric/dp/B085BN3RR6/ref=cm\\_cr\\_arp\\_d\\_product\\_top?ie=UTF8](https://www.amazon.com/Percussion-Massager%EF%BC%8C-Massager-Relief%EF%BC%8CHandheld-Electric/dp/B085BN3RR6/ref=cm_cr_arp_d_product_top?ie=UTF8). Shown on p. 1. (Year: 2020).\*

\* cited by examiner

*Primary Examiner* — Cynthia Ramirez  
*Assistant Examiner* — Michael A Maharajh

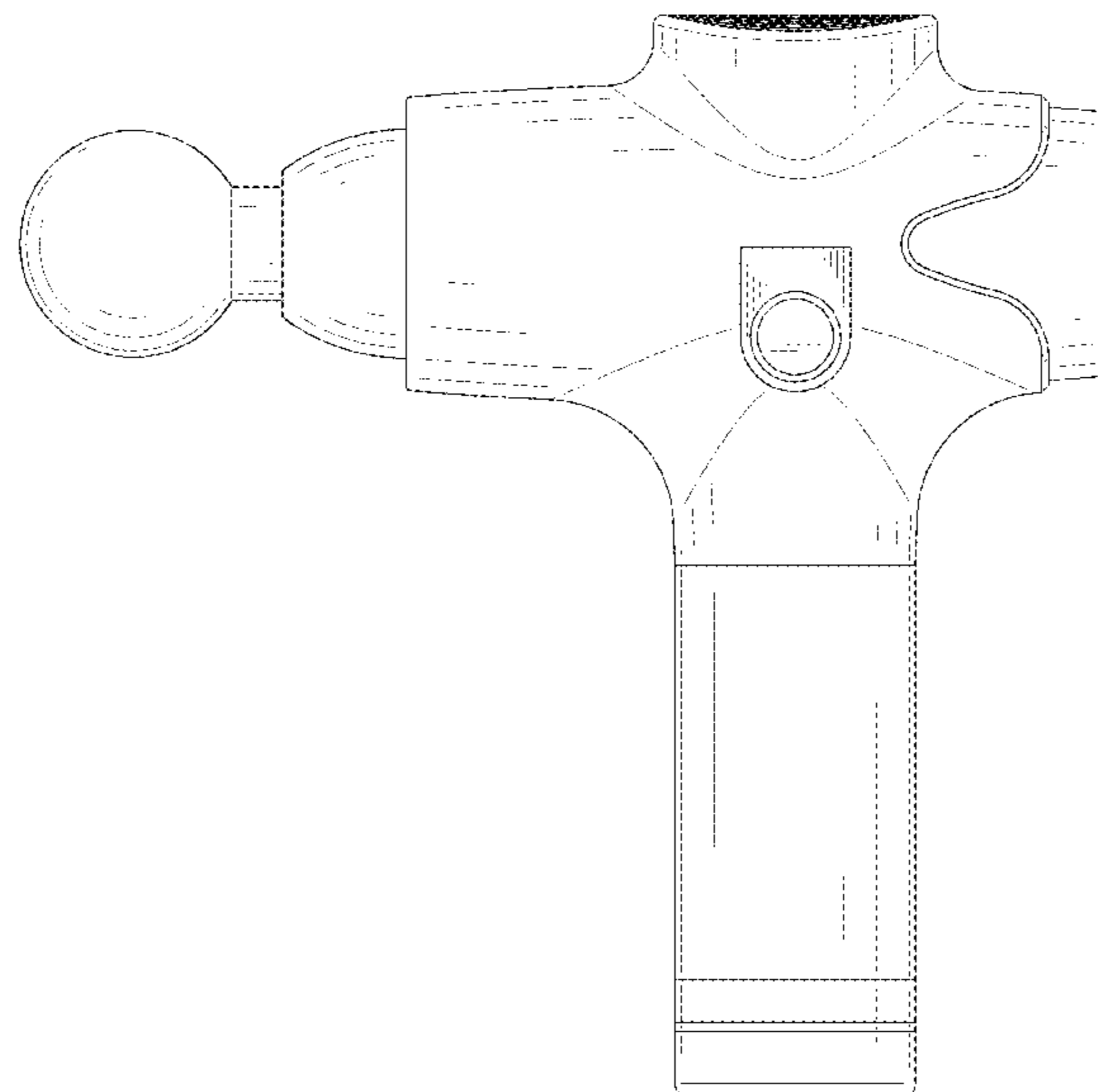
(57) **CLAIM**

The ornamental design for a deep tissue massager, as shown and described.

**DESCRIPTION**

FIG. 1 is a front elevational view of a deep tissue massager showing my new design;  
FIG. 2 is a rear elevational view thereof;  
FIG. 3 is a left side view thereof;  
FIG. 4 is a right side view thereof;  
FIG. 5 is a top plan view thereof;  
FIG. 6 is a bottom plan view thereof;  
FIG. 7 is a top, front and left side perspective view thereof;  
FIG. 8 is a top, rear and right side perspective view thereof;  
FIG. 9 is a bottom, rear and left side perspective view thereof; and,  
FIG. 10 is an enlarged view of portion 10 in FIG. 2.

**1 Claim, 10 Drawing Sheets**



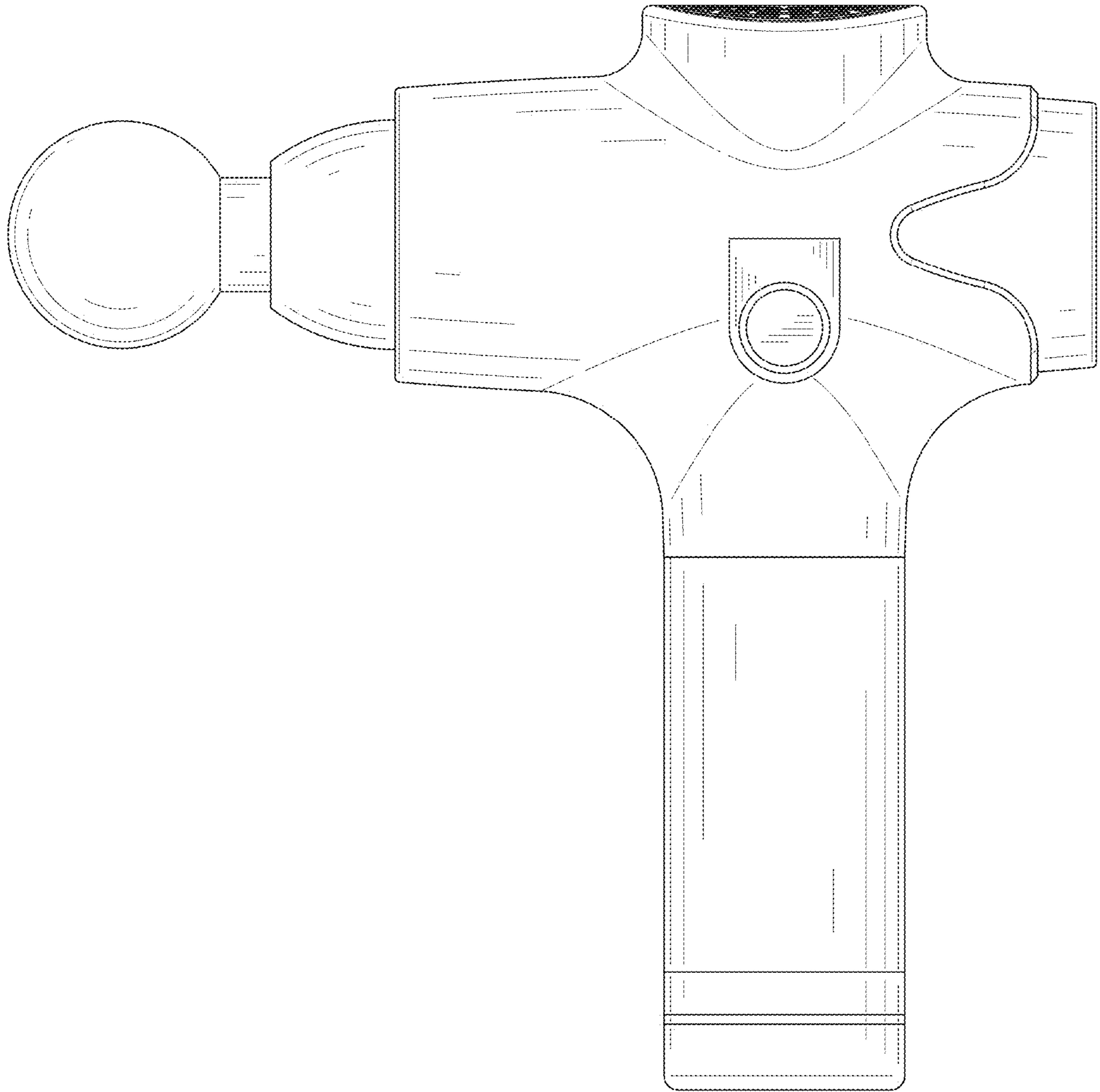


FIG. 1

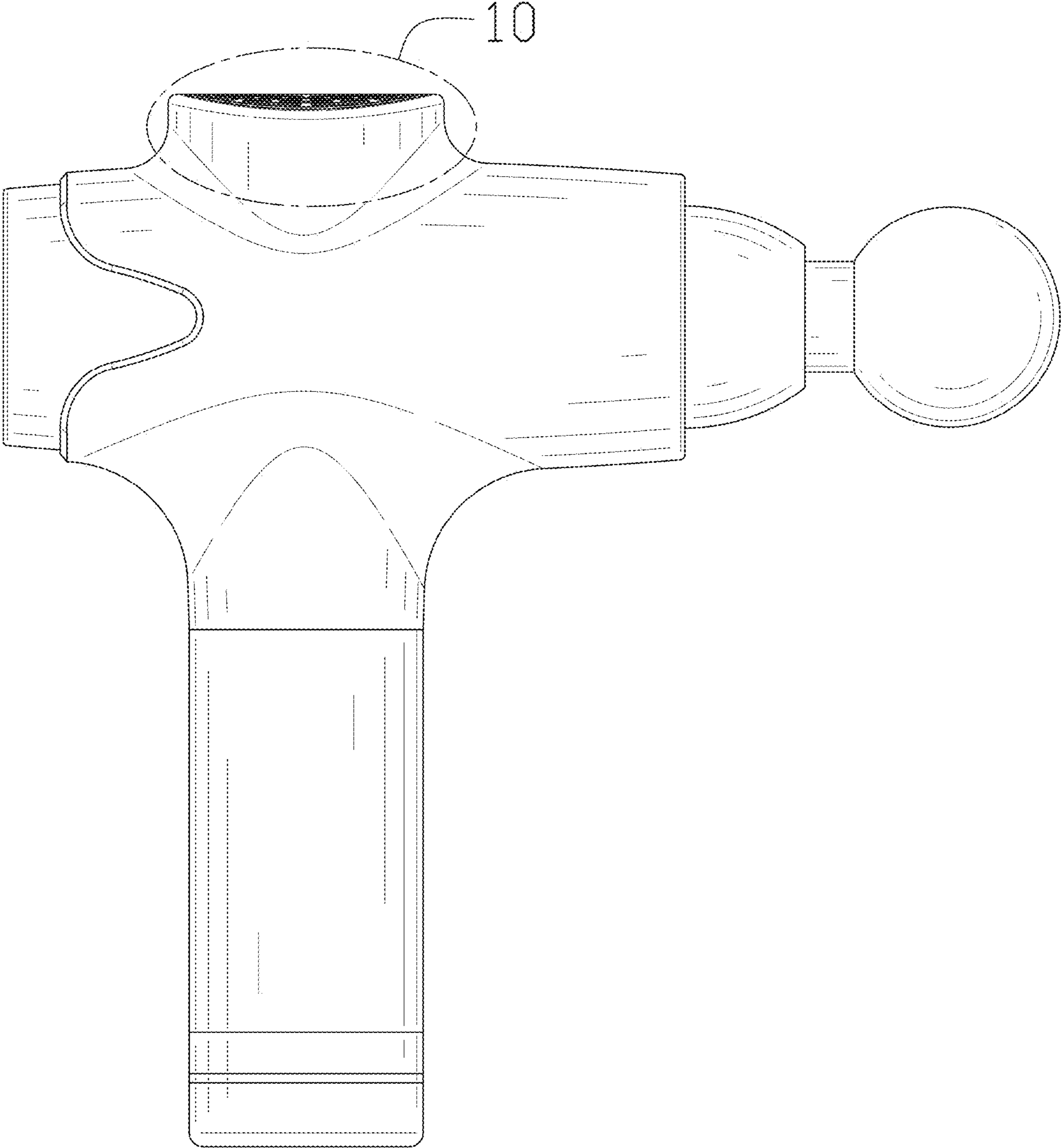


FIG. 2

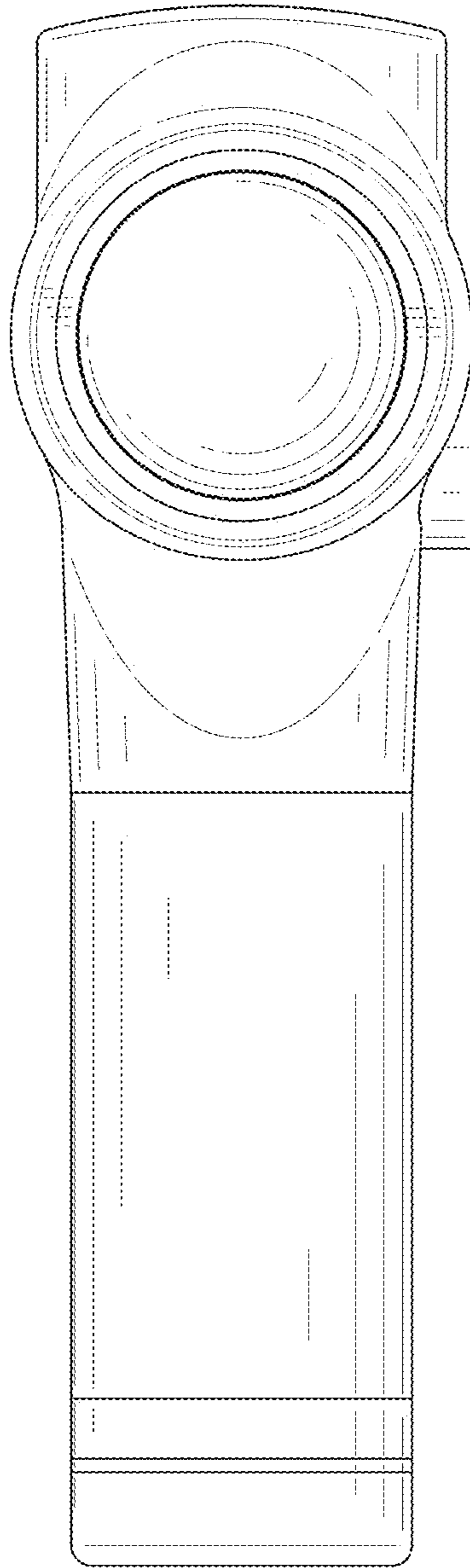


FIG. 3

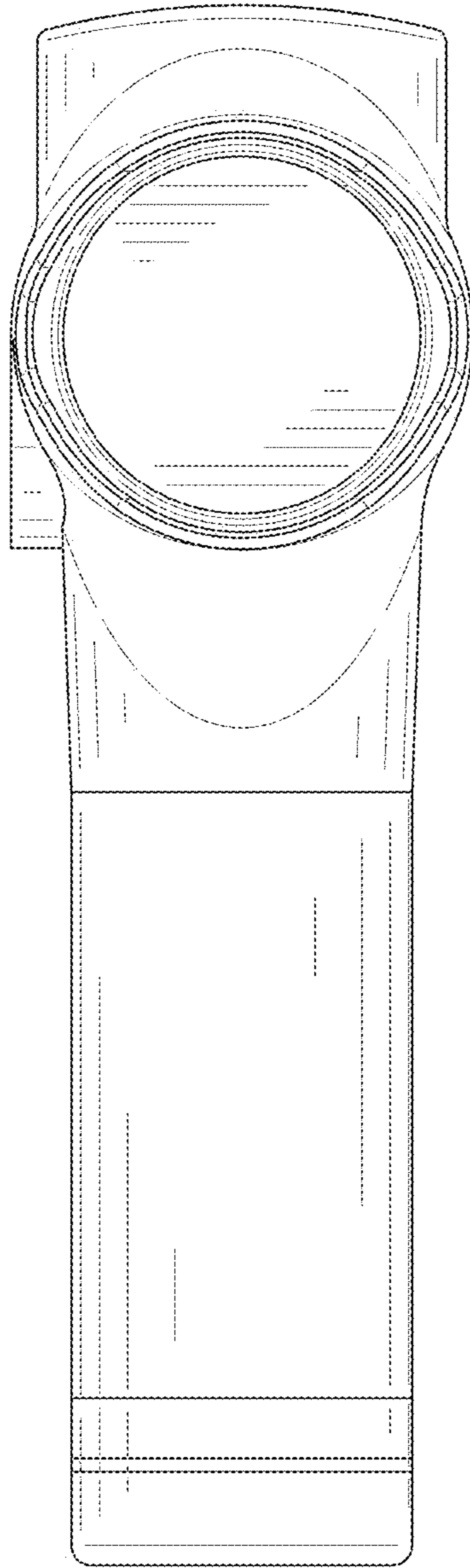


FIG. 4

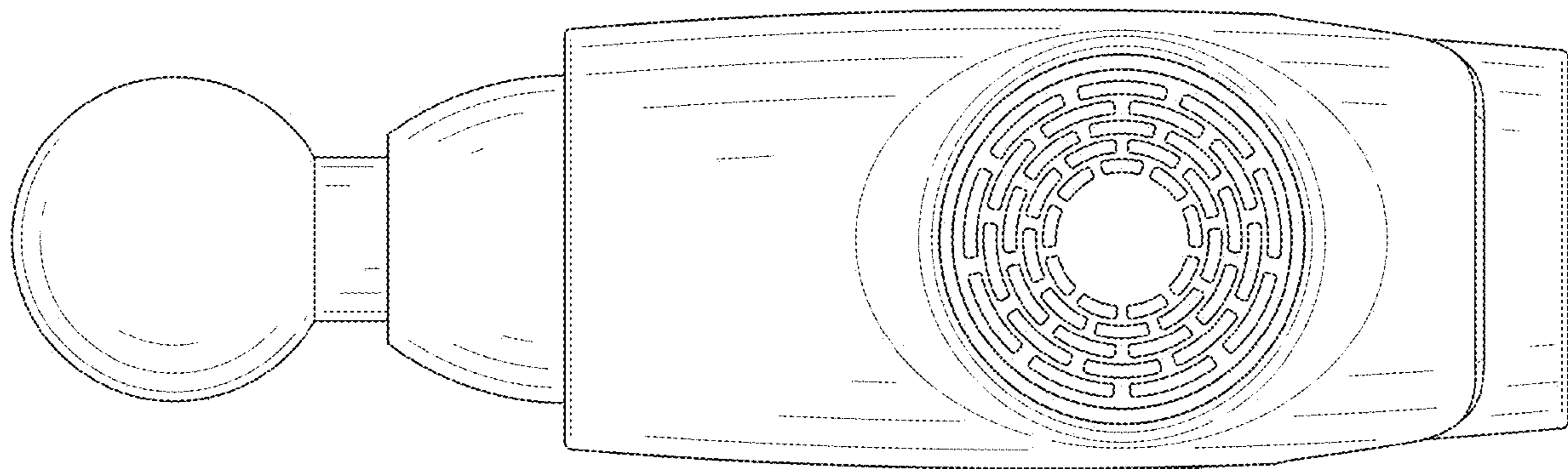


FIG. 5



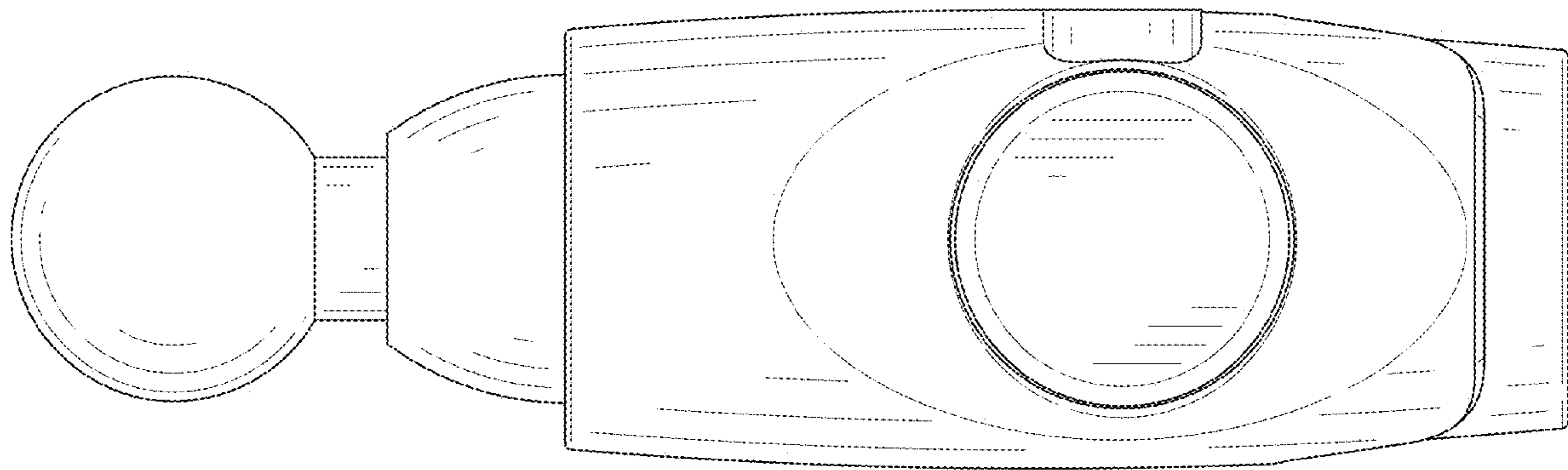


FIG. 6

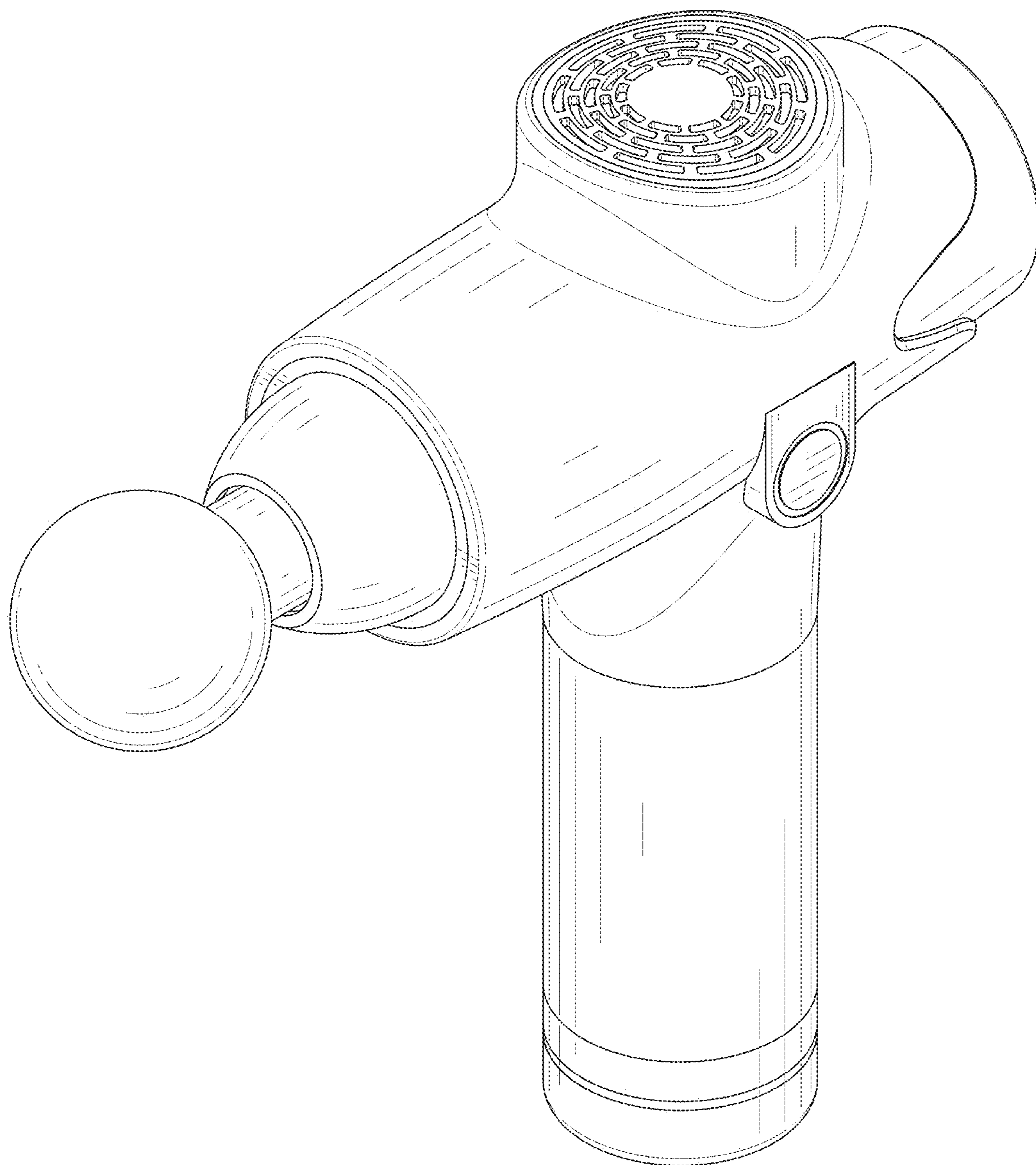


FIG. 7



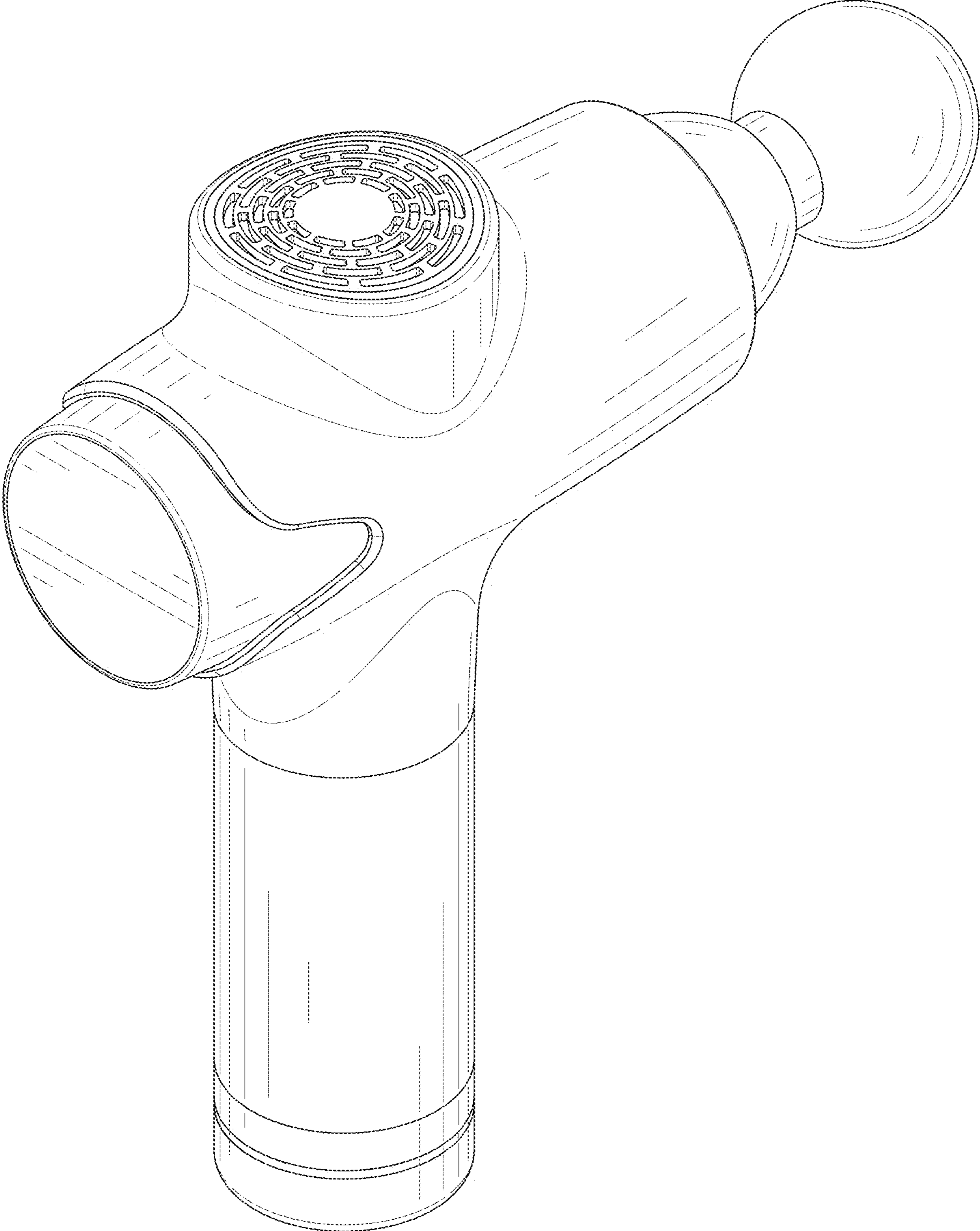


FIG. 8

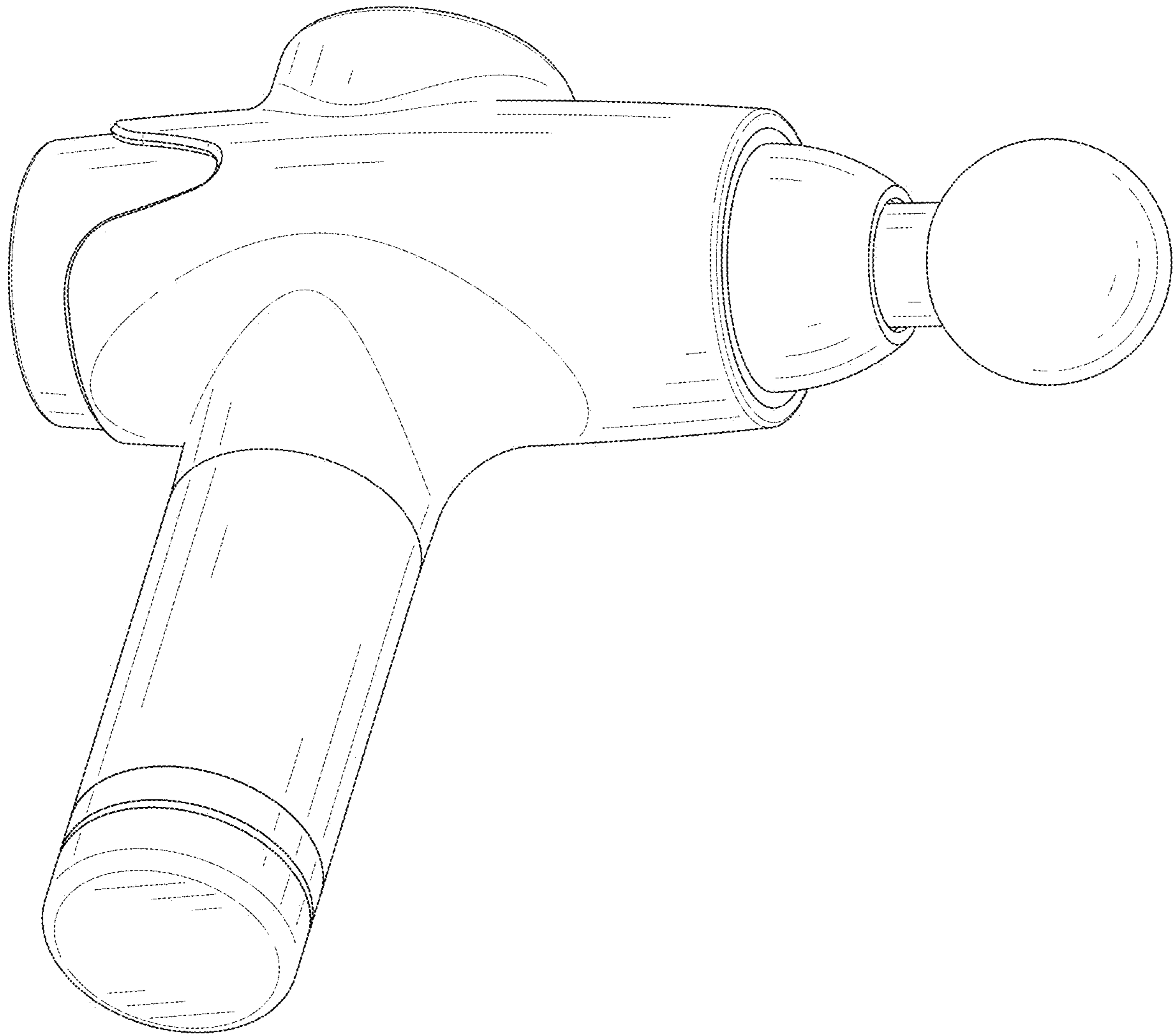


FIG. 9

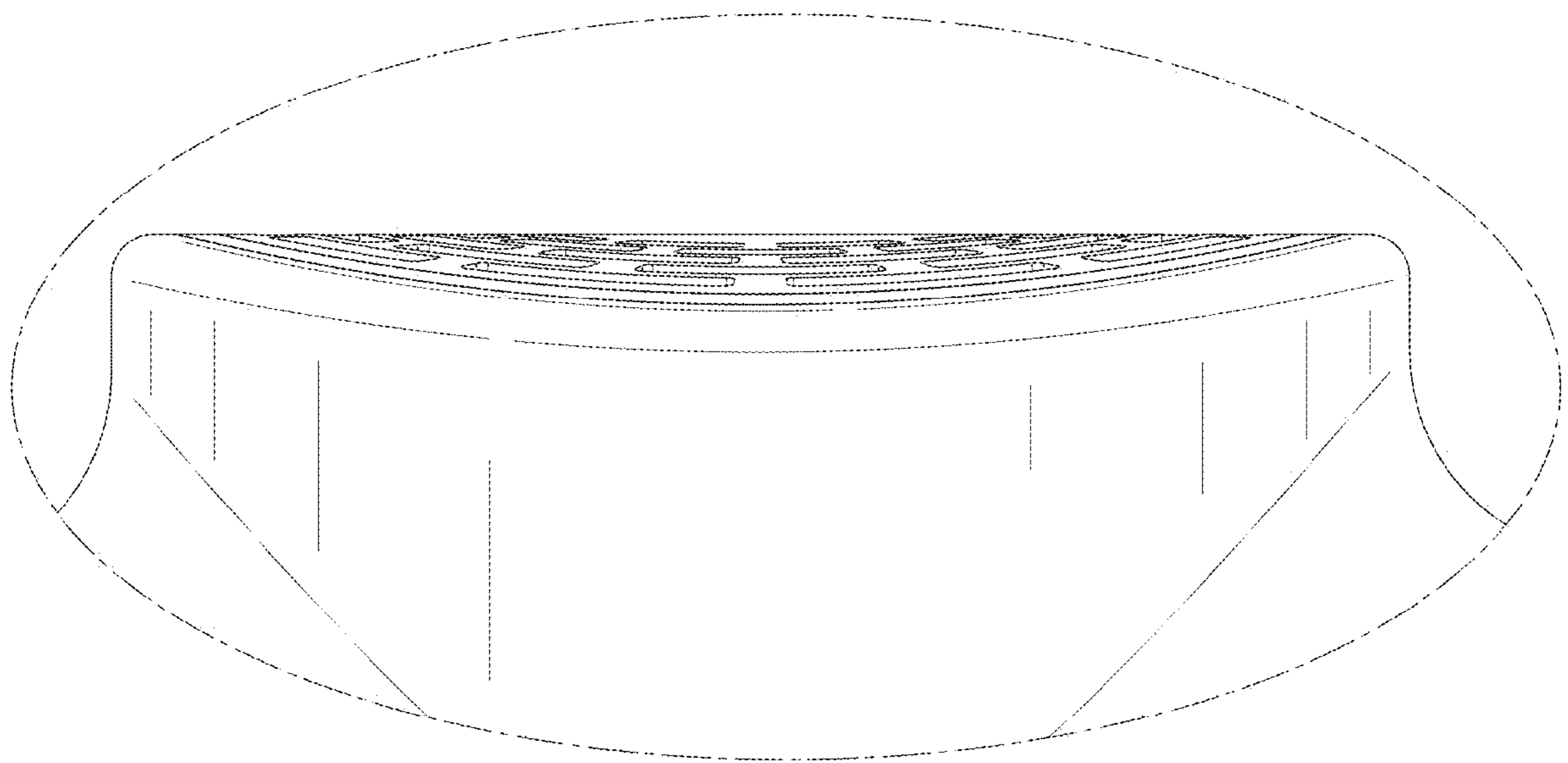


FIG. 10