



US00D895132S

(12) **United States Design Patent** (10) **Patent No.:** **US D895,132 S**
Hu (45) **Date of Patent:** **** Sep. 1, 2020**

(54) **MUSCLE MASSAGE GUN**
(71) Applicant: **DONGGUAN XIQIN Electrical Appliance Co., Ltd., Dongguan (CN)**
(72) Inventor: **Dashuai Hu, Dongguan (CN)**
(**) Term: **15 Years**

D706,433 S * 6/2014 Fuhr D24/200
D825,073 S * 8/2018 Lenke D24/215
D836,792 S * 12/2018 Fuhner D24/215
D838,378 S * 1/2019 Cao D24/215
D847,362 S * 4/2019 Tang D24/215
D847,364 S * 4/2019 Lee D24/215
D848,013 S * 5/2019 Fuhner D24/215
D848,632 S * 5/2019 Fuhner D24/215

(Continued)

(21) Appl. No.: **29/681,988**
(22) Filed: **Feb. 28, 2019**

Primary Examiner — Cynthia Ramirez
Assistant Examiner — Michael A Maharajh
(74) *Attorney, Agent, or Firm* — Tsz Lung Yeung

(30) **Foreign Application Priority Data**

Nov. 16, 2018 (CN) 2018 3 0650899

(51) **LOC (12) Cl.** **28-03**
(52) **U.S. Cl.**
USPC **D24/215**

(58) **Field of Classification Search**
USPC 601/15, 18, 19, 27, 28, 29, 30, 31, 32,
601/46, 47, 48, 52, 72, 99, 112, 113, 118,
601/135, 137, DIG. 12, DIG. 14, DIG. 15,
601/DIG. 16, DIG. 17; D24/200, 211,
D24/212, 213, 214, 215; D30/160;
600/38, 39, 40, 41; D8/14.1
CPC A61H 7/001; A61H 39/04; A61H 7/007;
A61H 2015/0014; A61B 17/1325
See application file for complete search history.

(56) **References Cited**

U.S. PATENT DOCUMENTS

5,197,459 A * 3/1993 Henkin A61H 33/027
601/112
D388,175 S * 12/1997 Lie D24/215
D407,498 S * 3/1999 Cooper D24/214
D430,938 S * 9/2000 Lee D24/214
D435,913 S * 1/2001 Harris D24/214
D448,852 S * 10/2001 Engelen D24/215
D553,252 S * 10/2007 Masuda D24/214
D555,255 S * 11/2007 Masuda D24/214
D609,817 S * 2/2010 Piller D24/215

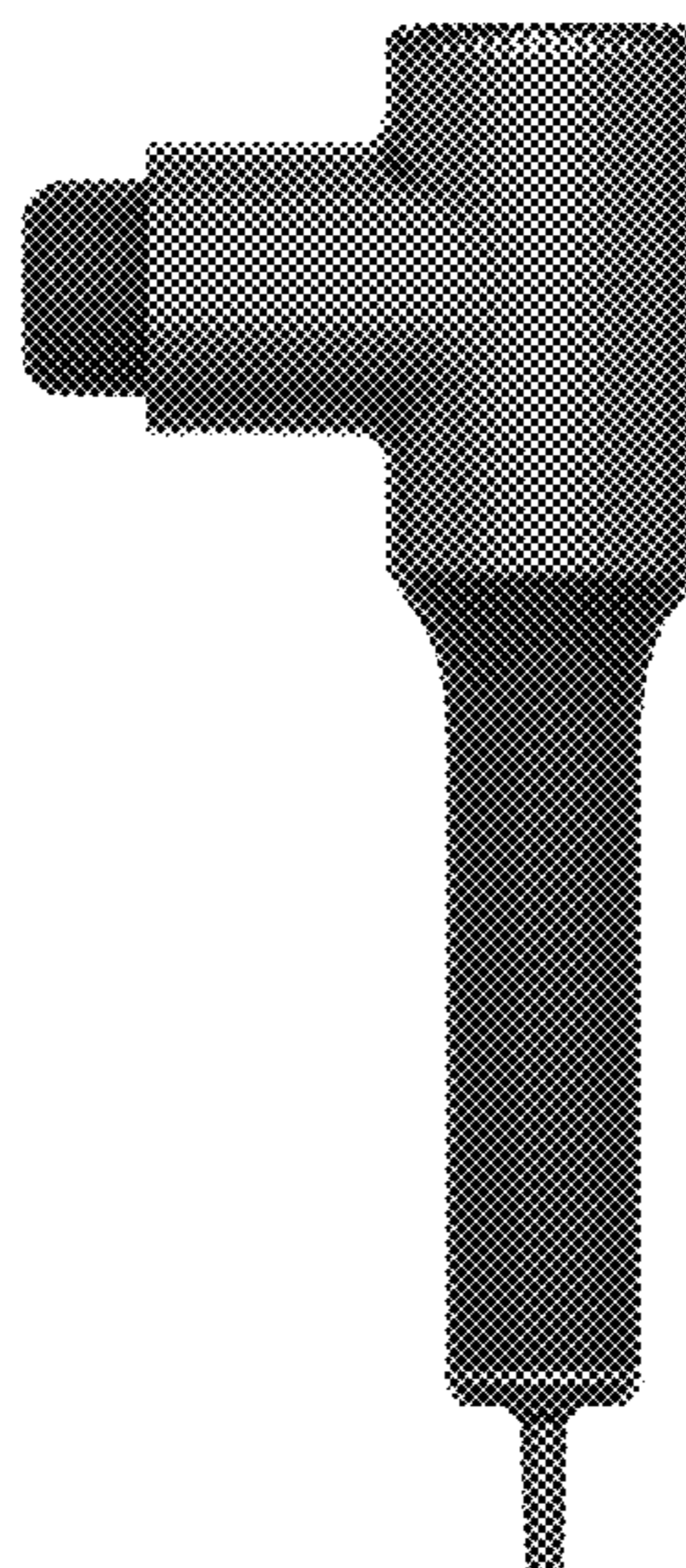
(57) **CLAIM**

The ornamental design for a muscle massage gun, as shown and described.

DESCRIPTION

FIG. 1 is a front view of a muscle massage gun showing my new design;
FIG. 2 is a rear view thereof;
FIG. 3 is a left side view thereof;
FIG. 4 is a right side view thereof;
FIG. 5 is a top view thereof; and
FIG. 6 is a bottom view thereof;
FIG. 7 is a perspective view thereof;
FIG. 8 is a perspective view thereof, shown a first in-use condition;
FIG. 9 is a perspective view thereof, shown a second in-use condition;
FIG. 10 is a perspective view thereof, shown a third in-use condition;
FIG. 11 is a perspective view thereof, shown a fourth in-use condition; and,
FIG. 12 is a perspective view thereof, shown a fifth in-use condition.
The broken lines shown in the drawings are for the purposes of illustrating environmental structure, which form no part of the claimed design.

1 Claim, 12 Drawing Sheets



(56)

References Cited

U.S. PATENT DOCUMENTS

10,314,762 B1 * 6/2019 Marton A61H 1/008
D855,822 S * 8/2019 Marton D24/215
D859,681 S * 9/2019 Tang D24/214
D863,571 S * 10/2019 Yang D24/200
D865,209 S * 10/2019 Nichols D24/214
2002/0188233 A1 * 12/2002 Denyes A61H 19/34
601/46
2006/0058714 A1 * 3/2006 Rhoades A46B 15/0034
601/73
2010/0160841 A1 * 6/2010 Wu A61H 7/004
601/135
2010/0274162 A1 * 10/2010 Evans A61F 7/007
601/15
2011/0009783 A1 * 1/2011 Dverin A61B 18/14
601/137
2013/0046212 A1 * 2/2013 Nichols A46B 7/04
601/18
2015/0119771 A1 * 4/2015 Roberts A61H 39/04
601/135

* cited by examiner



FIG.1

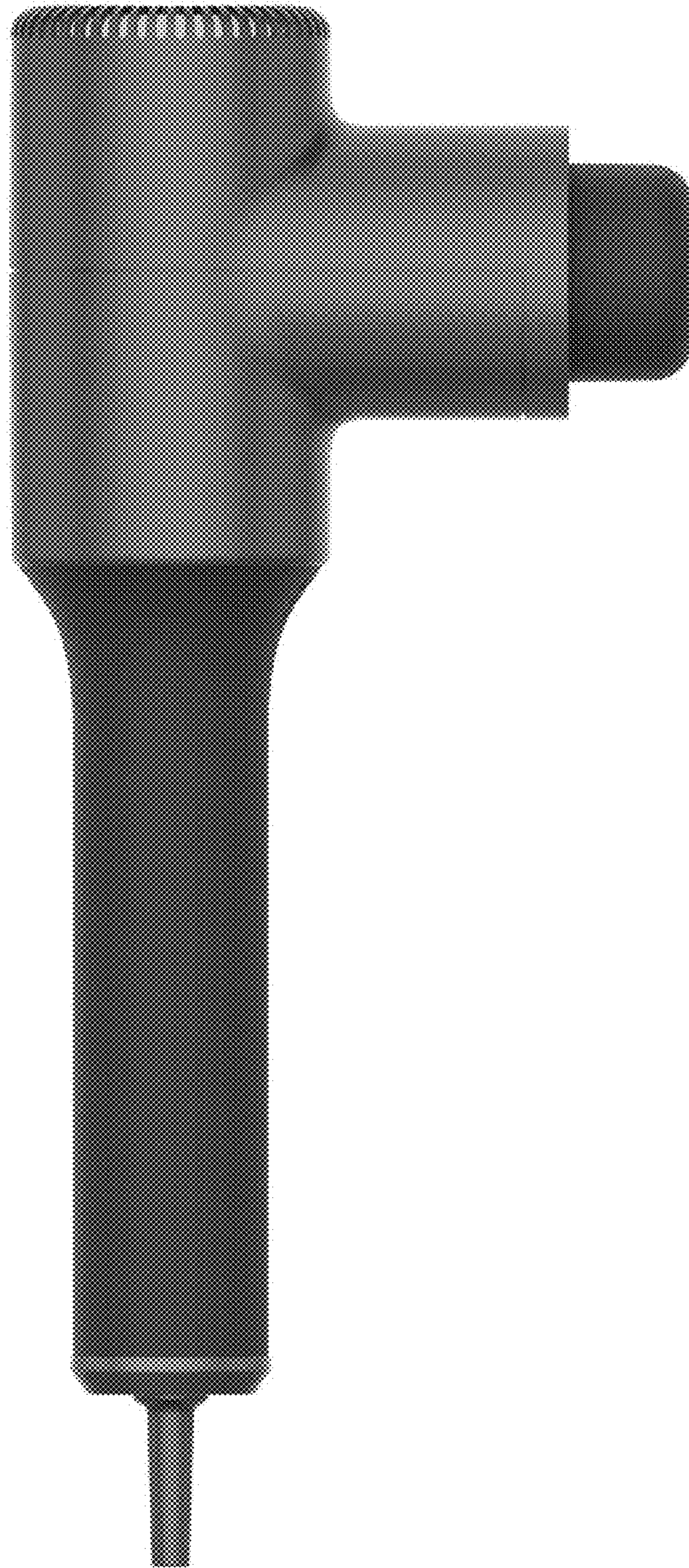


FIG.2



FIG.3



FIG.4

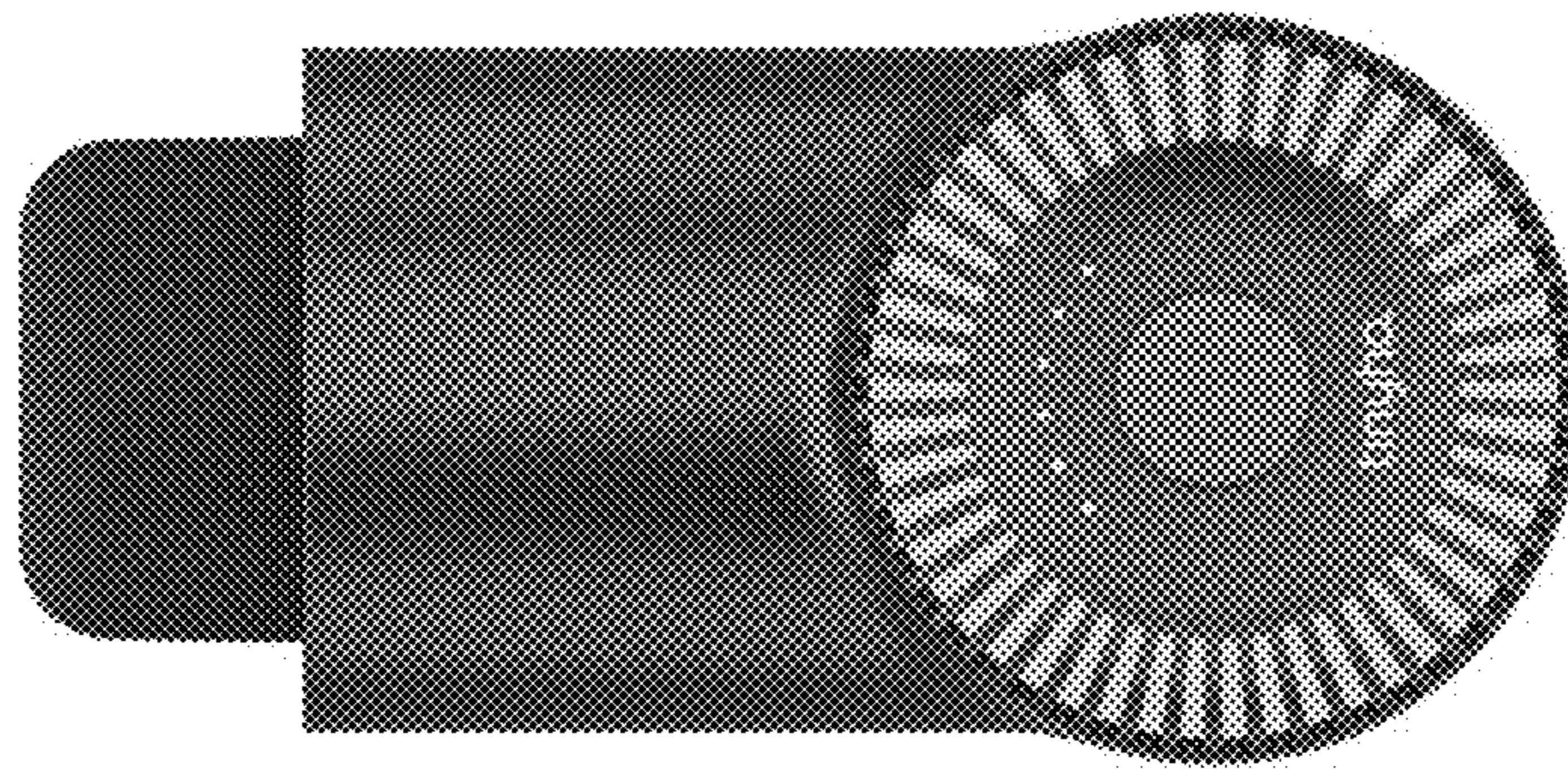


FIG.5

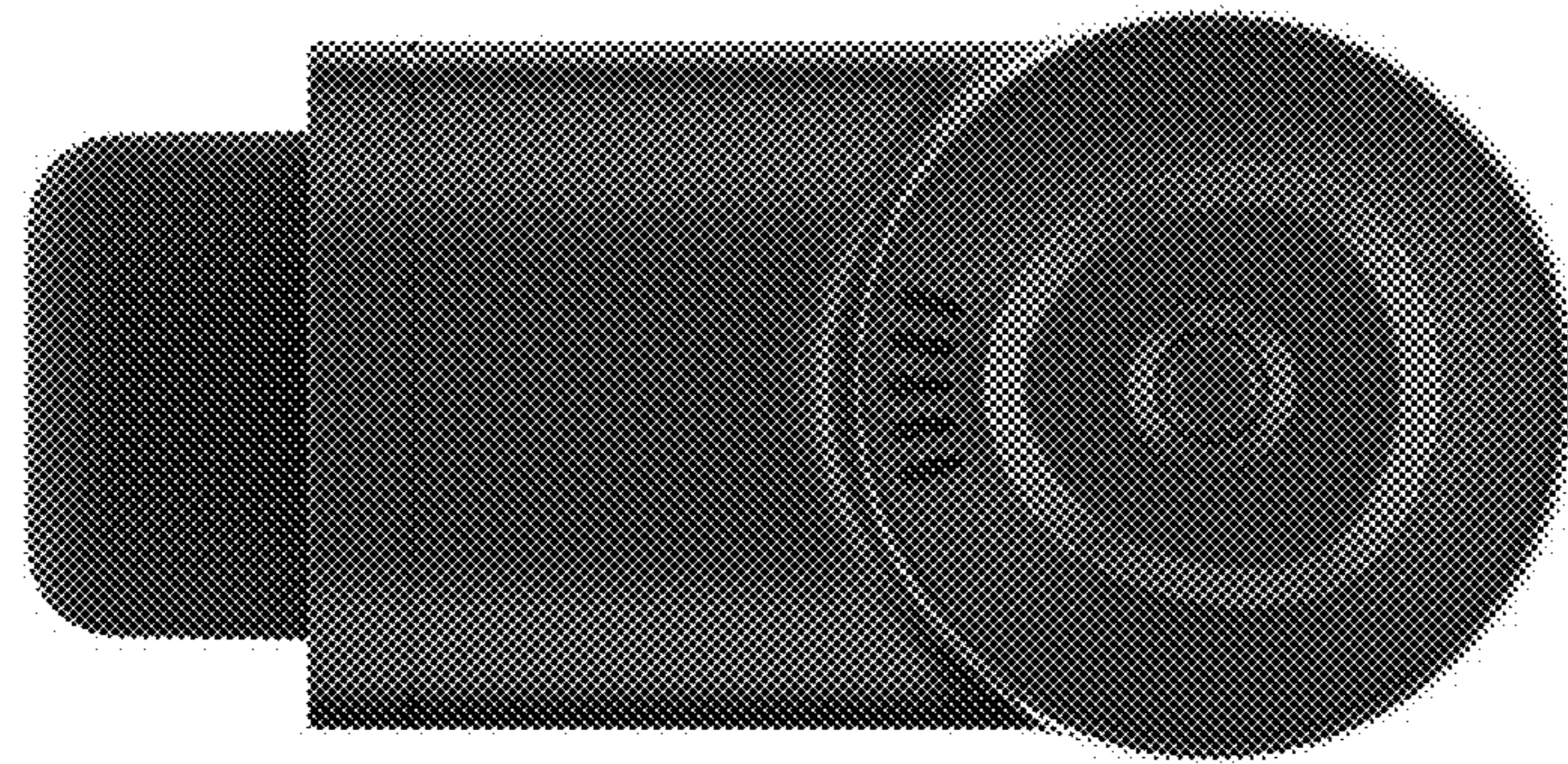


FIG.6



FIG.7



FIG.8



FIG.9



FIG.10



FIG.11



FIG.12