



US00D895126S

(12) **United States Design Patent** (10) **Patent No.:** **US D895,126 S**
Chau (45) **Date of Patent:** **** Sep. 1, 2020**

(54) **SKIN TREATMENT DEVICE**
(71) Applicant: **Nicole Chau**, Los Angeles, CA (US)
(72) Inventor: **Nicole Chau**, Los Angeles, CA (US)
(**) Term: **15 Years**
(21) Appl. No.: **29/684,957**
(22) Filed: **Mar. 25, 2019**
(51) **LOC (12) Cl.** **24-02**
(52) **U.S. Cl.**
USPC **D24/187; D24/214**
(58) **Field of Classification Search**
USPC D24/107, 186, 187, 200, 209, 210, 214,
D24/231; D28/58, 59
CPC A61H 7/005; A61B 2017/00424; A61B
2017/00764; A61N 5/06161
See application file for complete search history.

D888,342 S * 6/2020 Fan D28/58
2003/0151925 A1* 8/2003 Crunk F21S 45/10
362/545
2007/0000566 A1* 1/2007 Gueret A61H 7/003
141/98

FOREIGN PATENT DOCUMENTS

JP D2010-14523 * 6/2010
JP 201930258906.7 * 5/2019

* cited by examiner

Primary Examiner — Susan Bennett Hattan
Assistant Examiner — Omeed Agilee
(74) *Attorney, Agent, or Firm* — John K. Park; Park Law Firm

(57) **CLAIM**

The ornamental design for a skin treatment device, as shown and described.

DESCRIPTION

FIG. 1 is a perspective view of a skin treatment device showing my new design;
FIG. 2 is a top plan view thereof;
FIG. 3 is a front elevation view thereof;
FIG. 4 is a rear elevation view thereof;
FIG. 5 is a left-side elevation view thereof;
FIG. 6 is a right-side elevation view thereof;
FIG. 7 is a bottom plan view thereof;
FIG. 8 is a top plan view thereof showing the skin treatment device with environmental subject matter; and,
FIG. 9 is a bottom perspective view thereof.
The broken lines in shape of small circles within the squares shown in FIG. 9 depict environmental subject matter and form no part of the claimed design. The rest of the broken lines in the drawings depict portions of the skin treatment device that form no part of the claimed design.

(56) **References Cited**
U.S. PATENT DOCUMENTS

D272,185 S * 1/1984 Schlesinger D24/224
D557,810 S * 12/2007 Eknoian D24/189
D651,321 S * 12/2011 Marchese D24/209
D737,990 S * 9/2015 Lee D24/200
D787,074 S * 5/2017 Fang D24/186
D797,297 S * 9/2017 Martin D24/187
D803,415 S * 11/2017 Tate D24/224
D816,774 S * 5/2018 Edevold D21/343
D831,189 S * 10/2018 Fang D24/107
D845,631 S * 4/2019 Sedic D4/100
D870,305 S * 12/2019 Yamazaki D24/214
D870,896 S * 12/2019 Komaki D24/186
10,525,277 B1 * 1/2020 Chau A61B 18/18
D884,203 S * 5/2020 Segev D24/209
D886,384 S * 6/2020 Khubani D28/59

1 Claim, 5 Drawing Sheets

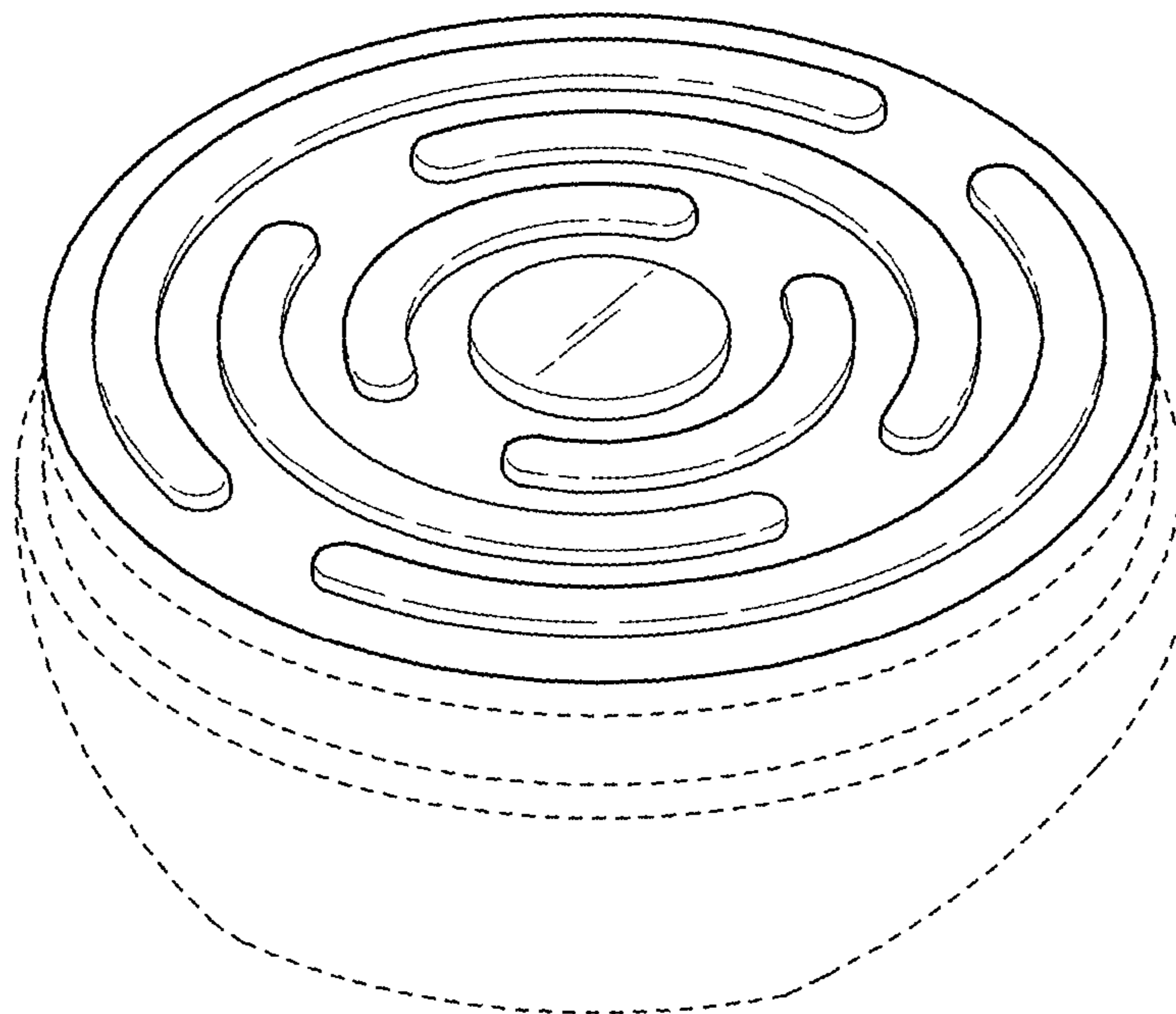


FIG. 1

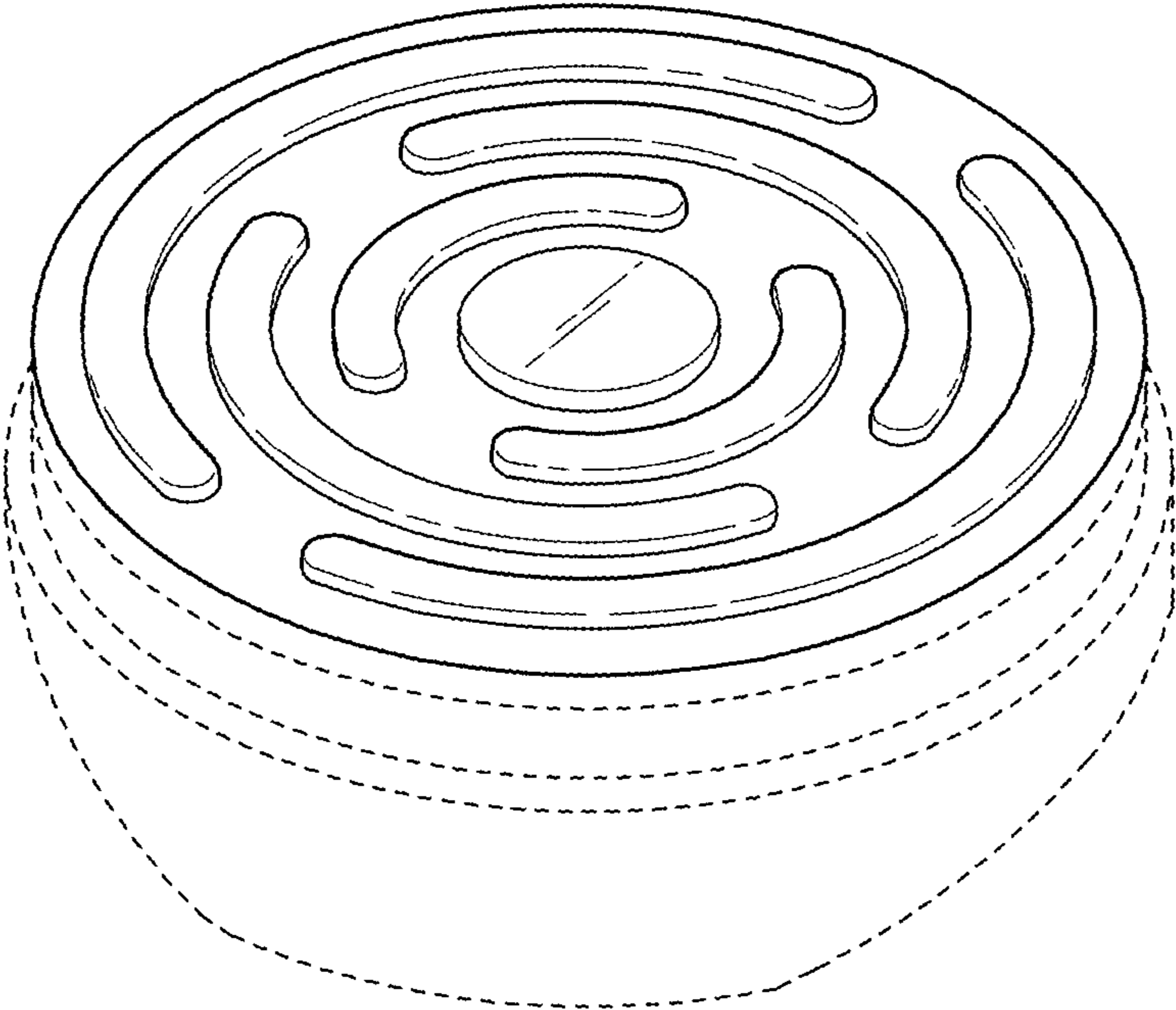


FIG. 2

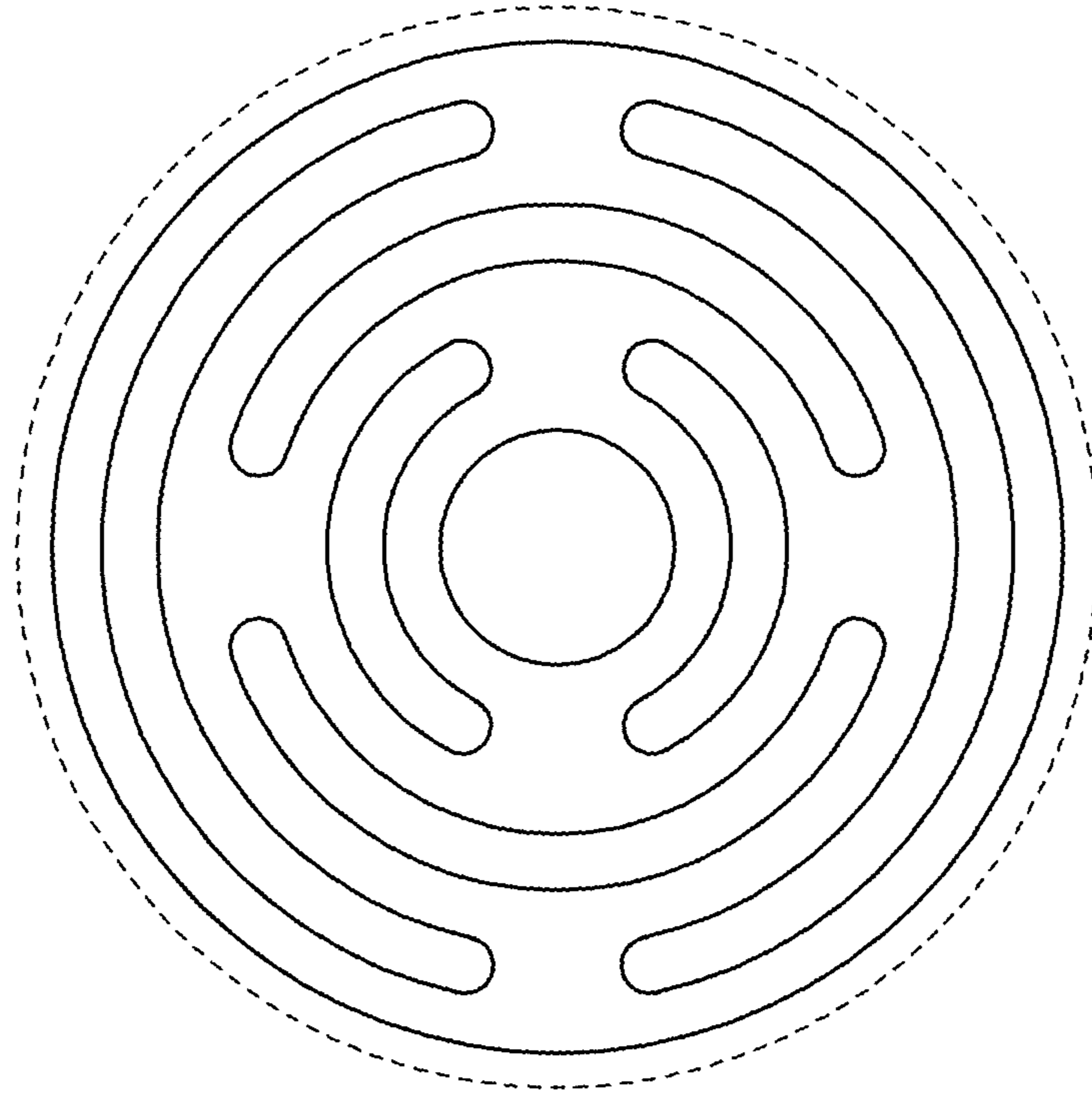


FIG. 3

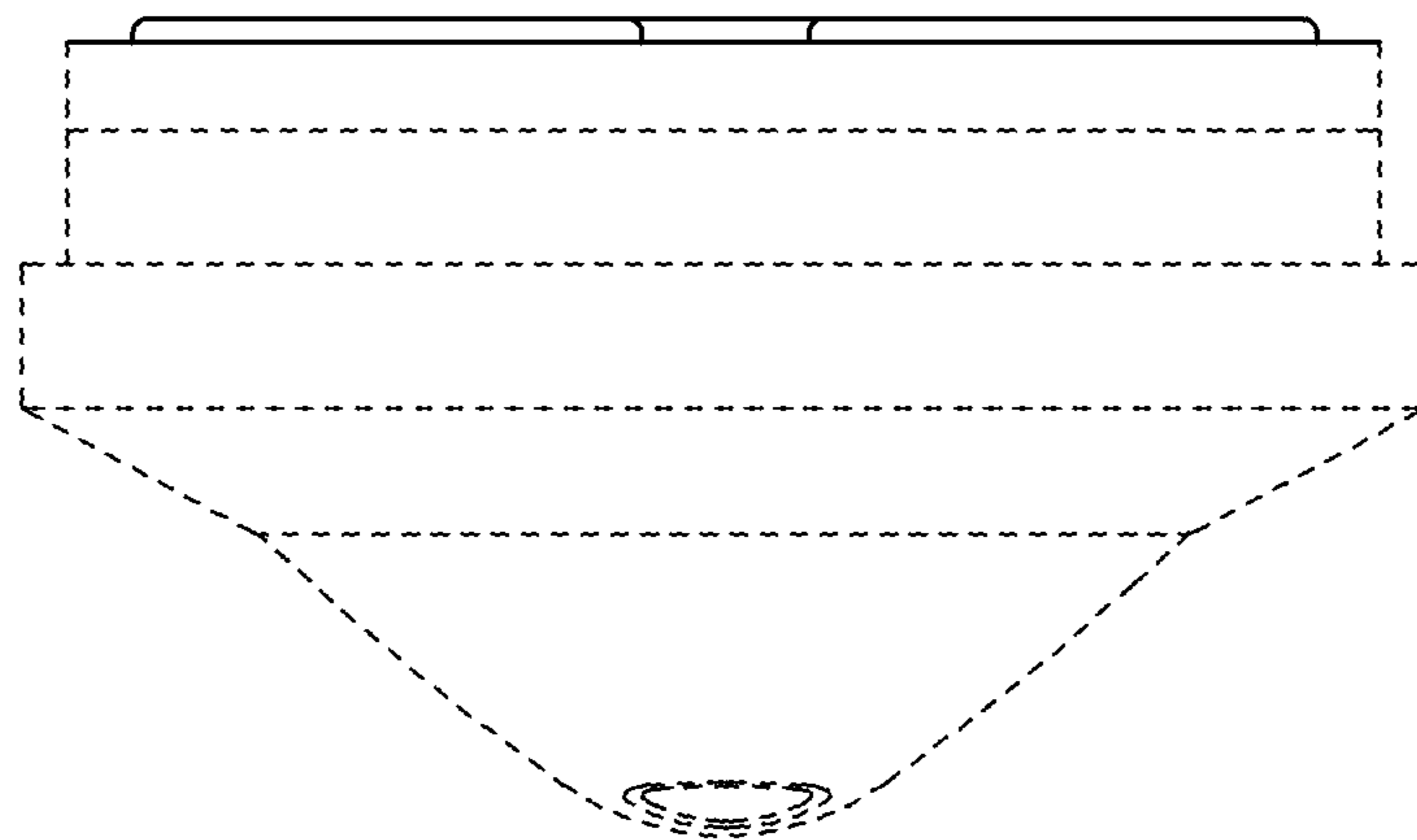


FIG. 4

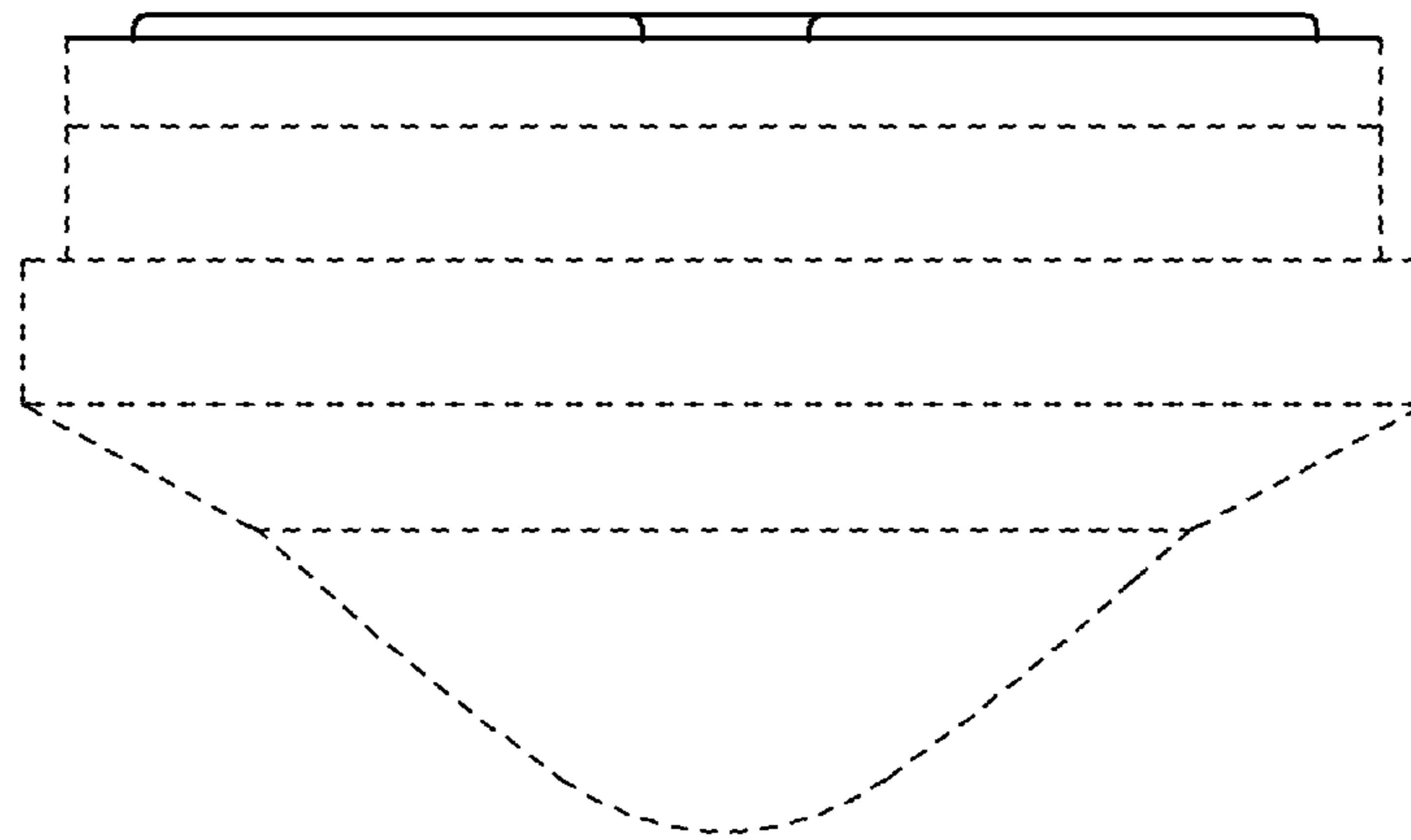


FIG. 5

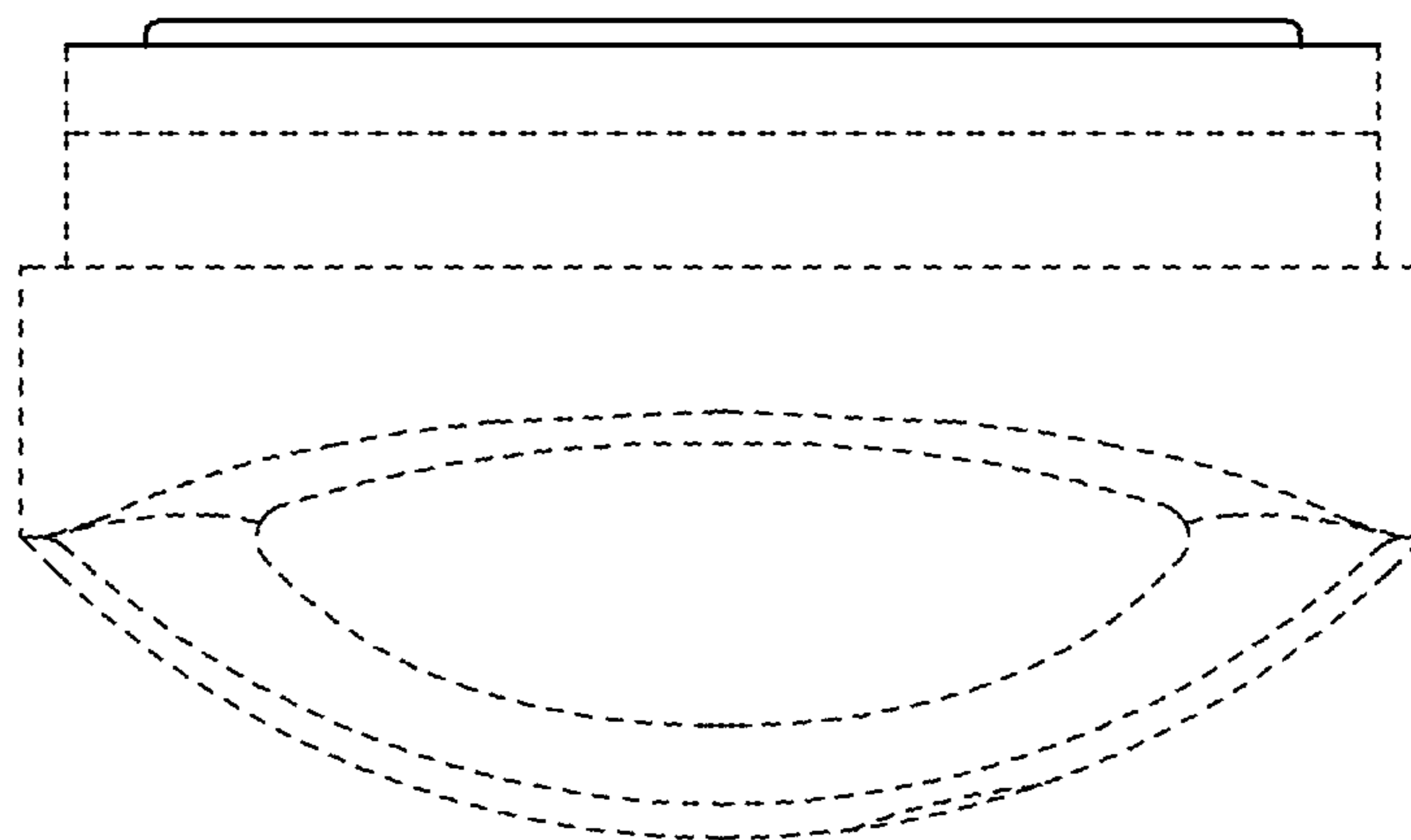


FIG. 6

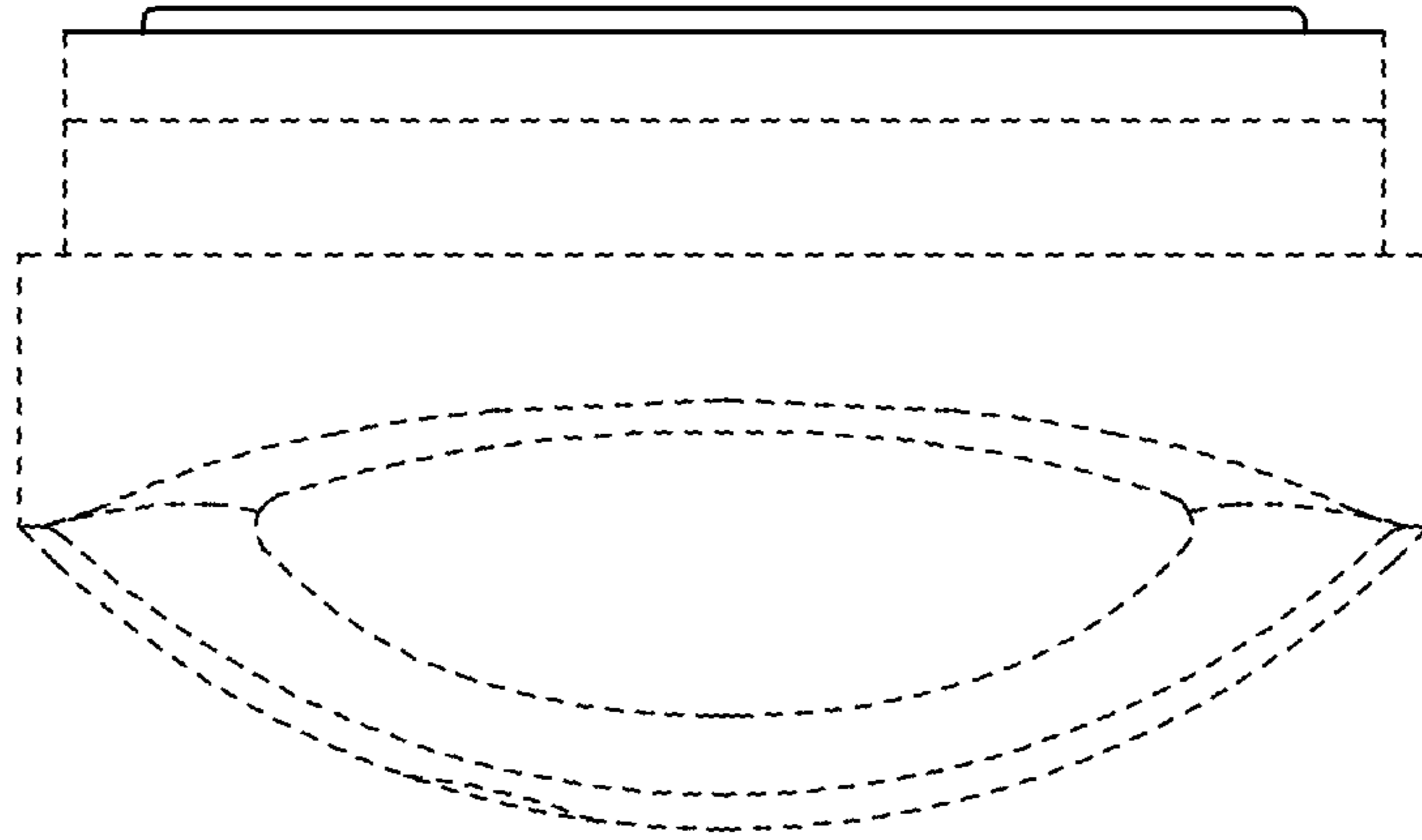


FIG. 7

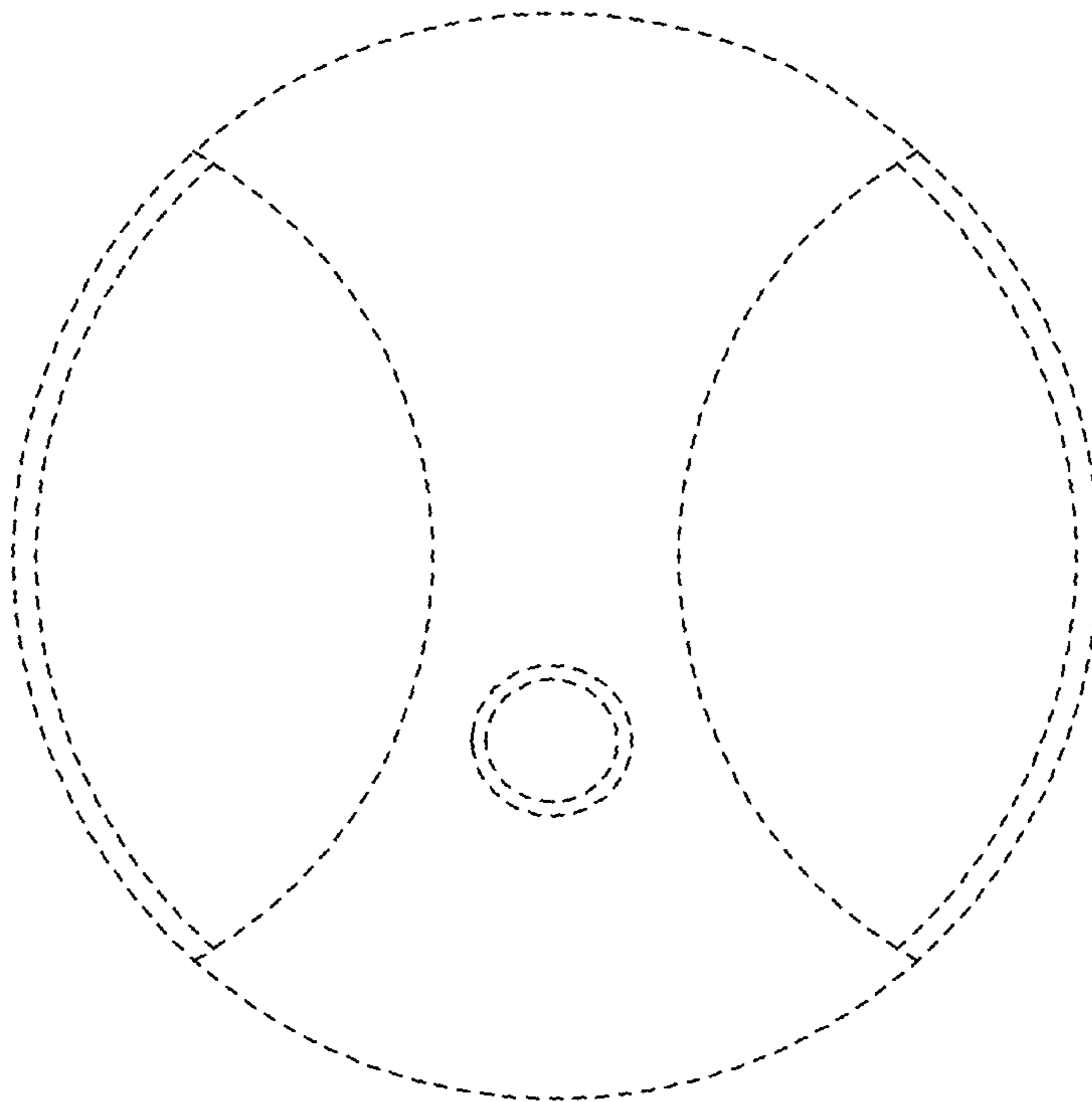


FIG. 8

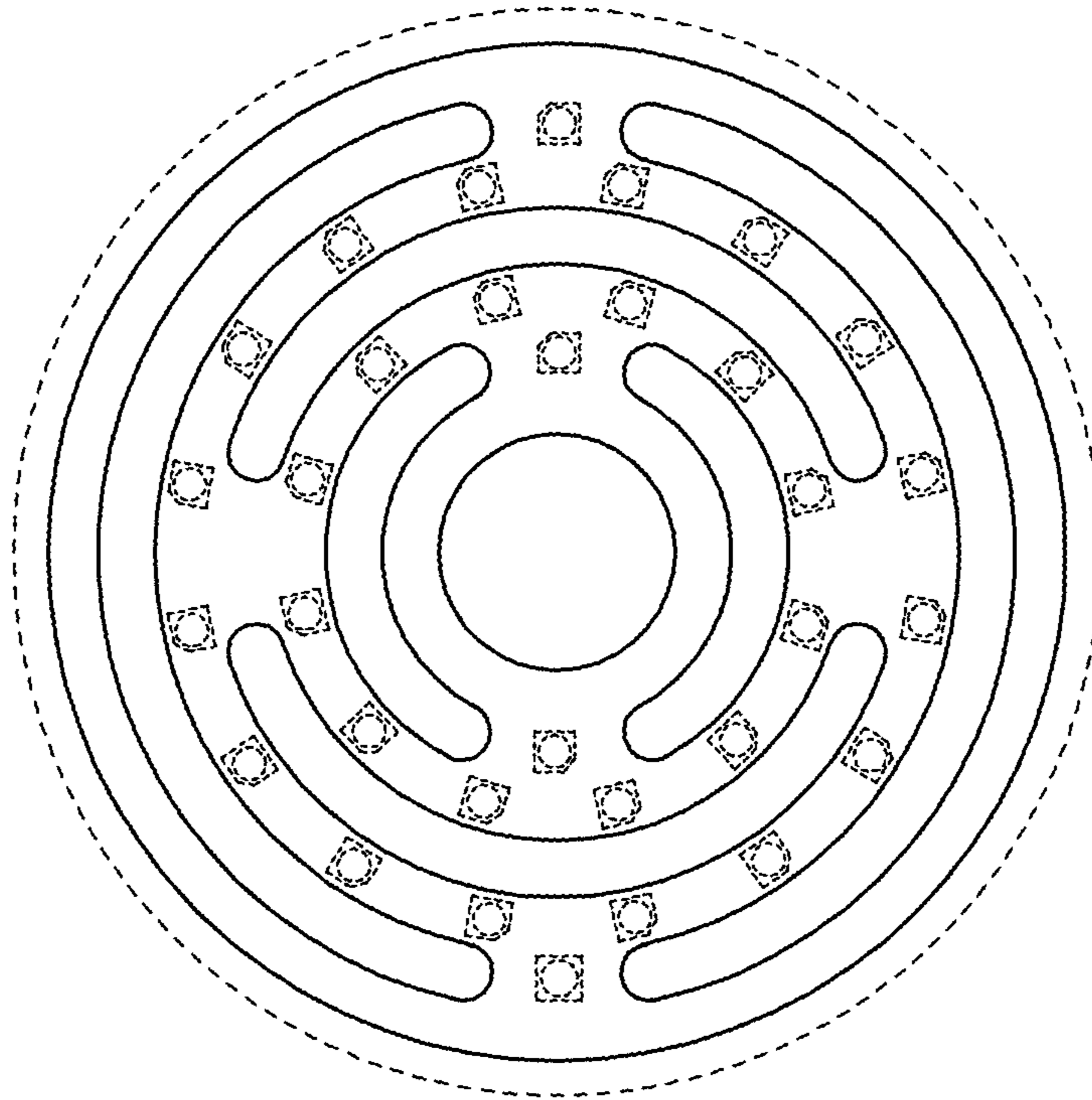


FIG. 9

