



US00D895125S

(12) **United States Design Patent** (10) **Patent No.:** **US D895,125 S**  
**Green et al.** (45) **Date of Patent:** **\*\* Sep. 1, 2020**

(54) **EAR-MOUNTABLE BIO-SENSOR DEVICE**

(56) **References Cited**

(71) Applicant: **Inova Design Solutions Ltd**, London (GB)

U.S. PATENT DOCUMENTS

(72) Inventors: **Steven Green**, Oxon (GB); **Leon Marsh**, London (GB); **Emily Mcloughlin**, West Sussex (GB)

D585,557 S *	1/2009	Sakurai .....	D24/187
D632,794 S	2/2011	Wai	
D692,142 S	10/2013	Hughes et al.	
8,574,165 B2 *	11/2013	Marsh .....	A61B 5/01 600/549
D717,443 S	11/2014	Hughes et al.	
8,942,776 B2	1/2015	LeBoeuf et al.	
D771,822 S *	11/2016	Jo .....	D24/186
D778,450 S	2/2017	Min et al.	
D796,490 S	9/2017	Lian	
D814,443 S	4/2018	Sandanger	
D841,816 S *	2/2019	Min .....	D24/173
D850,637 S *	6/2019	Ci .....	D24/174
D856,523 S *	8/2019	Green .....	D24/186
2013/0060155 A1	3/2013	Chen	
2014/0213864 A1	7/2014	Abdul-Hafiz et al.	

(73) Assignee: **Inova Design Solutions Ltd**, London (GB)

(\*\*) Term: **15 Years**

(21) Appl. No.: **29/691,704**

(22) Filed: **May 17, 2019**

(Continued)

**Related U.S. Application Data**

(62) Division of application No. 29/595,867, filed on Mar. 2, 2017, now Pat. No. Des. 856,523.

*Primary Examiner* — Anhdao Doan

(74) *Attorney, Agent, or Firm* — Banner & Witcoff, Ltd.

(57) **CLAIM**

The ornamental design for an ear-mountable bio-sensor device, as shown and described.

(30) **Foreign Application Priority Data**

Jan. 6, 2017 (EM) ..... 003598002

(51) **LOC (12) Cl.** ..... **24-01**

(52) **U.S. Cl.**  
USPC ..... **D24/186**

(58) **Field of Classification Search**  
USPC ..... D24/173–175, 186, 187, 106; D14/205,  
D14/223–226, 249, 188  
CPC .. H04R 2225/025; H04R 25/60; H04R 25/63;  
H04R 25/67; H04R 25/602; H04R  
25/604; H04R 25/608; H04R 25/65;  
H04R 25/652; A61B 5/6815; A61B  
5/6816; A61B 5/6817

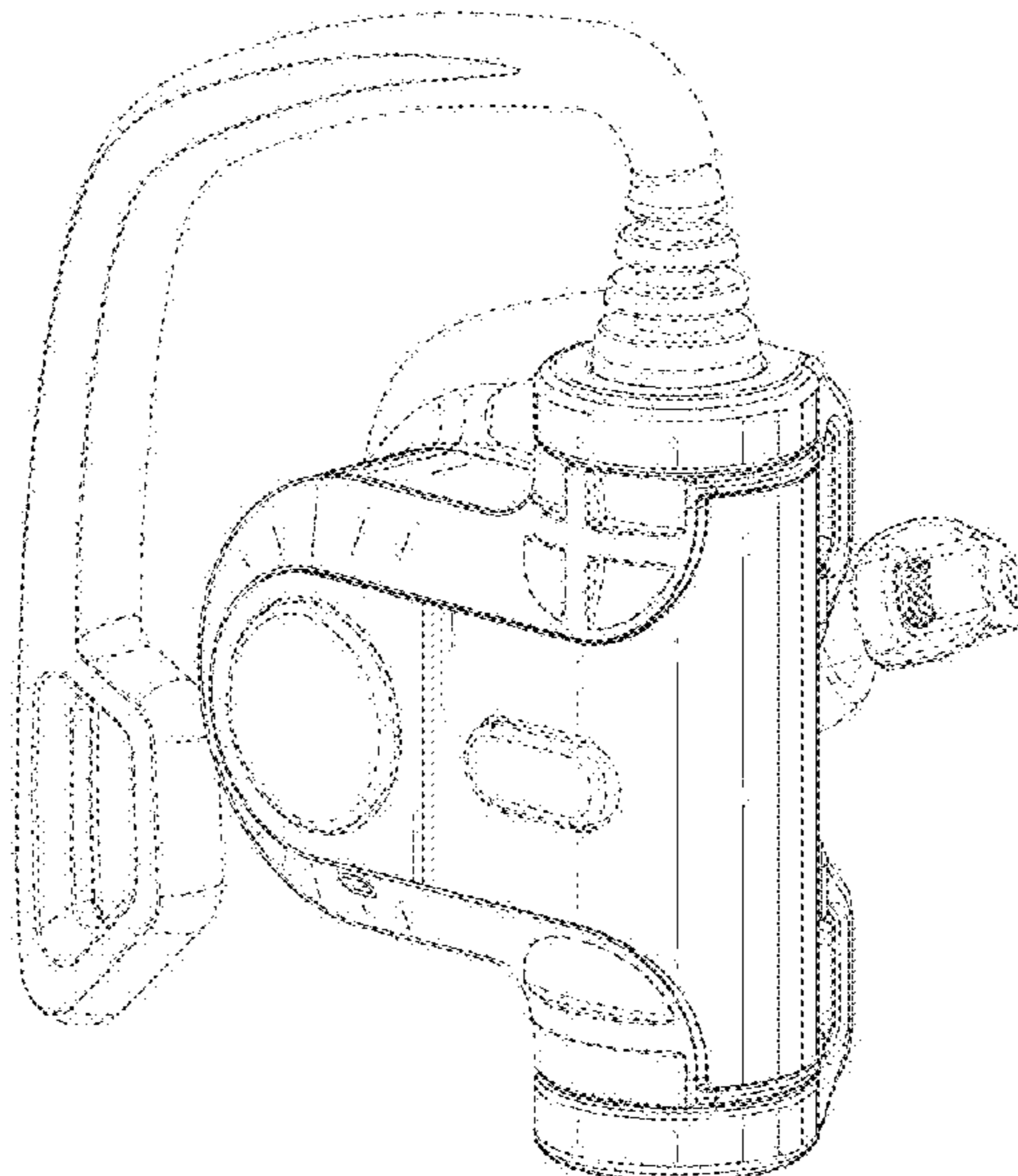
See application file for complete search history.

**DESCRIPTION**

FIG. 1 is a rear perspective view of the ear-mountable bio-sensor device showing our new design; FIG. 2 is a front perspective view thereof; FIG. 3 is a side view thereof; FIG. 4 is another side view thereof; FIG. 5 is a rear view thereof; FIG. 6 is a front view thereof; FIG. 7 is a top view thereof; and, FIG. 8 is a bottom view thereof.

The broken lines immediately adjacent the shaded areas represent the bounds of the claim, while all other broken lines are directed to environment and are for illustrative purposes only; the broken lines form no part of the claimed design.

**1 Claim, 8 Drawing Sheets**



(56)

**References Cited**

U.S. PATENT DOCUMENTS

2014/0275888 A1 9/2014 Wegerich et al.  
2017/0000359 A1 1/2017 Kohli et al.  
2018/0235540 A1 8/2018 Kirszenblat et al.  
2019/0212198 A1\* 7/2019 Marsh ..... G01J 5/0011

\* cited by examiner

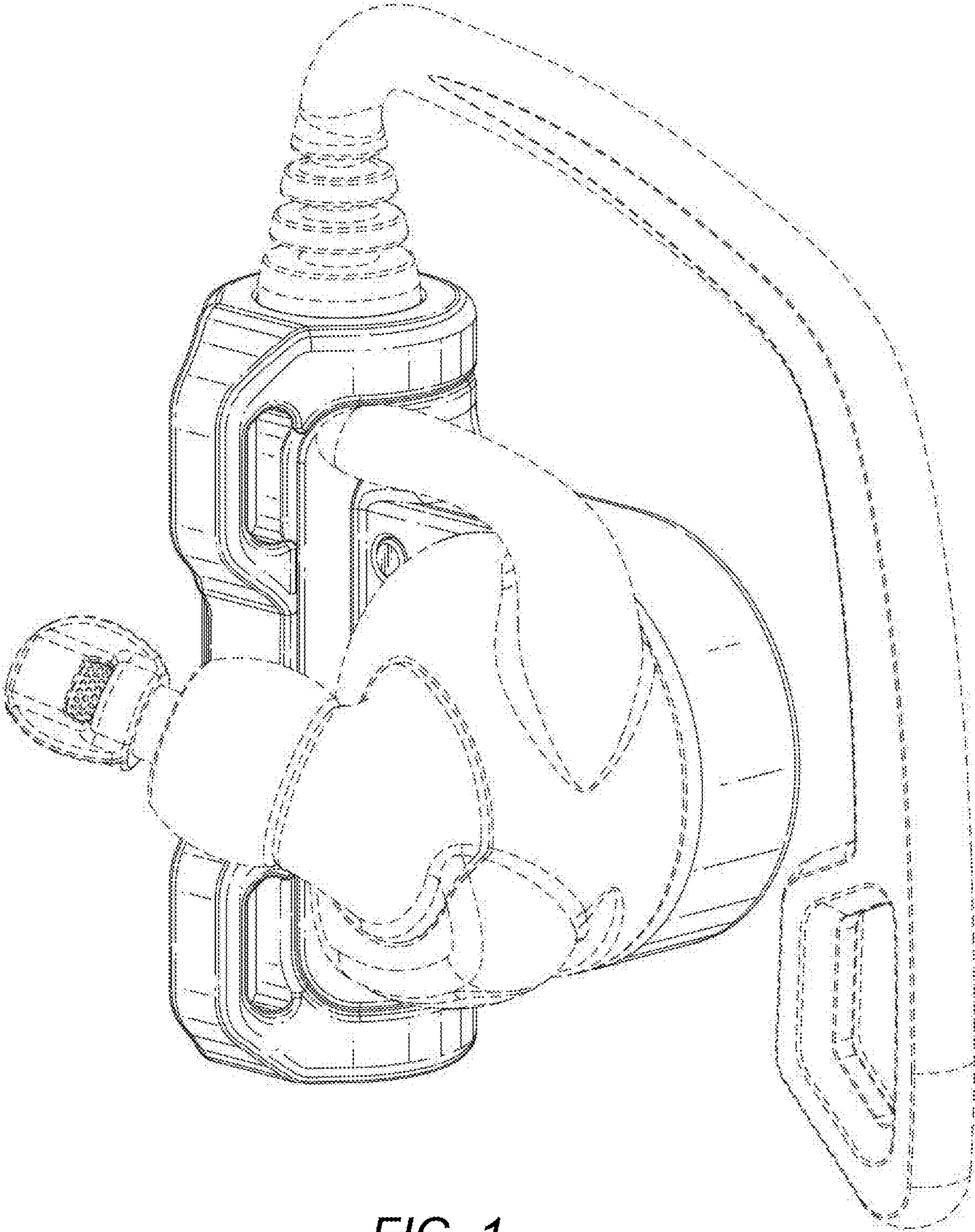


FIG. 1

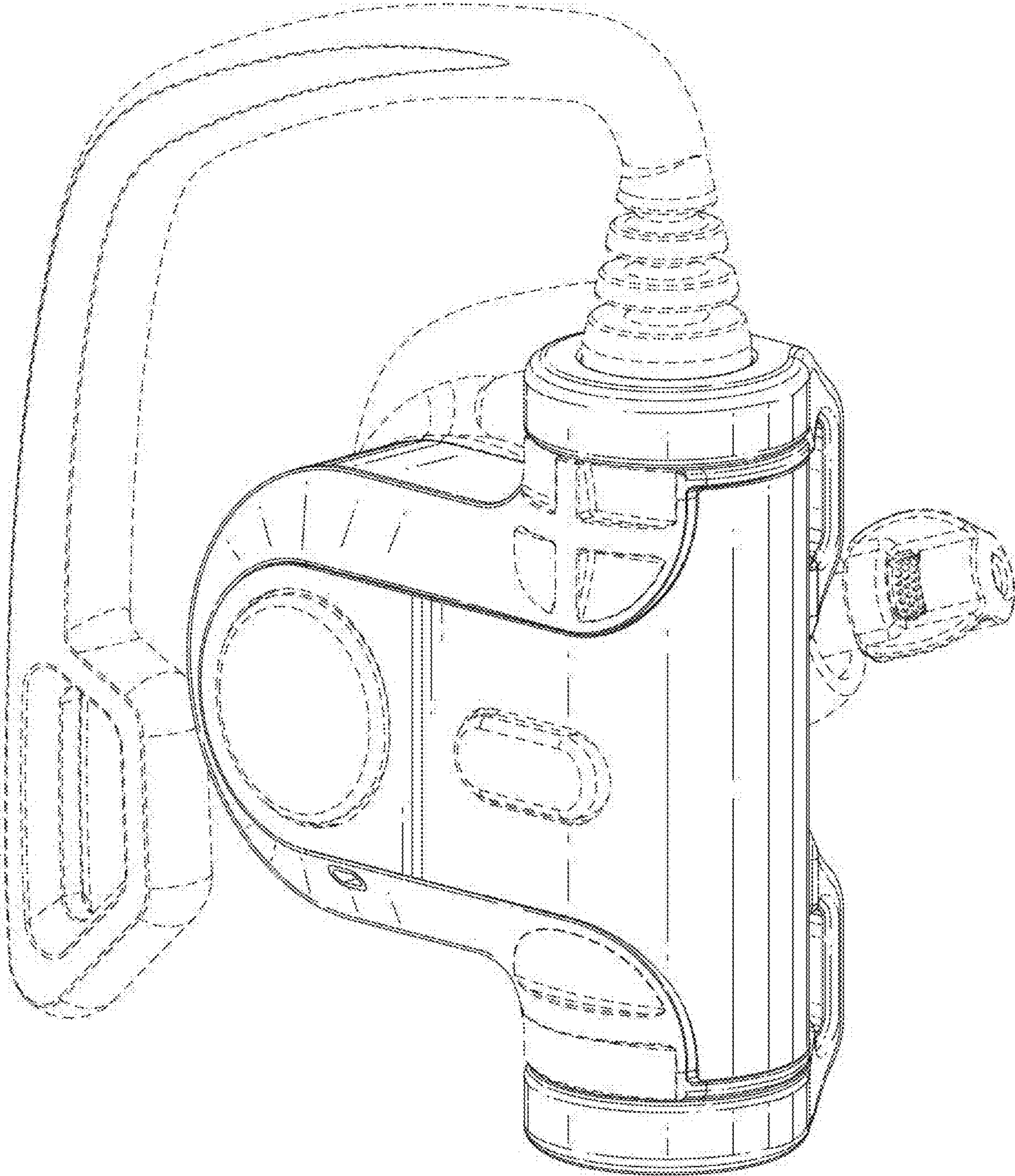


FIG. 2

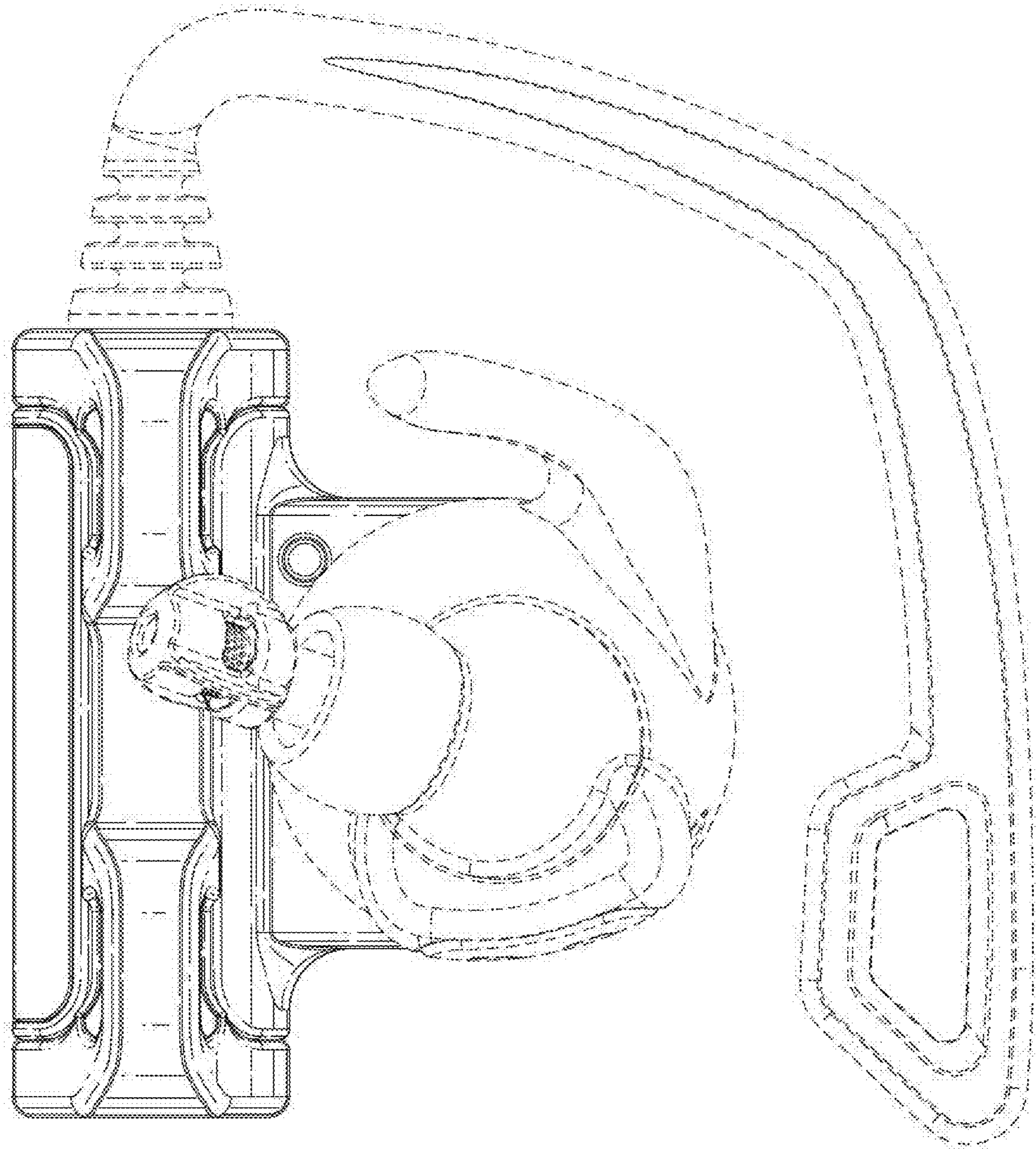


FIG. 3

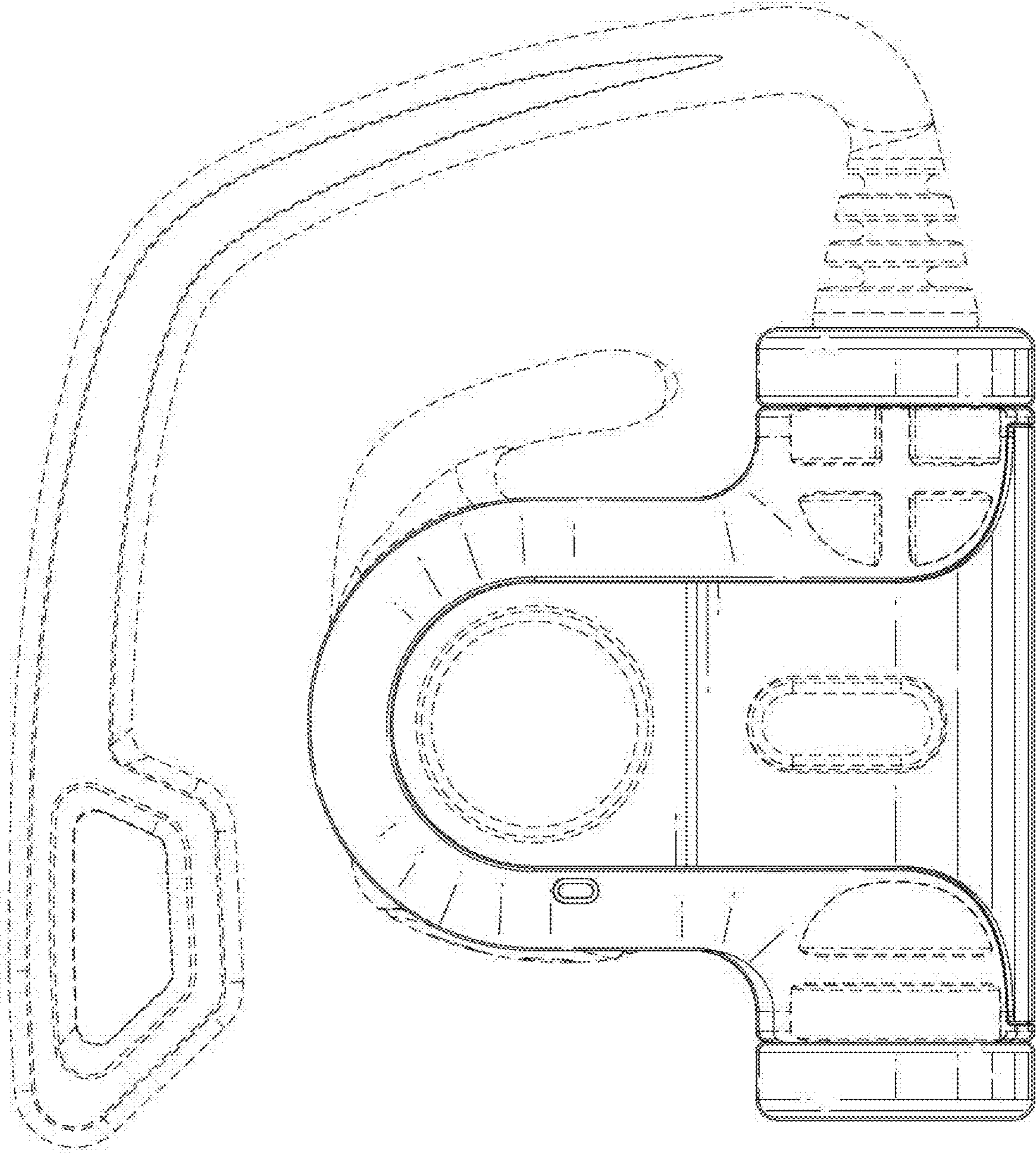


FIG. 4

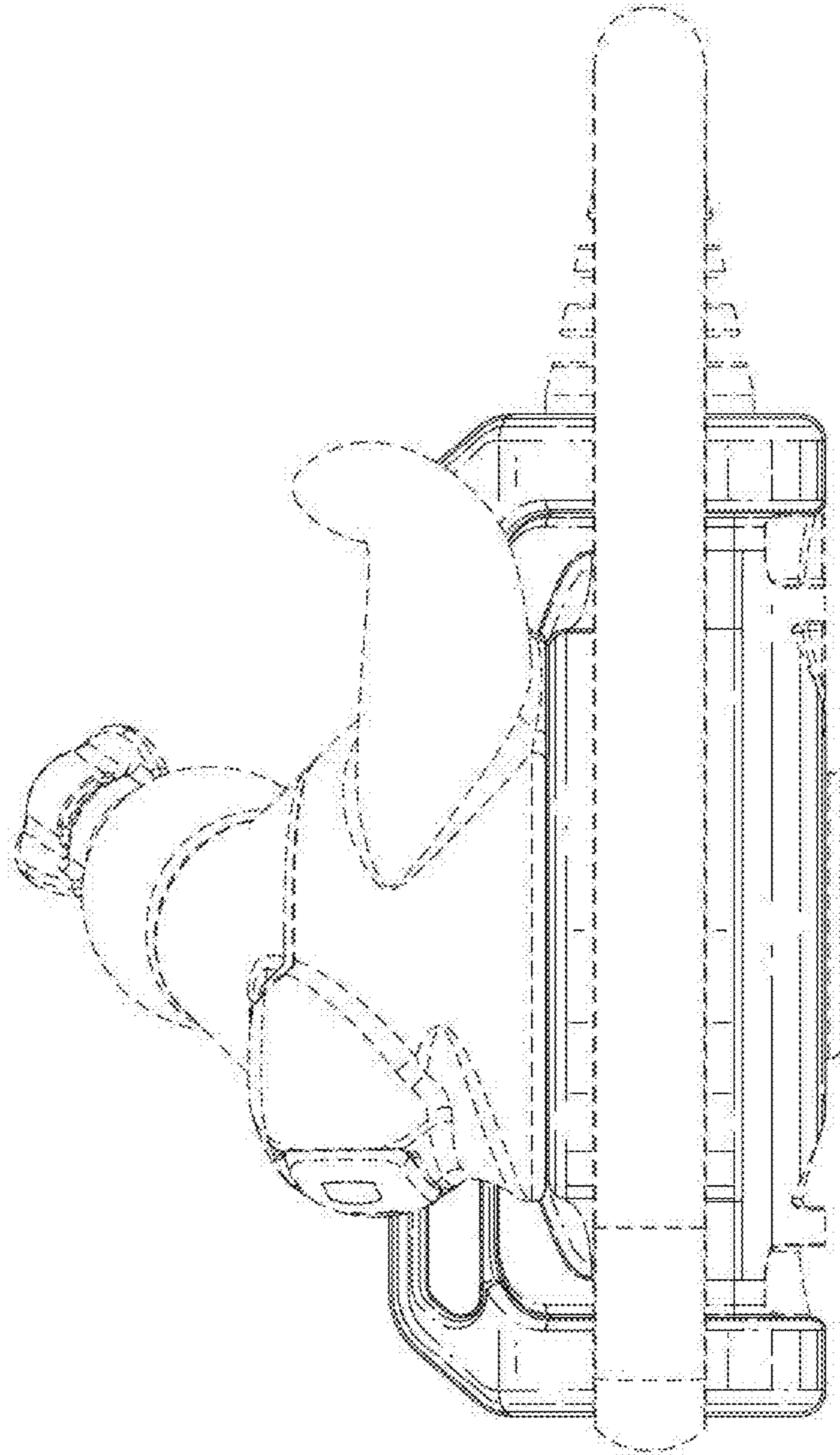


FIG. 5

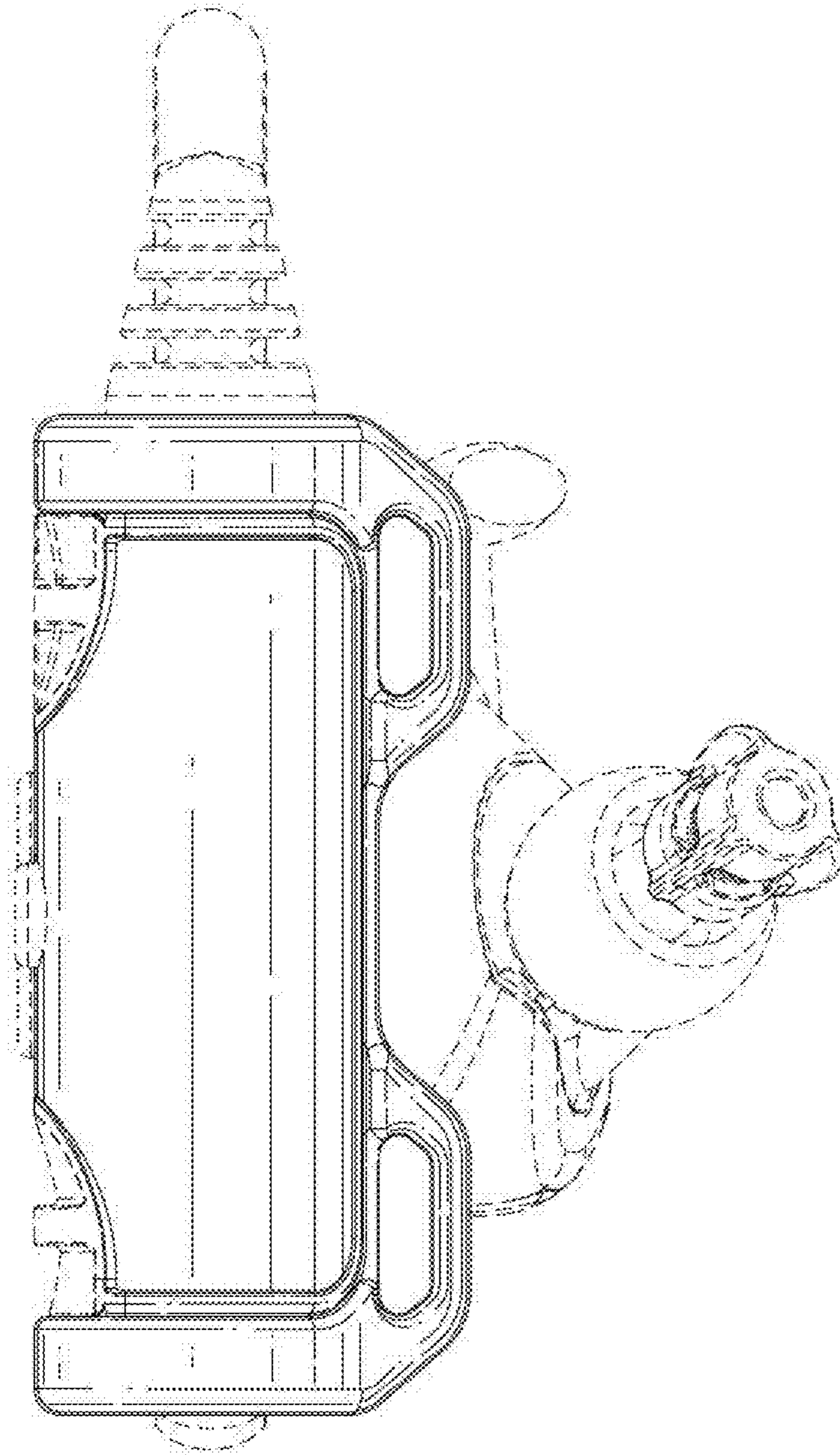
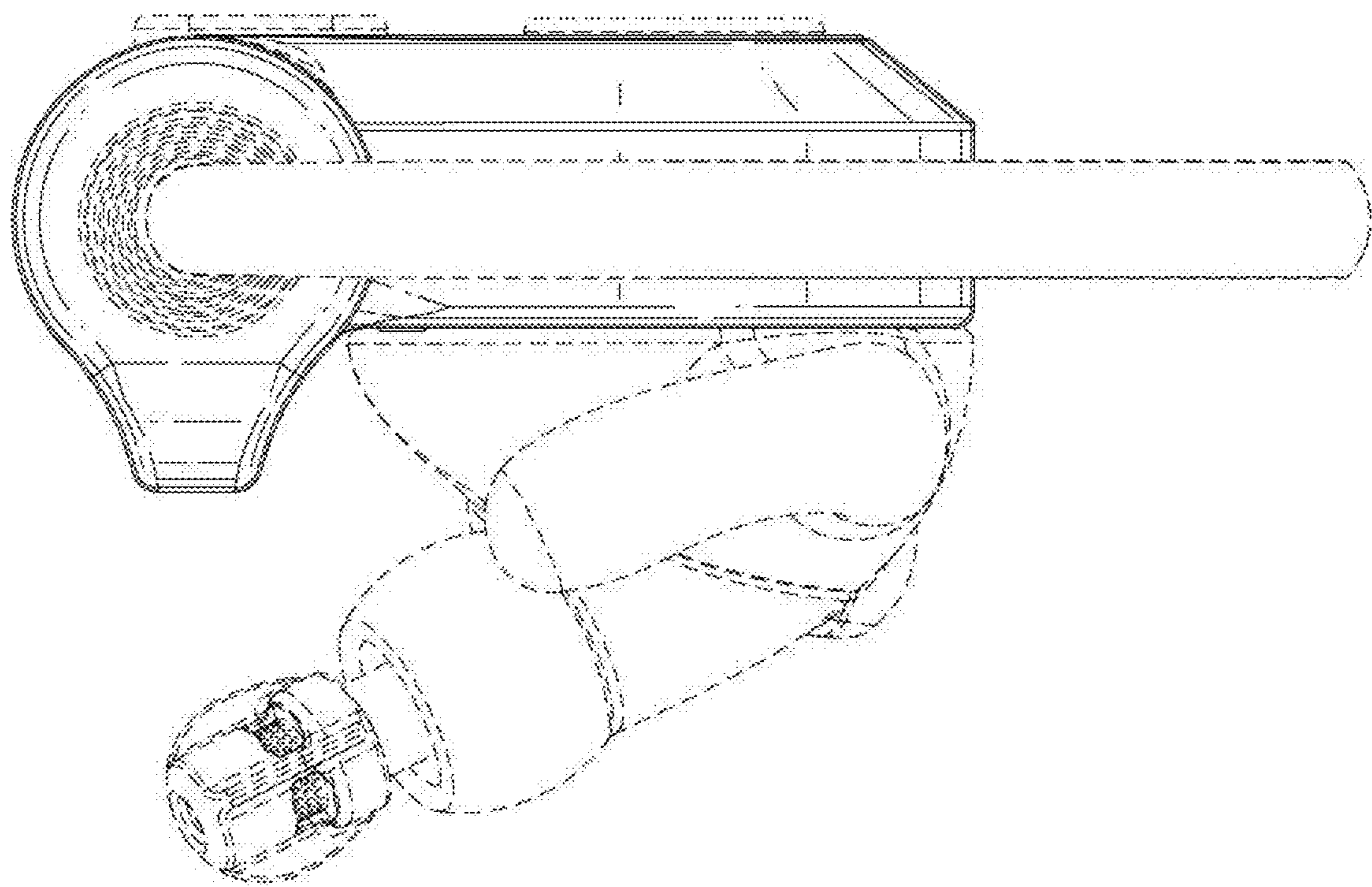
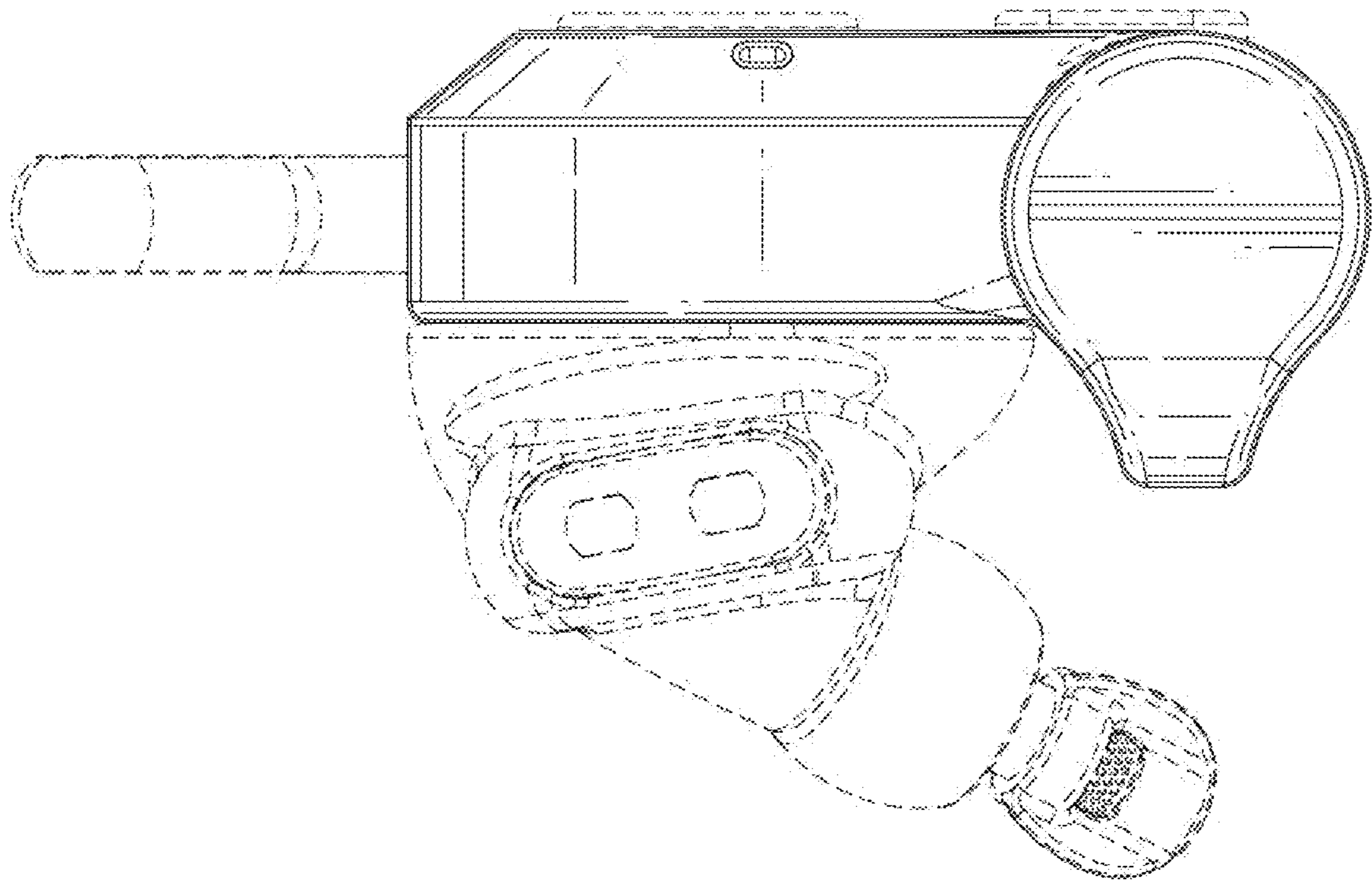


FIG. 6





**FIG. 7**



*FIG. 8*