



US00D895124S

(12) **United States Design Patent**
Wielunski et al.

(10) **Patent No.:** **US D895,124 S**

(45) **Date of Patent:** **** Sep. 1, 2020**

(54) **BIOMETRIC WEARABLE HEALTH AND PERFORMANCE DEVICE FOR ANIMALS**

(71) Applicants: **Alan Wielunski**, Tel Aviv (IL); **Marton Miklos**, Budapest (HU); **Orsolya Korbacska-Kutasi**, Benye (HU)

(72) Inventors: **Alan Wielunski**, Tel Aviv (IL); **Marton Miklos**, Budapest (HU); **Orsolya Korbacska-Kutasi**, Benye (HU)

(**) Term: **15 Years**

(21) Appl. No.: **29/680,044**

(22) Filed: **Feb. 19, 2019**

(51) **LOC (12) Cl.** **24-01**

(52) **U.S. Cl.**
USPC **D24/186**

(58) **Field of Classification Search**
USPC D24/107, 167-169, 186, 187, 321;
D10/70, 98; D14/344
CPC A61B 5/0402; A61B 5/0404; A61B 5/021;
A61B 5/024; A61B 5/02405; A61B
5/02438; A61B 5/681; A61B 2560/0247;
A61B 2560/0462; A61B 2503/40; A01K
29/001; A01K 29/005

See application file for complete search history.

(56) **References Cited**

U.S. PATENT DOCUMENTS

D634,435 S *	3/2011	Chua	D24/186
D725,850 S *	3/2015	Eidelman	D24/167
D726,567 S *	4/2015	De Jong	D10/70
D732,672 S *	6/2015	Lewis, Jr.	D24/187
D752,457 S *	3/2016	So	D10/70
D810,948 S *	2/2018	Wielunski	D24/186

D812,499 S *	3/2018	Kuh	D10/70
2014/0196673 A1 *	7/2014	Menkes	A61B 5/0002 119/859
2014/0257066 A1 *	9/2014	Suess	A61B 5/150305 600/365
2019/0053470 A1 *	2/2019	Singh	A01K 29/005

* cited by examiner

Primary Examiner — Anhdao Doan

(74) *Attorney, Agent, or Firm* — Ashok Tankha

(57) **CLAIM**

The ornamental design for a biometric wearable health and performance device for animals, as shown and described.

DESCRIPTION

FIG. 1 is a bottom front perspective view of a biometric wearable health and performance device for animal, showing an attachment element and a utility compartment flap in an open position;

FIG. 2 is a top rear perspective view thereof;

FIG. 3 is a right side elevation view thereof;

FIG. 4 is a front elevation view thereof;

FIG. 5 is a left side elevation view thereof;

FIG. 6 is a rear elevation view thereof;

FIG. 7 is a bottom view thereof;

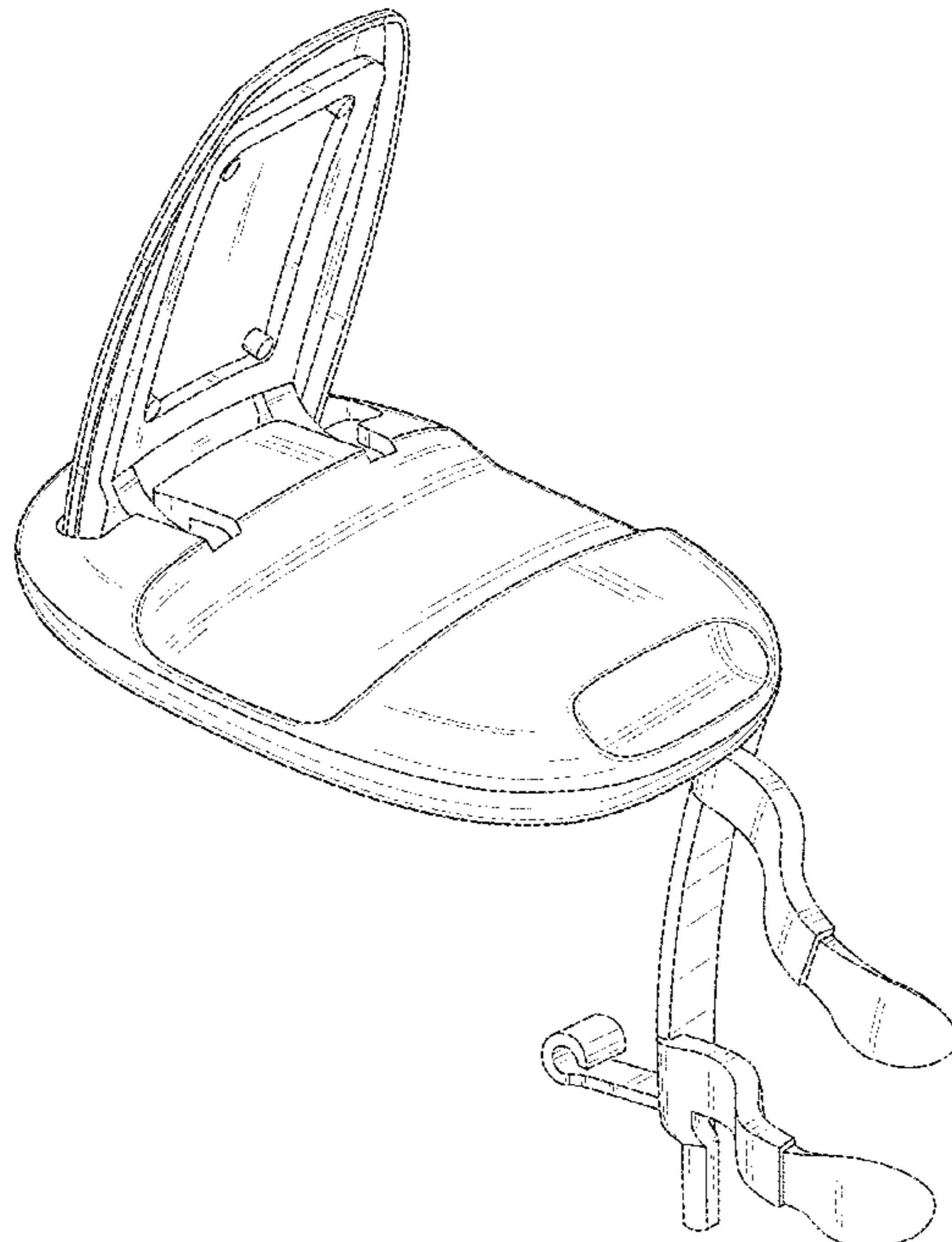
FIG. 8 is a top plan view thereof;

FIG. 9 is a right side elevation view thereof, showing the attachment element and the utility compartment flap in closed positions; and,

FIG. 10 is a top rear perspective view thereof, showing the attachment element attached to the hair of an animal with the utility compartment flap in a closed position.

The broken lines depicting a portion of an animal in FIG. 10 represent an environment; the broken lines form no part of the claimed design.

1 Claim, 10 Drawing Sheets



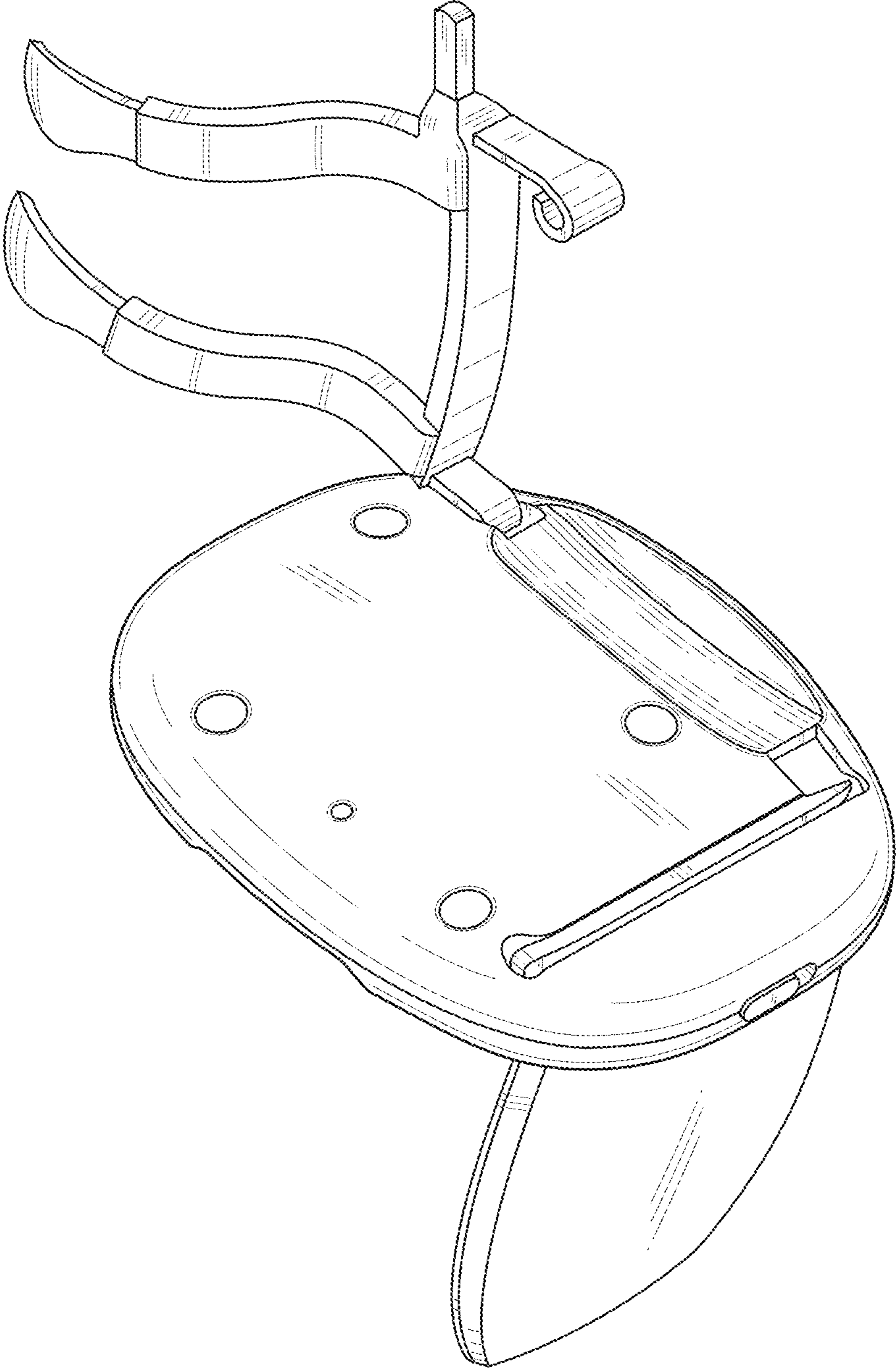


FIG. 1

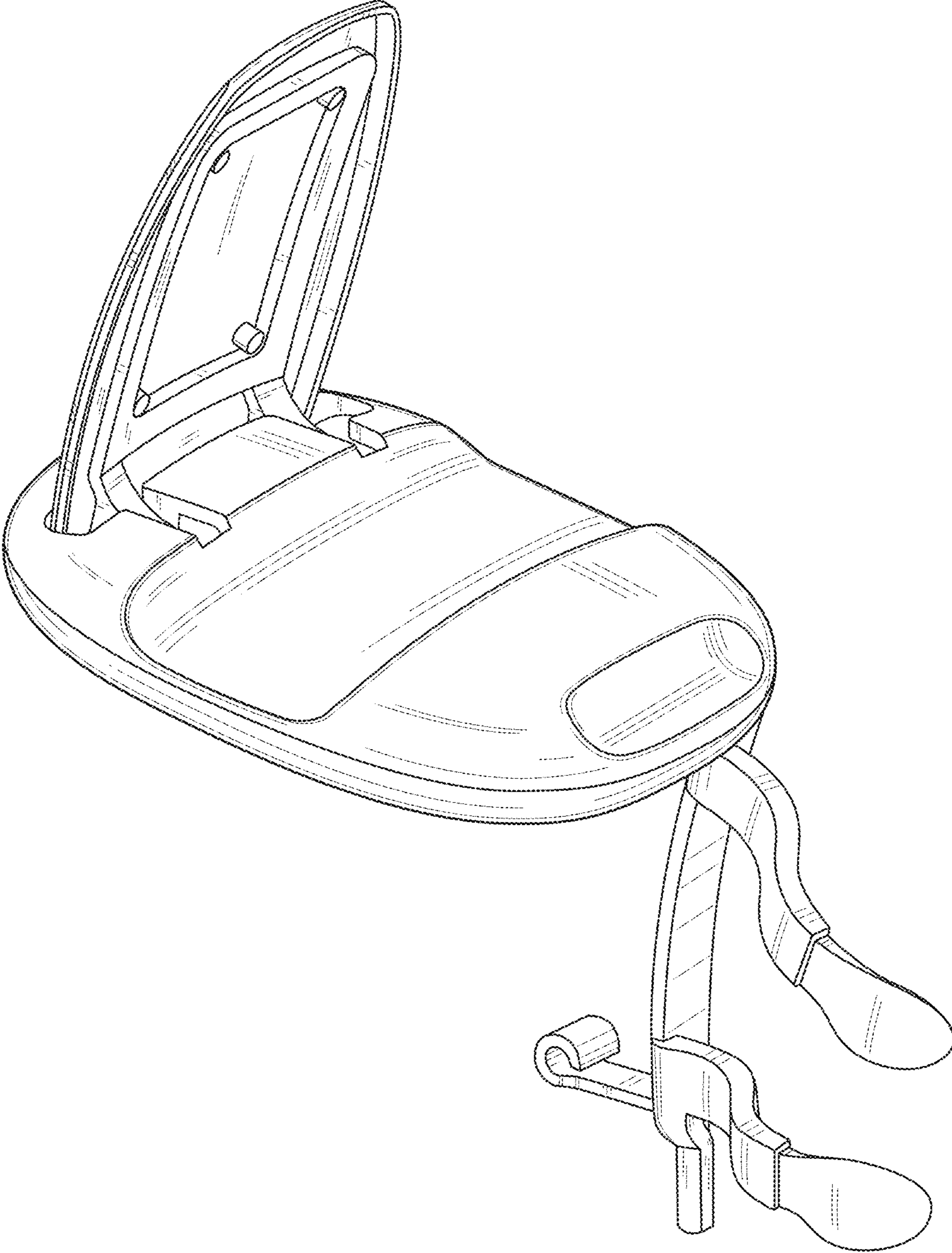


FIG. 2

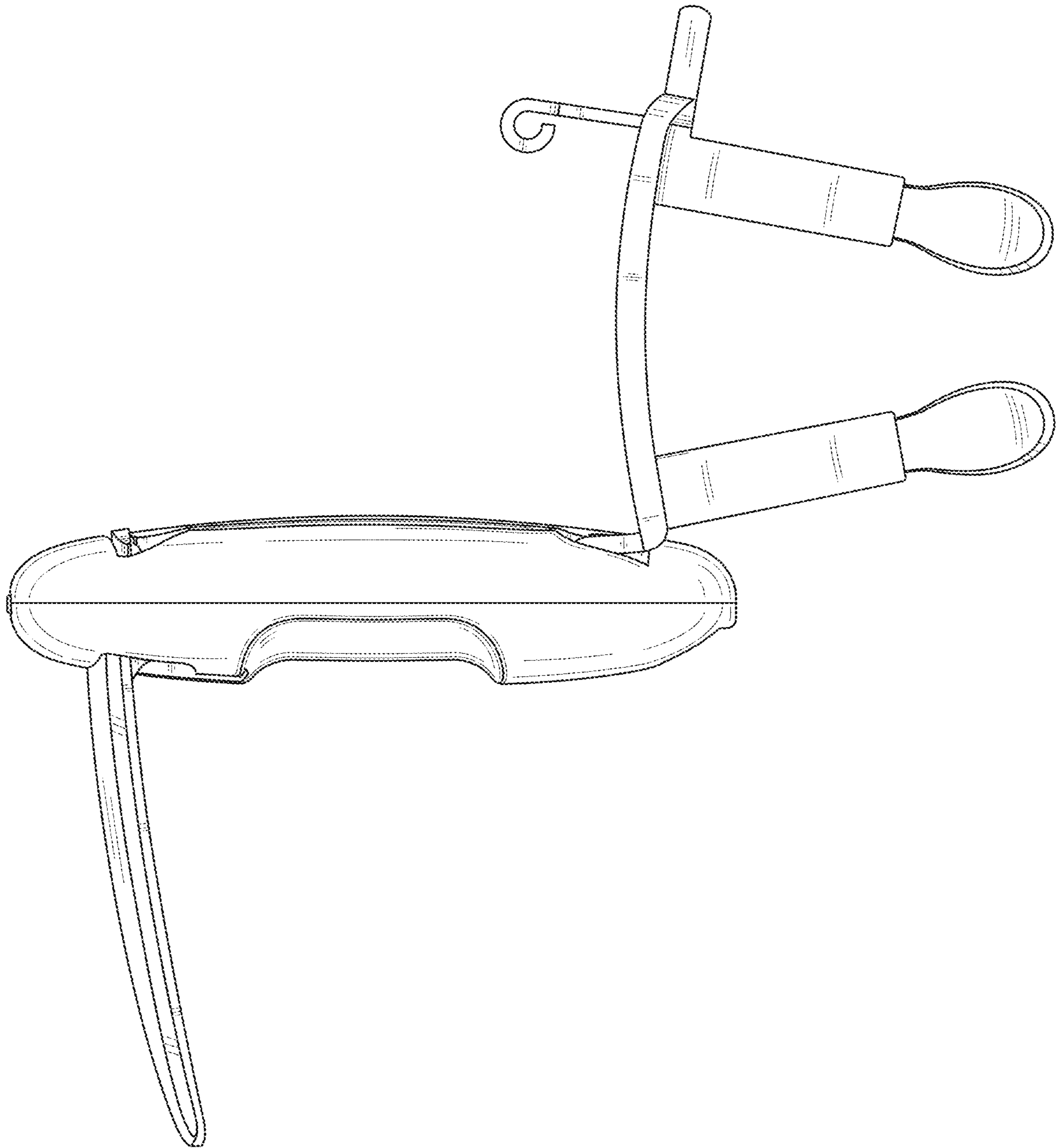


FIG. 3

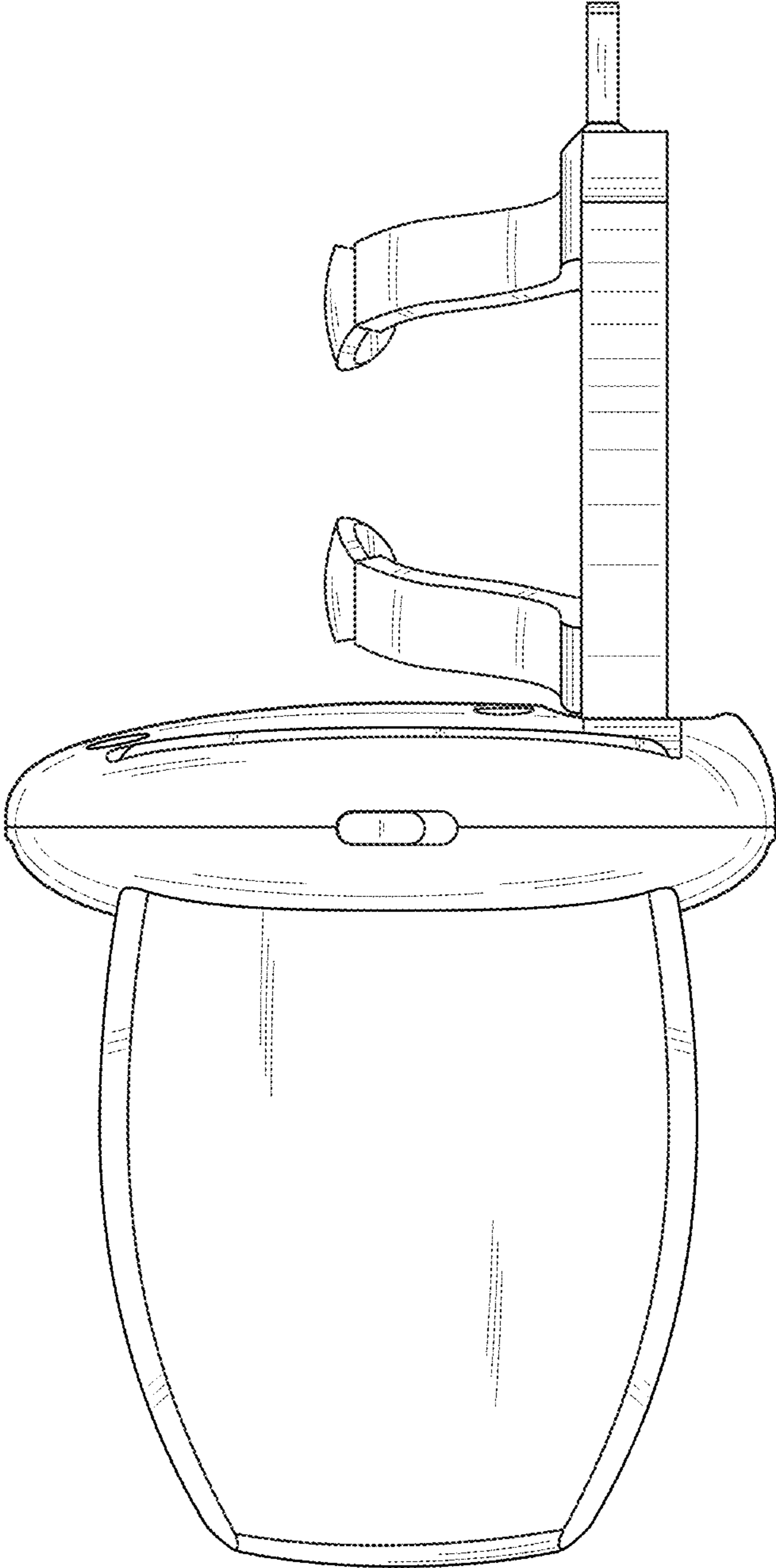


FIG. 4

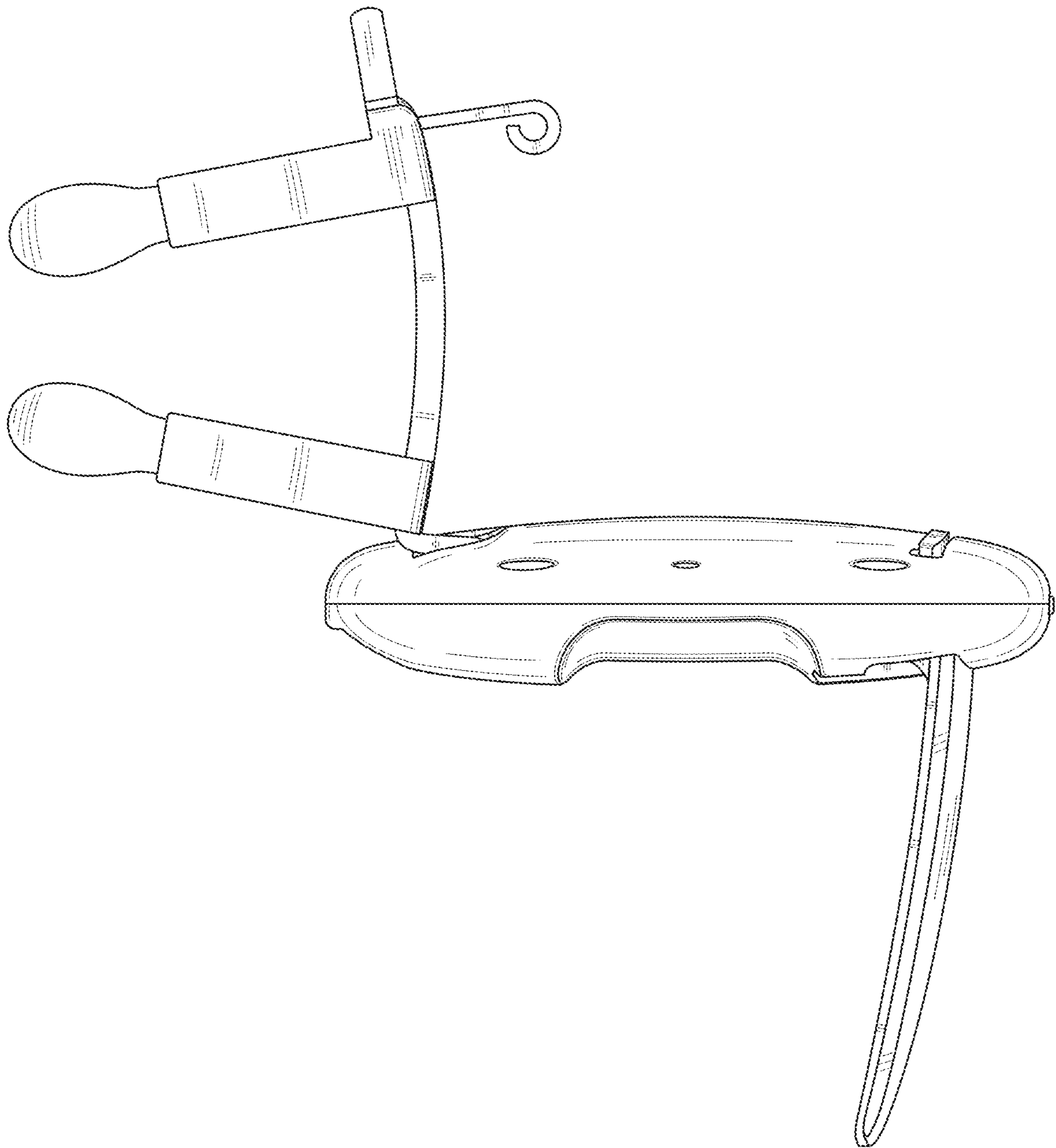


FIG. 5

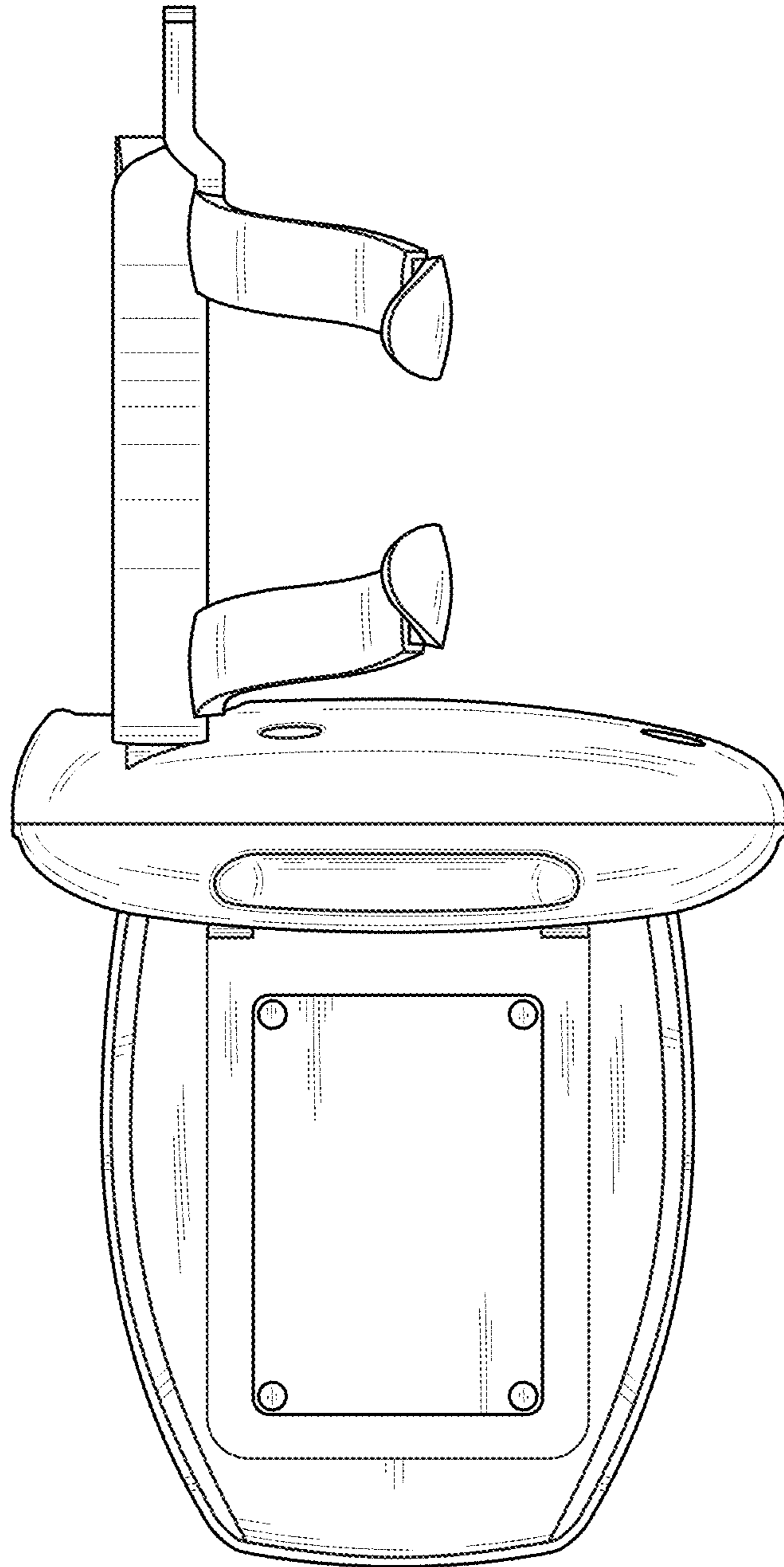


FIG. 6

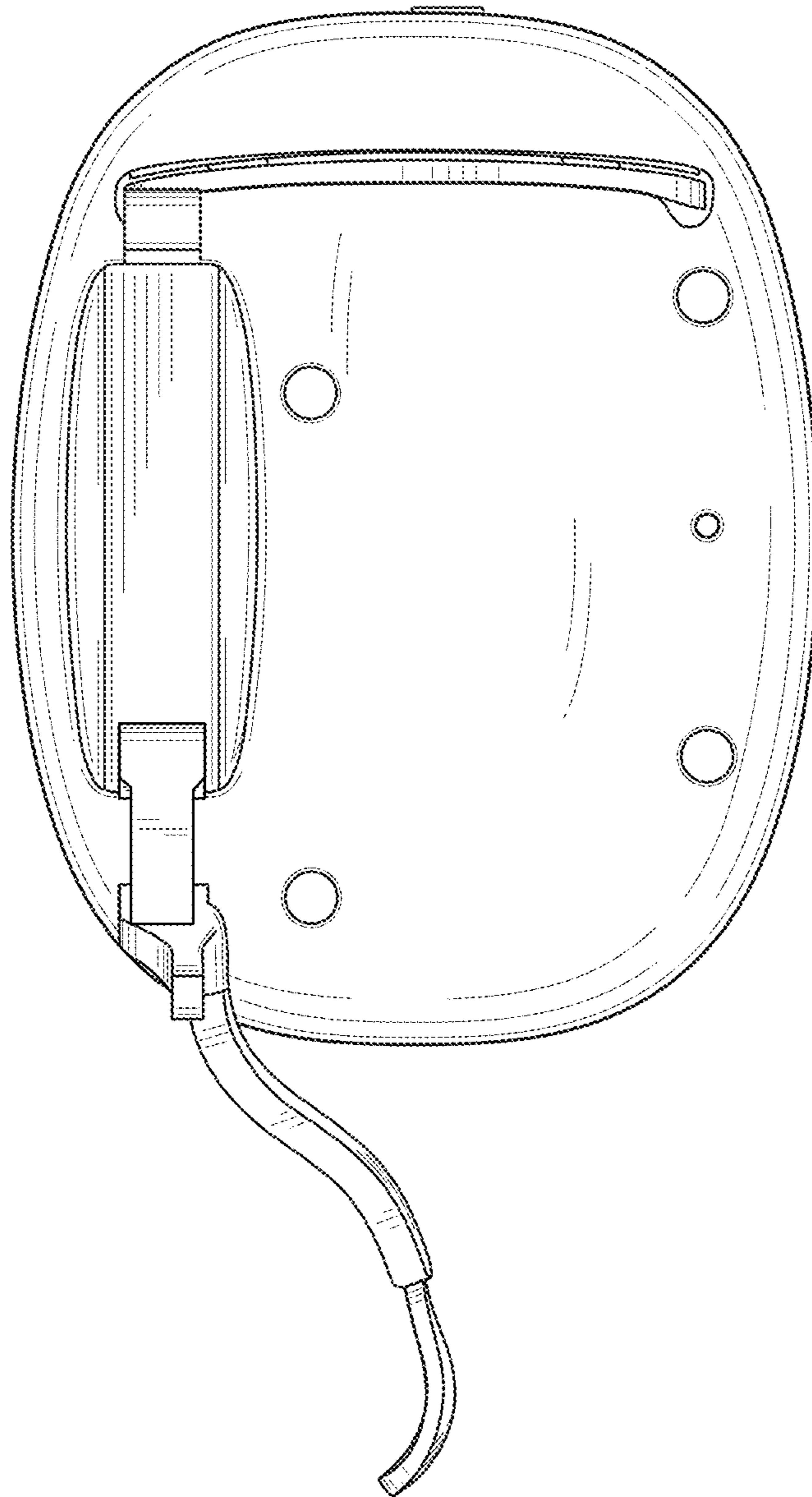


FIG. 7

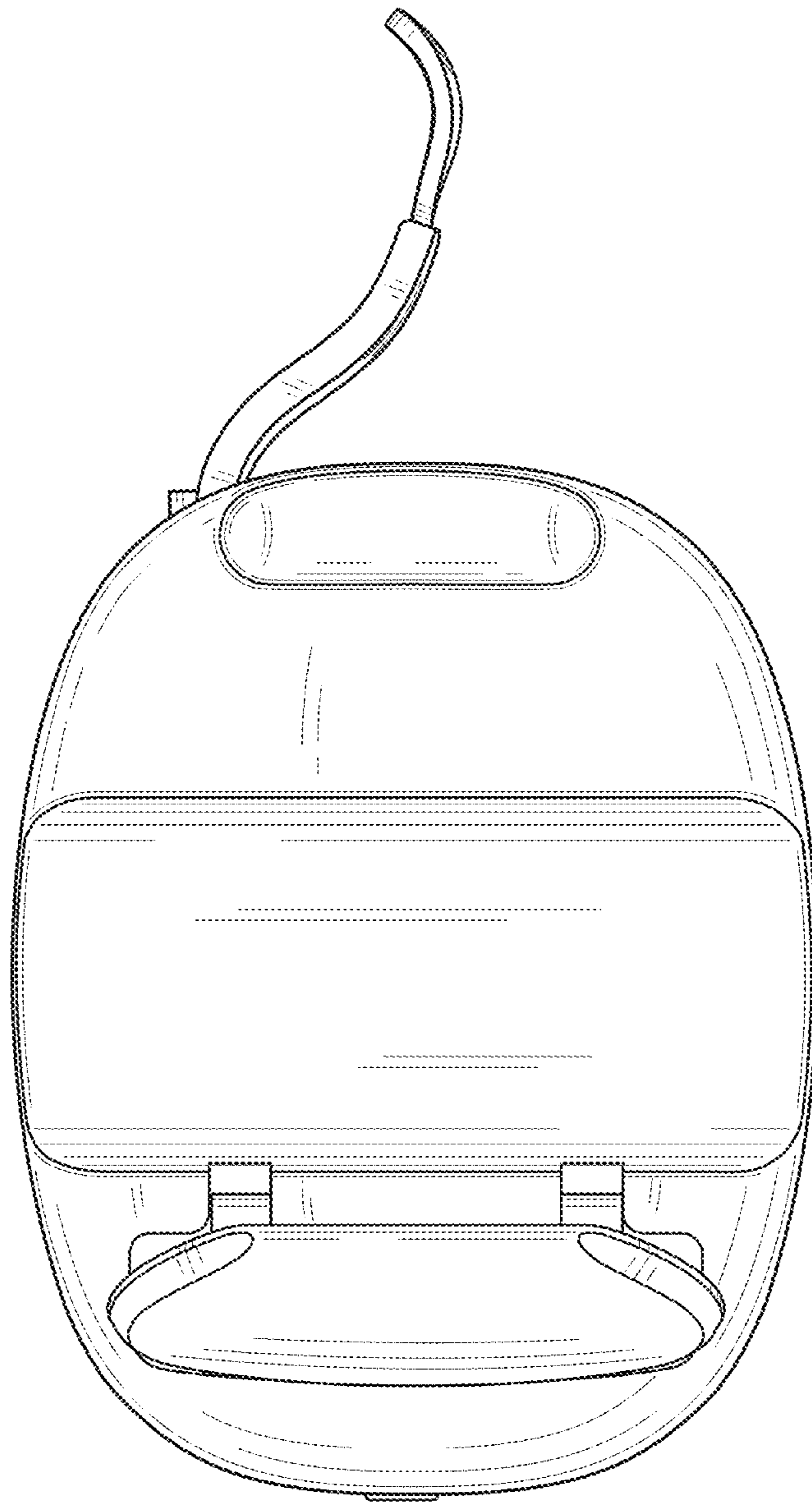


FIG. 8

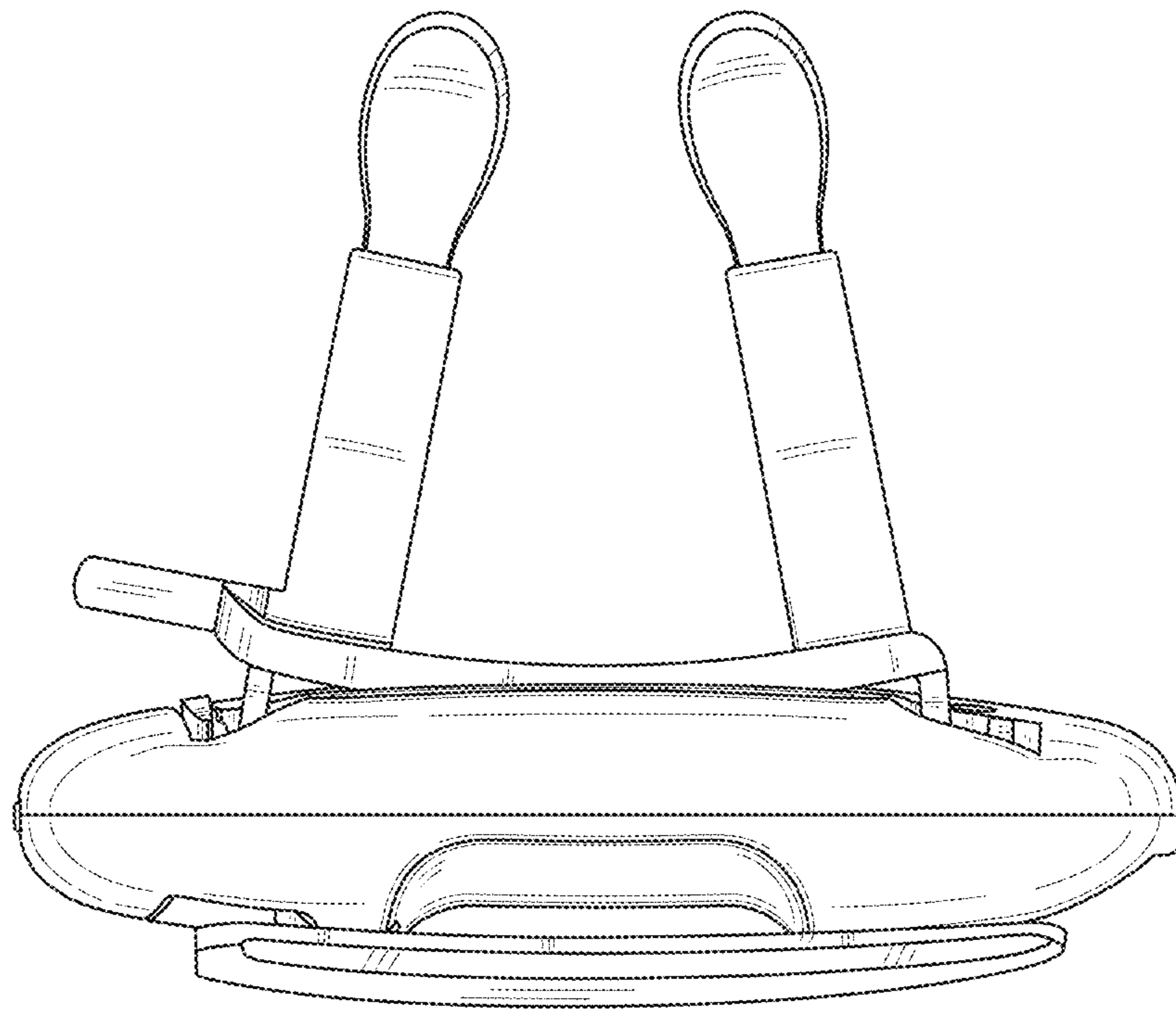


FIG. 9

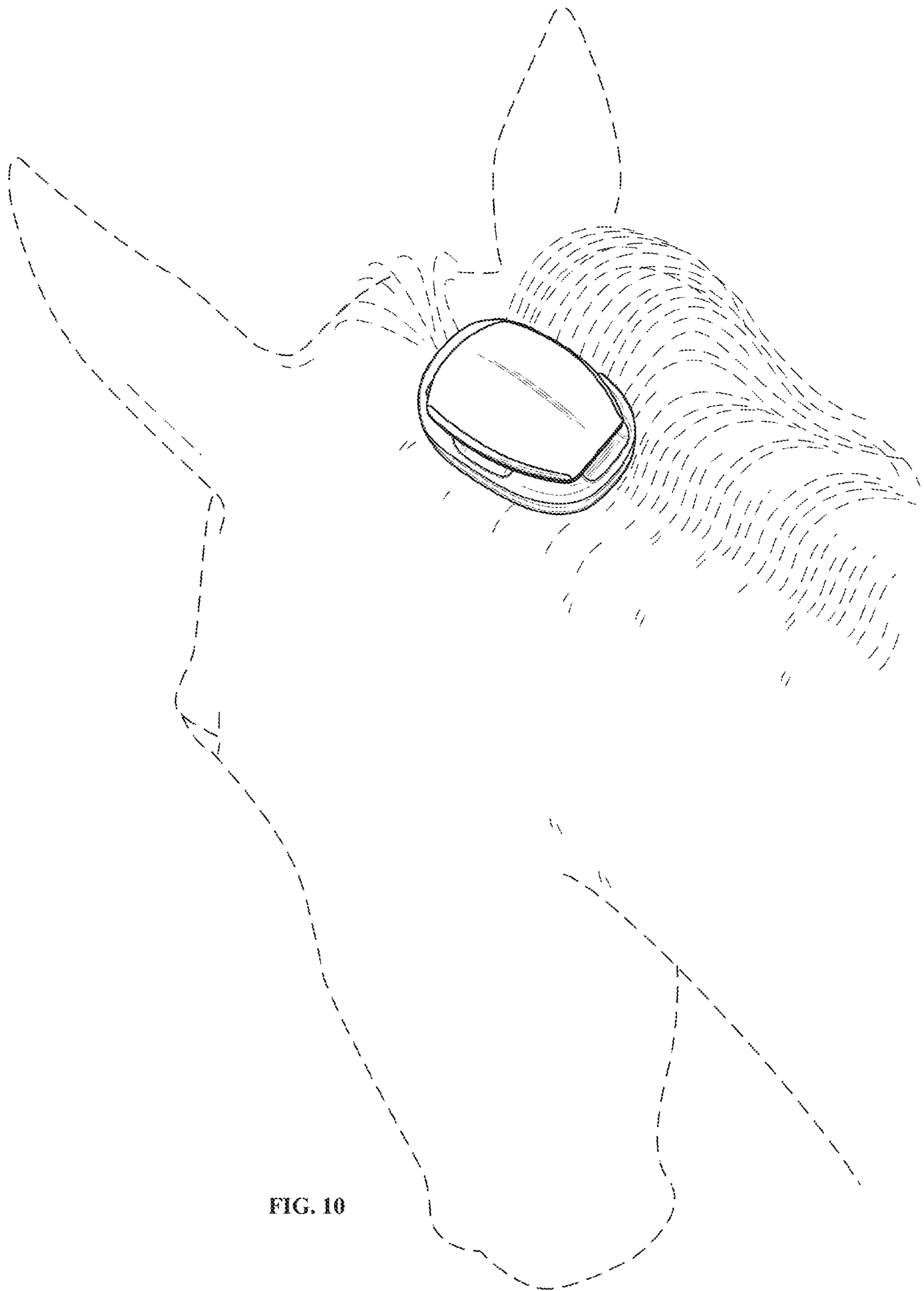


FIG. 10