



US00D895122S

(12) **United States Design Patent** (10) **Patent No.:** **US D895,122 S**
Benedikter et al. (45) **Date of Patent:** **** Sep. 1, 2020**

- (54) **PORTABLE PATIENT MONITOR**
- (71) Applicant: **KONINKLIJKE PHILIPS N.V.**,
Eindhoven (NL)
- (72) Inventors: **Fabian Benedikter**, Eindhoven (NL);
Ceren Bagatar, Eindhoven (NL)
- (73) Assignee: **KONINKLIJKE PHILIPS N.V.**,
Eindhoven (NL)
- (**) Term: **15 Years**
- (21) Appl. No.: **29/684,801**
- (22) Filed: **Mar. 25, 2019**

CPC A61B 5/742; A61B 5/7425; A61B 5/6898;
A61B 5/02405; A61B 5/02411; A61B
5/02427; A61B 5/02438; A61B 5/0002;
A61B 5/002; A61B 5/04325
See application file for complete search history.

(56) **References Cited**

U.S. PATENT DOCUMENTS

D606,659	S	*	12/2009	Kiani	D24/186
D697,214	S	*	1/2014	Rosenfeldt	D24/186
D706,239	S	*	6/2014	Chen	D14/186
D711,003	S	*	8/2014	Chen	D24/186
D711,004	S	*	8/2014	Chen	D24/186
D724,088	S	*	3/2015	Giometti	D14/420
D734,858	S	*	7/2015	Weichert	D24/186
D734,859	S	*	7/2015	Weichert	D24/186
D735,343	S	*	7/2015	Dorsey	D24/186
D783,836	S	*	4/2017	Schon	D24/186
D797,918	S	*	9/2017	Genstler	D24/107

* cited by examiner

Primary Examiner — Michael A. Pratt

(57) **CLAIM**

The ornamental design for a portable patient monitor, as shown.

DESCRIPTION

FIG. 1 is a perspective view showing our design;
FIG. 2 is a front elevational view thereof;
FIG. 3 is a rear elevational view thereof;
FIG. 4 is a right side elevational view thereof;
FIG. 5 is a left side elevational view thereof;
FIG. 6 is a top plan view thereof; and,
FIG. 7 is a bottom plan view thereof.

1 Claim, 4 Drawing Sheets

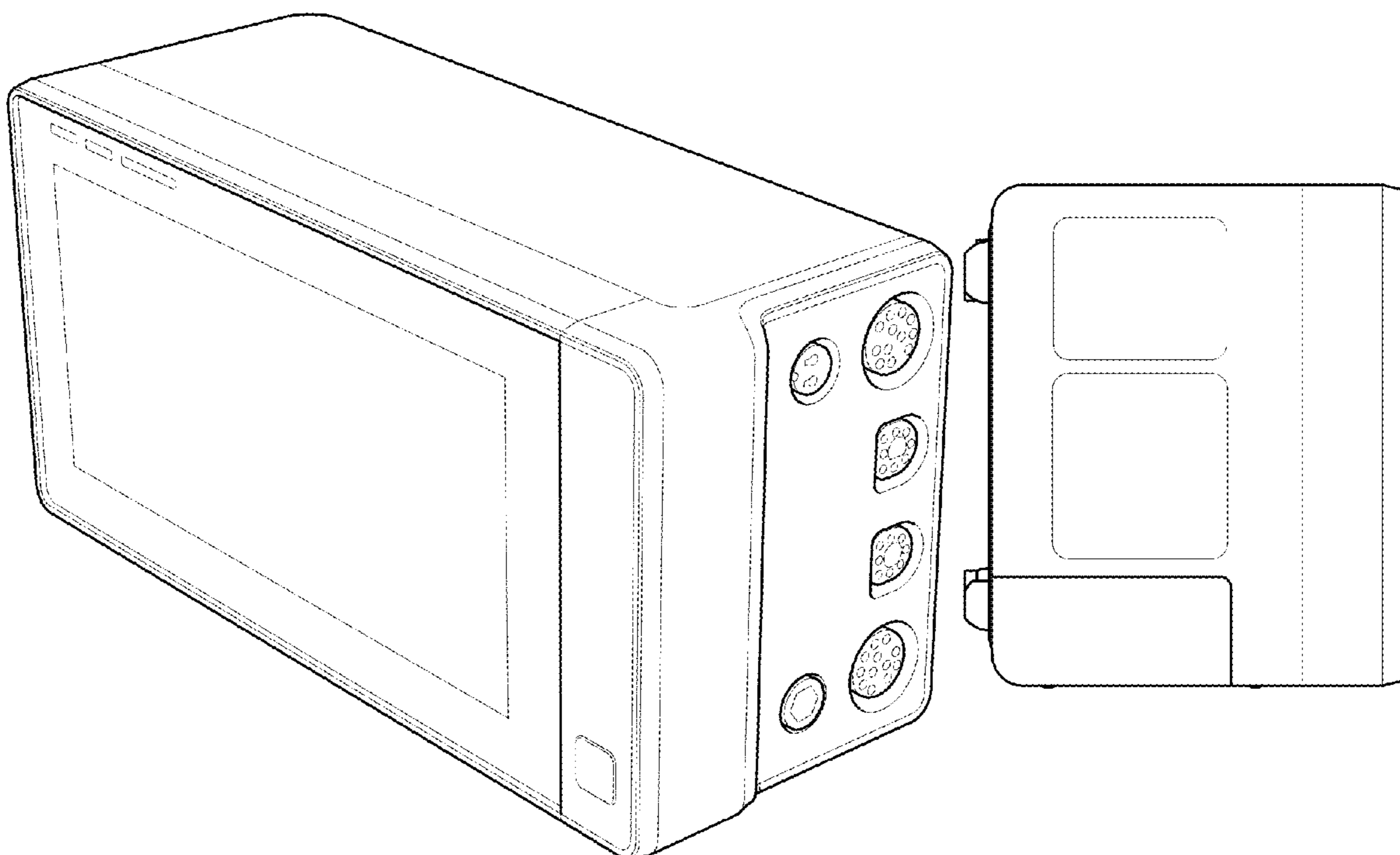
Related U.S. Application Data

- (62) Division of application No. 35/503,982, filed on May 16, 2017 (U.S. filing date under 35 U.S.C. 384), and having an international filing date of May 16, 2017, now Pat. No. Des. 844,147.

(30) **Foreign Application Priority Data**

Dec. 26, 2016 (EM) 003541036-0002

- (51) **LOC (12) Cl.** **24-02**
- (52) **U.S. Cl.**
USPC **D24/177**
- (58) **Field of Classification Search**
USPC D24/165–168, 186, 187, 107, 185, 23;
D10/70, 75, 98; D14/126, 336, 371, 374,
D14/448



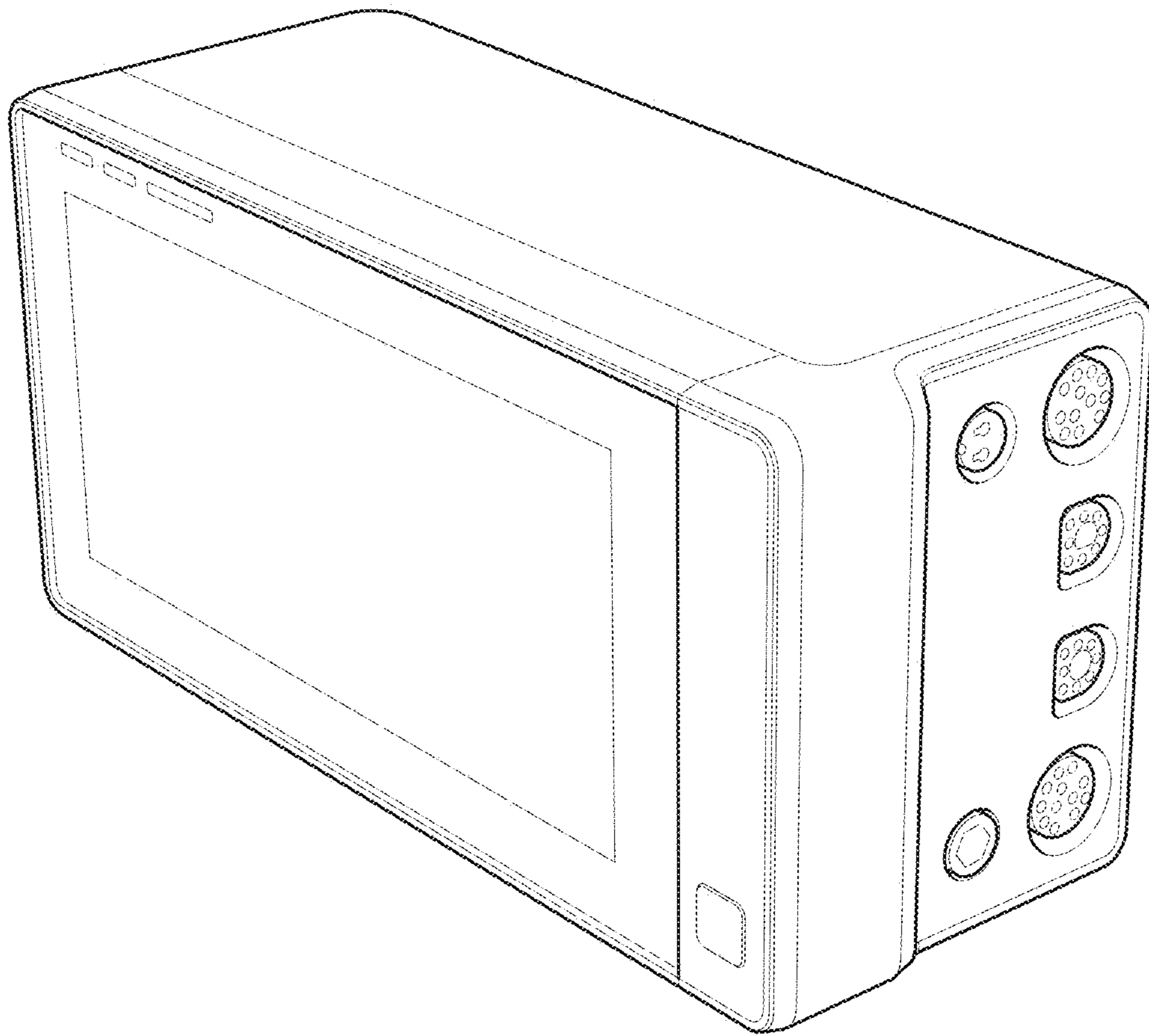


FIG. 1

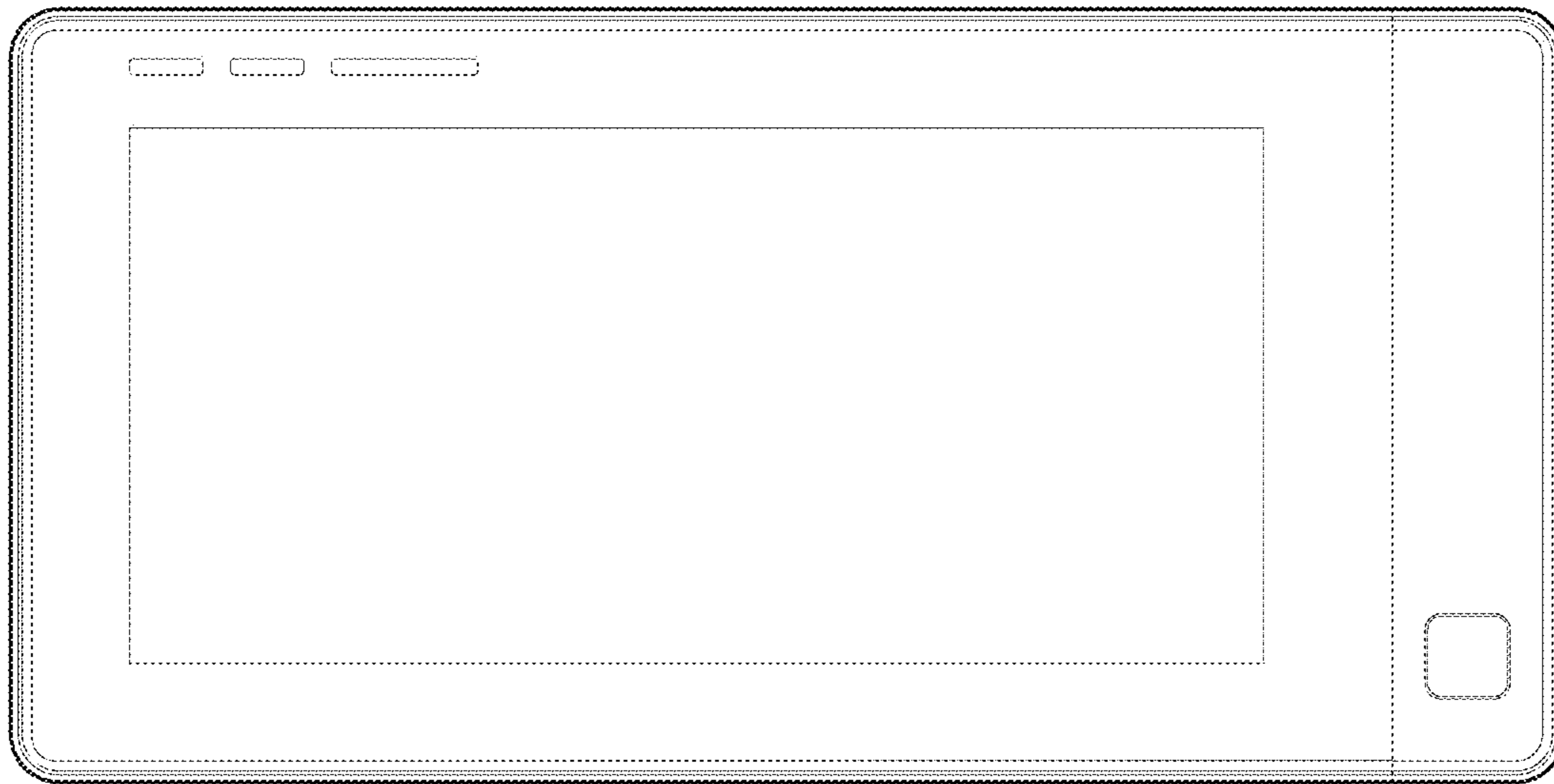


FIG. 2

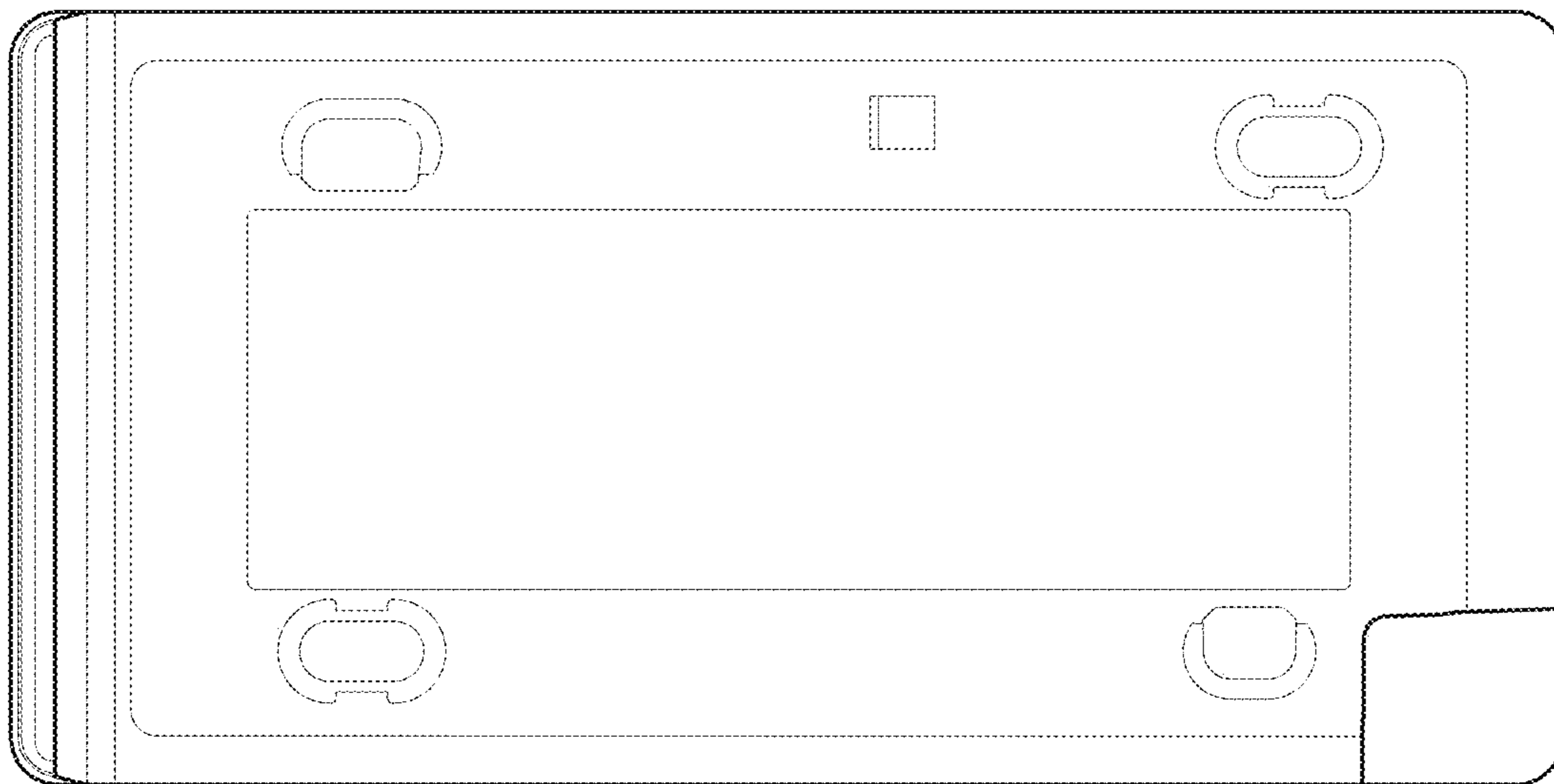


FIG. 3

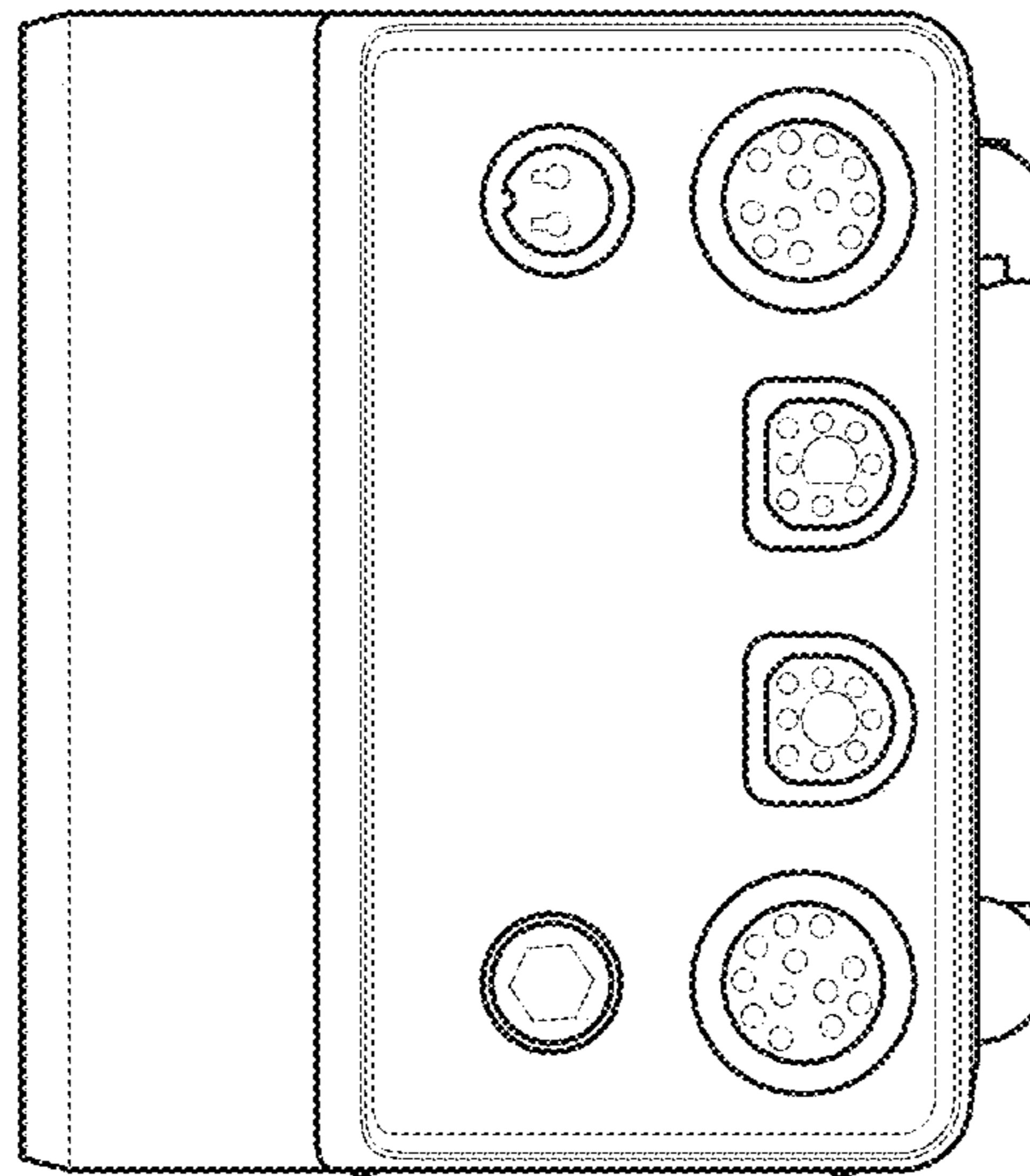


FIG. 4

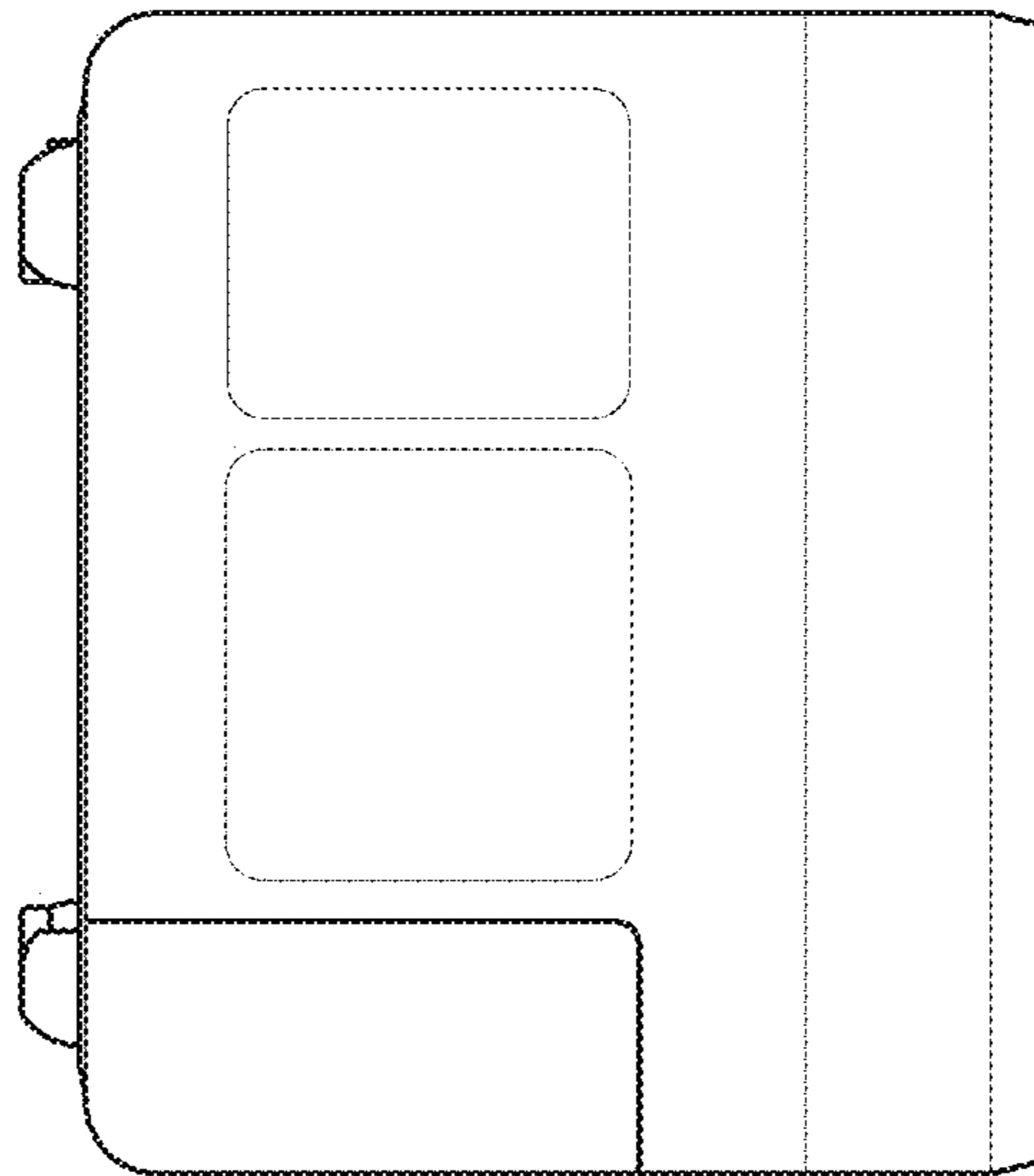


FIG. 5

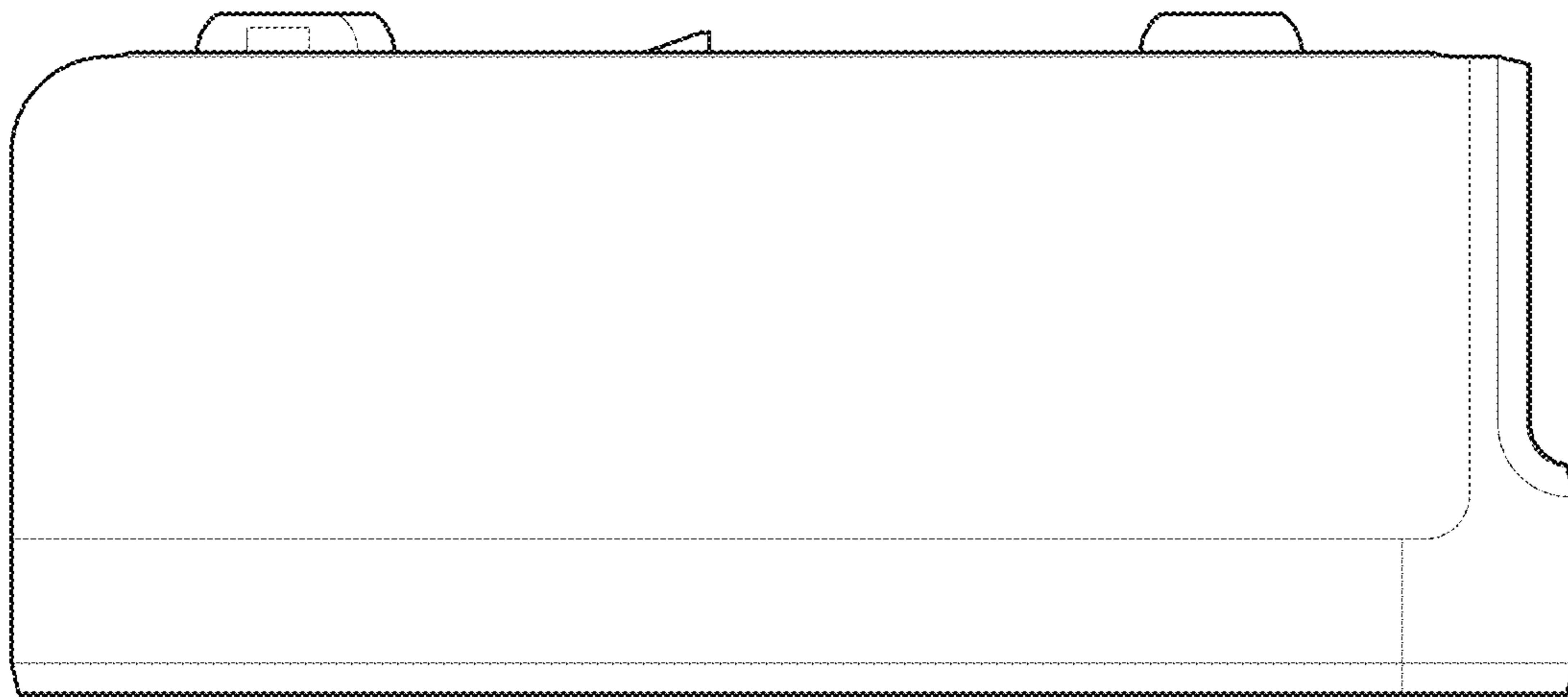


FIG. 6

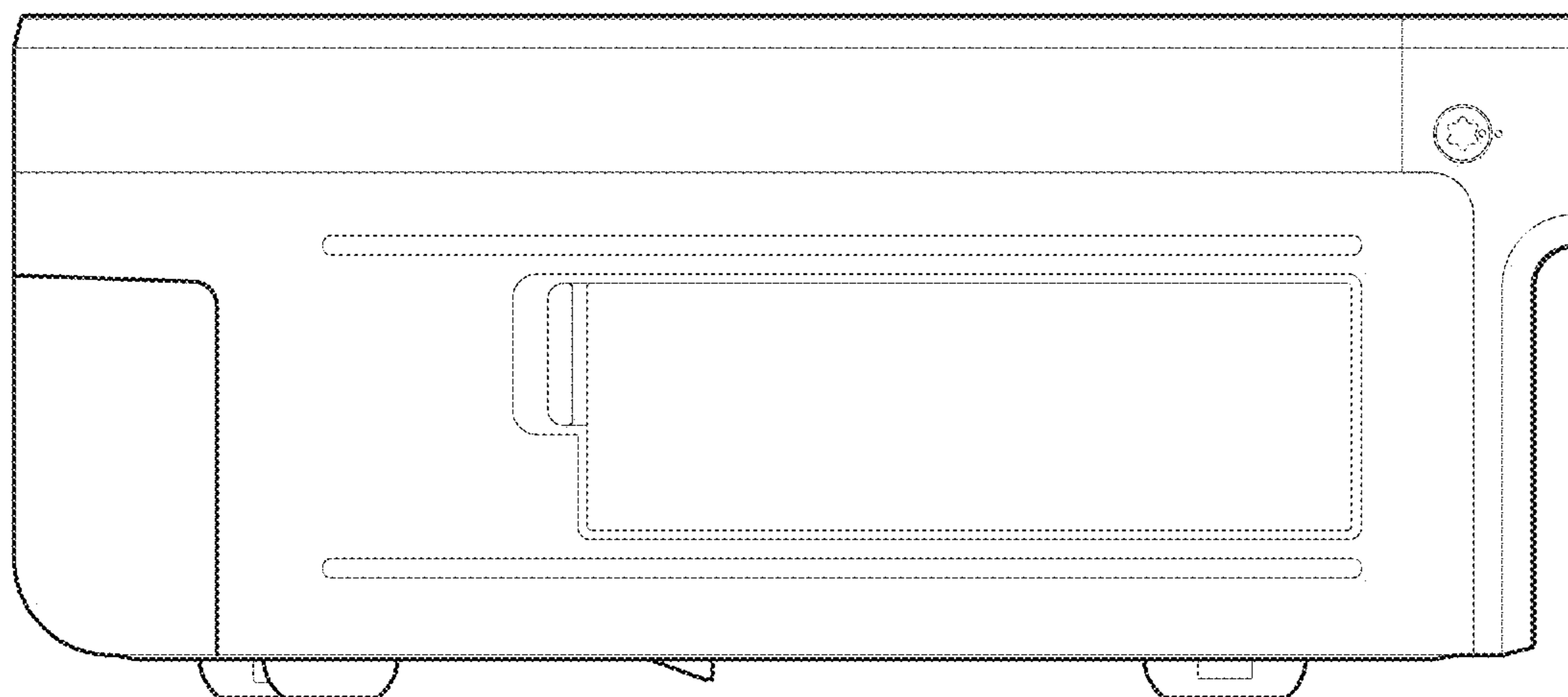


FIG. 7