



US00D895121S

(12) **United States Design Patent** (10) **Patent No.:** **US D895,121 S**
Gydesen et al. (45) **Date of Patent:** **** Sep. 1, 2020**

(54) **DENTAL COMPOSITION UNIT DOSE APPLICATOR**

D657,877 S * 4/2012 Pauser D24/176
8,616,879 B2 * 12/2013 Dubey A61C 5/62
433/80

(71) Applicant: **3M INNOVATIVE PROPERTIES COMPANY**, St. Paul, MN (US)

D800,316 S * 10/2017 Evers D24/176
2001/0009754 A1 * 7/2001 Dragan B05C 17/00593
433/89

(72) Inventors: **Henry C. Gydesen**, Oakdale, MN (US); **Marc Peuker**, Schoendorf (DE); **Mathias Bertl**, Wildsteig (DE)

2012/0115103 A1 * 5/2012 Pauser A61C 5/62
433/90
2015/0374459 A1 * 12/2015 Essler A61C 5/66
433/89

(73) Assignee: **3M INNOVATIVE PROPERTIES COMPANY**, St. Paul, MN (US)

* cited by examiner

(**) Term: **15 Years**

Primary Examiner — Wan Laymon

(21) Appl. No.: **29/644,868**

(74) *Attorney, Agent, or Firm* — 3M Innovative Properties Compa

(22) Filed: **Apr. 20, 2018**

(51) **LOC (12) Cl.** **24-02**

(52) **U.S. Cl.**

USPC **D24/176**

(58) **Field of Classification Search**

USPC D24/176–177, 221, 112–114, 222;
433/80, 89–90

CPC A61C 5/62; A61C 5/66; A61C 5/68; A61C
9/0026; B05C 17/005; A23G 9/24; A23G
9/245

See application file for complete search history.

(56) **References Cited**

U.S. PATENT DOCUMENTS

5,860,806 A * 1/1999 Pranita, Jr. A61C 5/60
433/80

6,328,715 B1 * 12/2001 Dragan A23G 9/24
604/232

(57) **CLAIM**

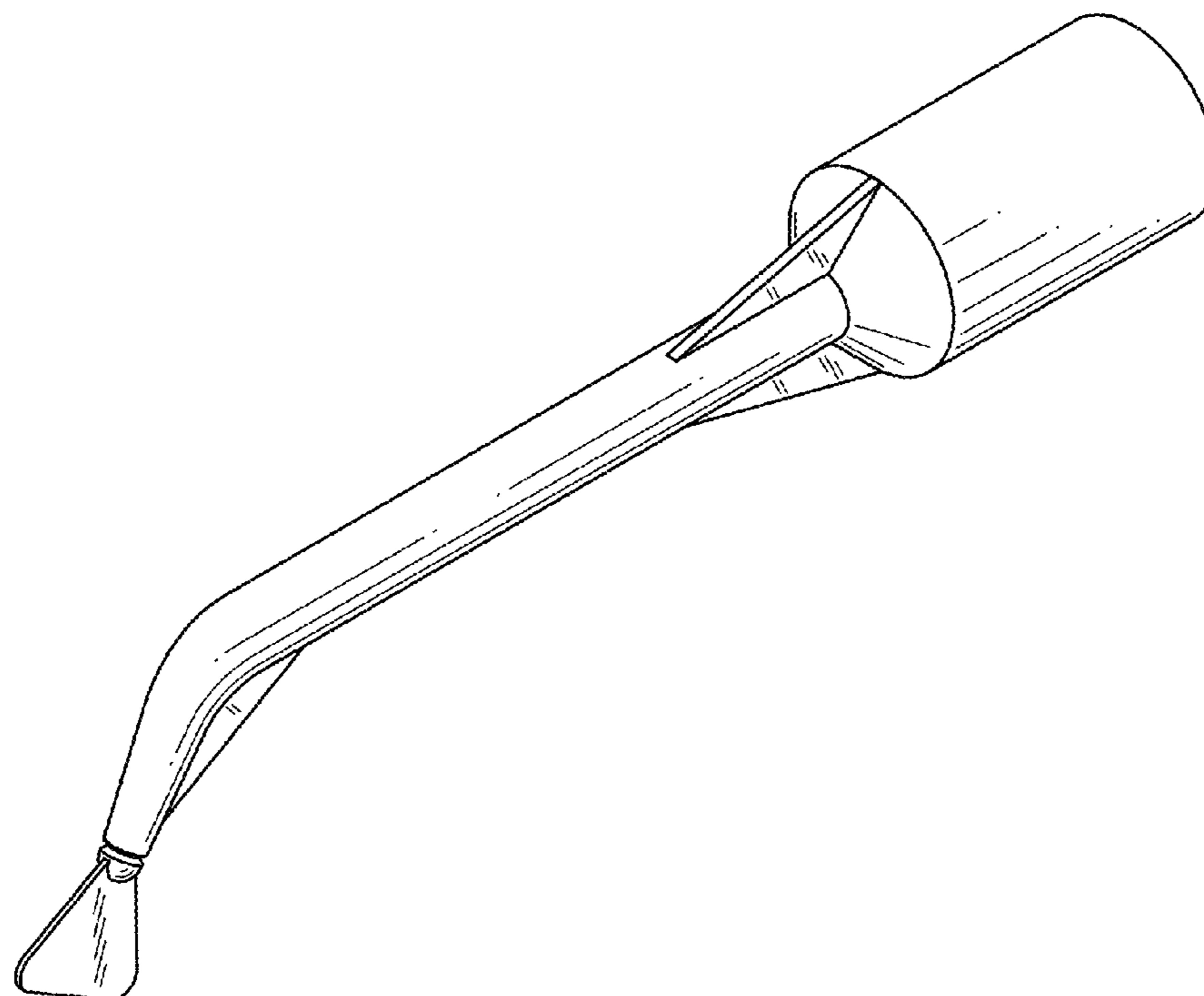
The ornamental design for a dental composition unit dose applicator, as shown and described.

DESCRIPTION

FIG. 1 is a perspective view of a dental composition unit dose applicator showing our new design; FIG. 2 is a right-side view thereof, the left-side view being a mirror image thereof; FIG. 3 is a top view thereof; FIG. 4 is a bottom view thereof; FIG. 5 is the front view thereof; and, FIG. 6 is a rear view thereof.

The broken lines in the drawings are shown for illustrative purposes only and form no part of the claimed design. In addition, the surface shading illustrated in the drawings is provided merely to highlight contour of design; it is not intended to be illustrative of texture or gloss.

1 Claim, 2 Drawing Sheets



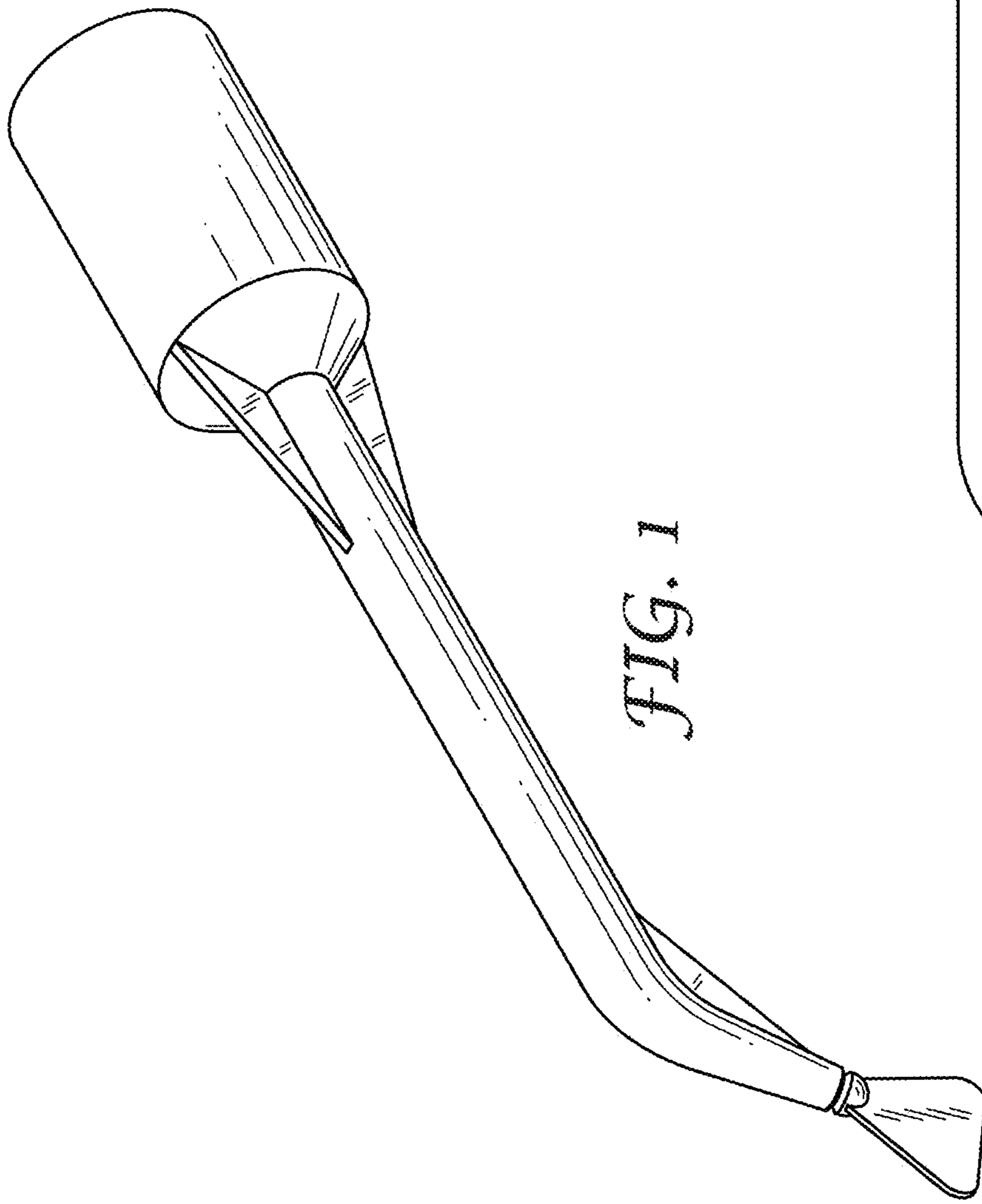


FIG. 1

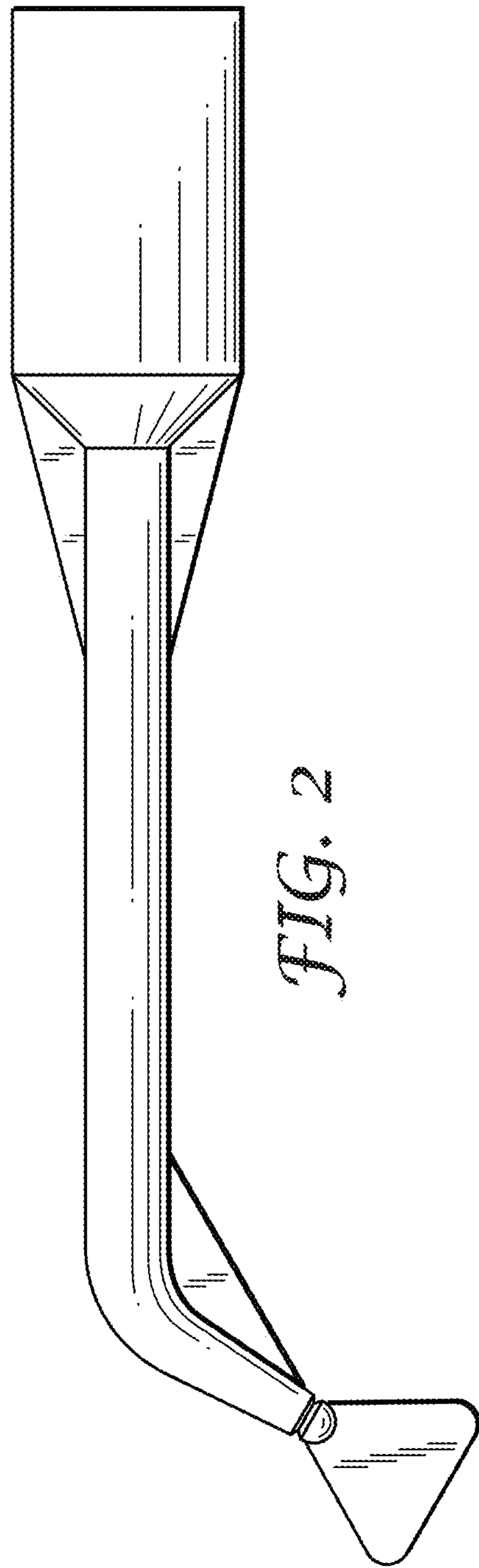


FIG. 2

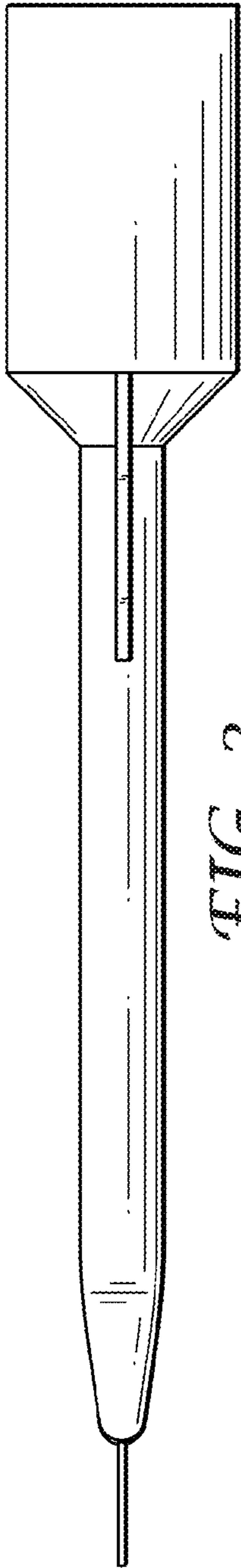


FIG. 3

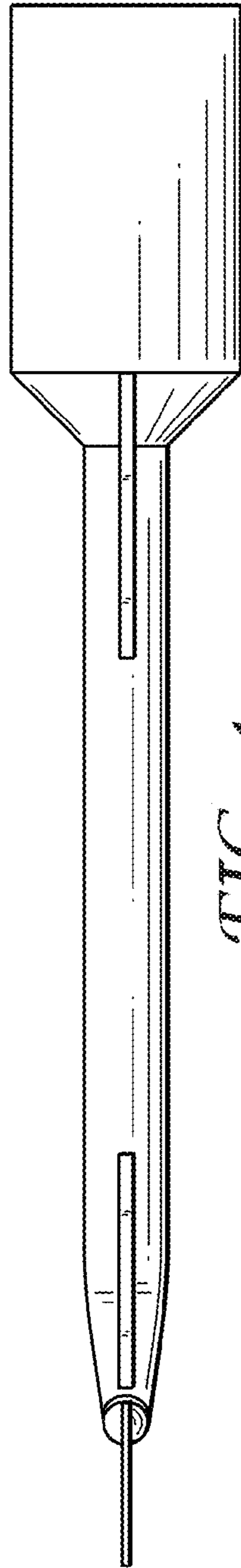


FIG. 4

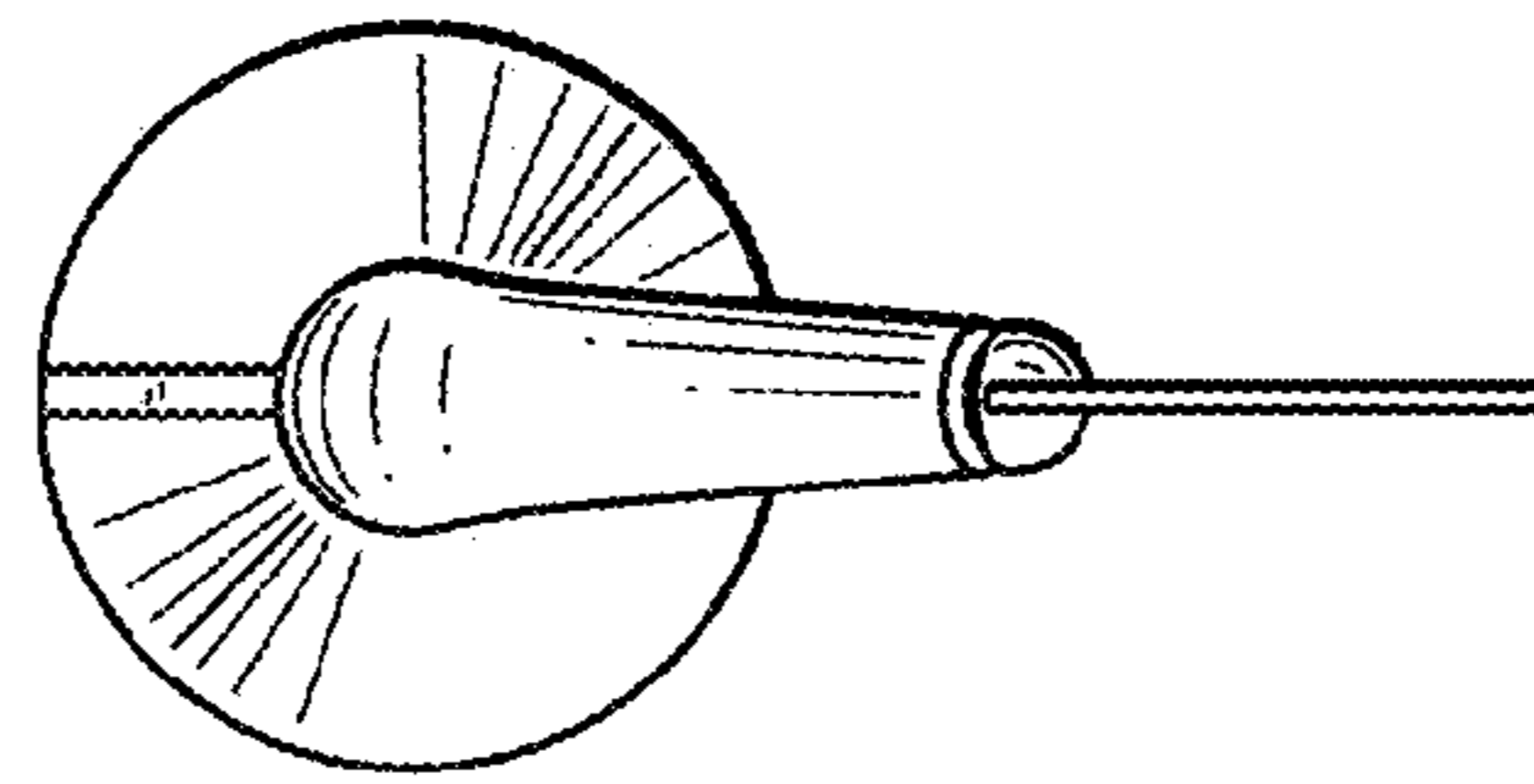


FIG. 5

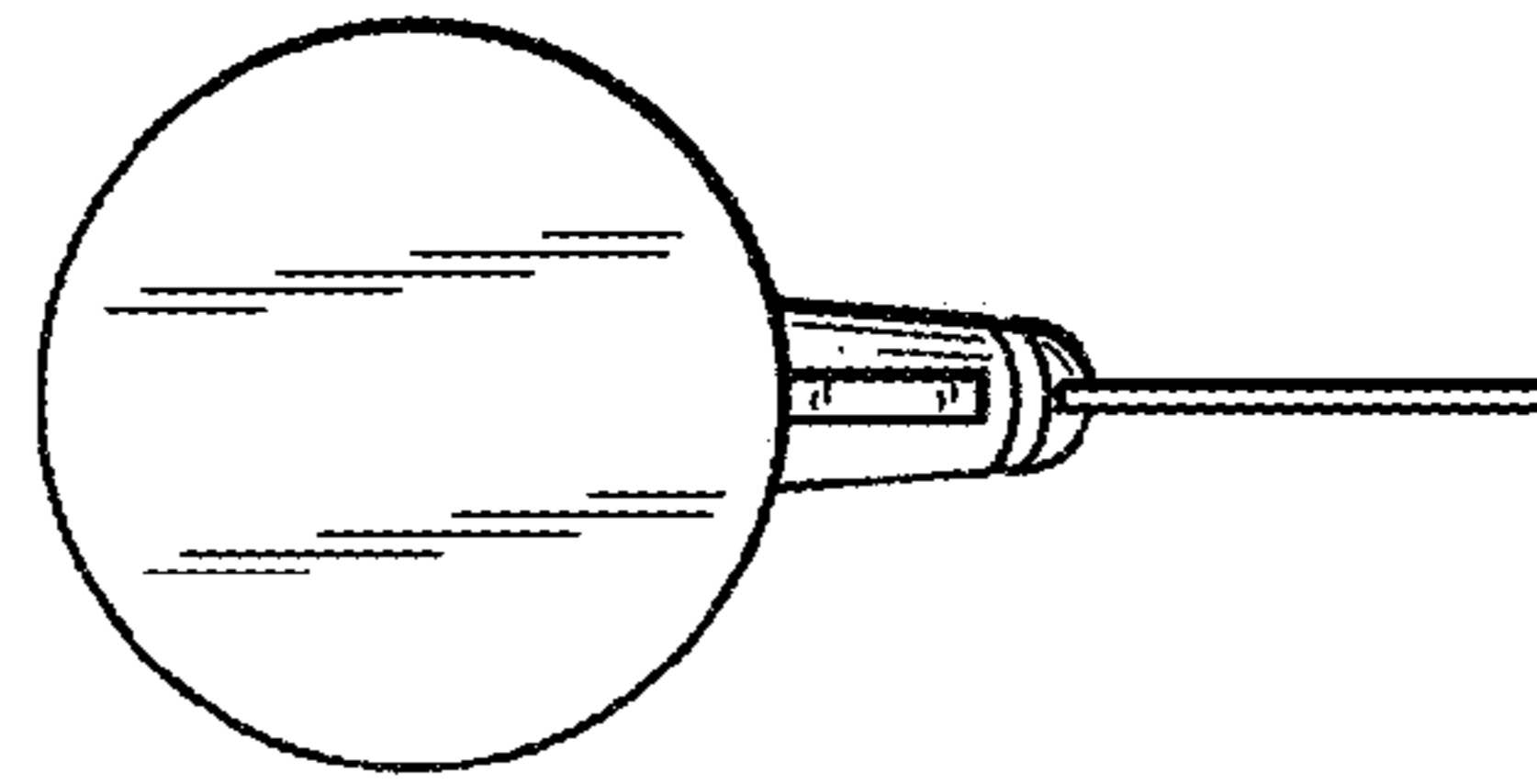


FIG. 6