



US00D895120S

(12) **United States Design Patent** (10) **Patent No.:** **US D895,120 S**
Hwang (45) **Date of Patent:** **** Sep. 1, 2020**

(54) **ELECTROCARDIOGRAPHIC DEVICE**

(71) Applicant: **WELLBEINGSOFT INC.**, Daejeon (KR)

(72) Inventor: **In-Duk Hwang**, Sejong (KR)

(73) Assignee: **HEXACHECK INC.**, Daejeon (KR)

(**) Term: **15 Years**

(21) Appl. No.: **35/507,264**

(22) Filed: **Feb. 13, 2019**

(80) **Hague Agreement Data**

Int. Filing Date: **Feb. 13, 2019**

Int. Reg. No.: **DM/201127**

Int. Reg. Date: **Feb. 13, 2019**

Int. Reg. Pub. Date: **Aug. 16, 2019**

(51) **LOC (12) Cl.** **24-02**

(52) **U.S. Cl.**
USPC **D24/167**

(58) **Field of Classification Search**
USPC D24/107, 167, 186, 187, 158, 216, 218,
D24/224, 225; D10/70, 75, 98, 97, 46;
D14/344, 138 C, 138 R
CPC A61B 5/6801; A61B 5/681; A61B 5/6819;
A61B 5/6823; A61B 5/6824; A61B
5/02405; A61B 5/02427; A61B 5/02438;
A61B 5/00; A61B 2560/0412; A61B
2560/0418; A61B 2562/162; A61B
2562/164; A61B 2562/10; A61B 2562/18;
A61B 2562/0402; A61B 2562/0404

See application file for complete search history.

(56) **References Cited**

U.S. PATENT DOCUMENTS

4,596,256 A * 6/1986 Ascher A61B 5/02438
600/523
D341,659 S * 11/1993 Homayoun D24/167
D377,983 S * 2/1997 Sabri D24/167

D393,213 S * 4/1998 Kanner D10/46
D420,452 S * 2/2000 Cardy D24/224
D420,746 S * 2/2000 Cardy D24/224
D787,066 S * 5/2017 Kim D10/97
D810,593 S * 2/2018 Liu D10/70
9,943,243 B2 * 4/2018 Wang A61B 5/044
10,244,949 B2 * 4/2019 Moyer A61B 5/02055

(Continued)

OTHER PUBLICATIONS

[Online] "Alivacor-Kardiamobile. . ." https://www.bestbuy.com/site/alivacor-kardiamobile-personal-ekg-monitor-black/6297175.p?skuId=6297175&ref=212&loc=1&ref=212&loc=1&gclid=CjwKCAjwv4_1BRAhEiwAtMDLslrNGo3w91a7zPW3cqfMhMxVuFXd_1wZynsCy2swge4a2cBZNXXZlxoCkEQQAxD_BwE&gclid=aw.ds. Retrieved Apr. 25, 2020.*

Primary Examiner — Melanie Pellegrini

(57) **CLAIM**

The ornamental design for an electrocardiographic device, as shown and described.

DESCRIPTION

1. Electrocardiographic device

1.1 : Perspective

1.2 : Front

1.3 : Back

1.4 : Left

1.5 : Right

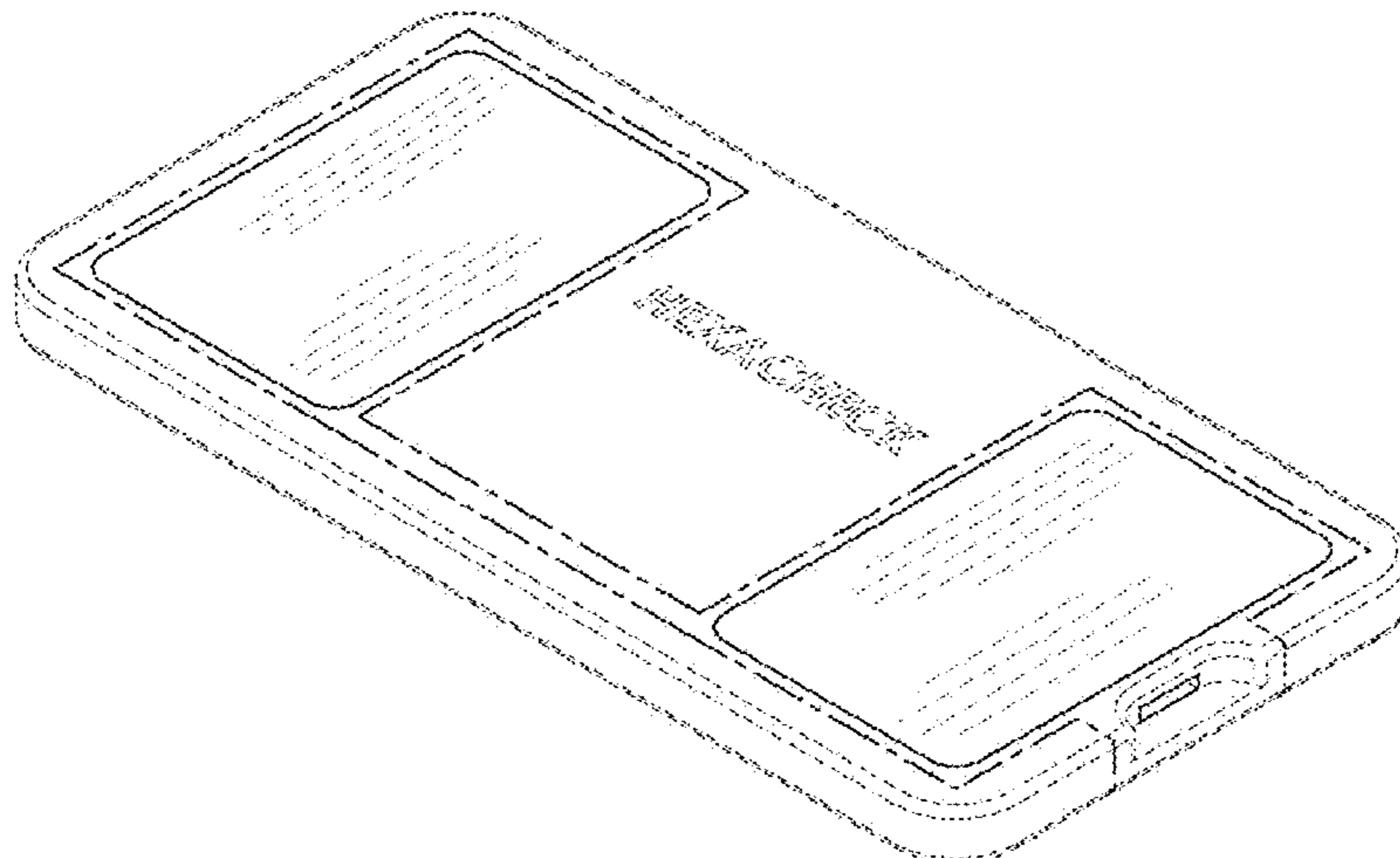
1.6 : Top

1.7 : Bottom

1.8 : Perspective

Fig. 1.1 is a top front perspective view of an electrocardiographic device showing our new design; fig. 1.2 is a front view thereof; fig. 1.3 is a rear view thereof; fig. 1.4 is a left side view thereof; fig. 1.5 is a right side view thereof; fig. 1.6 is a top view thereof; fig. 1.7 is a bottom view thereof; and, fig. 1.8 is a bottom front perspective view thereof, the dashed broken lines in the figures show portions of the electrocardiographic device that form no part of the claimed design; the shade lines in the figures show contour and not

(Continued)



surface ornamentation; the dot-dash broken lines in the figures show boundaries that form no part of the claimed design.

1 Claim, 8 Drawing Sheets

(56)

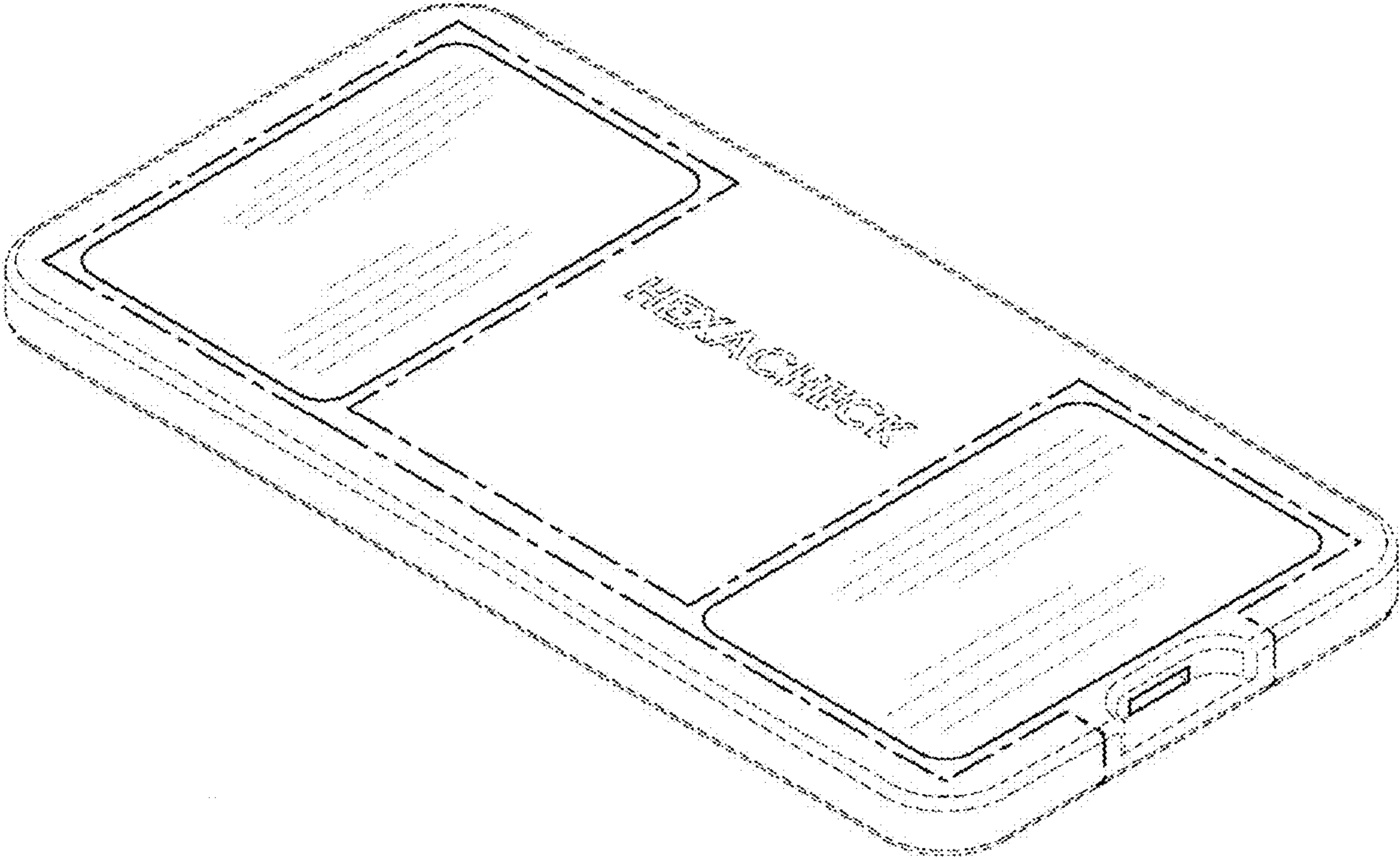
References Cited

U.S. PATENT DOCUMENTS

D851,253 S * 6/2019 Goolkasian D24/167
D868,974 S * 12/2019 Albert D24/167
10,610,159 B2 * 4/2020 Eletr A61B 5/0002

* cited by examiner

1.1



1.2



1.3



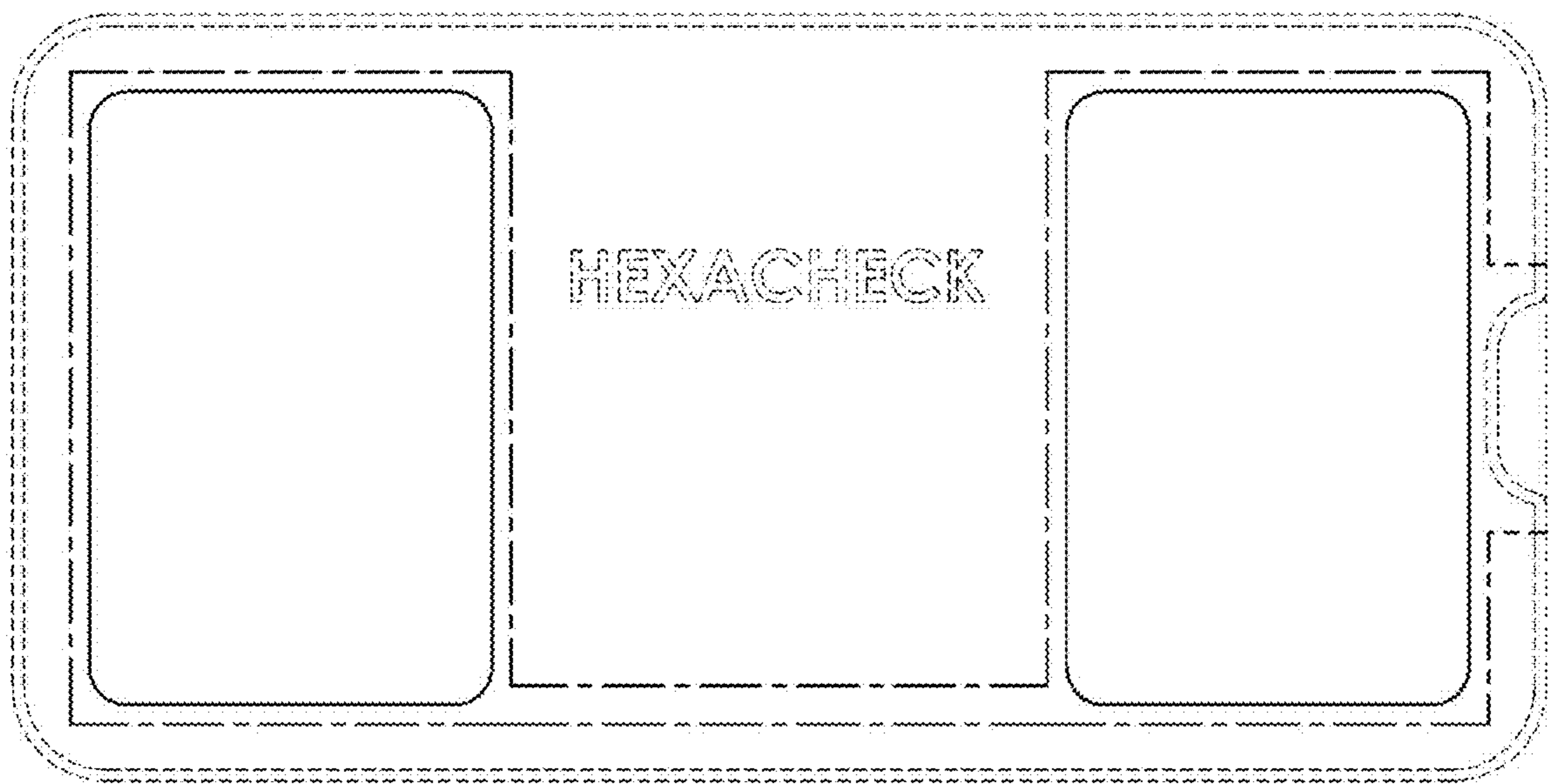
1.4



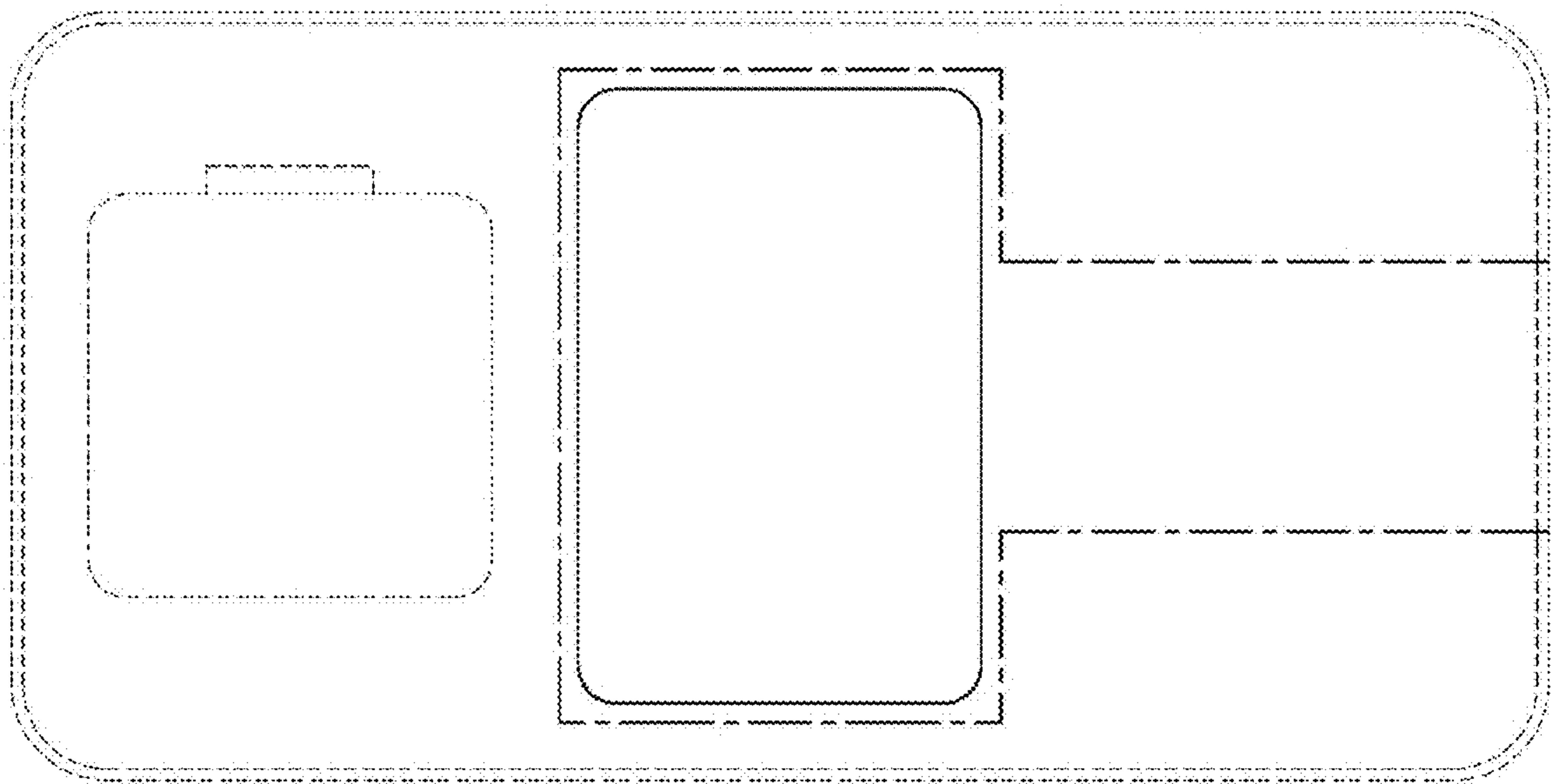
1.5



1.6



1.7



1.8

