



US00D895117S

(12) **United States Design Patent** (10) **Patent No.:** **US D895,117 S**
Wingo et al. (45) **Date of Patent:** **** Sep. 1, 2020**

(54) **X-RAY DEVICE FOR UNMANNED AERIAL VEHICLES**

(71) Applicant: **Talon Aerolytics (Holding), Inc.**, West Point, GA (US)

(72) Inventors: **Austin Wingo**, Opelika, AL (US); **Timothy Dunnigan**, Lanett, AL (US); **Phillip Bevel**, Opelika, AL (US); **Eric Hare**, Opelika, AL (US); **Timothy Dunnigan, Jr.**, Auburn, AL (US)

(73) Assignee: **Philip H. Burrus, IV**, West Point, GA (US)

(**) Term: **15 Years**

(21) Appl. No.: **29/647,381**

(22) Filed: **May 11, 2018**

Related U.S. Application Data

(63) Continuation of application No. 15/967,042, filed on Apr. 30, 2018.

(51) **LOC (12) Cl.** **24-01**

(52) **U.S. Cl.**
USPC **D24/161**

(58) **Field of Classification Search**
USPC D24/107, 158-161, 186; D12/345
CPC A61B 5/0095; A61B 5/0097; H04R 3/005;
G01S 3/80; G01S 3/808
See application file for complete search history.

(56) **References Cited**

U.S. PATENT DOCUMENTS

D181,521 S * 11/1957 Ensign D24/158
D298,054 S * 10/1988 Moore D24/161
D363,915 S * 11/1995 Weems D12/345
D406,892 S * 3/1999 Warren D24/161
D679,016 S * 3/2013 Jarva D24/158
D685,478 S * 7/2013 Lomas D24/158

D692,139 S * 10/2013 Charles D24/158
2006/0114122 A1 6/2006 Jones
2012/0262708 A1 10/2012 Connolly
2017/0029101 A1 2/2017 Weissenberg
2017/0106998 A1* 4/2017 Zhou B64C 39/024
2017/0168107 A1 6/2017 Vinogradova et al.
2017/0285092 A1 10/2017 Moore
2017/0329037 A1* 11/2017 Zhou G01V 5/005
2017/0336806 A1 11/2017 Blanc-Paques et al.
2018/0120196 A1 5/2018 Georgeson et al.
2018/0141656 A1 5/2018 Heinonen et al.

(Continued)

OTHER PUBLICATIONS

“Power Line X-ray”, Photo submitted by inventors; View 1; photograph on or before Aug. 7, 2017.

(Continued)

Primary Examiner — Anhdao Doan

(74) *Attorney, Agent, or Firm* — Philip H. Burrus, IV

(57) **CLAIM**

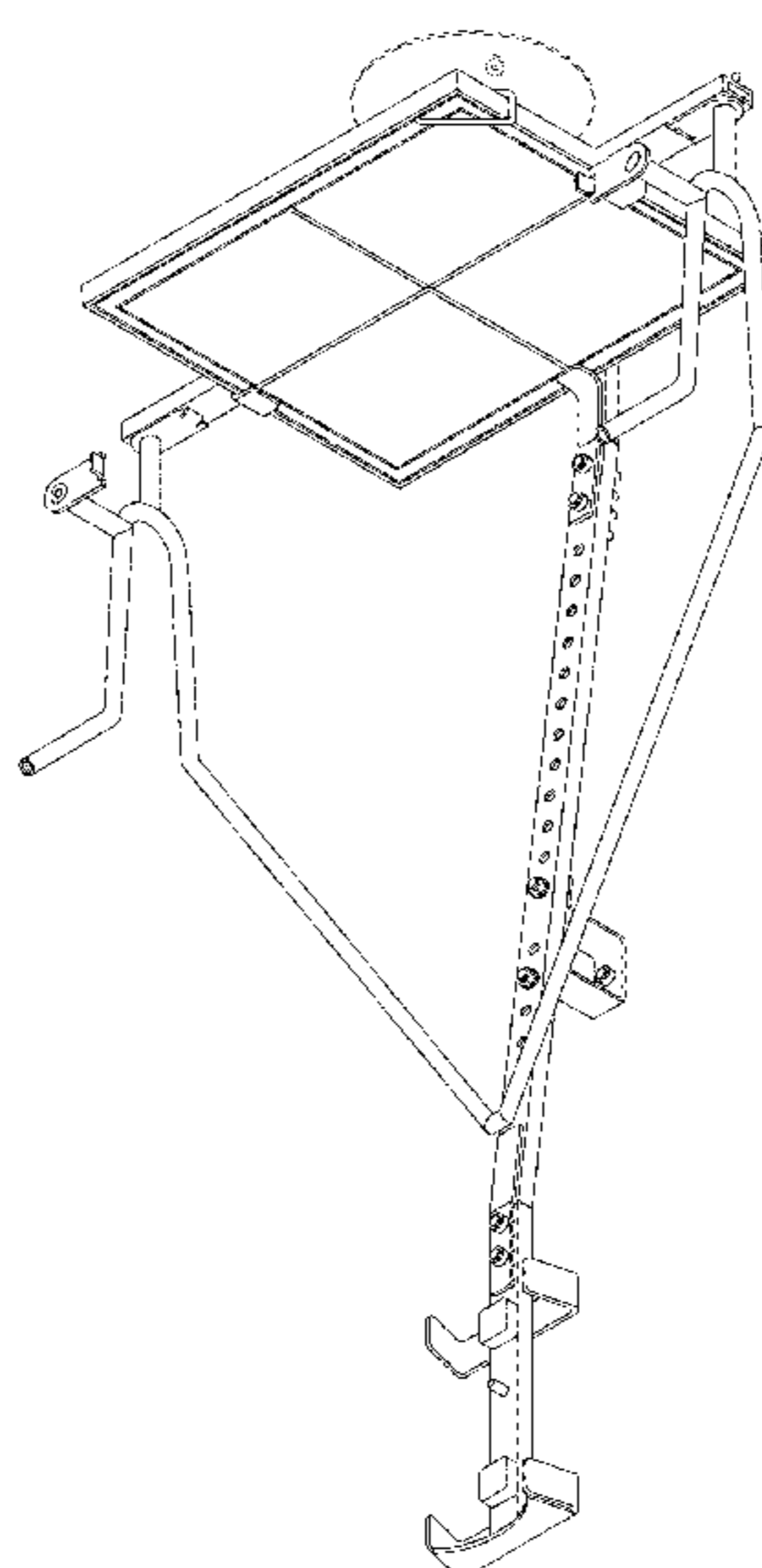
The ornamental design for an X-ray device for unmanned aerial vehicles, as shown and described.

DESCRIPTION

FIG. 1 is a top plan view of an X-ray device for unmanned aerial vehicles showing our new design; FIG. 2 is a rear elevation view thereof; FIG. 3 is a front elevation view thereof; FIG. 4 is a bottom plan view thereof; FIG. 5 is a first perspective view thereof; FIG. 6 is a second perspective view thereof; FIG. 7 is a third perspective thereof; FIG. 8 is a left elevation view thereof; and, FIG. 9 is a right elevation view thereof.

The broken line shown in the drawings are for the purpose of illustrating environment and form no part of the claimed design.

1 Claim, 8 Drawing Sheets



(56)

References Cited

U.S. PATENT DOCUMENTS

2018/0156616 A1 6/2018 Bennett et al.
2019/0260191 A1 8/2019 Lavoie et al.

OTHER PUBLICATIONS

“Power Line X-ray”, Photo submitted by inventors; View 2; photograph on or before Aug. 7, 2017.

“Power Line X-ray Cage”, Photo submitted by inventors; taken on or before Aug. 7, 2017.

Gaworecki, Mark , “NonFinal Office Action”, U.S. Appl. No. 15/967,042, filed Apr. 30, 2018; dated Oct. 22, 2019.

* cited by examiner

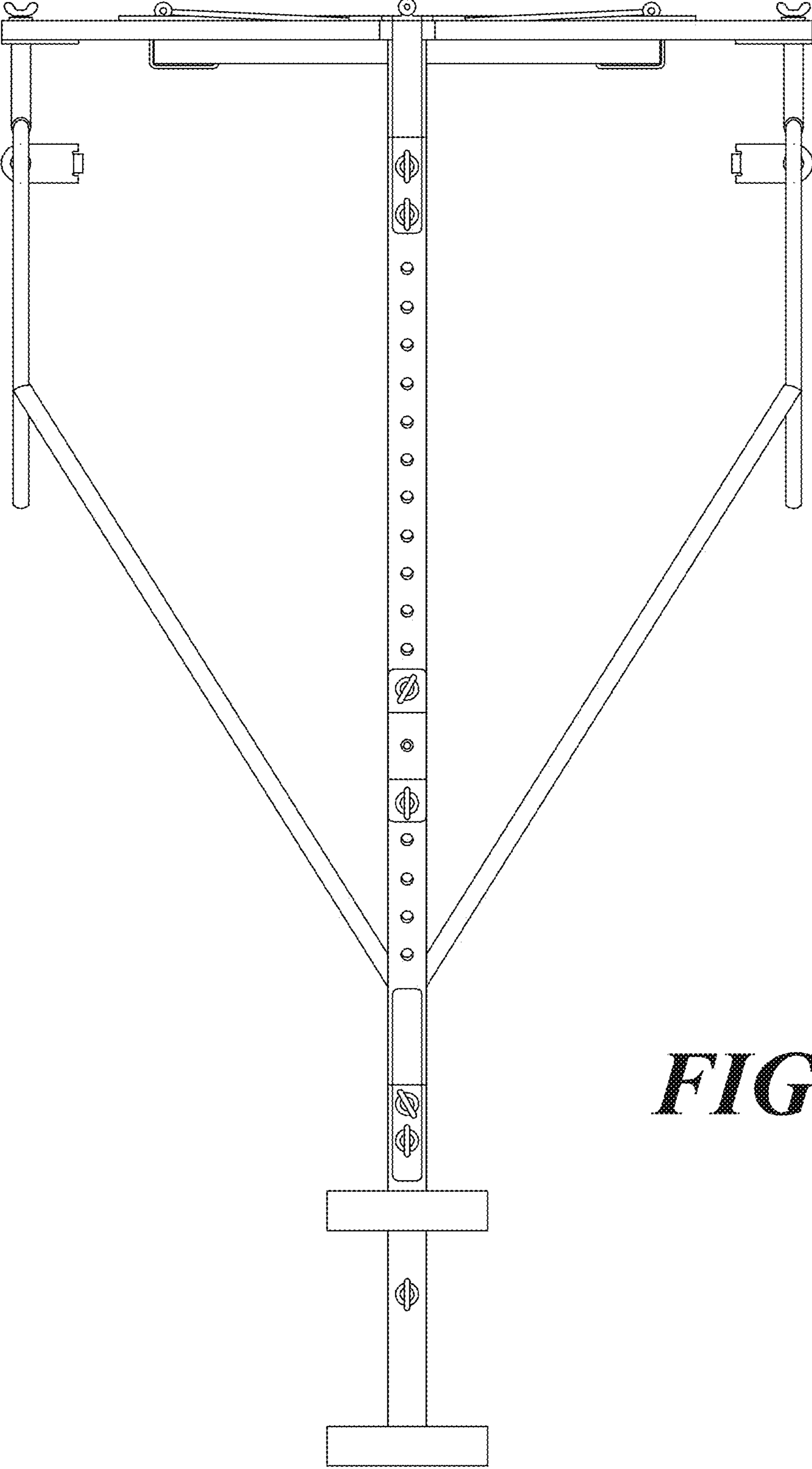


FIG. 1

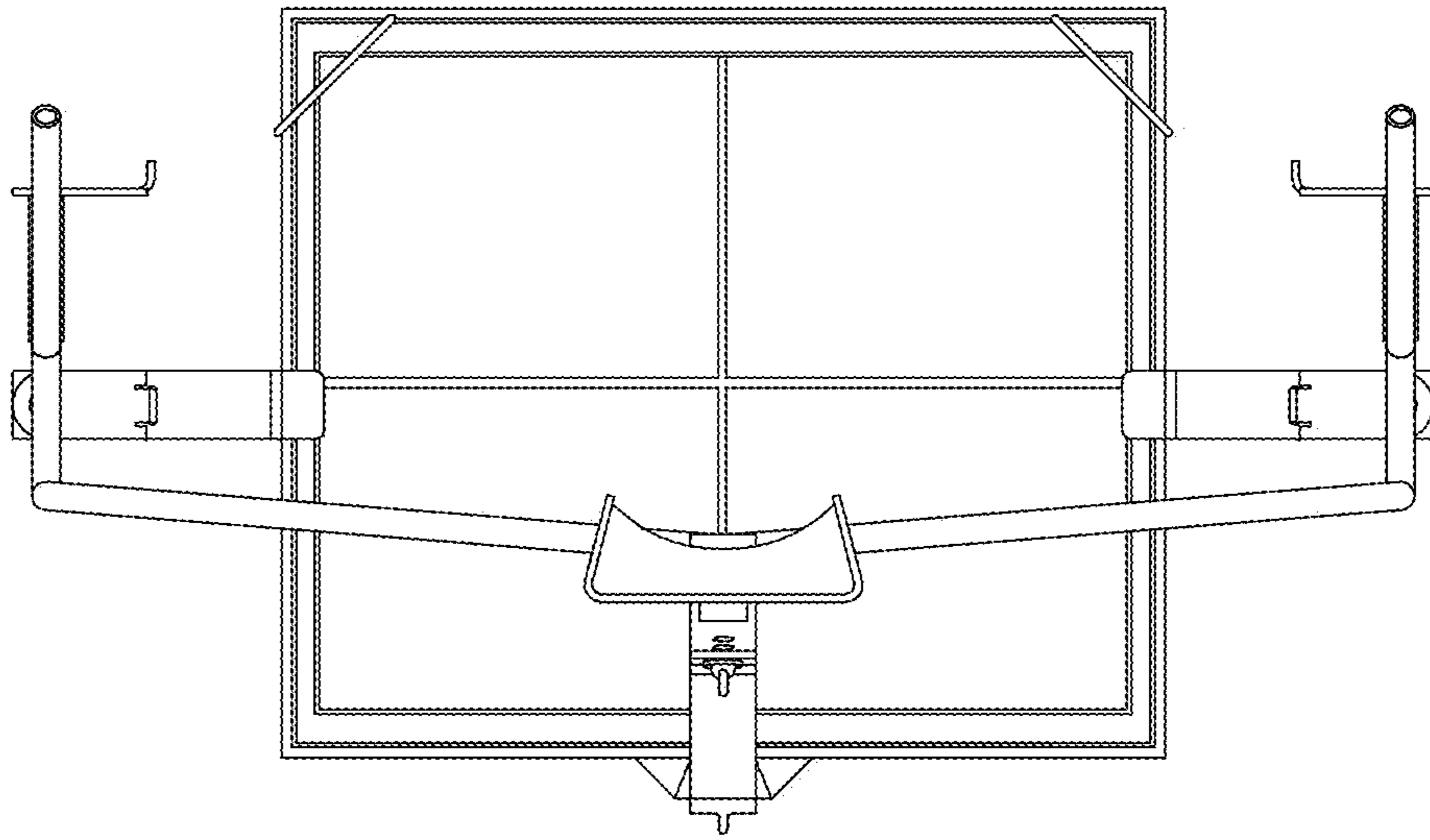


FIG. 2

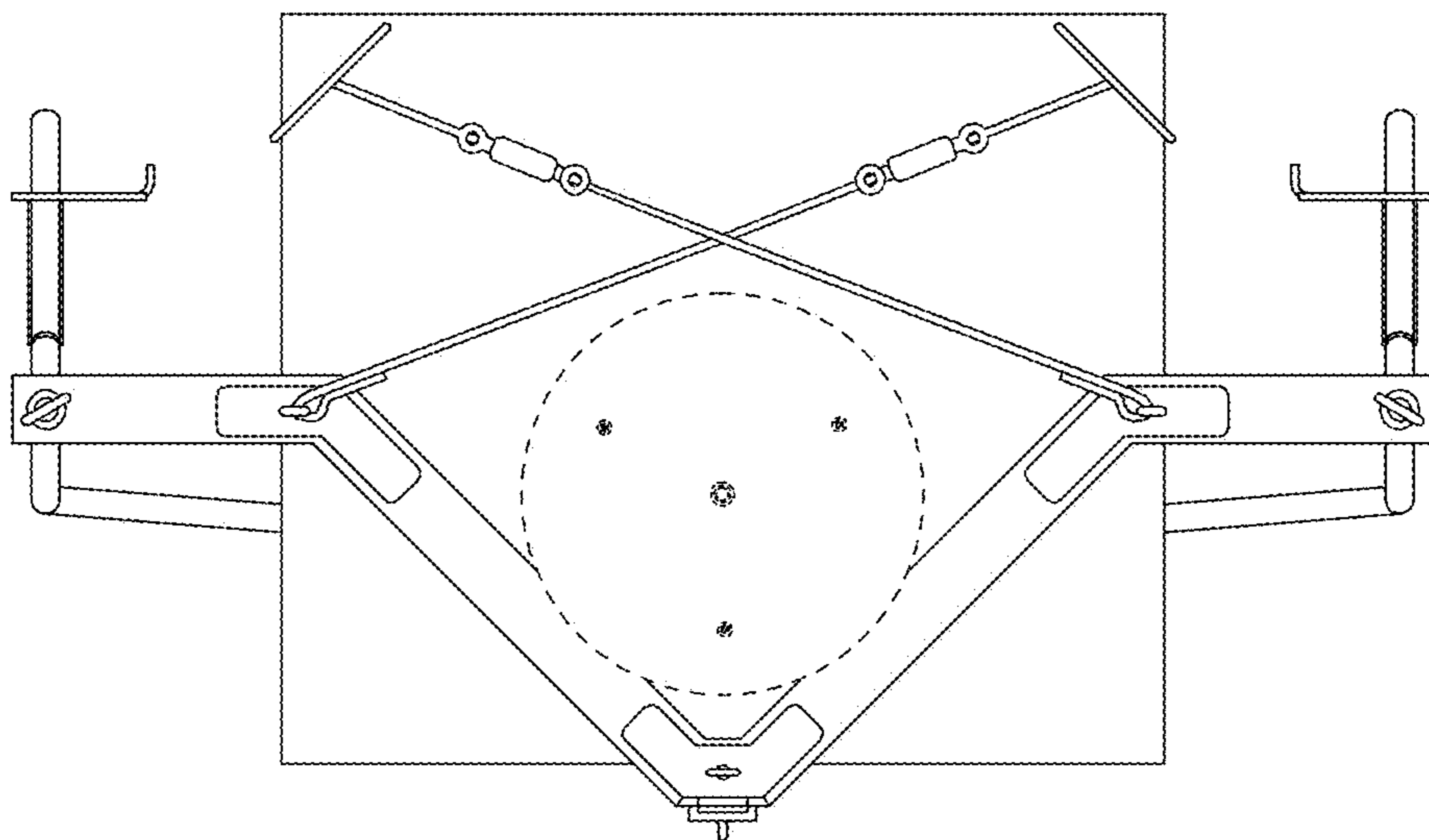


FIG. 3

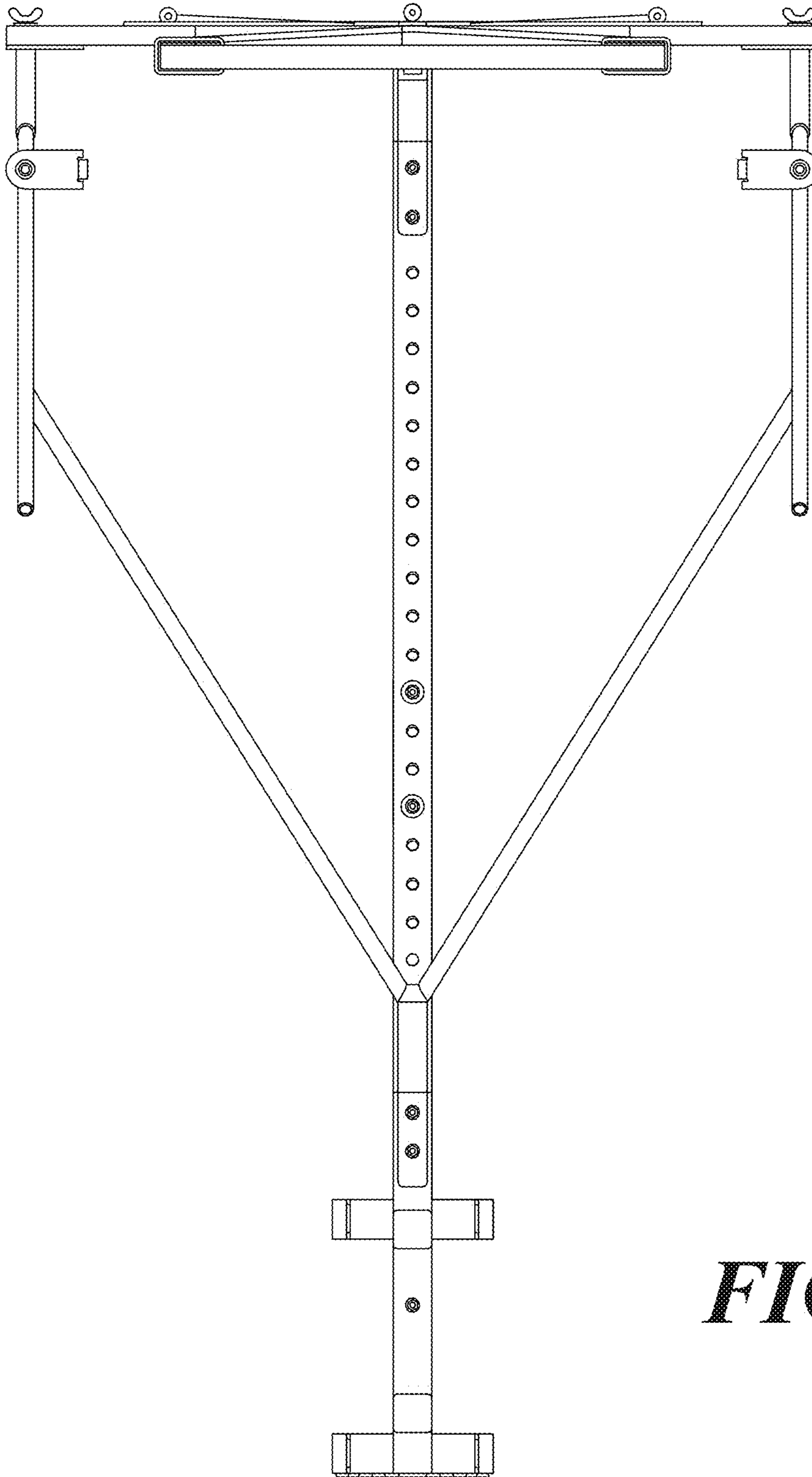


FIG. 4

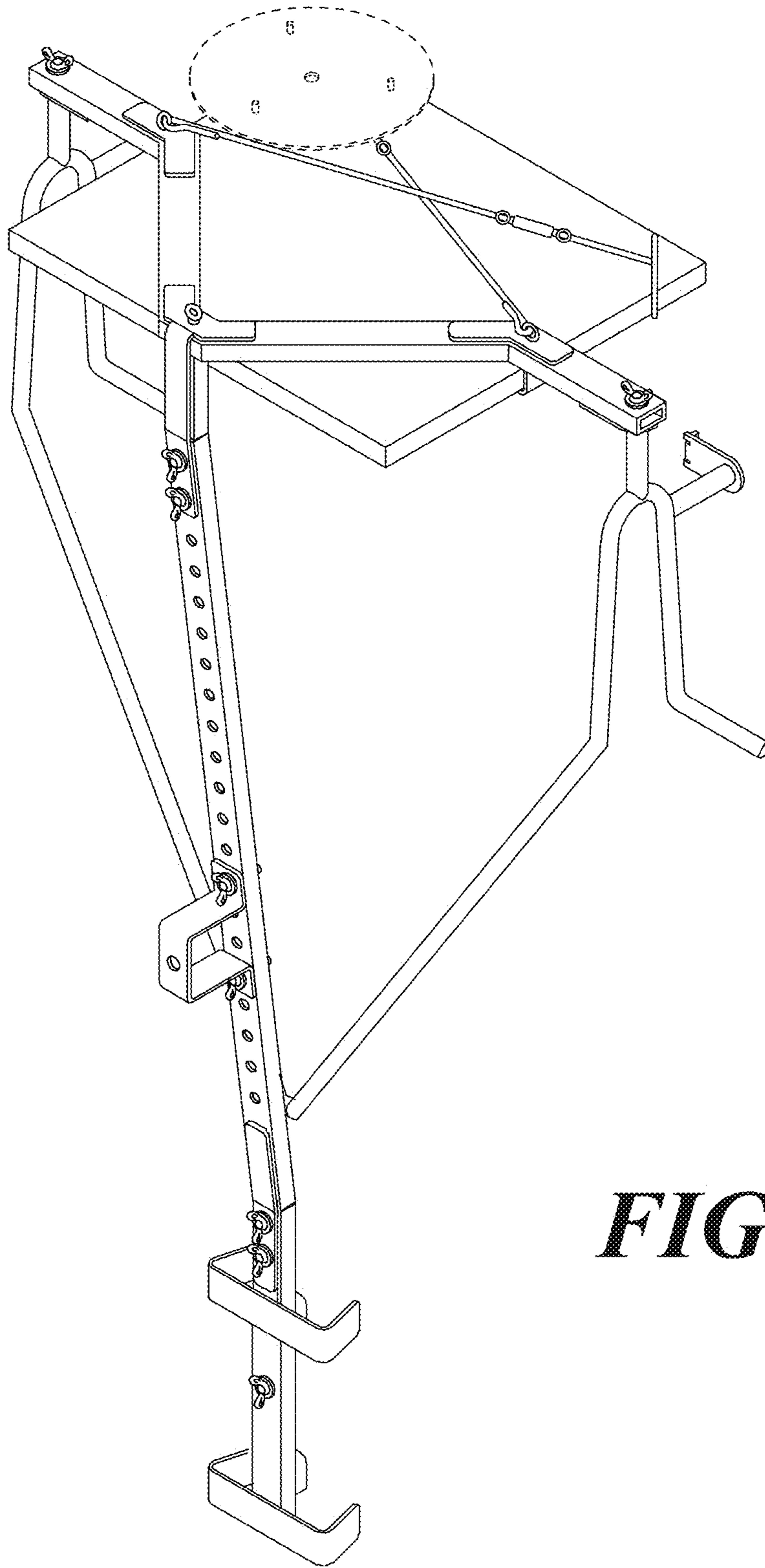


FIG. 5

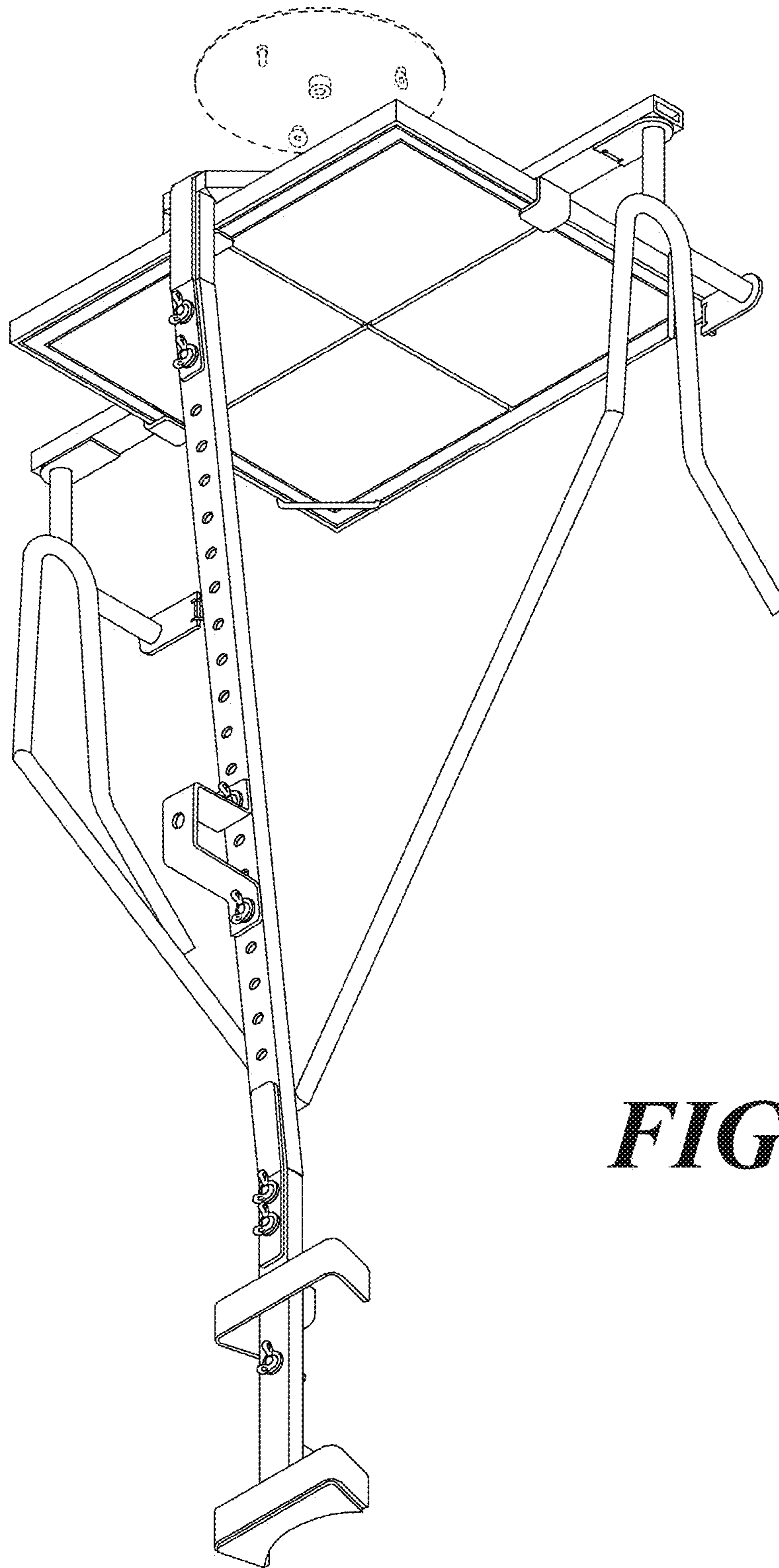


FIG. 6

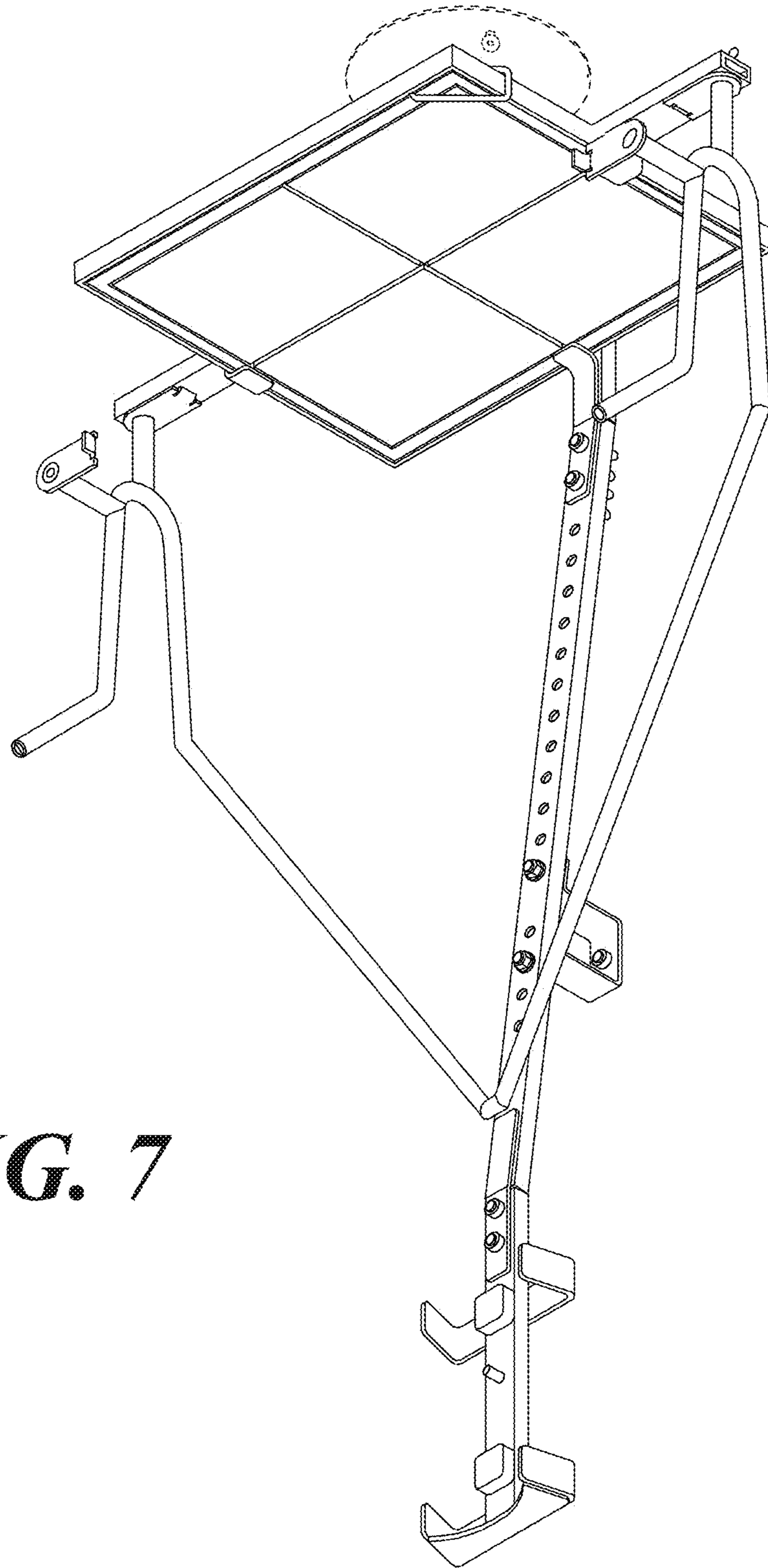


FIG. 7

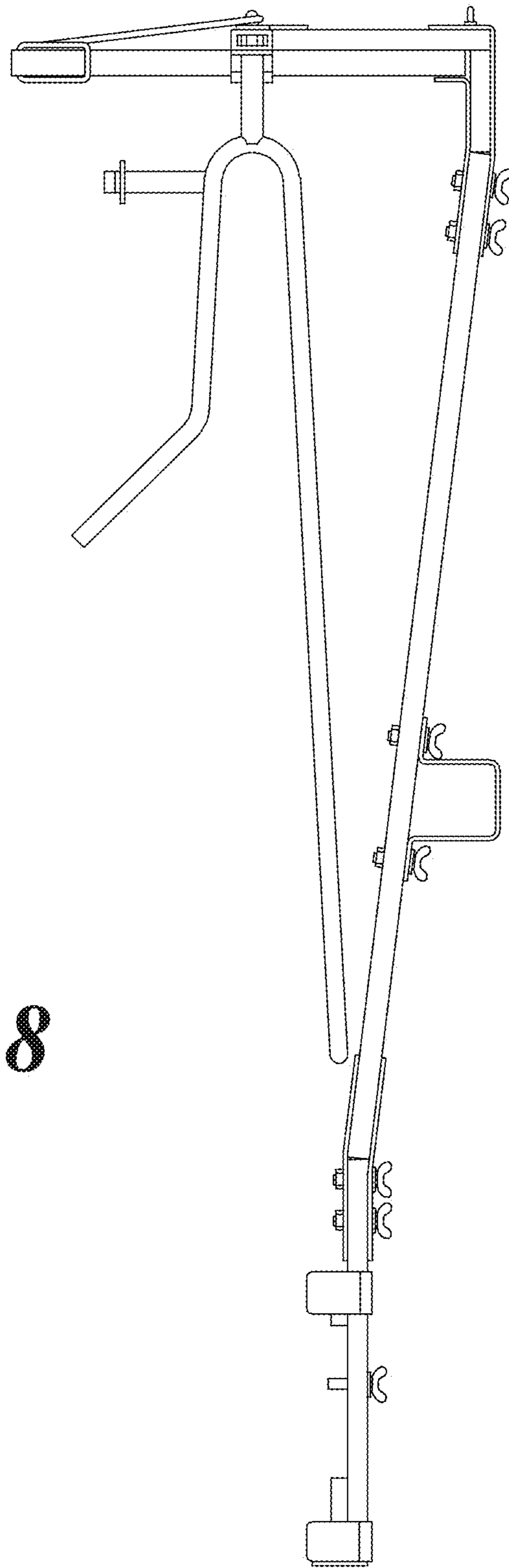


FIG. 8

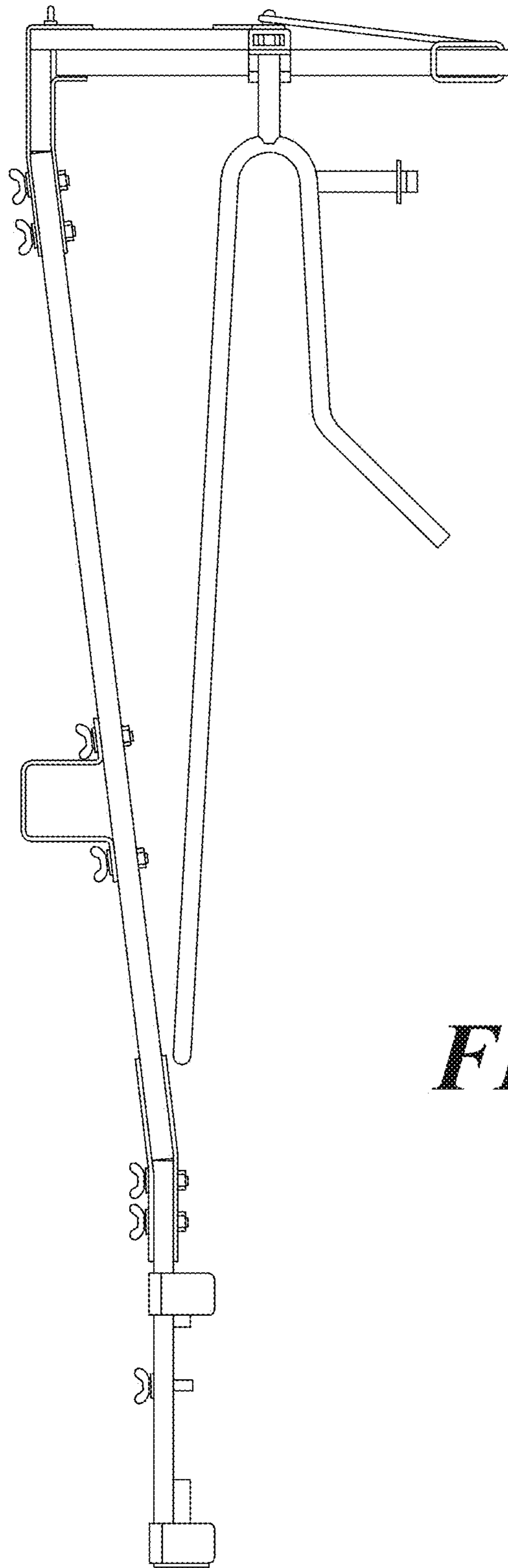


FIG. 9

UNITED STATES PATENT AND TRADEMARK OFFICE
CERTIFICATE OF CORRECTION

PATENT NO. : D895,117 S
APPLICATION NO. : 29/647381
DATED : September 1, 2020
INVENTOR(S) : Austin Wingo et al.

Page 1 of 1

It is certified that error appears in the above-identified patent and that said Letters Patent is hereby corrected as shown below:

On the Title Page

In Assignee Name(s), replace "Philip H. Burrus, IV", with --Talon Aerolytics (Holding), Inc.--.

Signed and Sealed this
Twentieth Day of July, 2021



Drew Hirshfeld
*Performing the Functions and Duties of the
Under Secretary of Commerce for Intellectual Property and
Director of the United States Patent and Trademark Office*