



US00D895115S

(12) **United States Design Patent** (10) **Patent No.:** **US D895,115 S**
Müller et al. (45) **Date of Patent:** **** Sep. 1, 2020**

(54) **MODELING TIP FOR DENTAL USE**
(71) Applicant: **Ivoclar Vivadent AG**, Schaan (LI)
(72) Inventors: **Frank Müller**, Feldkirch (AT); **Nora Christina Kögel**, Grünwald (DE)
(73) Assignee: **Ivoclar Vivadent AG**, Schaan (LI)
(**) Term: **15 Years**
(21) Appl. No.: **29/669,487**
(22) Filed: **Nov. 8, 2018**

(30) **Foreign Application Priority Data**
Jan. 26, 2016 (WO) 953510701
Jan. 26, 2016 (WO) DM/094071
(51) **LOC (12) Cl.** **24-02**
(52) **U.S. Cl.**
USPC **D24/152**
(58) **Field of Classification Search**
USPC D24/152, 154, 146, 144, 149; 433/141, 433/164
CPC A61C 3/00; A61C 3/08
See application file for complete search history.

(56) **References Cited**
U.S. PATENT DOCUMENTS
2,099,030 A 11/1937 Morrison
D281,531 S * 11/1985 Harris D24/152

D426,306 S 6/2000 Maissami
D626,223 S 10/2010 Bender et al.
D629,902 S 12/2010 Palmer et al.
D636,874 S 4/2011 Palmer et al.
D720,455 S 12/2014 Jodaikin et al.
D738,502 S 9/2015 Jian
D750,247 S 2/2016 Cho et al.
D779,064 S 2/2017 Sanchez
D807,507 S 1/2018 Chauhan
2009/0130628 A1* 5/2009 Viscomi A61C 3/08 433/164
2010/0040995 A1* 2/2010 Muller A61C 5/60 433/141
2017/0128157 A1 5/2017 Müller et al.

* cited by examiner

Primary Examiner — Wan Laymon
(74) *Attorney, Agent, or Firm* — Ann M. Knab; Thad McMurray

(57) **CLAIM**
The ornamental design for a modeling tip for dental use, as shown and described.

DESCRIPTION
FIG. 1 is a left side perspective view of the modeling tip for dental use.
FIG. 2 is a right side view thereof.
FIG. 3 is a cross sectional view taken along line 3-3 in FIG. 2.
FIG. 4 is a left side view thereof.
FIG. 5 is a rear view thereof; and,
FIG. 6 is a front view thereof.

1 Claim, 6 Drawing Sheets

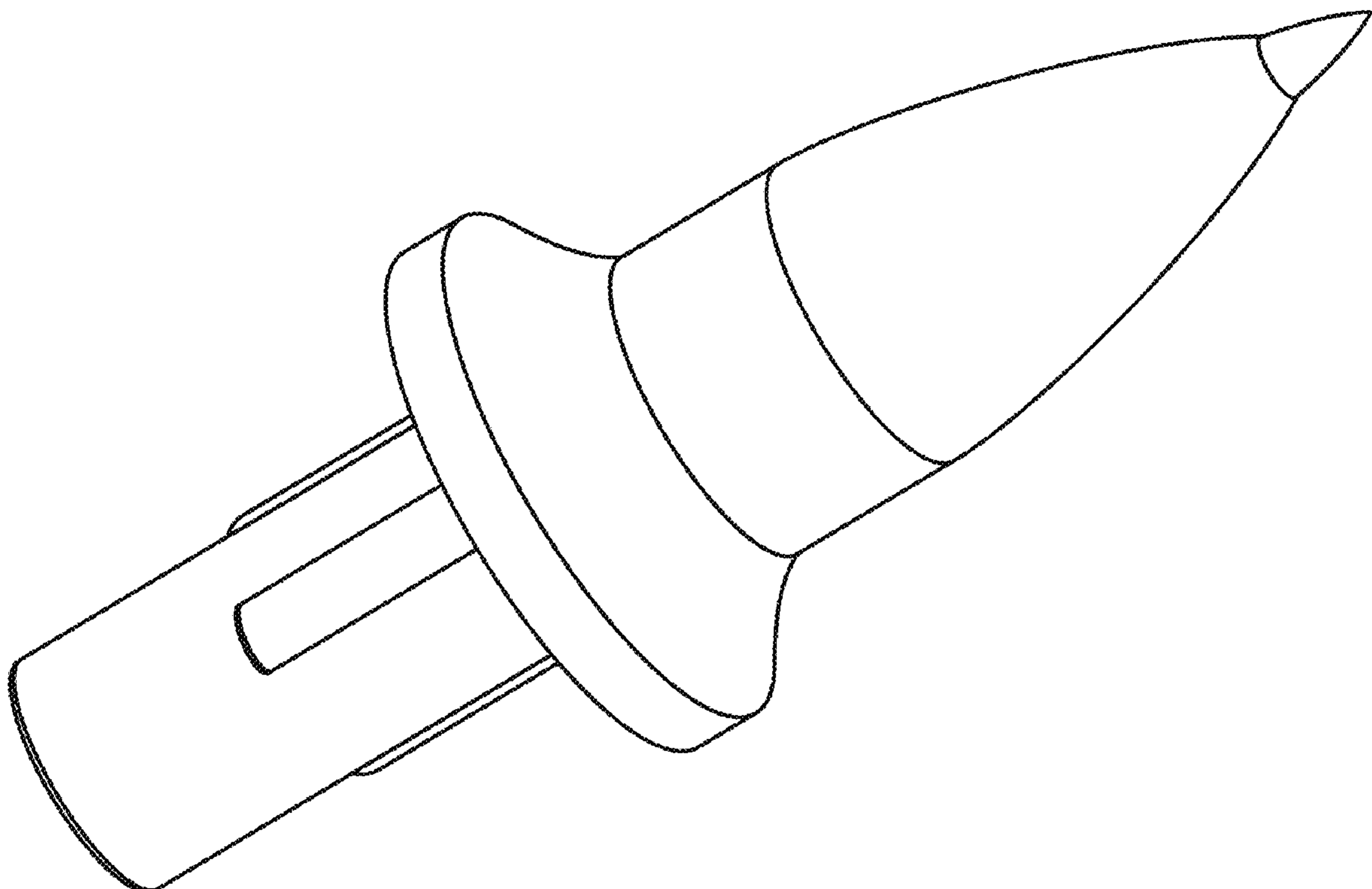


Fig. 1

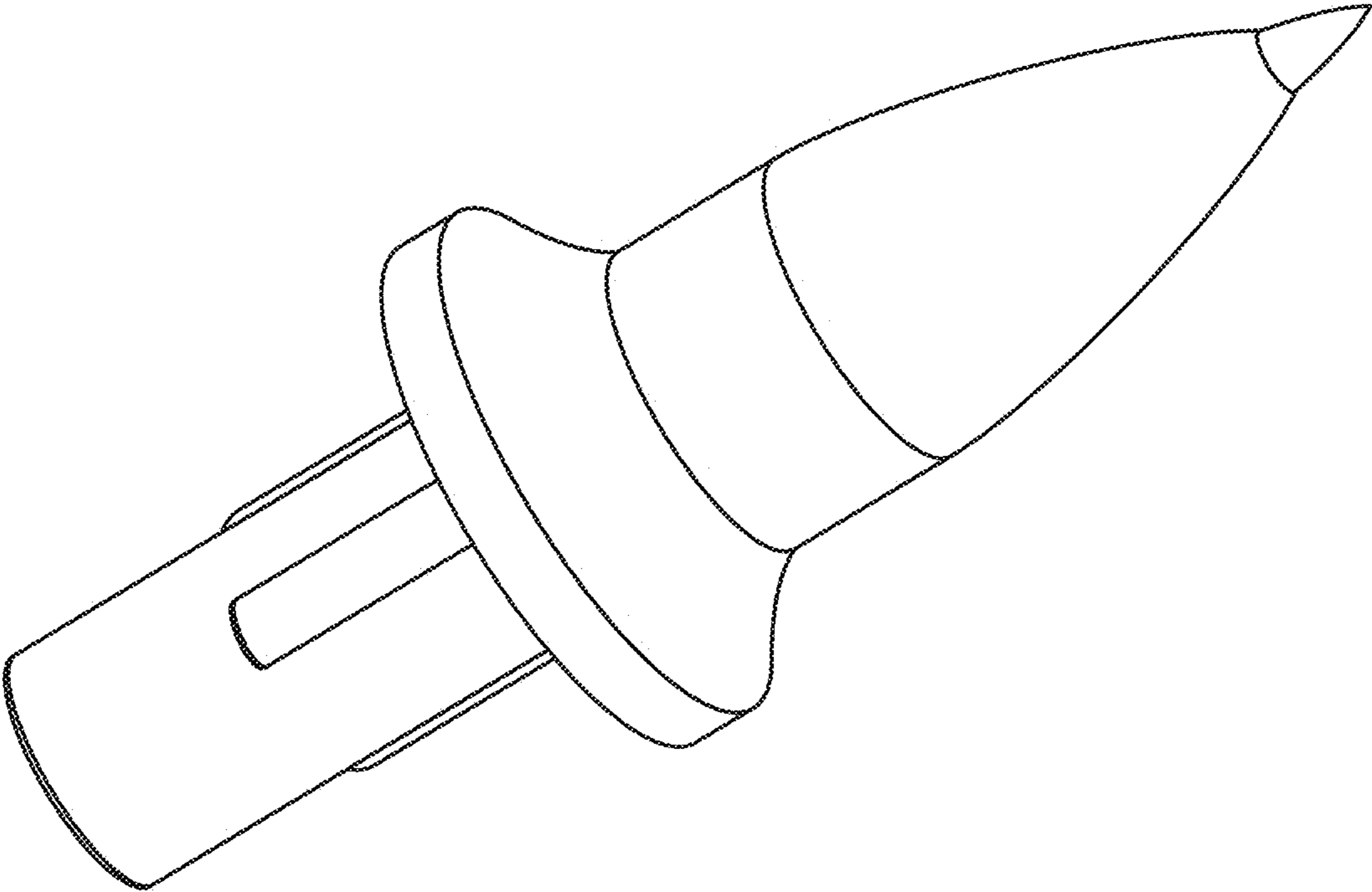


Fig. 2

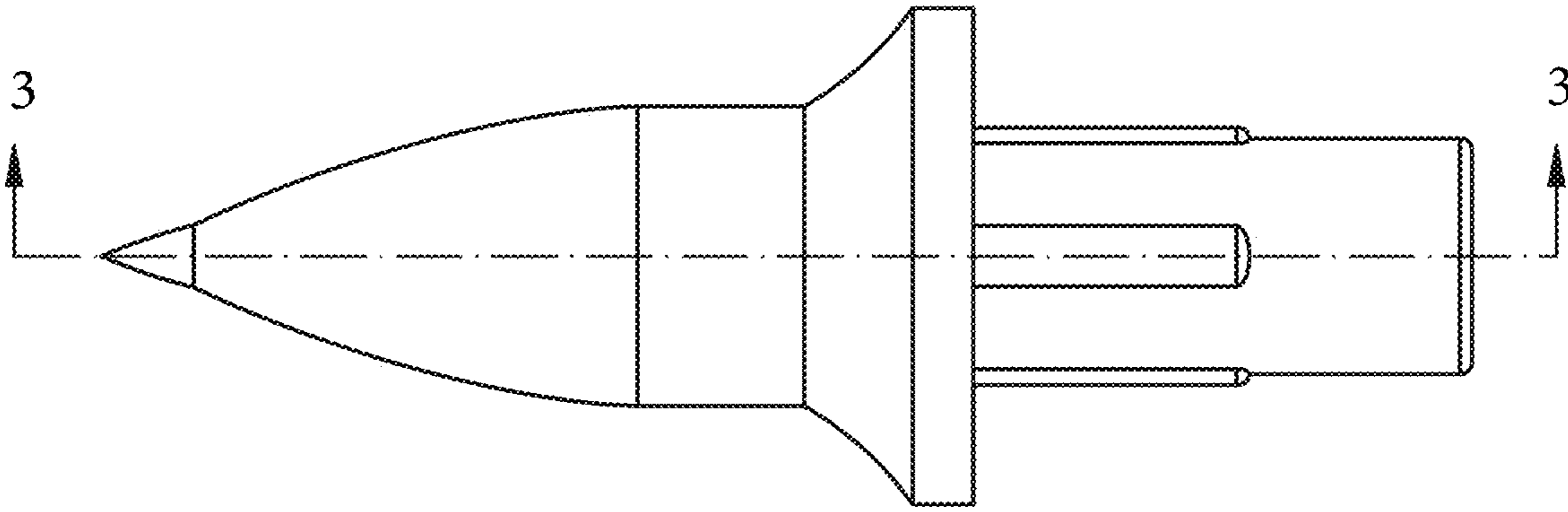


Fig. 3

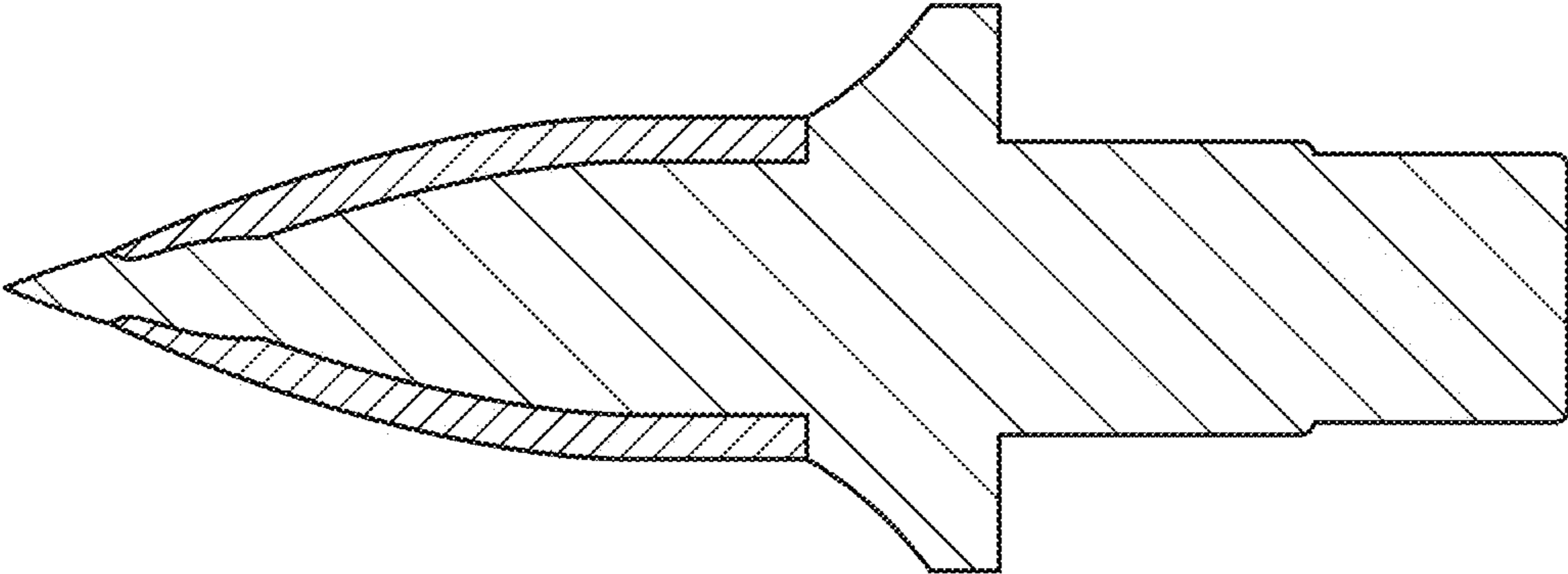


Fig. 4

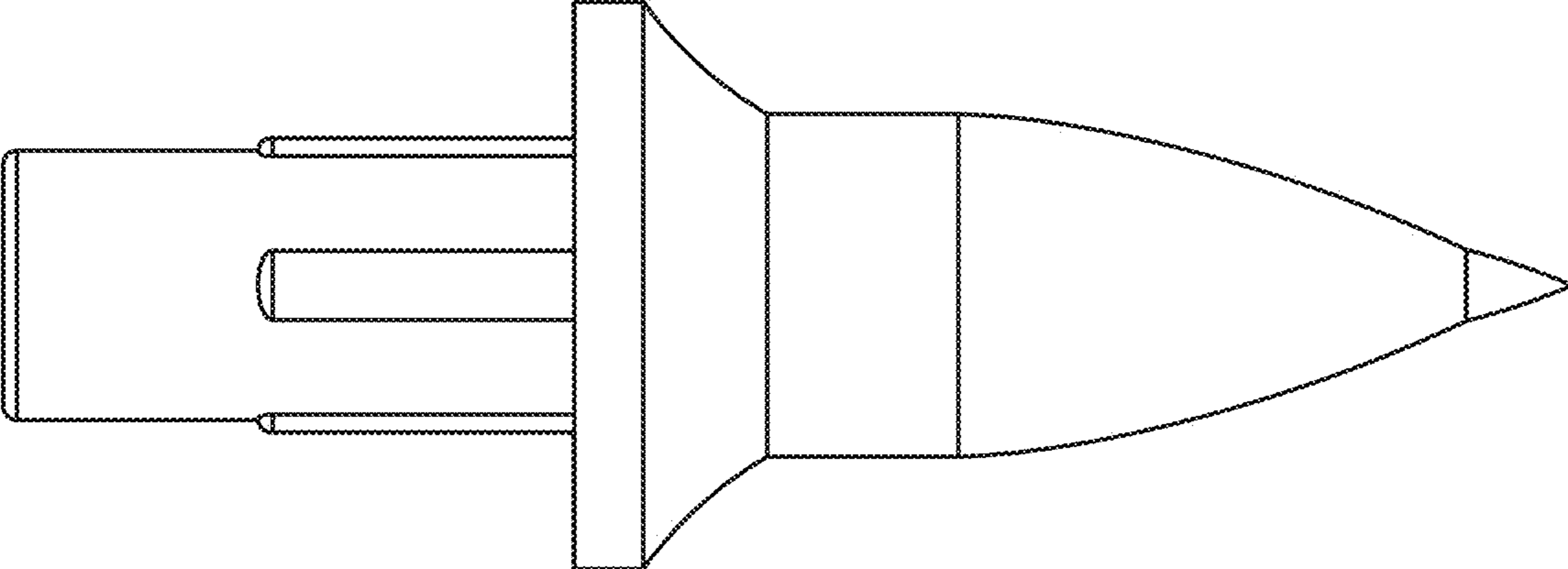


Fig. 5

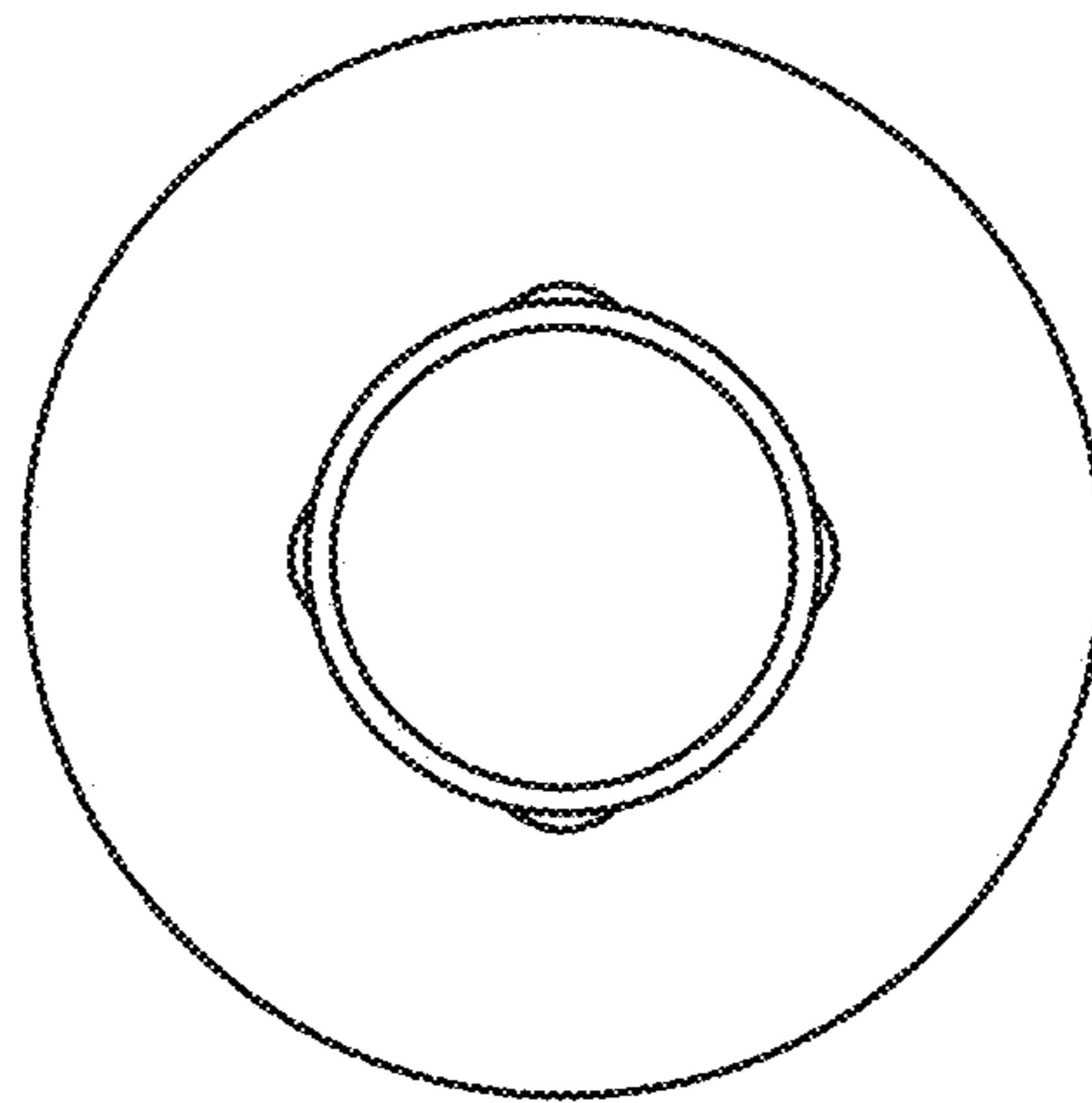


Fig. 6

