



US00D895113S

(12) **United States Design Patent**
Blair et al.

(10) **Patent No.:** **US D895,113 S**
(45) **Date of Patent:** **** Sep. 1, 2020**

(54) **LOW PROFILE STAPLE**

(71) Applicant: **MedShape, Inc.**, Atlanta, GA (US)

(72) Inventors: **Jeremy Webster Blair**, Atlanta, GA (US); **Jack Cabell Griffis, III**, Vero Beach, FL (US)

(73) Assignee: **MEDSHAPE, INC.**, Atlanta, GA (US)

(**) Term: **15 Years**

(21) Appl. No.: **29/659,375**

(22) Filed: **Aug. 8, 2018**

(51) **LOC (12) Cl.** **24-02**

(52) **U.S. Cl.**
USPC **D24/145; D8/390**

(58) **Field of Classification Search**
USPC D8/385, 387, 388, 389, 390, 391, 393;
D19/66, 99, 100; D24/145
CPC .. F16B 15/0015; F16B 15/02; A61B 17/0642;
A61B 17/0644; A61B 2017/00867; A61B
2017/0645; Y10S 411/92
See application file for complete search history.

(56) **References Cited**

U.S. PATENT DOCUMENTS

2,632,356 A * 3/1953 Thiel F16B 15/0015
411/471
D227,976 S * 7/1973 Barth D8/390
D281,814 S * 12/1985 Pratt D24/145
5,662,655 A * 9/1997 Laboureau A61B 17/0642
606/75

(Continued)

Primary Examiner — Sandra S Snapp
Assistant Examiner — Ieisha N Price

(74) *Attorney, Agent, or Firm* — Morris, Manning & Martin, LLP; Bryan D. Stewart

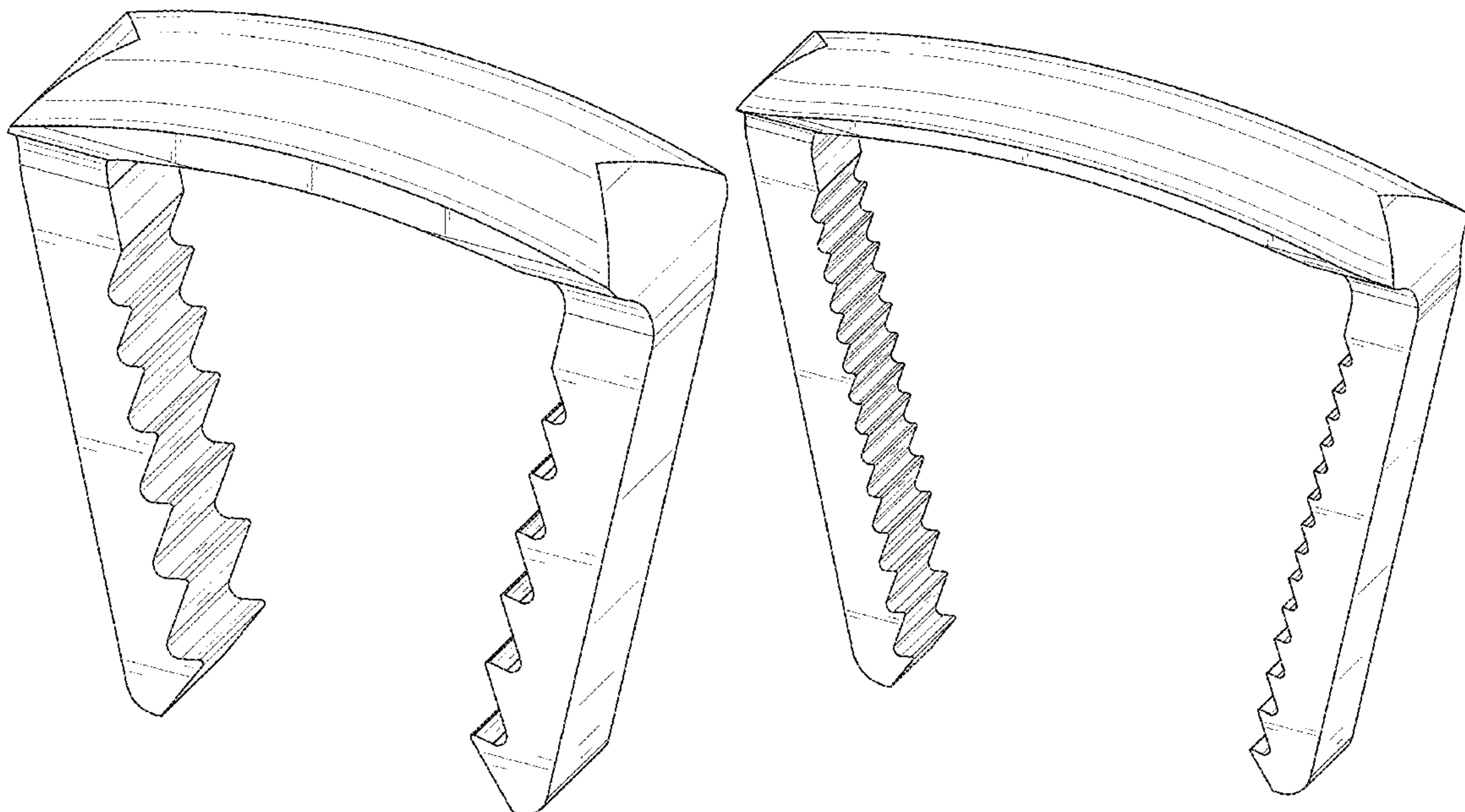
(57) **CLAIM**

The ornamental design for the low profile staple, as shown and described.

DESCRIPTION

FIG. 1 is a perspective view of a low profile staple, according to the first embodiment of the present disclosure. FIG. 2 is a front view of a low profile staple, according to the first embodiment of the present disclosure. FIG. 3 is a back view of a low profile staple, according to the first embodiment of the present disclosure. FIG. 4 is a left side view of a low profile staple, according to the first embodiment of the present disclosure. FIG. 5 is a side view of a low profile staple, according to the first embodiment of the present disclosure. FIG. 6 is a top view of a low profile staple, according to the first embodiment of the present disclosure. FIG. 7 is a bottom view of a low profile staple, according to the first embodiment of the present disclosure. FIG. 8 is a perspective view of a low profile staple, according to the second embodiment of the present disclosure. FIG. 9 is a front view of a low profile staple, according to the second embodiment of the present disclosure. FIG. 10 is a back view of a low profile staple, according to the second embodiment of the present disclosure. FIG. 11 is a left side view of a low profile staple, according to the second embodiment of the present disclosure. FIG. 12 is a right side view of a low profile staple, according to the second embodiment of the present disclosure. FIG. 13 is a top view of a low profile staple, according to the second embodiment of the present disclosure; and, FIG. 14 is a bottom view of a low profile staple, according to the second embodiment of the present disclosure.

1 Claim, 14 Drawing Sheets



(56)

References Cited

U.S. PATENT DOCUMENTS

6,187,009 B1 *	2/2001	Herzog	A61B 17/68	606/232				
D586,915 S *	2/2009	Grim	D24/145					
7,722,610 B2 *	5/2010	Viola	A61B 17/0644	227/176.1				
D625,591 S *	10/2010	MacDonald	D8/390					
9,402,624 B1 *	8/2016	Scott	A61B 17/0642					
D773,665 S *	12/2016	Cheney	D24/155					
9,675,395 B2 *	6/2017	Averous	A61B 17/846					
D804,666 S *	12/2017	Guo	D24/145					
10,117,647 B2	11/2018	Cheney							
10,307,156 B1 *	6/2019	Blair	A61B 17/0642					
D857,199 S *	8/2019	Cheney	D24/155					
D870,284 S *	12/2019	Hollis	D24/155					
10,568,627 B2 *	2/2020	Guo	A61B 17/08					
10,610,218 B2 *	4/2020	Palmer	A61B 17/0642					
2006/0058802 A1	3/2006	Kofoed							
2008/0161808 A1	7/2008	Fox							
2008/0167666 A1 *	7/2008	Fiere	A61B 17/0642	606/151				
2008/0319443 A1	12/2008	Focht et al.							
2010/0063506 A1	3/2010	Fox et al.							
2011/0118842 A1 *	5/2011	Bernard	A61F 2/4455	623/17.11				
2013/0123863 A1	5/2013	Hollis et al.							
2013/0231667 A1	9/2013	Taylor et al.							
2013/0267956 A1	10/2013	Terrill et al.							
2014/0018809 A1	1/2014	Allen							
2014/0097228 A1 *	4/2014	Taylor	A61B 17/068	227/181.1				
2014/0277516 A1 *	9/2014	Miller	A61B 17/0682	623/18.11				
2014/0358187 A1 *	12/2014	Taber	A61B 17/0642	606/86 R				
2015/0133940 A1	5/2015	Palmer et al.							
2015/0313592 A1	11/2015	Coillard-Lavirotte et al.							
2016/0000434 A1	1/2016	Cocaign et al.							
2016/0030039 A1	2/2016	Seavey et al.							
2016/0066907 A1	3/2016	Cheney et al.							
2016/0135808 A1 *	5/2016	Anderson	A61B 17/0644	606/219				
2016/0199060 A1	7/2016	Morgan et al.							
2016/0235460 A1 *	8/2016	Wahl	A61B 17/8863					
2016/0338697 A1 *	11/2016	Biedermann	A61B 17/0642					
2017/0202552 A1 *	7/2017	Coleman	A61B 17/7059					
2017/0252036 A1 *	9/2017	Palmer	A61B 17/10					
2018/0008263 A1 *	1/2018	Goldstein	A61B 17/0642					
2019/0000451 A1 *	1/2019	Majors	A61B 17/10					
2019/0105040 A1 *	4/2019	Gordon	A61B 17/0642					
2019/0150921 A1 *	5/2019	Fonte	A61B 17/0682					
2019/0192140 A1 *	6/2019	Ducharme	A61B 17/0682					
2019/0192160 A1 *	6/2019	Stamp	A61B 17/10					
2019/0357951 A1 *	11/2019	Rogers	A61B 17/86					

* cited by examiner

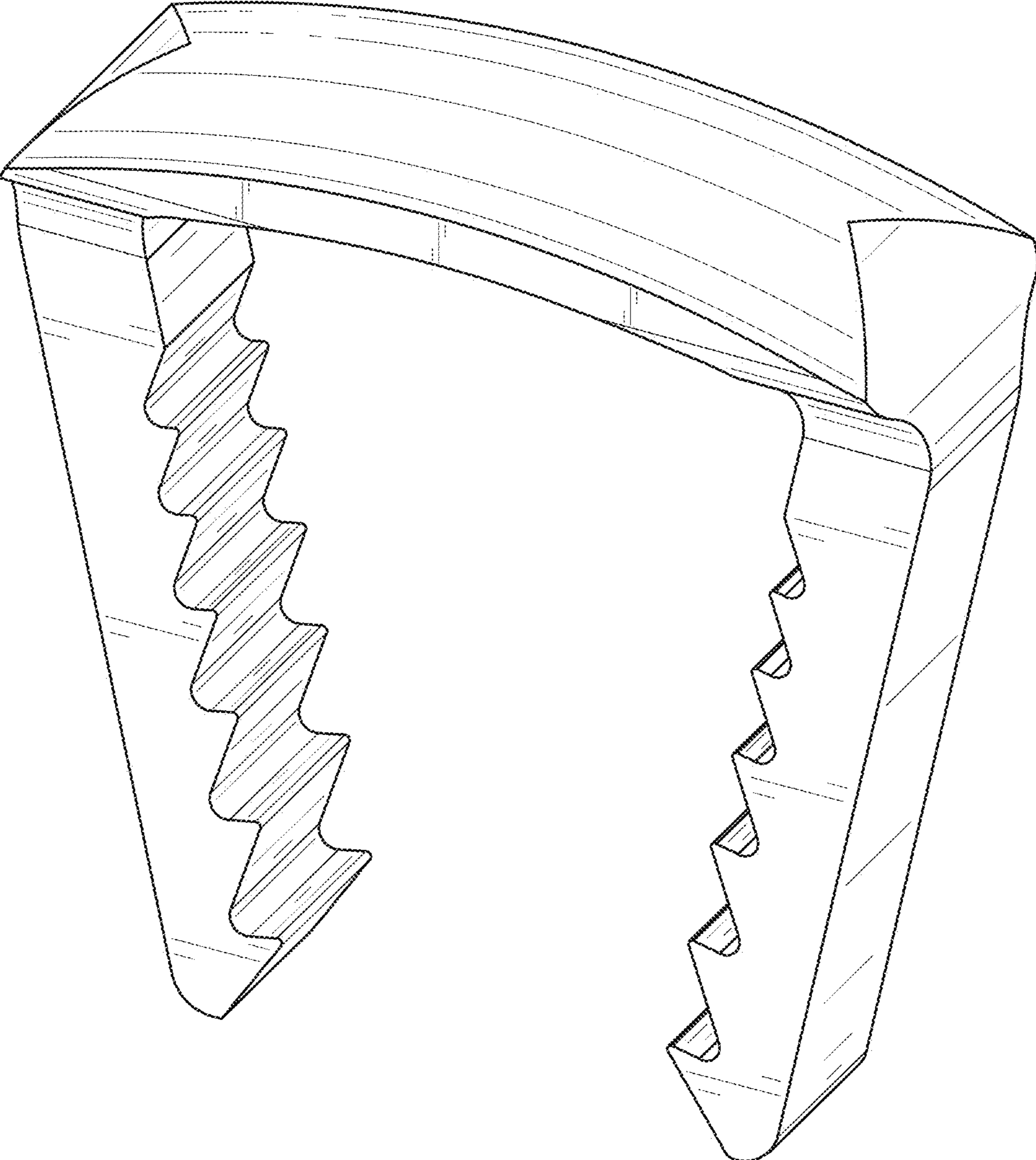


FIG. 1

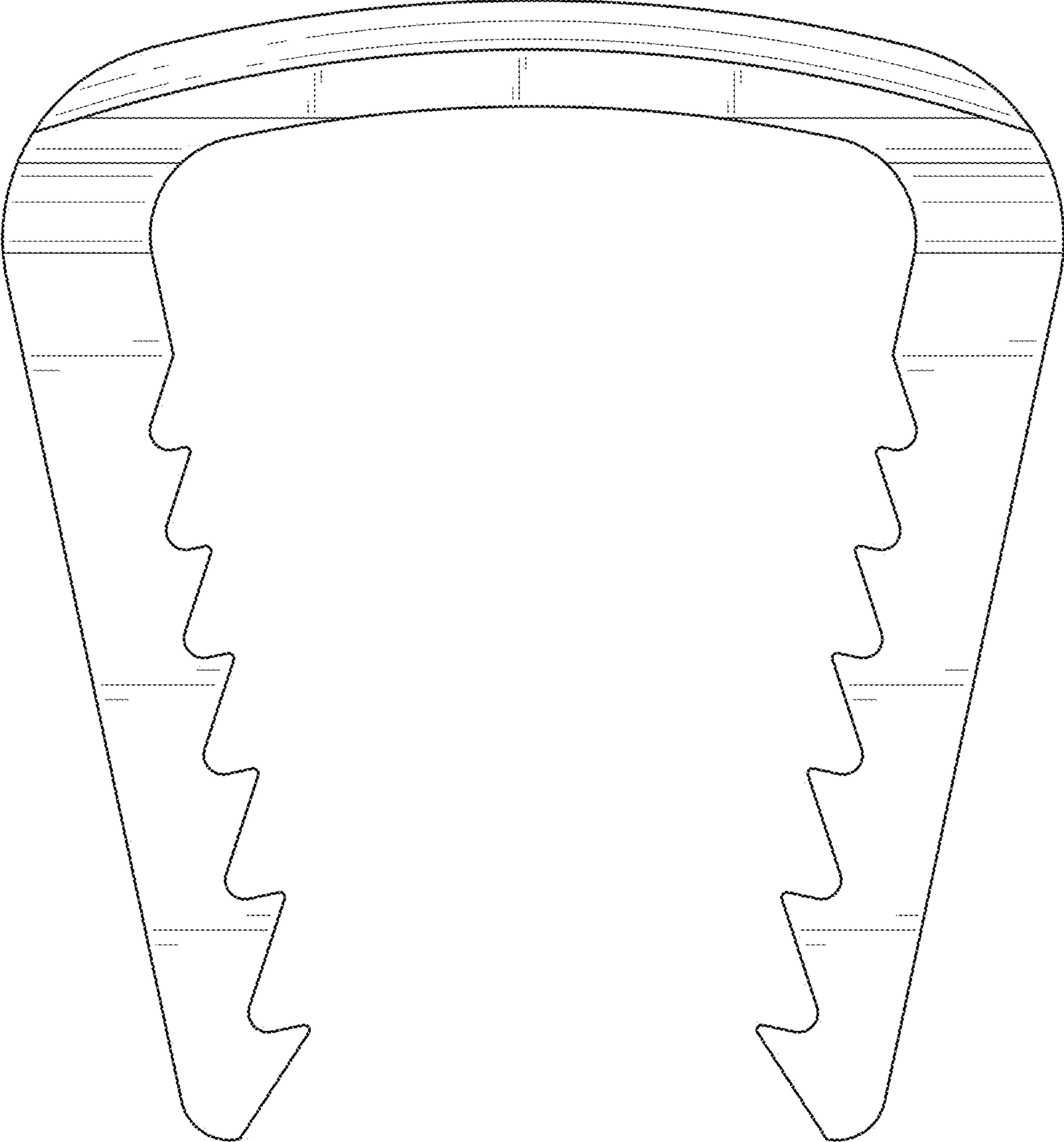


FIG. 2

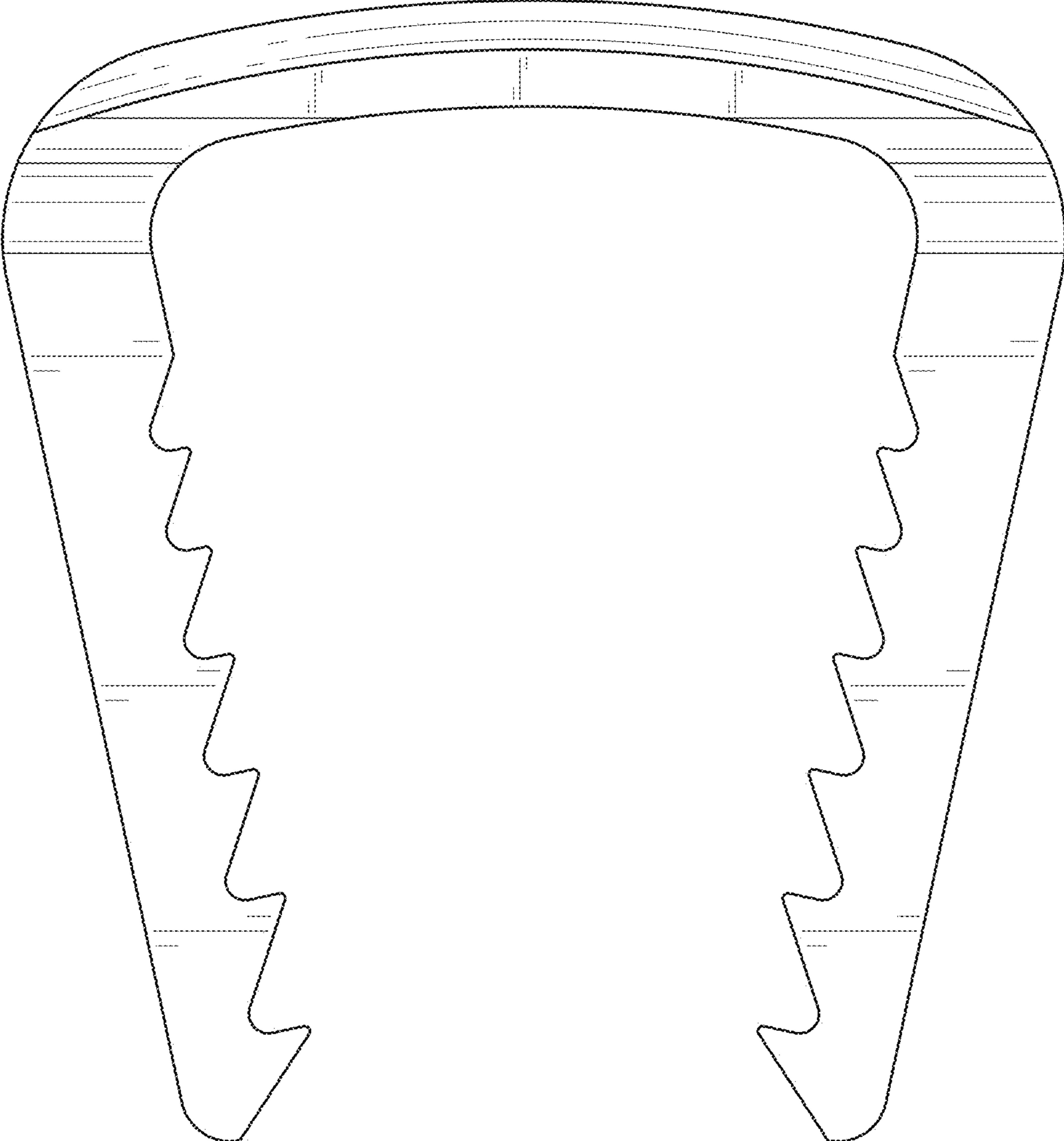


FIG. 3

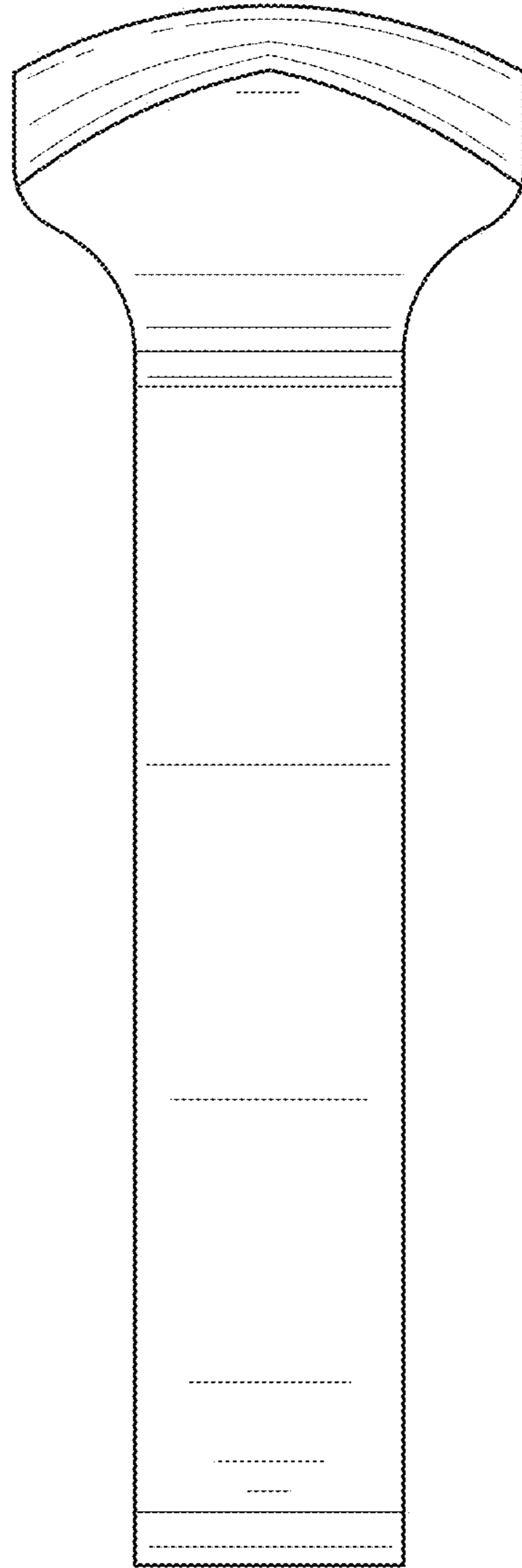


FIG. 4

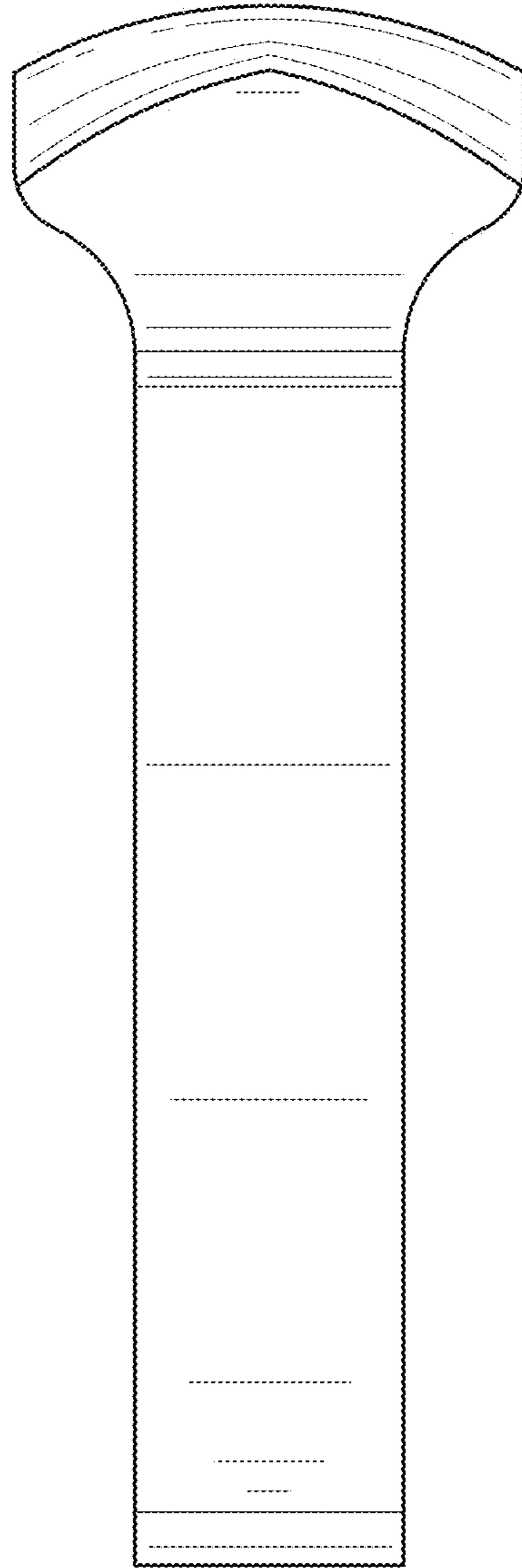


FIG. 5



FIG. 6

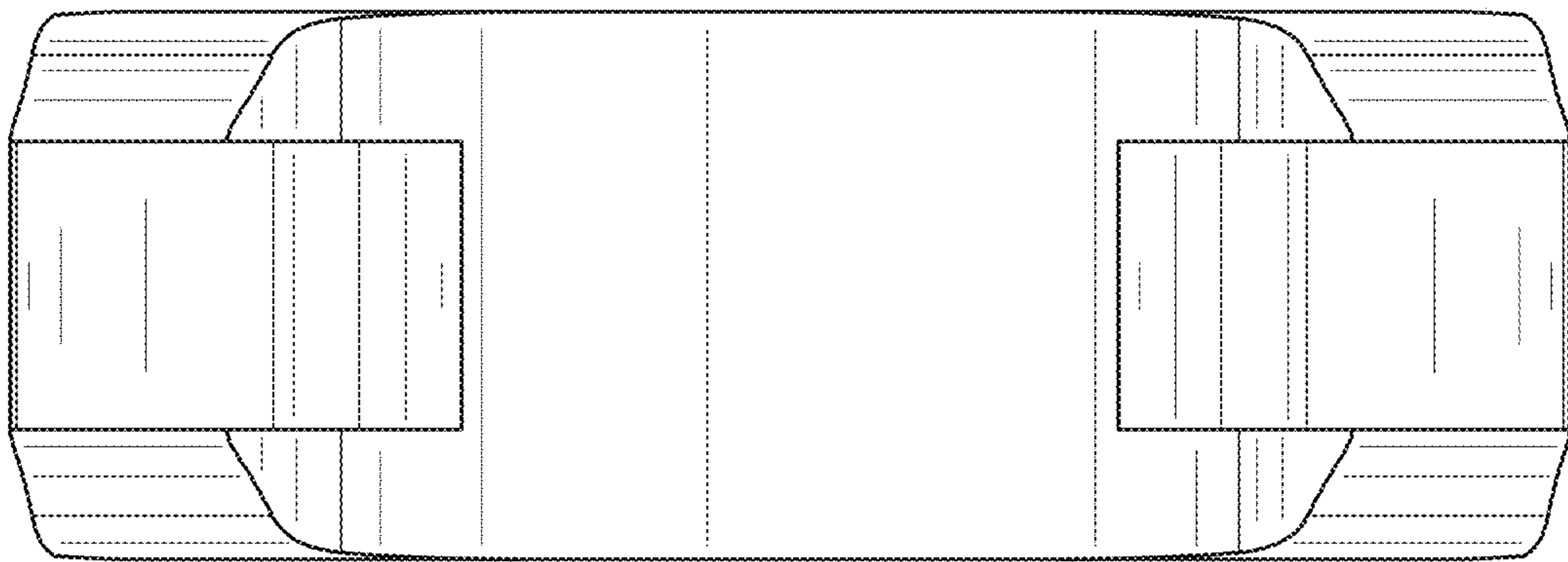


FIG. 7

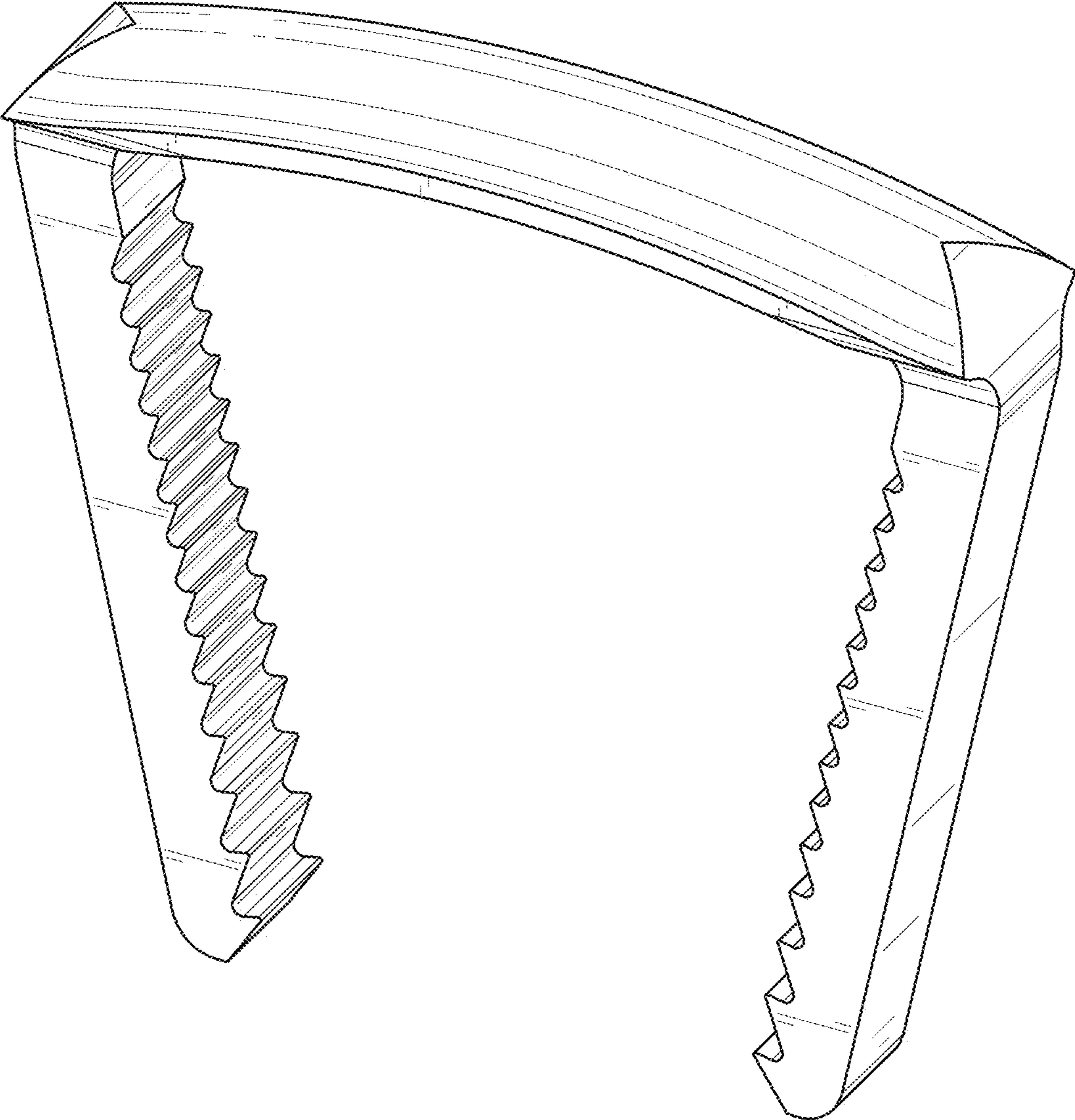


FIG. 8

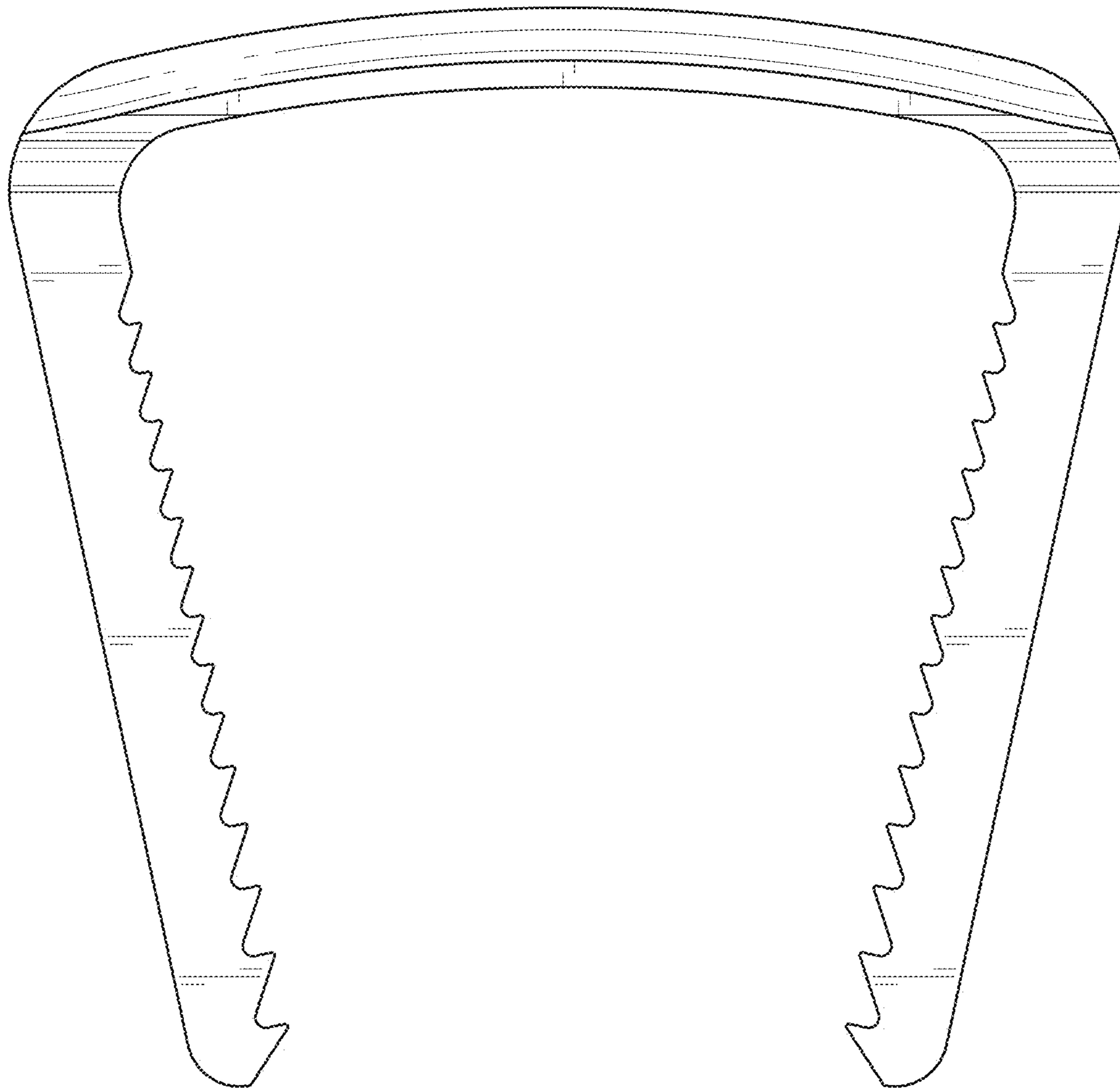


FIG. 9

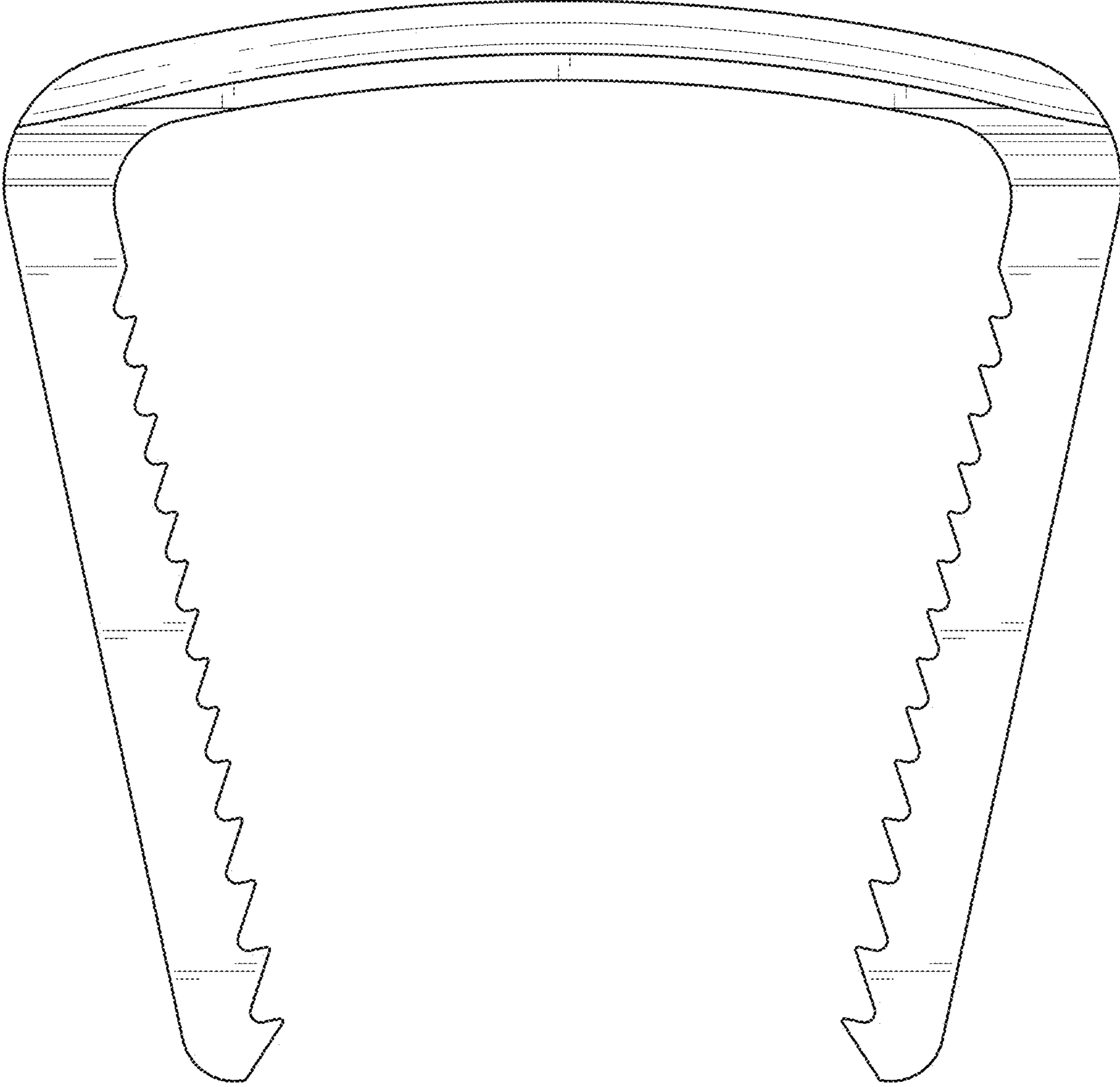


FIG. 10

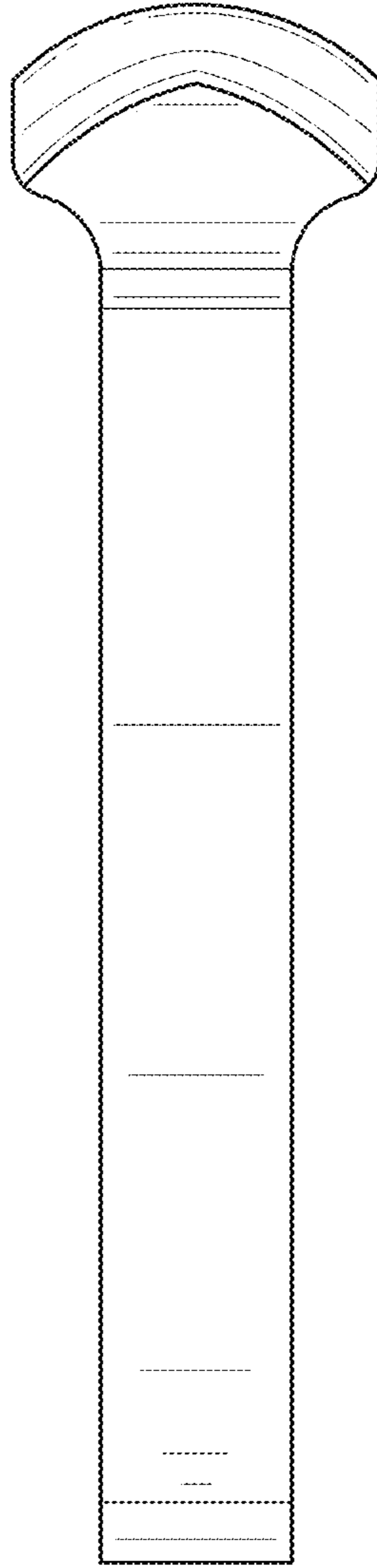


FIG. 11

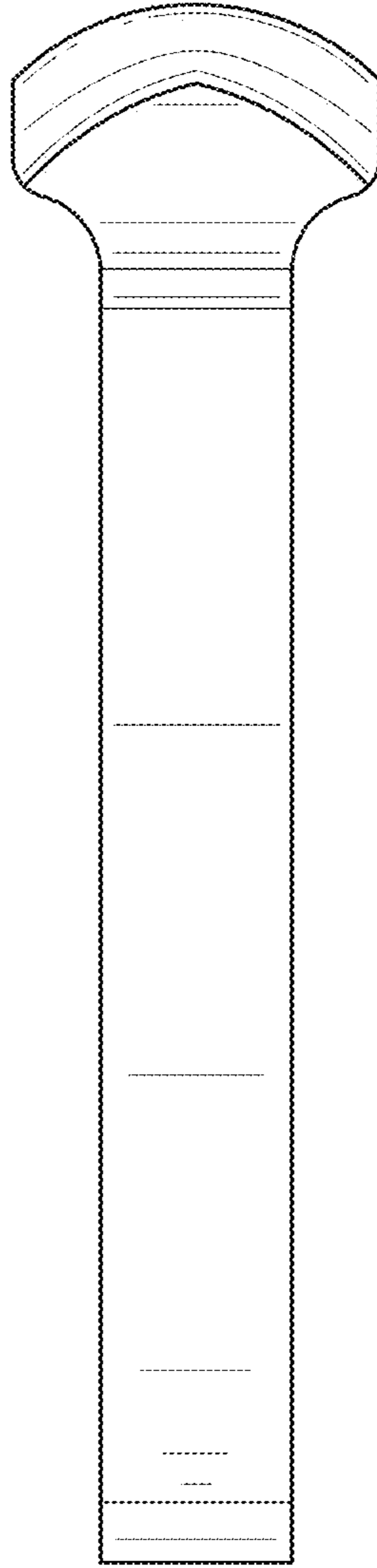


FIG. 12

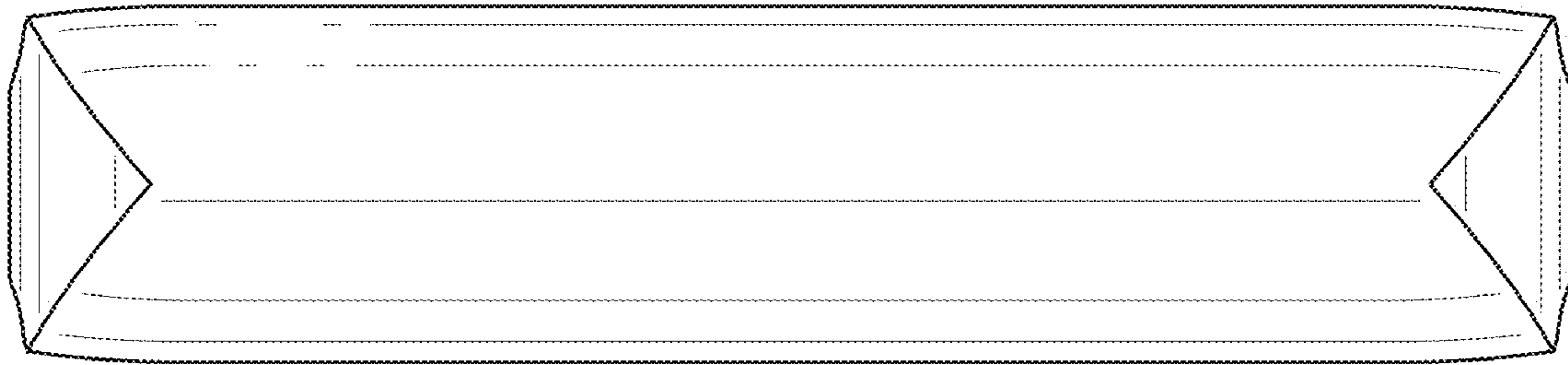


FIG. 13

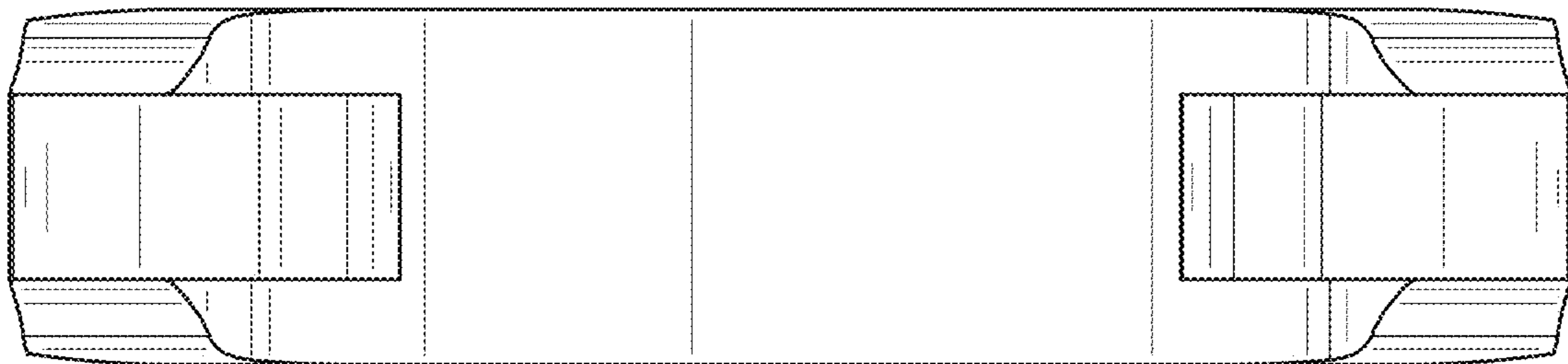


FIG. 14