



US00D895112S

(12) **United States Design Patent**
Miller et al.

(10) **Patent No.:** **US D895,112 S**
(45) **Date of Patent:** **** Sep. 1, 2020**

- (54) **LAPAROSCOPIC BIPOLAR ELECTROSURGICAL DEVICE**
- (71) Applicant: **Ethicon LLC**, Guaynabo, PR (US)
- (72) Inventors: **Matthew C. Miller**, Cincinnati, OH (US); **Chad P. Boudreaux**, Cincinnati, OH (US); **Shawn C. Snyder**, Greendale, IN (US)
- (73) Assignee: **Ethicon LLC**, Guaynabo, PR (US)
- (**) Term: **15 Years**
- (21) Appl. No.: **29/670,383**
- (22) Filed: **Nov. 15, 2018**
- (51) **LOC (12) Cl.** **24-02**
- (52) **U.S. Cl.**
USPC **D24/144; D24/146**
- (58) **Field of Classification Search**
USPC **D24/143-149, 133**
CPC **A61B 17/2841; A61B 17/285; A61B 17/2909; A61B 17/29; A61B 17/295; A61B 2017/2901; A61B 2017/320028; A61B 18/1445; A61B 2018/1455**
See application file for complete search history.

4,196,836 A	4/1980	Becht
4,203,430 A	5/1980	Takahashi
4,235,177 A	11/1980	Arbuckle
4,239,308 A	12/1980	Bradley
4,406,237 A	9/1983	Eguchi
4,417,532 A	11/1983	Yasukata
4,440,171 A	4/1984	Nomoto
4,557,265 A	12/1985	Andersson
4,624,254 A	11/1986	McGarry et al.
4,880,015 A	11/1989	Nierman
4,890,614 A	1/1990	Kawada
4,899,746 A	2/1990	Brunk
4,942,866 A	7/1990	Usami
5,020,514 A	6/1991	Heckele
5,052,402 A	10/1991	Bencini et al.
5,133,723 A	7/1992	Li
D330,253 S	10/1992	Burek
5,209,747 A	5/1993	Knoepfler
5,224,954 A	7/1993	Watts
5,282,806 A	2/1994	Haber et al.
5,289,963 A	3/1994	McGarry et al.
5,306,281 A	4/1994	Beurrier
5,308,353 A	5/1994	Beurrier
5,312,023 A	5/1994	Green et al.
5,318,578 A	6/1994	Hasson

(Continued)

Primary Examiner — Wan Laymon

(57) **CLAIM**

The ornamental design for a laparoscopic bipolar electro-surgical device, as shown and described.

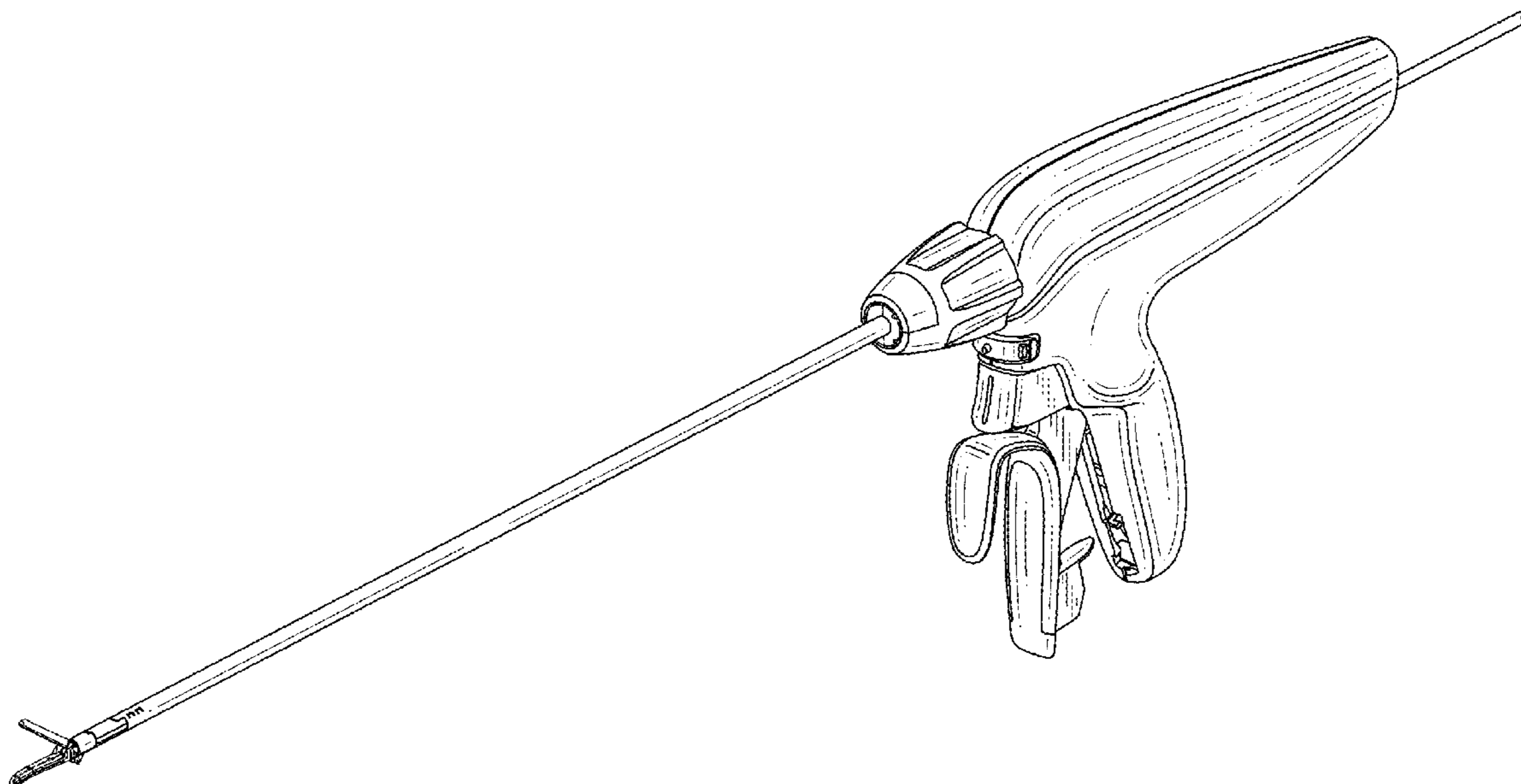
DESCRIPTION

FIG. 1 is a top perspective view of a laparoscopic bipolar electro-surgical device;
FIG. 2 is a top plan view thereof;
FIG. 3 is a right side elevation view thereof;
FIG. 4 is a bottom plan view thereof;
FIG. 5 is a left side elevation view thereof;
FIG. 6 is a front elevation view thereof; and,
FIG. 7 is a rear elevation view thereof.

1 Claim, 4 Drawing Sheets

(56) **References Cited**
U.S. PATENT DOCUMENTS

1,203,244 A	10/1916	Nash
1,579,379 A	4/1926	Marbel
1,822,330 A	9/1931	Ainslie
1,884,149 A	10/1932	Nullmeyer
2,291,181 A	7/1942	Alderman
3,168,097 A	2/1965	Earlco
3,598,281 A	8/1971	Watermeier
3,749,238 A	7/1973	Taylor
4,027,608 A	6/1977	Arbuckle
4,123,982 A	11/1978	Bess, Jr.



(56)

References Cited

U.S. PATENT DOCUMENTS

5,330,502 A	7/1994	Hassler et al.	5,947,982 A	9/1999	Duran
5,344,061 A	9/1994	Crainich	5,954,731 A	9/1999	Yoon
5,383,888 A	1/1995	Zvenyatsky et al.	5,954,733 A	9/1999	Yoon
5,389,103 A	2/1995	Melzer	5,976,074 A	11/1999	Moriyama
5,403,347 A	4/1995	Roby	5,993,381 A	11/1999	Ito
5,403,354 A	4/1995	Adams	5,993,466 A	11/1999	Yoon
5,437,681 A	8/1995	Meade	6,016,905 A	1/2000	Gemma
5,454,823 A	10/1995	Richardson	6,053,908 A	4/2000	Crainich
5,458,609 A	10/1995	Gordon et al.	6,056,771 A	5/2000	Proto
5,470,338 A	11/1995	Whitfield et al.	6,068,647 A	5/2000	Witt
5,478,344 A	12/1995	Stone	6,071,289 A	6/2000	Stefanchik
5,478,345 A	12/1995	Stone	6,096,051 A	6/2000	Kortenbach
5,480,406 A	1/1996	Nolan	6,086,601 A	7/2000	Yoon
5,527,321 A	6/1996	Hinchliffe	6,126,666 A	10/2000	Trapp
5,540,704 A	7/1996	Gordon et al.	6,129,741 A	10/2000	Wurster
5,540,705 A	7/1996	Meade	6,135,385 A	10/2000	Martinez
5,540,706 A	7/1996	Aust	6,136,010 A	10/2000	Modesitt
5,549,542 A	8/1996	Kovalcheck	6,138,440 A	10/2000	Gemma
5,553,477 A	9/1996	Eisensmith	6,152,934 A	11/2000	Harper
5,554,170 A	9/1996	Roby	6,162,208 A	12/2000	Hipps
5,560,532 A	10/1996	DeFonzo et al.	6,214,030 B1	4/2001	Matsutani
5,569,301 A	10/1996	Granger	6,231,565 B1	5/2001	Tovey
5,571,090 A	11/1996	Sherts	6,332,888 B1	12/2001	Levy
5,591,181 A	1/1997	Stone	6,332,889 B1	12/2001	Sancoff
5,593,421 A	1/1997	Bauer	6,364,888 B1	4/2002	Niemeyer et al.
5,607,450 A	3/1997	Zvenyatsky et al.	6,443,962 B1	9/2002	Gaber
5,610,653 A	3/1997	Abecassis	6,454,778 B2	9/2002	Kortenbach
5,617,952 A	4/1997	Kranendonk	6,458,142 B1	10/2002	Faller et al.
5,630,825 A	5/1997	De	6,481,568 B1	11/2002	Cerwin
5,632,432 A	5/1997	Schulze et al.	6,533,112 B2	3/2003	Warnecke
5,632,746 A	5/1997	Middleman	6,682,544 B2	1/2004	Mastri
5,643,295 A	7/1997	Yoon	6,719,763 B2	4/2004	Chung
5,645,552 A	7/1997	Sherts	6,719,764 B1	4/2004	Gellman
5,649,961 A	7/1997	McGregor et al.	6,743,239 B1	6/2004	Kuehn
D383,539 S	9/1997	Croley	6,755,843 B2	6/2004	Chung
5,665,096 A	9/1997	Yoon	6,783,524 B2	8/2004	Anderson et al.
5,665,109 A	9/1997	Yoon	6,783,537 B1	8/2004	Kuhr
5,669,490 A	9/1997	Colligan	D496,997 S	10/2004	Dycus
5,674,229 A	10/1997	Tovey	6,923,819 B2	8/2005	Meade
5,674,230 A	10/1997	Tovey	6,936,054 B2	8/2005	Chu
5,693,071 A	12/1997	Gorecki	6,939,358 B2	9/2005	Palacios et al.
5,702,408 A	12/1997	Wales et al.	6,955,643 B2	10/2005	Gellman
5,707,379 A	1/1998	Fleenor	7,004,951 B2	2/2006	Gibbens, III
5,709,693 A	1/1998	Taylor	7,022,085 B2	4/2006	Cooke
5,713,910 A	2/1998	Gordon	7,041,111 B2	5/2006	Chu
5,728,107 A	3/1998	Zlock	7,131,979 B2	11/2006	DiCarlo et al.
5,728,108 A	3/1998	Griffiths	7,144,401 B2	12/2006	Yamamoto
5,728,109 A	3/1998	Schulze	7,156,846 B2	1/2007	Dycus
5,733,293 A	3/1998	Scirica	7,232,447 B2	6/2007	Gellman
5,741,277 A	4/1998	Gordon	7,235,087 B2	6/2007	Modesitt
5,755,729 A	5/1998	De	7,278,563 B1	10/2007	Green
5,759,188 A	6/1998	Yoon	7,338,504 B2	3/2008	Gibbens
5,766,186 A	6/1998	Faraz	7,442,198 B2	10/2008	Gellman
5,766,196 A	6/1998	Griffiths	7,491,166 B2	2/2009	Ueno
5,776,186 A	7/1998	Uflacker	7,520,382 B2	4/2009	Kennedy
5,792,135 A	8/1998	Madhani et al.	7,524,320 B2	4/2009	Tierney et al.
5,792,151 A	8/1998	Heck	D594,983 S	6/2009	Price
5,797,927 A	8/1998	Yoon	7,582,096 B2	9/2009	Gellman
5,814,054 A	9/1998	Kortenbach	7,588,583 B2	9/2009	Hamilton
5,814,069 A	9/1998	Schulze	7,604,611 B2	10/2009	Falwell
5,817,084 A	10/1998	Jensen	7,615,060 B2	11/2009	Stokes
5,846,254 A	12/1998	Schulze et al.	7,628,796 B2	12/2009	Shelton, IV et al.
5,860,992 A	1/1999	Daniel	7,637,369 B2	12/2009	Kennedy
5,865,836 A	2/1999	Miller	7,666,194 B2	2/2010	Field
5,871,488 A	2/1999	Tovey	7,686,831 B2	3/2010	Stokes
5,878,193 A	3/1999	Wang et al.	7,691,095 B2	4/2010	Bednarek
5,888,192 A	3/1999	Heimberger	7,691,098 B2	4/2010	Wallace et al.
5,897,563 A	4/1999	Yoon	7,699,860 B2	4/2010	Huitema
5,904,667 A	5/1999	Falwell	7,703,653 B2	4/2010	Shah et al.
5,908,428 A	6/1999	Scirica	D618,797 S	6/2010	Price
5,911,727 A	6/1999	Taylor	7,763,036 B2	7/2010	Stokes
5,921,956 A	7/1999	Grinberg	D621,932 S	8/2010	Sonleiter et al.
5,928,668 A	7/1999	Greaves	7,766,925 B2	8/2010	Stokes
5,941,430 A	8/1999	Kuwabara	7,770,365 B2	8/2010	Enriquez, III
5,944,724 A	8/1999	Lizardi	7,806,891 B2	10/2010	Nowlin et al.
			7,815,654 B2	10/2010	Chu
			7,824,401 B2	11/2010	Manzo et al.
			7,828,812 B2	11/2010	Stokes
			7,833,235 B2	11/2010	Chu

(56)

References Cited

U.S. PATENT DOCUMENTS

7,833,236 B2	11/2010	Stokes	8,696,687 B2	4/2014	Gellman
7,842,048 B2	11/2010	Ma	8,702,729 B2	4/2014	Chu
D629,098 S	12/2010	Sonleiter et al.	8,702,732 B2	4/2014	Woodard, Jr.
7,846,169 B2	12/2010	Shelton, IV	8,709,021 B2	4/2014	Chu
7,857,812 B2	12/2010	Dycus	8,746,445 B2	6/2014	Kennedy
7,862,572 B2	1/2011	Meade	8,747,304 B2	6/2014	Zeiner
7,862,575 B2	1/2011	Tal	8,771,295 B2	7/2014	Chu
7,862,582 B2	1/2011	Ortiz	8,821,518 B2	9/2014	Saliman
D631,965 S	2/2011	Price	8,821,519 B2	9/2014	Meade
7,887,554 B2	2/2011	Stokes	8,833,549 B2	9/2014	Kirsch
7,891,485 B2	2/2011	Prescott	8,858,572 B2	10/2014	Klundt
7,896,890 B2	3/2011	Ortiz	D716,945 S	11/2014	Miller et al.
7,909,220 B2	3/2011	Viola	D718,435 S	11/2014	Deckman et al.
7,922,063 B2	4/2011	Zemlok et al.	8,906,043 B2	12/2014	Woodard, Jr.
7,935,128 B2	5/2011	Rioux	8,920,440 B2	12/2014	Mcclurg
7,942,886 B2	5/2011	Alvarado	8,920,441 B2	12/2014	Saliman
7,947,052 B2	5/2011	Baxter, III	8,925,783 B2	1/2015	Zemlok
7,976,553 B2	7/2011	Shelton, IV	D724,209 S	3/2015	Sun
7,976,555 B2	7/2011	Meade	8,968,337 B2	3/2015	Whitfield
7,993,354 B1	8/2011	Brecher et al.	8,968,356 B2	3/2015	Mueller
8,012,161 B2	9/2011	Primavera	9,060,769 B2	6/2015	Coleman
8,016,840 B2	9/2011	Takemoto	9,113,861 B2	8/2015	Yoo
8,021,375 B2	9/2011	Aldrich	9,113,876 B2	8/2015	Racenet
8,048,092 B2	11/2011	Modesitt	D737,966 S	9/2015	Meguro
8,057,386 B2	11/2011	Aznoian	9,125,645 B1	9/2015	Martin
8,066,737 B2	11/2011	Meade	9,168,037 B2	10/2015	Woodard, Jr.
8,100,922 B2	1/2012	Griffith	D745,146 S	12/2015	Hess
8,118,820 B2	2/2012	Stokes	D745,670 S	12/2015	Czupalla
8,123,752 B2	2/2012	Zucherman	D747,477 S	1/2016	Freigang et al.
8,123,764 B2	2/2012	Meade	D747,802 S	1/2016	Freigang et al.
8,136,656 B2	3/2012	Kennedy	D748,254 S	1/2016	Freigang et al.
8,187,288 B2	5/2012	Chu	9,241,712 B2	1/2016	Zemlok
D661,801 S	6/2012	Price	9,247,938 B2	2/2016	Martin
D661,803 S	6/2012	Price	D752,737 S	3/2016	Ohashi
D661,804 S	6/2012	Price	9,277,916 B2	3/2016	Martin
8,196,739 B2	6/2012	Kirsch	9,289,206 B2	3/2016	Hess
8,201,721 B2	6/2012	Zemlok et al.	D754,856 S	4/2016	Martin
8,206,284 B2	6/2012	Aznoian	9,314,292 B2	4/2016	Trees
8,211,143 B2	7/2012	Stefanchik	9,351,754 B2	5/2016	Vakharia
8,236,010 B2	8/2012	Ortiz et al.	9,357,998 B2	6/2016	Martin
8,236,013 B2	8/2012	Chu	9,370,354 B1	6/2016	Martin
8,241,320 B2	8/2012	Lyons	9,375,212 B2	6/2016	Martin
8,246,637 B2	8/2012	Viola	9,402,680 B2	8/2016	Ginnebaugh et al.
8,252,008 B2	8/2012	Ma	9,427,226 B2	8/2016	Martin
8,256,613 B2	9/2012	Kirsch	9,427,228 B2	8/2016	Hart
8,257,369 B2	9/2012	Gellman	9,451,946 B2	9/2016	Woodard, Jr.
8,257,371 B2	9/2012	Hamilton	D768,854 S	10/2016	Halleck et al.
8,292,067 B2	10/2012	Chowaniec	D771,811 S	11/2016	Reyhan
8,292,906 B2	10/2012	Taylor	9,486,209 B2	11/2016	Martin
8,307,978 B2	11/2012	Kirsch	9,498,207 B2	11/2016	Martin
8,333,776 B2	12/2012	Cheng	9,526,495 B2	12/2016	Martin
D674,913 S	1/2013	Koop	D776,259 S	1/2017	Eldredge
8,361,089 B2	1/2013	Chu	D776,260 S	1/2017	Eldredge
8,366,725 B2	2/2013	Chu	D777,327 S	1/2017	Halleck et al.
8,372,090 B2	2/2013	Wingardner	9,554,793 B2	1/2017	Lane
8,398,660 B2	3/2013	Chu	D794,193 S	8/2017	Schuerg
8,460,320 B2	6/2013	Hirzel	D798,445 S	9/2017	Heni et al.
8,469,973 B2	6/2013	Meade	9,782,164 B2	10/2017	Mumaw
8,474,522 B2	7/2013	Lynde	9,788,830 B2	10/2017	Martin
8,490,713 B2	7/2013	Furnish	D803,396 S	11/2017	Oberkircher et al.
D687,549 S	8/2013	Johnson	D806,230 S	12/2017	Johnson et al.
8,500,756 B2	8/2013	Papa	9,949,788 B2	4/2018	Boudreaux
8,512,243 B2	8/2013	Stafford	9,993,284 B2 *	6/2018	Boudreaux A61B 18/1445
8,518,058 B2	8/2013	Gellman	10,076,379 B2	9/2018	Boudreaux
8,551,122 B2	10/2013	Lau	10,166,065 B2 *	1/2019	Boudreaux A61B 17/295
8,556,069 B2	10/2013	Kirsch	D865,964 S *	11/2019	Miller D24/144
8,562,630 B2	10/2013	Campbell	2001/0025134 A1	9/2001	Bon
8,568,428 B2	10/2013	Mcclurg	2001/0027312 A1	10/2001	Bacher et al.
8,579,918 B2	11/2013	Whitfield	2002/0138084 A1	9/2002	Weber
8,585,734 B2	11/2013	Hallbeck	2002/0193809 A1	12/2002	Meade
8,603,089 B2	12/2013	Viola	2003/0073902 A1	4/2003	Hauschild et al.
8,623,027 B2	1/2014	Price et al.	2003/0083674 A1	5/2003	Gibbens
8,623,048 B2	1/2014	Brecher	2003/0208100 A1	11/2003	Levy
8,641,728 B2	2/2014	Stokes	2003/0233104 A1	12/2003	Gellman et al.
8,663,253 B2	3/2014	Saliman	2004/0050721 A1	3/2004	Roby
			2004/0172047 A1	9/2004	Gellman
			2004/0260314 A1	12/2004	Lizardi
			2005/0015101 A1	1/2005	Gibbens
			2005/0216038 A1	9/2005	Meade

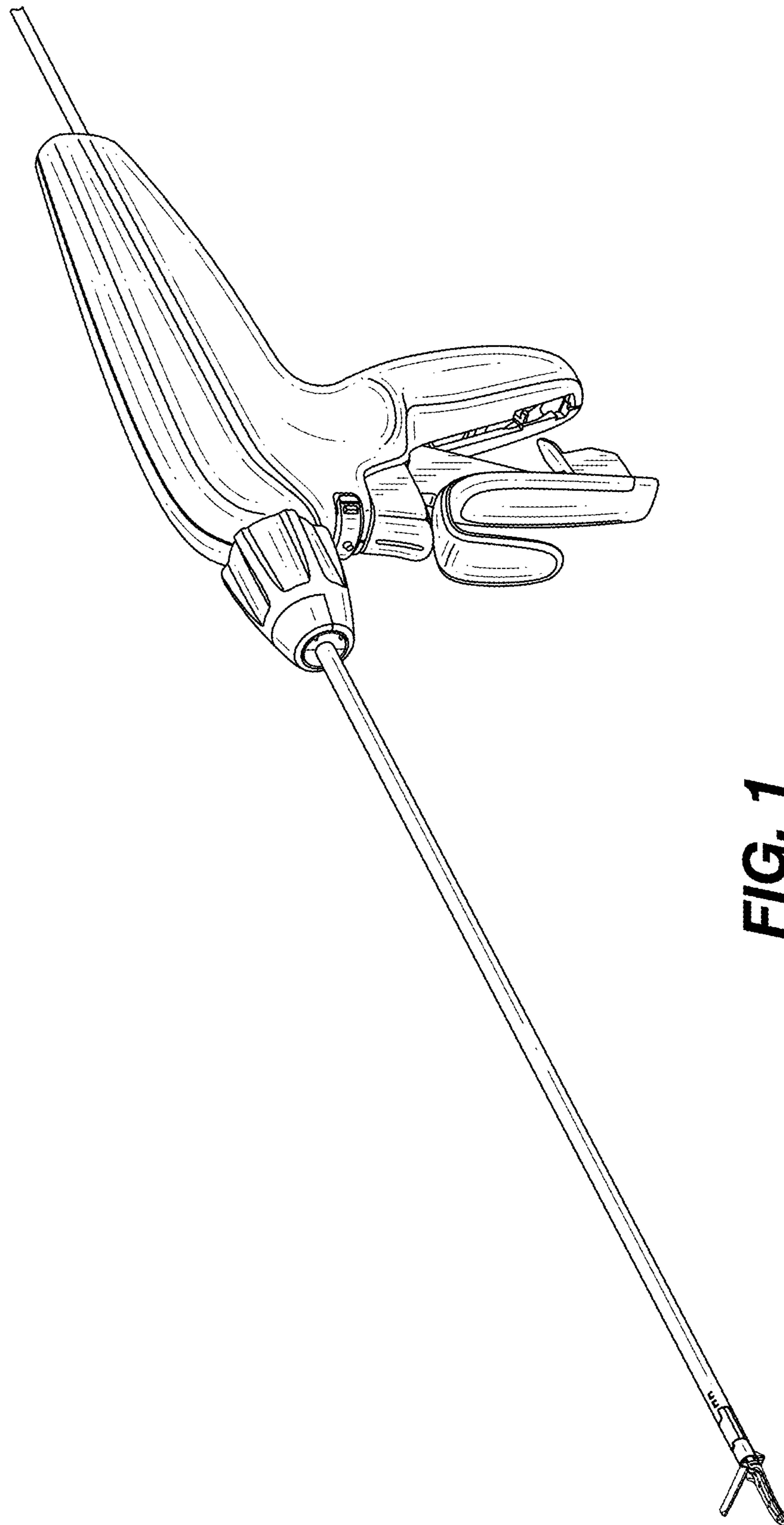
(56)

References Cited

U.S. PATENT DOCUMENTS

2006/0036232 A1	2/2006	Primavera	2012/0109163 A1	5/2012	Chu	
2006/0047309 A1	3/2006	Cichocki, Jr.	2012/0116388 A1	5/2012	Houser	
2006/0069396 A1	3/2006	Meade et al.	2012/0123471 A1	5/2012	Woodard, Jr.	
2006/0111732 A1	5/2006	Gibbens	2012/0130404 A1	5/2012	Meade	
2006/0173491 A1	8/2006	Meade	2012/0143248 A1	6/2012	Brecher	
2006/0190027 A1	8/2006	Downey	2012/0165837 A1	6/2012	Belman	
2006/0259073 A1	11/2006	Miyamoto	2012/0165838 A1	6/2012	Kobylewski	
2006/0281970 A1	12/2006	Stokes	2012/0184946 A1	7/2012	Price	
2006/0282096 A1	12/2006	Papa	2012/0215234 A1	8/2012	Chowaniec	
2006/0282097 A1	12/2006	Ortiz	2012/0220832 A1	8/2012	Nakade	
2006/0282098 A1	12/2006	Shelton, IV et al.	2012/0226292 A1	9/2012	Hirzel	
2006/0282099 A1	12/2006	Stokes	2012/0228163 A1	9/2012	Kirsch	
2007/0088372 A1	4/2007	Gellman	2012/0232567 A1	9/2012	Fairney	
2007/0162052 A1	7/2007	Hashimoto	2012/0283748 A1	11/2012	Ortiz	
2007/0173864 A1	7/2007	Chu	2012/0283750 A1	11/2012	Saliman	
2007/0256945 A1	11/2007	Kennedy	2012/0283755 A1	11/2012	Gellman	
2008/0091220 A1	4/2008	Chu	2013/0041388 A1	2/2013	Lane	
2008/0103357 A1	5/2008	Zeiner	2013/0103024 A1	4/2013	Monson	
2008/0109015 A1	5/2008	Chu et al.	2013/0103065 A1	4/2013	Timm	
2008/0132919 A1	6/2008	Chui	2013/0123782 A1	5/2013	Trees	
2008/0177134 A1	7/2008	Miyamoto	2013/0158593 A1	6/2013	Kiapour	
2008/0228204 A1	9/2008	Hamilton	2013/0282031 A1	10/2013	Woodard, Jr.	
2008/0243146 A1	10/2008	Sloan	2013/0296889 A1	11/2013	Tong	
2008/0255590 A1	10/2008	Meade	2013/0324998 A1	12/2013	Kimball	
2009/0024145 A1	1/2009	Meade	2013/0331866 A1	12/2013	Gellman	
2009/0084826 A1	4/2009	Shah	2014/0005681 A1	1/2014	Gee	
2009/0088792 A1	4/2009	Hoell, Jr.	2014/0005704 A1	1/2014	Vakharia	
2009/0105750 A1	4/2009	Price	2014/0008621 A1	1/2014	Kaminaga	
2009/0205987 A1	8/2009	Kennedy	2014/0012237 A1	1/2014	Pribanic et al.	
2009/0209980 A1	8/2009	Harris	2014/0110456 A1	4/2014	Taylor	
2009/0248041 A1	10/2009	Williams	2014/0166514 A1	6/2014	Martin et al.	
2009/0259092 A1	10/2009	Ogdahl	2014/0171978 A1	6/2014	Martin	
2009/0287226 A1	11/2009	Gellman	2014/0171979 A1	6/2014	Martin	
2009/0312772 A1	12/2009	Chu	2014/0172015 A1	6/2014	Martin	
2010/0010512 A1	1/2010	Taylor	2014/0228865 A1	8/2014	Weisel et al.	
2010/0016866 A1	1/2010	Meade	2014/0277107 A1	9/2014	Ishida et al.	
2010/0023024 A1	1/2010	Zeiner et al.	2014/0305988 A1	10/2014	Boudreaux	
2010/0036415 A1	2/2010	Cabezas	2015/0088133 A1	3/2015	Minskoff et al.	
2010/0042116 A1	2/2010	Chui	2015/0127024 A1	5/2015	Berry	
2010/0063519 A1	3/2010	Park	2015/0142020 A1	5/2015	Woodard, Jr.	
2010/0078336 A1	4/2010	Reyhan	2015/0272660 A1	10/2015	Boudreaux et al.	
2010/0100125 A1	4/2010	Mahadevan	2015/0297286 A1*	10/2015	Boudreaux	A61B 18/1445 606/51
2010/0152751 A1	6/2010	Meade	2015/0351749 A1	12/2015	Martin	
2010/0274265 A1	10/2010	Wingardner	2015/0351756 A1	12/2015	Martin	
2011/0015627 A1	1/2011	DiNardo et al.	2015/0374372 A1	12/2015	Zergiebel et al.	
2011/0015631 A1	1/2011	Wiener	2016/0220099 A1	8/2016	Schouwink et al.	
2011/0028999 A1	2/2011	Chu	2016/0278848 A1*	9/2016	Boudreaux	A61B 18/1445
2011/0040308 A1	2/2011	Cabrera	2016/0331374 A1	11/2016	Martin et al.	
2011/0042245 A1	2/2011	Mcclurg	2016/0338766 A1	11/2016	Ginnebaugh et al.	
2011/0046642 A1	2/2011	Mcclurg	2016/0361055 A1	12/2016	Martin et al.	
2011/0046667 A1	2/2011	Culligan	2016/0367240 A1	12/2016	Shelton, IV et al.	
2011/0060352 A1	3/2011	Chu	2017/0027611 A1	2/2017	Adams et al.	
2011/0082476 A1	4/2011	Furnish	2017/0112487 A1	4/2017	Martin et al.	
2011/0087213 A1	4/2011	Messerly	2017/0112489 A1	4/2017	Shelton, IV et al.	
2011/0163147 A1	7/2011	Laurent	2017/0143361 A1	5/2017	Boudreaux	
2011/0288582 A1	11/2011	Meade	2017/0143408 A1*	5/2017	Worrell	A61B 18/1445
2011/0295278 A1	12/2011	Meade	2017/0251913 A1	10/2017	Pepe et al.	
2012/0004672 A1	1/2012	Giap	2017/0290628 A1	10/2017	Pepe et al.	
2012/0035626 A1	2/2012	Chu	2017/0325671 A1	11/2017	Hopkins, Jr.	
2012/0041456 A1	2/2012	Gellman	2017/0343203 A1	11/2017	Birnkrant	
2012/0055828 A1	3/2012	Kennedy	2017/0360499 A1	12/2017	Greep et al.	
2012/0059396 A1	3/2012	Harris	2018/0199934 A1	7/2018	Martin	
2012/0078243 A1	3/2012	Worrell et al.	2018/0310983 A1*	11/2018	Worrell	A61B 18/1445
			2019/0090896 A1	3/2019	Boudreaux	

* cited by examiner



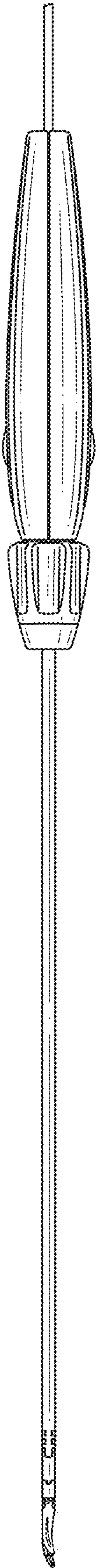


FIG. 2

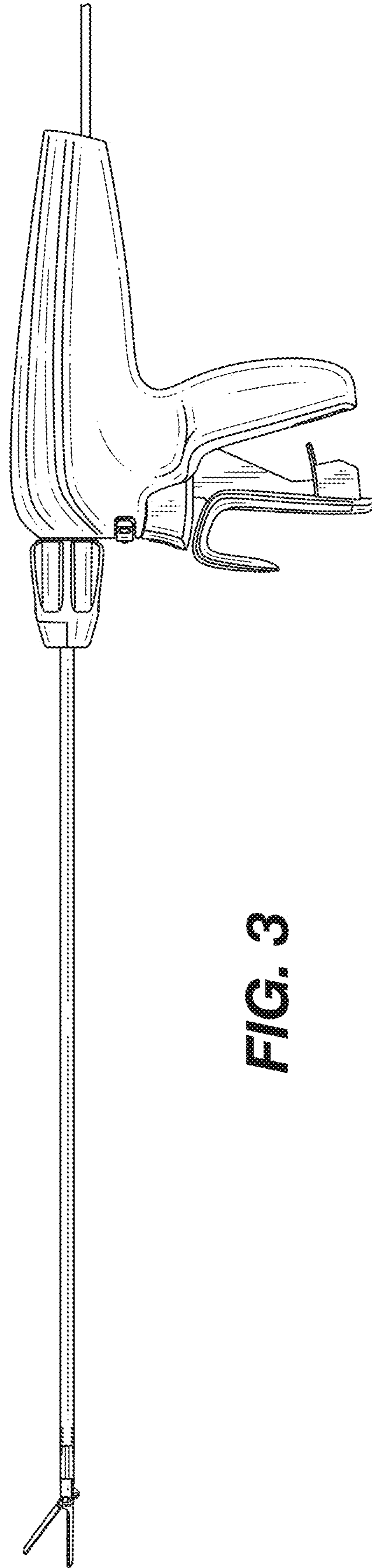


FIG. 3

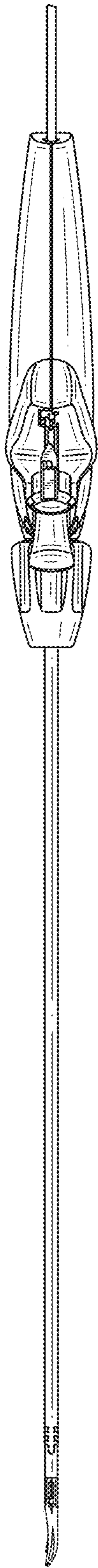


FIG. 4

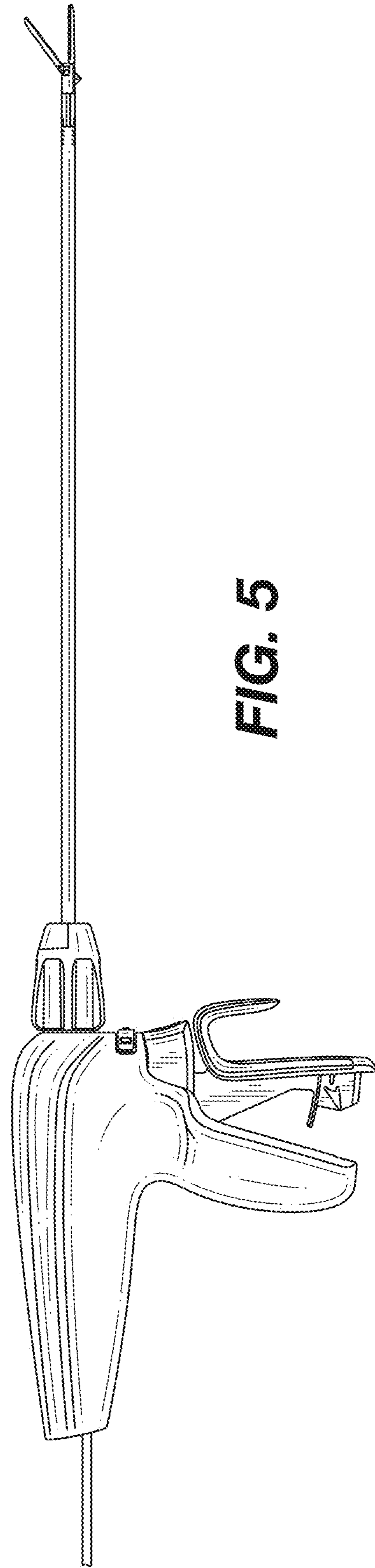


FIG. 5

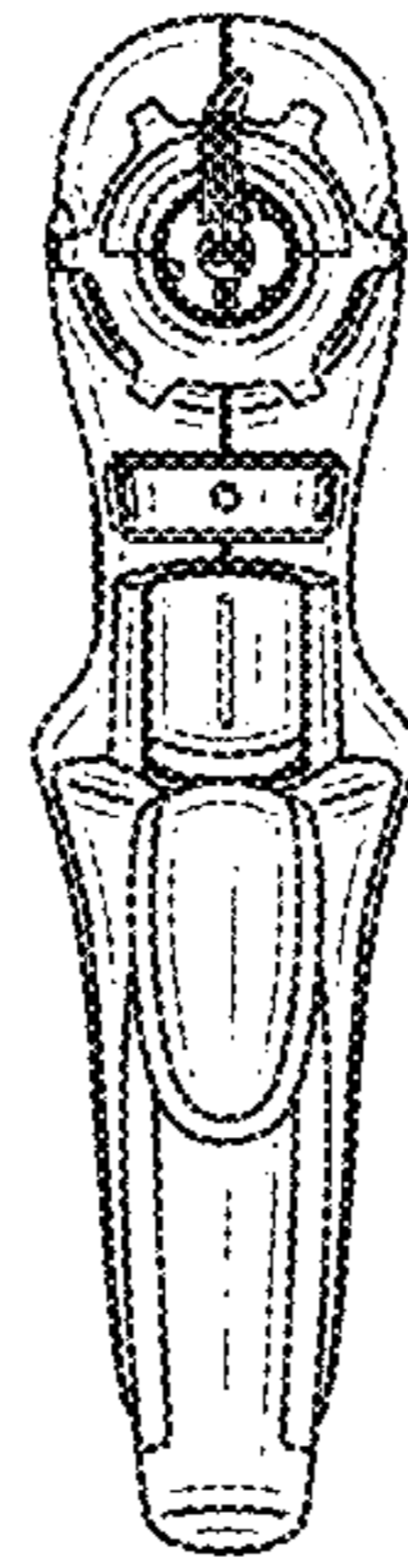


FIG. 6

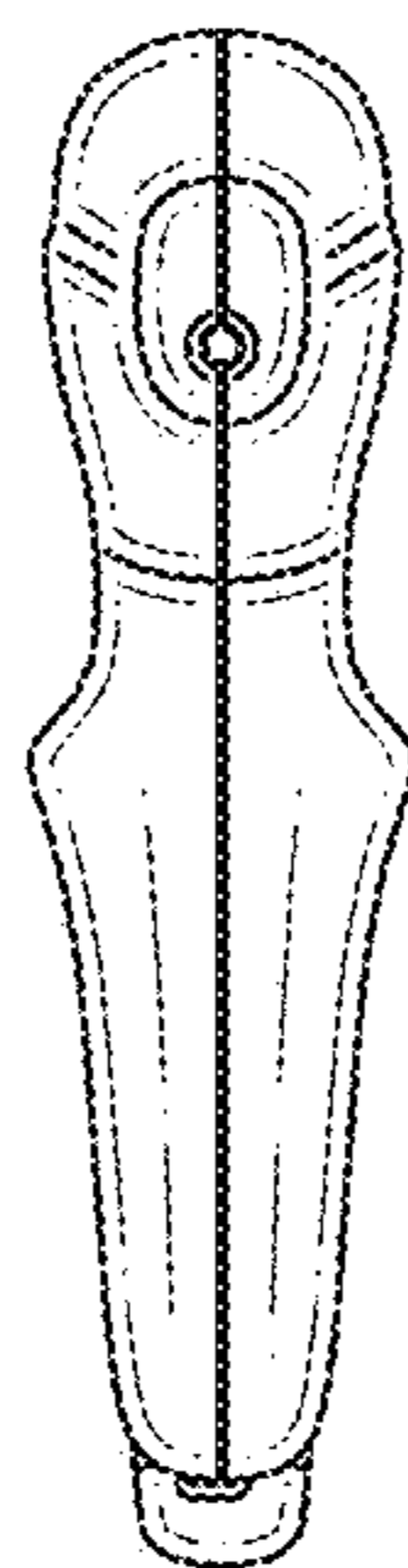


FIG. 7