



US00D895111S

(12) **United States Design Patent**  
**Frey et al.**

(10) **Patent No.: US D895,111 S**

(45) **Date of Patent: \*\* Sep. 1, 2020**

(54) **SACRO-ILIAC GUIDE**

(71) Applicant: **Mighty Oak Medical, Inc.**, Englewood, CO (US)

(72) Inventors: **George A. Frey**, Englewood, CO (US); **Caleb Voelkel**, Pine, CO (US); **Geoff Lai**, Lakewood, CO (US); **Sean Starkman**, Erie, CO (US)

(\*\*) Term: **15 Years**

(21) Appl. No.: **29/675,498**

(22) Filed: **Jan. 2, 2019**

**Related U.S. Application Data**

(63) Continuation of application No. 15/997,404, filed on Jun. 4, 2018.

(51) **LOC (12) Cl.** ..... **24-02**

(52) **U.S. Cl.**  
USPC ..... **D24/140**

(58) **Field of Classification Search**  
USPC ..... D24/133, 135, 140  
CPC ..... A61B 17/1757; A61B 34/10; A61B 2034/108; A61F 2/4611; A61F 2/4405; A61F 2002/30952; A61F 2002/4687; A61F

(Continued)

(56) **References Cited**

**U.S. PATENT DOCUMENTS**

3,151,392 A 10/1964 Chambers  
5,201,734 A 4/1993 Cozad et al.  
D359,557 S 6/1995 Hayes

(Continued)

**FOREIGN PATENT DOCUMENTS**

CA 2736525 3/2010  
CA 2862341 8/2013

(Continued)

**OTHER PUBLICATIONS**

Brussel et al. "Medical Image-Based Design of an Individualized Surgical Guide for Pedicle Screw Insertion." 18th Annual International Conference of the IEEE Engineering in Medicine and Biology Society, Amsterdam 1996, pp. 225-226.

(Continued)

*Primary Examiner* — Bridget L Eland

(74) *Attorney, Agent, or Firm* — FisherBroyles LLP; Ian R. Walsworth

(57) **CLAIM**

The ornamental design for a sacro-iliac guide, as shown and described.

**DESCRIPTION**

FIG. 1 is a front perspective view of a sacro-iliac guide showing our new design;

FIG. 2 is a rear perspective view of the sacro-iliac guide illustrated in FIG. 1;

FIG. 3 is a front elevation view of the sacro-iliac guide illustrated in FIG. 1;

FIG. 4 is a rear elevation view of the sacro-iliac guide illustrated in FIG. 1;

FIG. 5 is a right side elevation view of the sacro-iliac guide illustrated in FIG. 1;

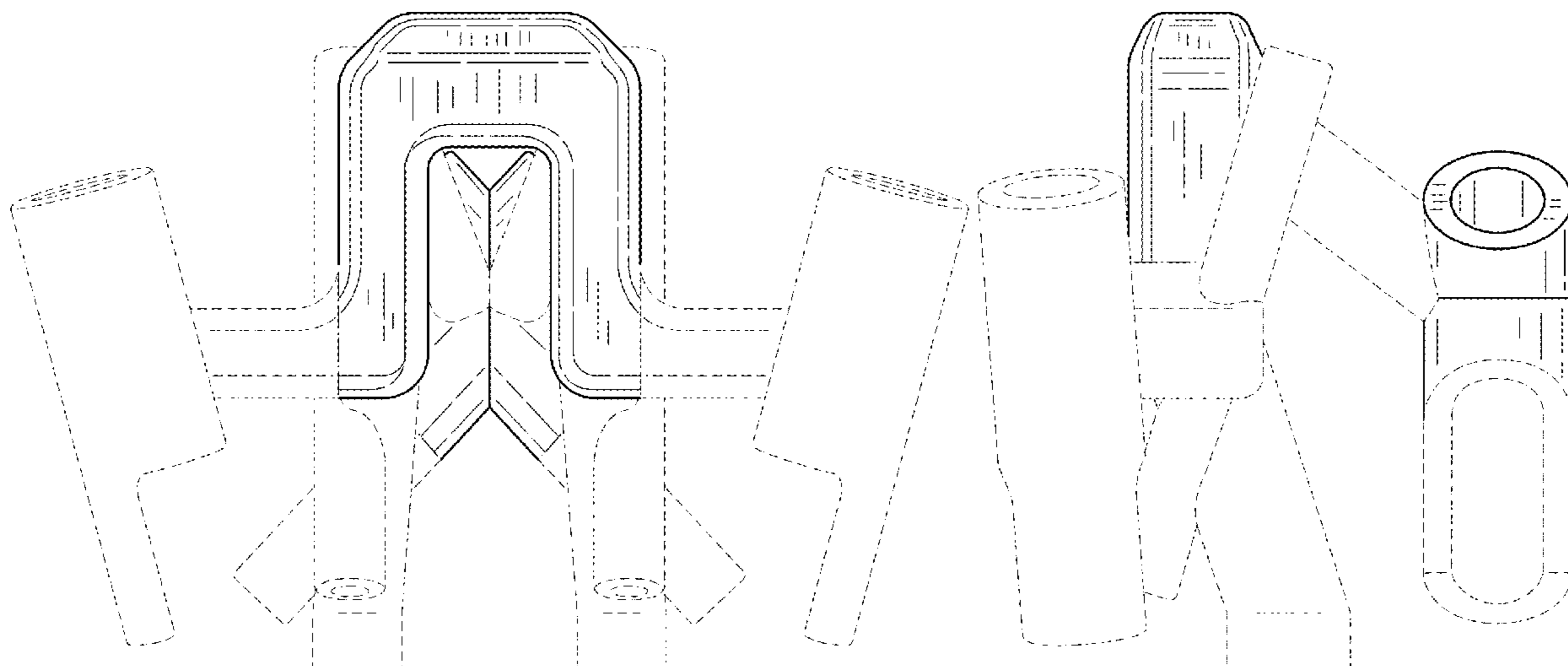
FIG. 6 is a left side elevation view of the sacro-iliac guide illustrated in FIG. 1;

FIG. 7 is a top plan view of the sacro-iliac guide illustrated in FIG. 1; and,

FIG. 8 is a bottom plan view of the sacro-iliac guide illustrated in FIG. 1.

The dash-dot broken lines immediately adjacent the shaded areas represent the bounds of the claimed design while dash broken lines are directed to environment and are for illustrative purposes only; the dash-dot broken lines and dash broken lines form no part of the claimed design.

**1 Claim, 8 Drawing Sheets**



(58) **Field of Classification Search**  
 CPC ..... 2310/00023; A61F 2310/00029; A61F  
 2310/00047; G09B 23/30  
 See application file for complete search history.

(56) **References Cited**

U.S. PATENT DOCUMENTS

5,490,409 A 2/1996 Weber  
 5,527,312 A 6/1996 Ray  
 5,569,246 A 10/1996 Ojima et al.  
 D403,066 S 12/1998 DeFonzo  
 5,865,846 A 2/1999 Bryan et al.  
 D412,032 S 7/1999 Mikula-Curtis et al.  
 5,993,453 A 11/1999 Bullara et al.  
 6,006,581 A 12/1999 Holmes  
 D420,132 S 2/2000 Bucholz et al.  
 6,030,401 A 2/2000 Marino  
 6,035,691 A 3/2000 Lin et al.  
 6,063,088 A 5/2000 Winslow  
 D428,989 S 8/2000 Segermark et al.  
 6,113,602 A 9/2000 Sand  
 6,142,998 A 11/2000 Smith et al.  
 6,221,077 B1 4/2001 Rinner et al.  
 6,290,724 B1 9/2001 Marino  
 6,309,395 B1 10/2001 Smith et al.  
 6,328,738 B1 12/2001 Suddaby  
 6,364,880 B1 4/2002 Michelson  
 6,644,087 B1 11/2003 Ralph et al.  
 6,711,432 B1 3/2004 Krause et al.  
 6,719,795 B1 4/2004 Cornwall et al.  
 6,755,839 B2 6/2004 Van Hoeck et al.  
 7,014,640 B2 3/2006 Kemppanien et al.  
 7,025,769 B1 4/2006 Ferree  
 7,077,864 B2 7/2006 Byrd, III et al.  
 D532,515 S 11/2006 Buttler et al.  
 D533,664 S 12/2006 Buttler et al.  
 7,207,992 B2 4/2007 Ritland  
 7,235,076 B2 6/2007 Pacheco  
 7,288,093 B2 10/2007 Michelson  
 7,341,590 B2 3/2008 Ferree  
 7,387,643 B2 6/2008 Michelson  
 7,406,775 B2 8/2008 Funk et al.  
 7,454,939 B2 11/2008 Garner et al.  
 7,491,180 B2 2/2009 Pacheco  
 7,559,931 B2 7/2009 Stone  
 7,623,902 B2 11/2009 Pacheco  
 D606,195 S 12/2009 Eisen et al.  
 7,658,610 B2 2/2010 Knopp  
 D618,796 S 6/2010 Cantu et al.  
 7,844,356 B2 11/2010 Matov et al.  
 7,955,355 B2 6/2011 Cin  
 7,957,824 B2 6/2011 Boronvinskih et al.  
 7,957,831 B2 6/2011 Isaacs  
 7,967,868 B2 6/2011 White et al.  
 D642,263 S \* 7/2011 Park ..... D24/140  
 D649,245 S \* 11/2011 Klebs ..... A61M 37/0076  
 D24/140  
 8,057,482 B2 11/2011 Stone et al.  
 8,070,752 B2 12/2011 Metzger et al.  
 8,092,465 B2 1/2012 Metzger et al.  
 8,118,815 B2 2/2012 van der Walt  
 8,159,753 B2 4/2012 Ojeda et al.  
 8,167,884 B2 5/2012 Pacheco  
 8,175,683 B2 5/2012 Roose  
 8,206,396 B2 6/2012 Trabish  
 8,214,014 B2 7/2012 Pacheco  
 8,236,006 B2 8/2012 Hamada  
 8,241,293 B2 8/2012 Stone et al.  
 8,257,083 B2 9/2012 Berckmans et al.  
 D669,176 S 10/2012 Frey  
 D669,984 S 10/2012 Cheney et al.  
 8,277,461 B2 10/2012 Pacheco  
 8,282,646 B2 10/2012 Schoenefeld et al.  
 8,298,235 B2 10/2012 Grinberg et al.  
 8,298,237 B2 10/2012 Schoenefeld et al.  
 8,298,242 B2 10/2012 Justis et al.

D672,038 S 12/2012 Frey  
 8,357,111 B2 1/2013 Caillouette et al.  
 8,377,066 B2 2/2013 Katrana et al.  
 8,407,067 B2 3/2013 Uthgenannt et al.  
 8,419,740 B2 4/2013 Aram et al.  
 D685,087 S 6/2013 Voic  
 8,460,303 B2 6/2013 Park  
 8,480,679 B2 7/2013 Park et al.  
 8,535,387 B2 9/2013 Meridew et al.  
 8,540,719 B2 9/2013 Peukert et al.  
 D691,719 S \* 10/2013 Park ..... D24/140  
 8,545,509 B2 10/2013 Park et al.  
 8,549,888 B2 10/2013 Isaacs  
 8,568,487 B2 10/2013 Witt et al.  
 8,591,516 B2 11/2013 Metzger et al.  
 8,603,180 B2 12/2013 White et al.  
 8,607,603 B2 12/2013 Justis et al.  
 8,608,748 B2 12/2013 Metzger et al.  
 8,608,749 B2 12/2013 Maxson et al.  
 8,632,547 B2 1/2014 Maxson et al.  
 8,668,700 B2 3/2014 Catanzarite  
 D705,929 S 5/2014 Frey  
 8,721,651 B2 5/2014 Loke et al.  
 8,758,357 B2 \* 6/2014 Frey ..... A61F 2/4611  
 8,808,302 B2 8/2014 Roose et al.  
 8,808,303 B2 8/2014 Stemniski et al.  
 8,858,561 B2 10/2014 White et al.  
 8,864,769 B2 10/2014 Stone et al.  
 8,870,889 B2 10/2014 Frey  
 D718,862 S 12/2014 Matheny  
 D718,863 S 12/2014 Matheny  
 D718,864 S 12/2014 Matheny  
 8,979,749 B2 3/2015 Gorek et al.  
 8,992,538 B2 3/2015 Keefer  
 D726,914 S 4/2015 Matheny  
 9,017,412 B2 4/2015 Wolters et al.  
 9,044,285 B2 6/2015 Harper  
 9,066,727 B2 6/2015 Catanzarite et al.  
 9,066,816 B2 6/2015 Allard et al.  
 9,113,971 B2 8/2015 Metzger et al.  
 D738,498 S 9/2015 Frey et al.  
 9,138,325 B2 9/2015 Mouw  
 9,173,661 B2 11/2015 Metzger et al.  
 D745,671 S 12/2015 Frey et al.  
 D745,672 S 12/2015 Frey et al.  
 D745,673 S 12/2015 Frey et al.  
 9,198,678 B2 12/2015 Frey et al.  
 D747,480 S \* 1/2016 Geebelen ..... D24/140  
 D747,481 S \* 1/2016 Geebelen ..... D24/140  
 9,289,253 B2 3/2016 Vanasse et al.  
 9,486,324 B2 11/2016 Hochschuler et al.  
 D775,335 S 12/2016 Frey et al.  
 9,642,633 B2 5/2017 Frey et al.  
 9,649,160 B2 5/2017 van der Walt et al.  
 9,662,157 B2 5/2017 Schneider et al.  
 9,675,400 B2 6/2017 Katrana et al.  
 9,737,339 B2 8/2017 Copp et al.  
 9,814,497 B1 11/2017 Al-Habib et al.  
 9,826,991 B2 11/2017 Kaiser et al.  
 9,839,448 B2 12/2017 Reckling et al.  
 9,848,922 B2 12/2017 Tohmeh et al.  
 9,913,669 B1 3/2018 Scholl et al.  
 9,949,843 B2 4/2018 Reiley et al.  
 9,968,408 B1 5/2018 Casey et al.  
 9,987,024 B2 6/2018 Frey et al.  
 10,085,784 B2 10/2018 Ono et al.  
 10,166,033 B2 1/2019 Reiley et al.  
 D857,893 S \* 8/2019 Frey ..... D24/140  
 D858,765 S \* 9/2019 Frey ..... D24/140  
 2004/0097925 A1 5/2004 Boehm et al.  
 2004/0144149 A1 7/2004 Strippgen et al.  
 2004/0243481 A1 12/2004 Bradbury et al.  
 2005/0148843 A1 7/2005 Roose  
 2005/0177156 A1 8/2005 Timm et al.  
 2005/0262911 A1 12/2005 Dankowicz et al.  
 2006/0058792 A1 3/2006 Hynes  
 2006/0084986 A1 4/2006 Grinberg et al.  
 2006/0095044 A1 5/2006 Grady et al.  
 2006/0149375 A1 7/2006 Yuan et al.

(56)

References Cited

U.S. PATENT DOCUMENTS

2006/0241385 A1 10/2006 Dietz  
 2007/0227216 A1 10/2007 Schalliol  
 2007/0288030 A1 12/2007 Metzger et al.  
 2008/0086127 A1 4/2008 Patterson et al.  
 2008/0114370 A1 5/2008 Schoenefeld  
 2008/0161815 A1 7/2008 Schoenefeld et al.  
 2008/0183214 A1 7/2008 Copp et al.  
 2008/0255564 A1 10/2008 Michelson  
 2008/0257363 A1 10/2008 Schoenefeld et al.  
 2008/0275452 A1 11/2008 Lang et al.  
 2008/0306552 A1 12/2008 Winslow  
 2008/0312659 A1 12/2008 Metzger et al.  
 2008/0319491 A1 12/2008 Schoenefeld  
 2009/0076555 A1 3/2009 Lowry et al.  
 2009/0087276 A1 4/2009 Rose  
 2009/0088674 A1 4/2009 Caillouette et al.  
 2009/0088761 A1 4/2009 Roose et al.  
 2009/0088763 A1 4/2009 Aram et al.  
 2009/0093816 A1 4/2009 Roose et al.  
 2009/0099567 A1 4/2009 Zajac  
 2009/0105760 A1 4/2009 Frey  
 2009/0110498 A1 4/2009 Park  
 2009/0138020 A1 5/2009 Park et al.  
 2009/0187194 A1 7/2009 Hamada  
 2009/0198277 A1 8/2009 Gordon et al.  
 2009/0254093 A1 10/2009 White et al.  
 2009/0270868 A1 10/2009 Park et al.  
 2009/0326537 A1 12/2009 Anderson  
 2010/0016984 A1 1/2010 Trabish  
 2010/0049195 A1 2/2010 Park et al.  
 2010/0082035 A1 4/2010 Keefer  
 2010/0087829 A1 4/2010 Metzger et al.  
 2010/0100193 A1 4/2010 White  
 2010/0152782 A1 6/2010 Stone et al.  
 2010/0191244 A1 7/2010 White et al.  
 2010/0217270 A1 8/2010 Polinski et al.  
 2010/0217336 A1 8/2010 Crawford et al.  
 2010/0305700 A1 12/2010 Ben-Arye et al.  
 2010/0324692 A1 12/2010 Uthgenannt et al.  
 2011/0015636 A1 1/2011 Katrana et al.  
 2011/0015639 A1 1/2011 Metzger et al.  
 2011/0046735 A1 2/2011 Metzger et al.  
 2011/0054478 A1 3/2011 Vanasse et al.  
 2011/0071533 A1 3/2011 Metzger et al.  
 2011/0093023 A1 4/2011 Lee et al.  
 2011/0093086 A1 4/2011 Witt et al.  
 2011/0160736 A1 6/2011 Meridew et al.  
 2011/0160867 A1 6/2011 Meridew et al.  
 2011/0166578 A1 7/2011 Stone et al.  
 2011/0184419 A1 7/2011 Meridew et al.  
 2011/0184526 A1 7/2011 White et al.  
 2011/0190899 A1 8/2011 Pierce et al.  
 2011/0213376 A1 9/2011 Maxson et al.  
 2011/0218545 A1 9/2011 Catanzarite et al.  
 2011/0224674 A1 9/2011 White et al.  
 2011/0288433 A1 11/2011 Kelleher et al.  
 2011/0319745 A1 12/2011 Frey  
 2012/0041445 A1 2/2012 Roose et al.  
 2012/0130434 A1 5/2012 Stemniski et al.  
 2012/0150243 A9 6/2012 Crawford et al.  
 2012/0179259 A1 7/2012 McDonough et al.  
 2012/0215315 A1 8/2012 Hochschuler et al.  
 2012/0245587 A1 9/2012 Fang  
 2013/0006251 A1 1/2013 Aram et al.  
 2013/0053854 A1 2/2013 Schoenefeld et al.  
 2013/0110174 A1 5/2013 Marik  
 2013/0123850 A1 5/2013 Schoenefeld et al.  
 2013/0218163 A1 8/2013 Frey  
 2014/0137618 A1 5/2014 Isaacs  
 2014/0350614 A1 11/2014 Frey  
 2014/0379032 A1 12/2014 Hennard  
 2015/0047410 A1 2/2015 Petit et al.  
 2015/0127053 A1 5/2015 Maruenda Paulino et al.  
 2015/0297249 A1 10/2015 Catanzarite  
 2016/0030067 A1 2/2016 Frey et al.

2016/0270802 A1 9/2016 Fang et al.  
 2017/0215857 A1 8/2017 D'Urso  
 2018/0271602 A1\* 9/2018 Frey ..... A61B 34/10

FOREIGN PATENT DOCUMENTS

CN 201275138 7/2009  
 CN 201404283 2/2010  
 CN 101390773 11/2010  
 CN 101953713 1/2011  
 CN 104306061 1/2015  
 CN 105078563 11/2015  
 CN 106175911 12/2016  
 CN 104224306 8/2017  
 DE 102013110699 4/2015  
 DE 202014011170 U1 4/2018  
 EP 2168507 3/2010  
 EP 2957244 12/2015  
 EP 2749235 8/2017  
 EP 3381382 10/2018  
 FR 3012030 12/2015  
 FR 3023655 4/2018  
 GB 2447702 9/2008  
 WO WO2001037728 8/2002  
 WO WO2004071314 8/2004  
 WO WO2007145937 12/2007  
 WO WO2008027549 3/2008  
 WO WO2009004625 1/2009  
 WO WO2006017641 4/2009  
 WO WO2008157412 4/2009  
 WO WO2009129063 10/2009  
 WO WO2010033431 3/2010  
 WO WO2010148103 12/2010  
 WO WO2011041398 4/2011  
 WO WO2011080260 7/2011  
 WO WO2011106711 9/2011  
 WO WO2011109260 9/2011  
 WO WO2012082164 6/2012  
 WO WO2013169674 11/2013

OTHER PUBLICATIONS

Lu et al. "A novel computer-assisted drill guide template for lumbar pedicle screw placement: a cadaveric and clinical study." the International Journal of Medical Robotics and Computer Assisted Surgery, Jun. 2009, vol. 5, No. 2, pp. 184-191. (Abstract Only).  
 Lu et al. "A Novel Patient-Specific Navigational Template for Cervical Pedicle Screw Placement," Spine, Dec. 15, 2009, vol. 34, No. 26, pp. E959-E966 (Abstract Only).  
 Ryken et al. "Image-based drill templates for cervical pedicle screw placement Laboratory investigation," Journal of Neurosurgery, Jan. 2009, vol. 10, No. 1 (Abstract Only).  
 Yin et al. "Computer aid designed digital targeting template of pedicle of vertebral arch for atlantoaxial nailing," IT in Medicine & Education, 2009. !ITIME '09. Aug. 14-16, 2009, vol. 1 (Abstract Only).  
 International Preliminary Report on Patentability for International (PCT) Patent Application No. PCT/US11/42412 dated Jan. 17, 2013, 7 pages.  
 International Preliminary Report on Patentability for International Patent Application No. PCT/US2013/036535, dated Oct. 30, 2014, 7 pages.  
 International Preliminary Report on Patentability for International Patent Application No. PCT/US2014/041379, dated Dec. 17, 2015, 6 pages.  
 International Preliminary Report on Patentability for International Patent Application No. PCT/US2015/032356, dated Dec. 15, 2016, 7 pages.  
 International Search Report and Written Opinion for International Patent Application No. PCT/US11/42412 dated Nov. 8, 2011.  
 International Search Report and Written Opinion for International Patent Application No. PCT/US15/32356, dated Oct. 28, 2015, 10 pages.

(56)

**References Cited**

OTHER PUBLICATIONS

International Search Report and Written Opinion for International Patent Application No. PCT/US2013/036535, dated Jun. 26, 2013, 8 pages.  
International Search Report and Written Opinion for International Patent Application No. PCT/US2014/041379, dated Oct. 28, 2014, 7 pages.  
International Search Report and Written Opinion for International Patent Application No. PCT/US2016/056970, dated Mar. 10, 2017, 13 pages.  
Official Action for Australian Patent Application No. 2011276468 dated Apr. 10, 2013, 3 Pages.  
Official Action for China Patent Application No. 201180029692.7, dated Oct. 8, 2014 12 pages.  
Official Action for U.S. Appl. No. 13/172,683, dated Feb. 24, 2014, 10 pages.  
Official Action for U.S. Appl. No. 13/172,683, dated Sep. 10, 2013 7 pages.  
Official Action for U.S. Appl. No. 13/841,069 dated Jul. 8, 2014, 6 pages.  
Official Action for U.S. Appl. No. 13/841,069, dated Jul. 31, 2014 9 pages.  
Official Action for U.S. Appl. No. 14/298,634, dated Apr. 27, 2015 8 pages.

Official Action for U.S. Appl. No. 14/298,634, dated Jul. 7, 2015 6 pages.  
Notice of Allowance for U.S. Appl. No. 13/172,683 dated Apr. 23, 2014 ., 7 pages.  
Notice of Allowance for U.S. Appl. No. 13/841,069, dated Sep. 18, 2014. 7 pages.  
Notice of Allowance for U.S. Appl. No. 14/298,624, dated Oct. 7, 2015. 7 pages.  
Notice of Allowance for U.S. Appl. No. 14/883,299, dated Mar. 20, 2017. 12 pages.  
Notice of Allowance for U.S. Appl. No. 29/409,734, dated May 11, 2012. 8 pages.  
Notice of Allowance for U.S. Appl. No. 29/427,918, dated Oct. 15, 2012. 9 pages.  
Notice of Allowance for U.S. Appl. No. 29/432,668 dated Nov. 27, 2013. 11 pages.  
Notice of Allowance for U.S. Appl. No. 29/476,699, dated Oct. 2, 2015. 8 pages.  
Notice of Allowance for U.S. Appl. No. 29/476,705, dated Oct. 7, 2015. 8 pages.  
Notice of Allowance for U.S. Appl. No. 29/476,709, dated Nov. 6, 2015. 8 pages.  
Notice of Allowance for U.S. Appl. No. 29/496,231, dated Jul. 23, 2015. 10 pages.  
Notice of Allowance for U.S. Appl. No. 29/538,633, dated Jan. 6, 2016. 10 pages.

\* cited by examiner

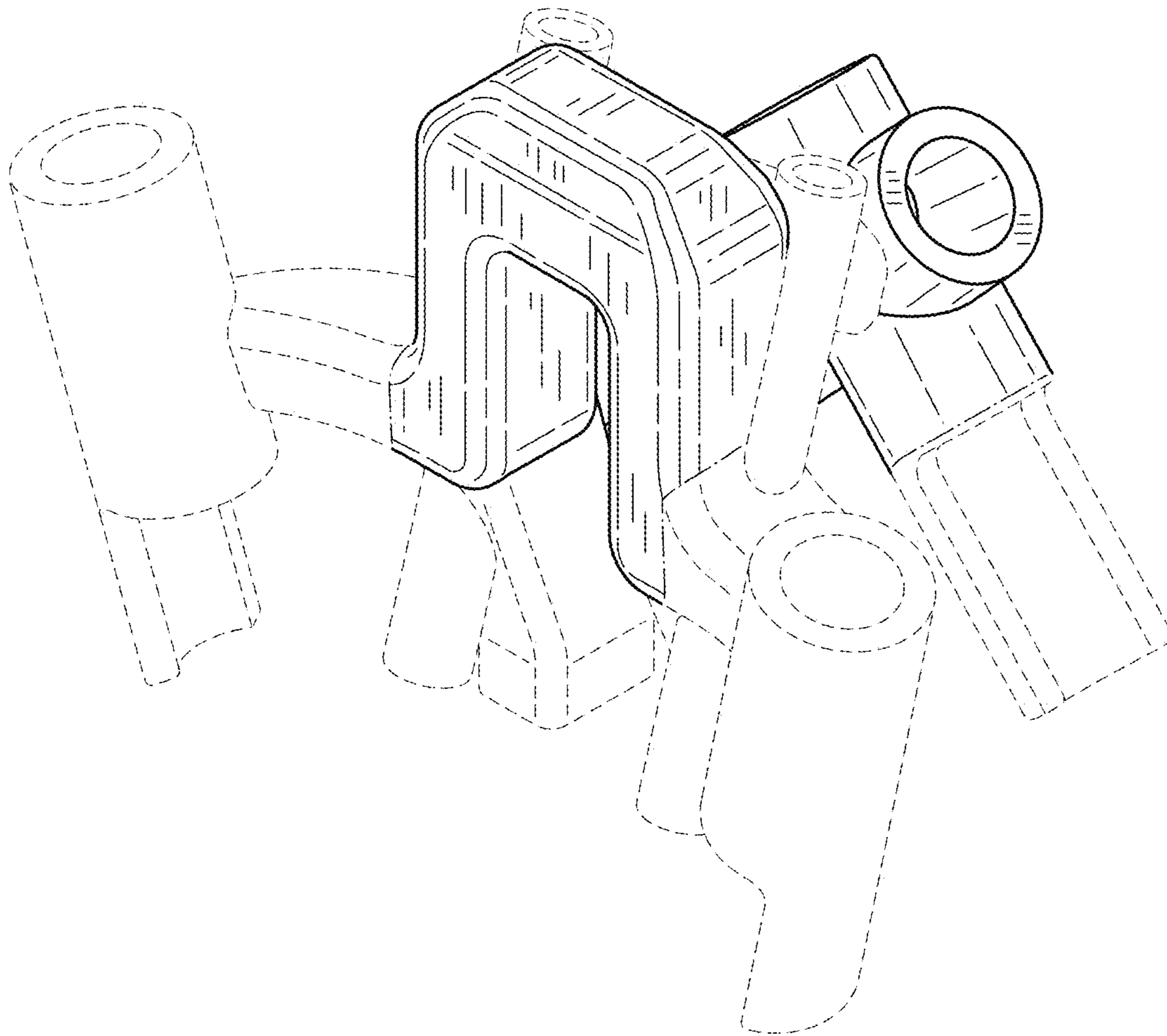


FIG. 1

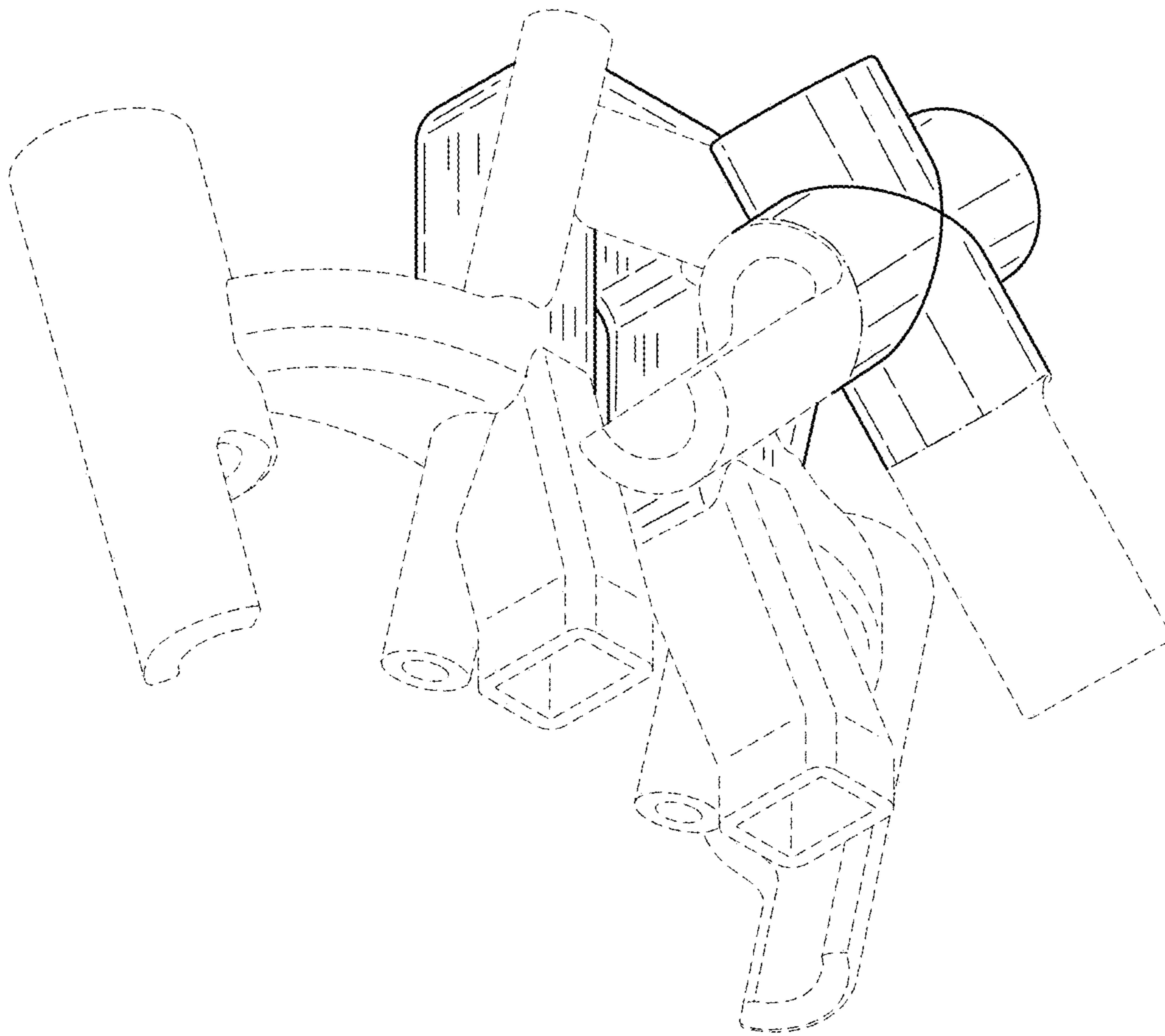


FIG.2

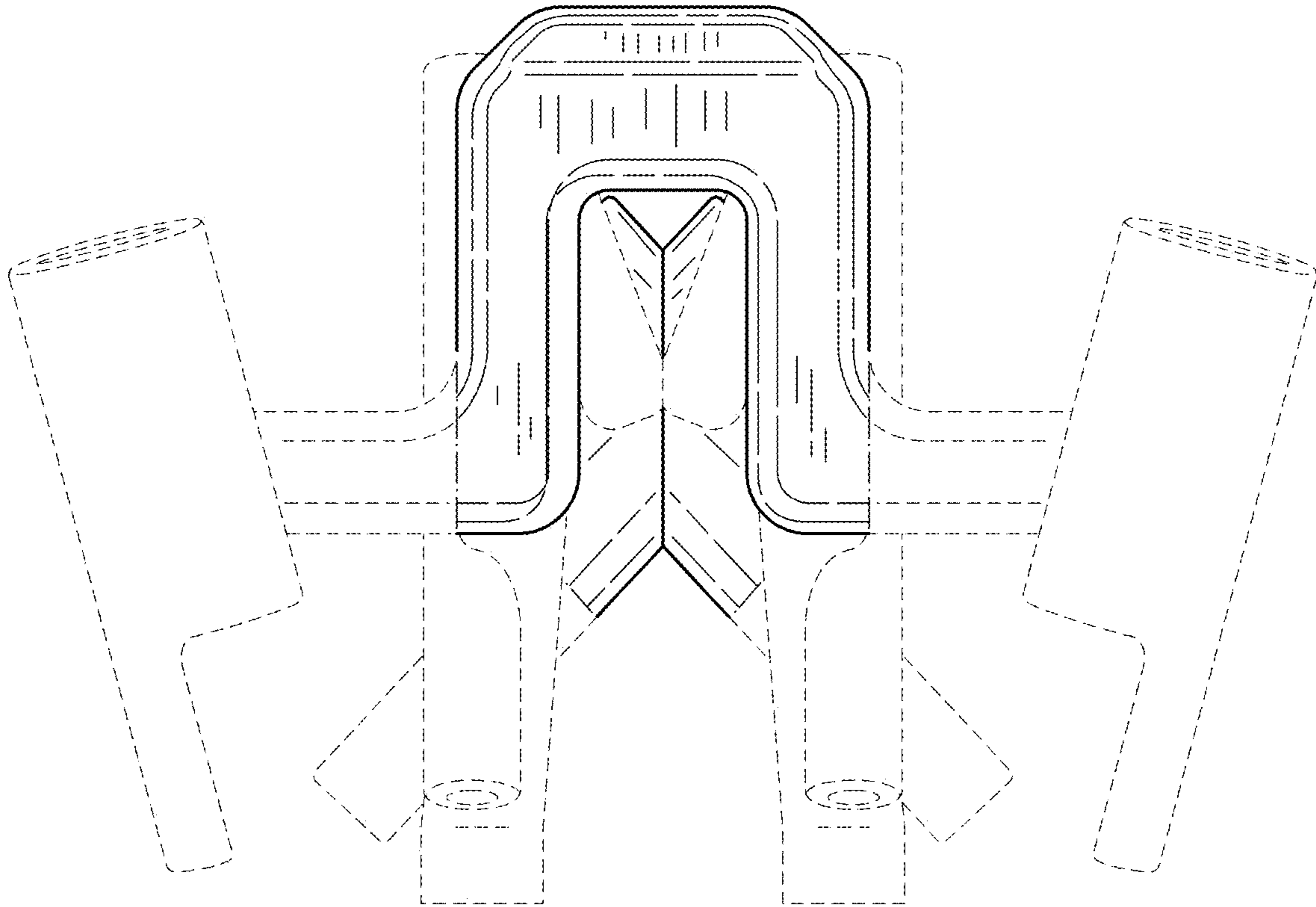


FIG.3

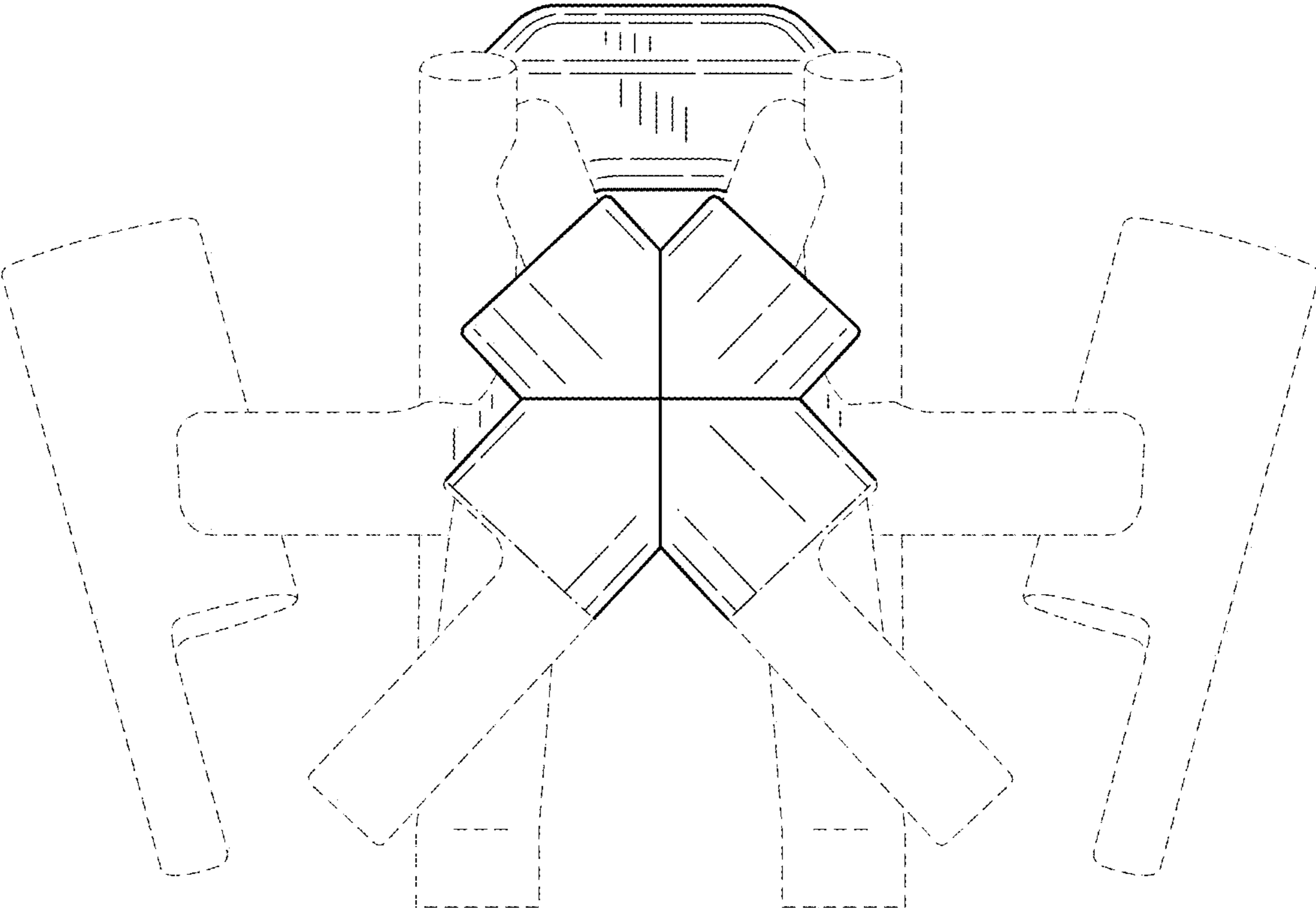


FIG.4



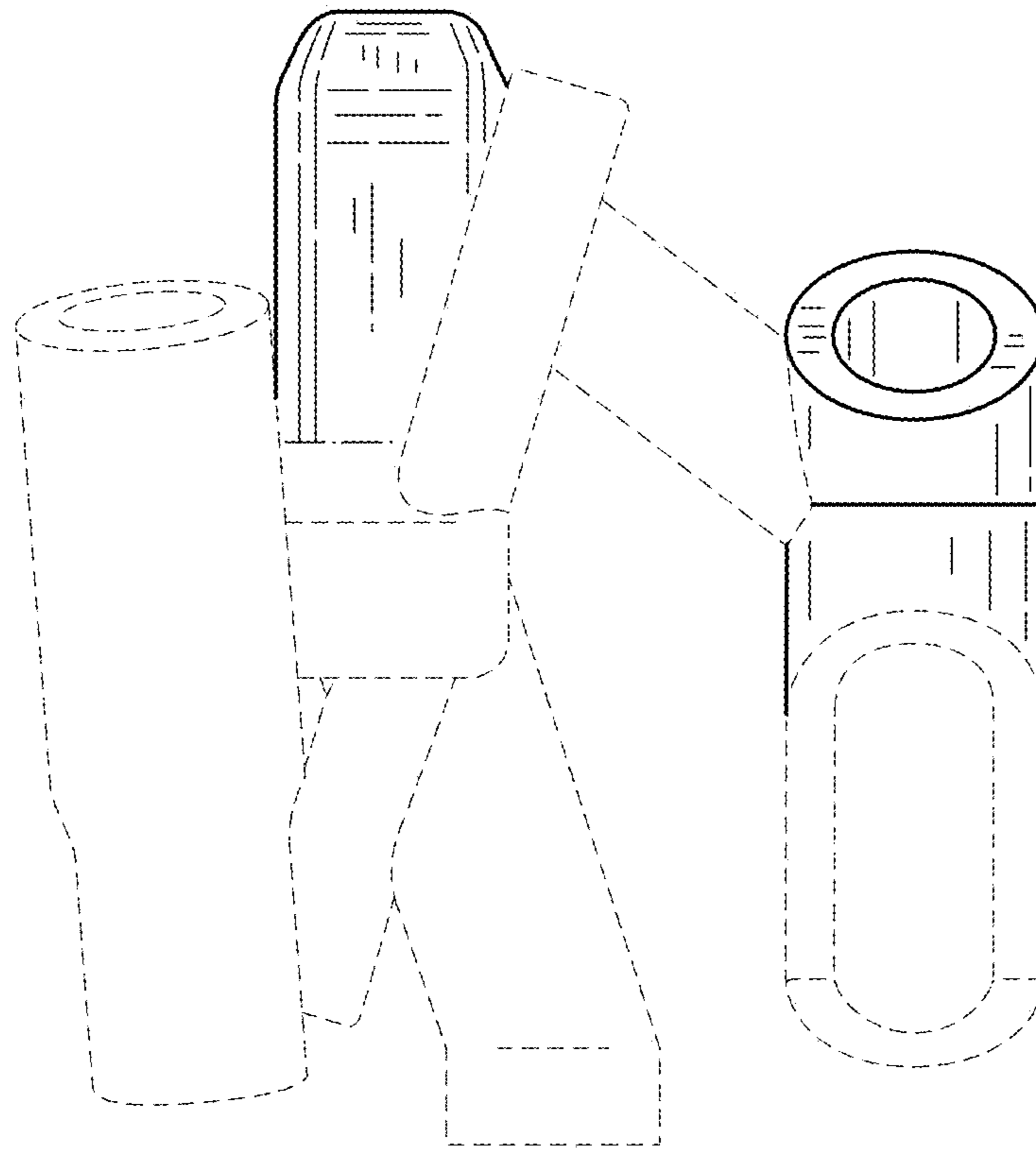


FIG.5

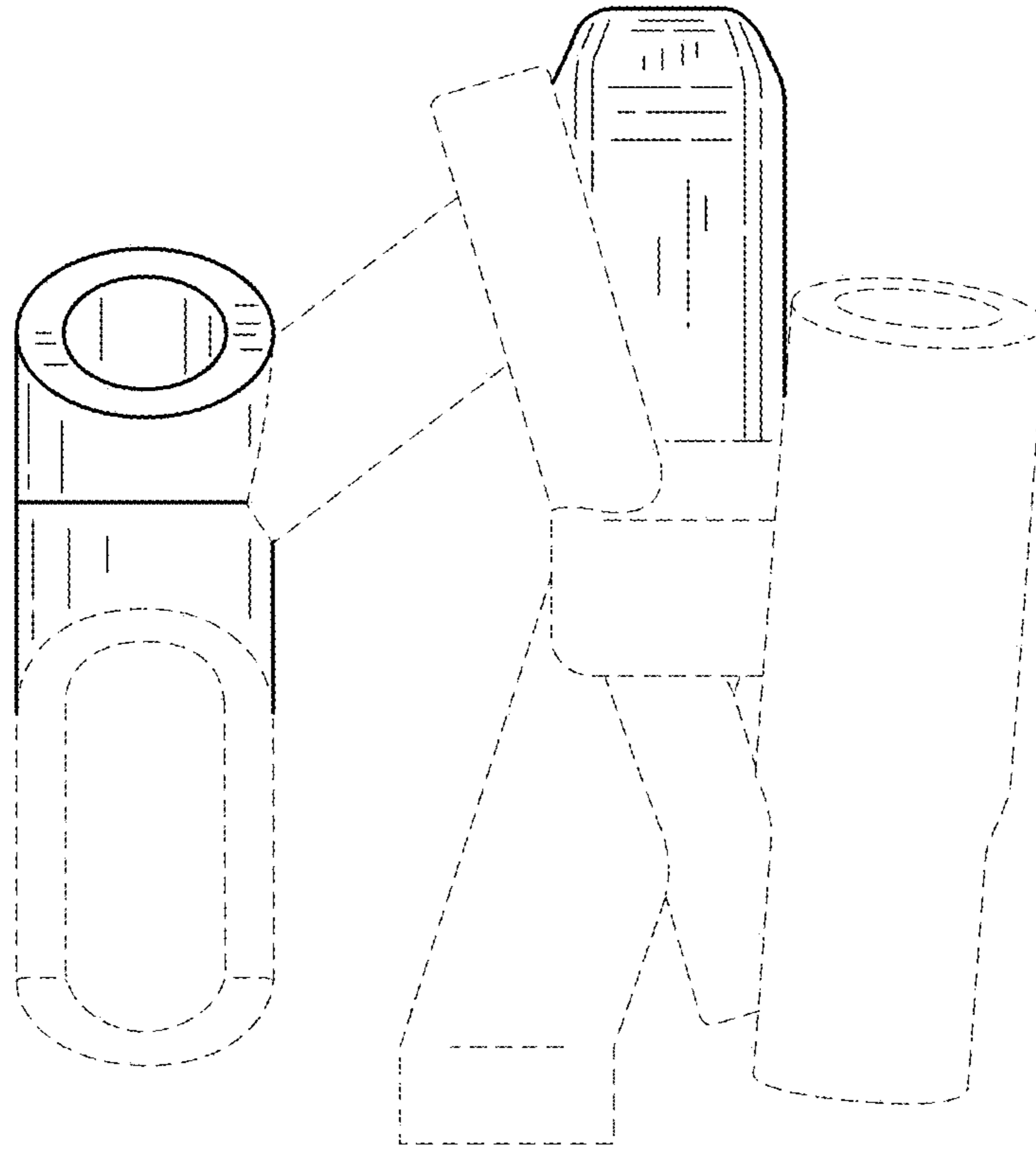


FIG.6

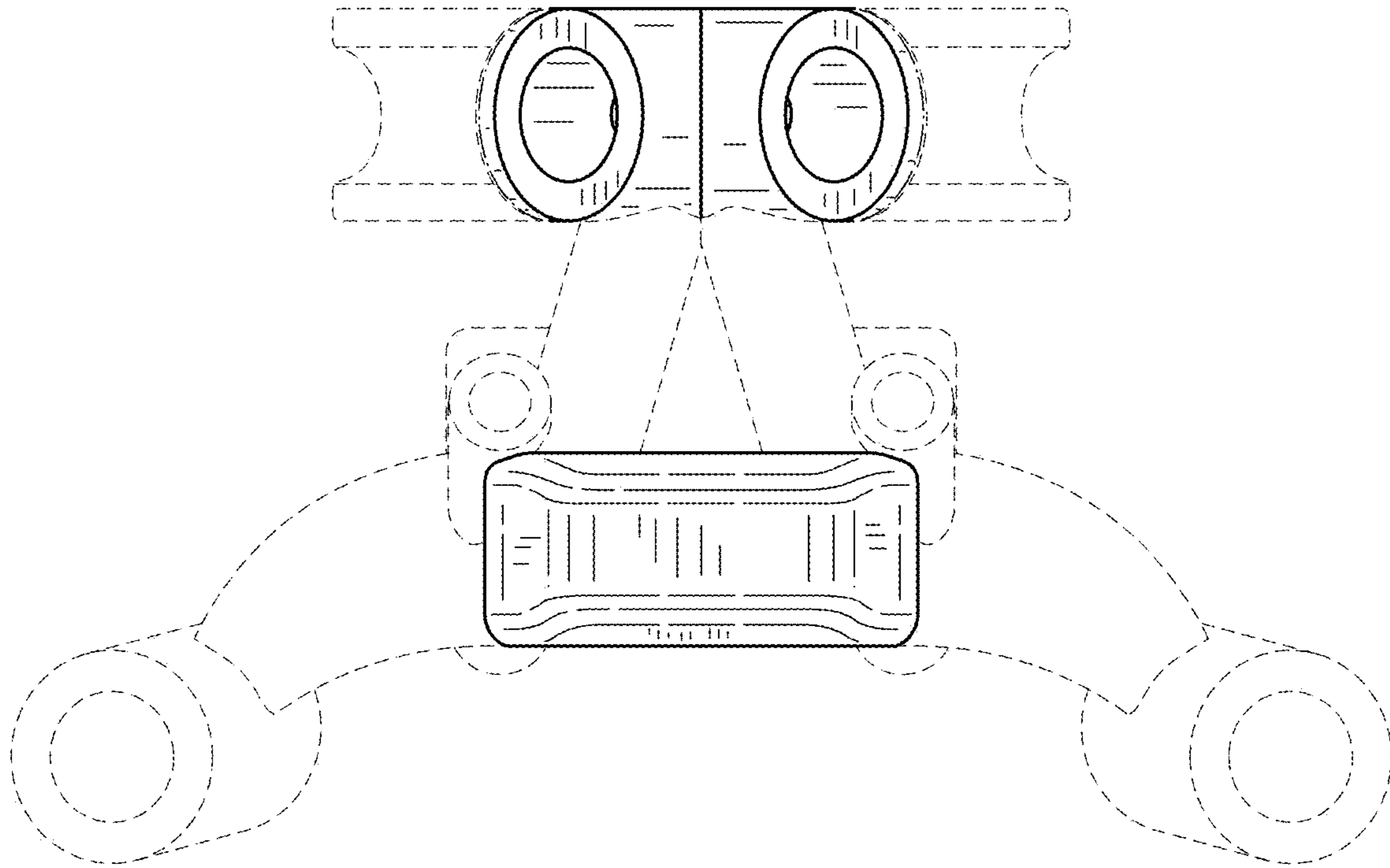


FIG.7

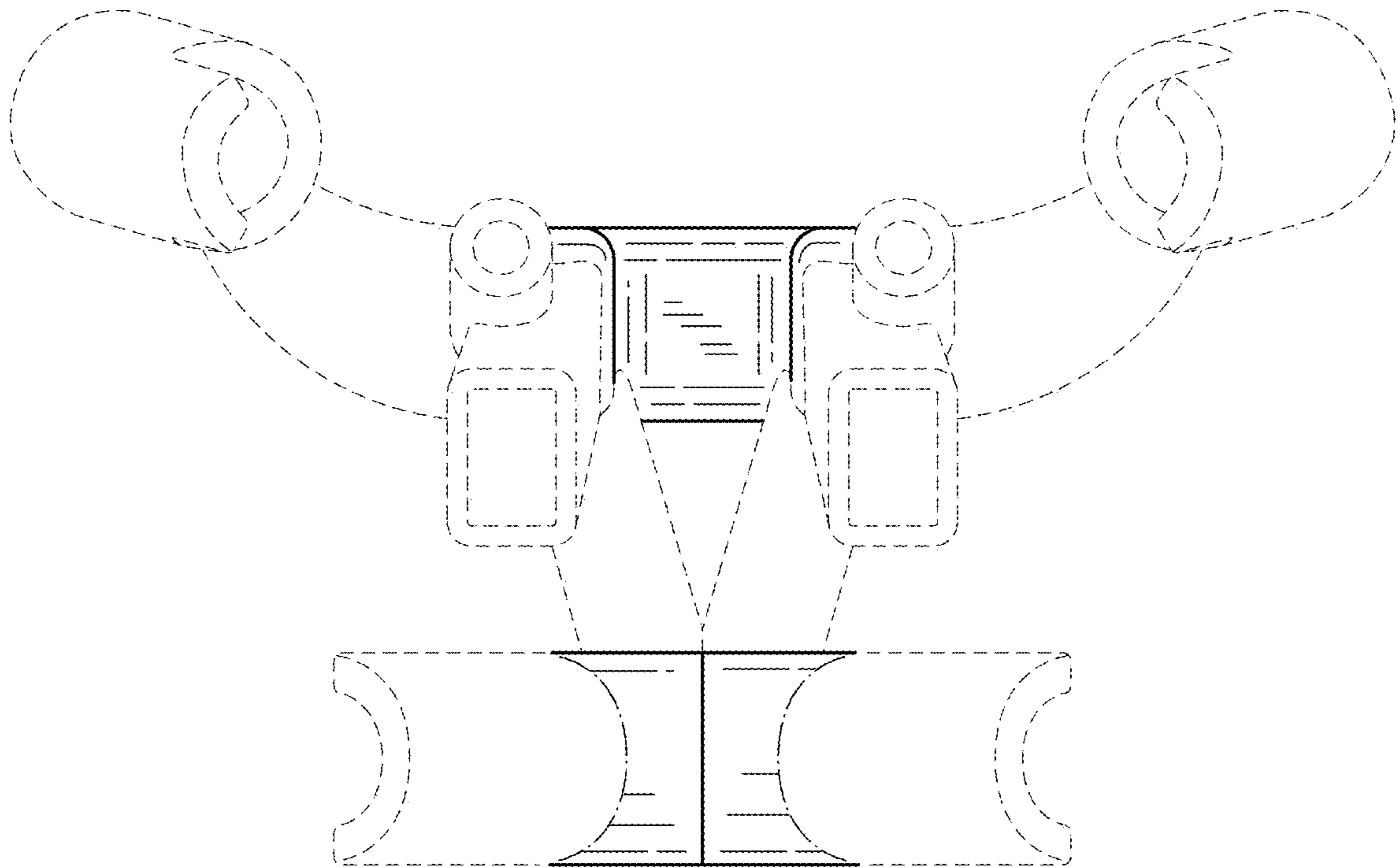


FIG. 8