



US00D895110S

(12) **United States Design Patent** (10) **Patent No.:** **US D895,110 S**
Takada et al. (45) **Date of Patent:** **** Sep. 1, 2020**

(54) **FINGER GRIP FOR SYRINGE**
(71) Applicants: **Seikagaku Corporation**, Tokyo (JP);
Taisei Kako Co., Ltd., Osaka (JP)
(72) Inventors: **Norimasa Takada**, Tokyo (JP);
Tomoyuki Sonoyama, Osaka (JP)
(73) Assignees: **Taisei Kako Co., Ltd.** (JP); **Seikagaku Corporation** (JP)

D713,759 S * 9/2014 Guney D11/218
D751,705 S * 3/2016 Hitscherich, Jr. D24/130
D775,324 S * 12/2016 Larson D24/114
D775,325 S * 12/2016 Larson D24/114
D777,325 S * 1/2017 Aneas D24/130
D790,691 S * 6/2017 Davis D24/130
D793,552 S * 8/2017 Schiller A61M 5/3137
D24/130
D794,185 S * 8/2017 Dolk D24/130
D794,187 S * 8/2017 Dolk D24/130

(Continued)

(**) Term: **15 Years**
(21) Appl. No.: **29/661,076**
(22) Filed: **Aug. 24, 2018**

Primary Examiner — Nathan M Johnston
(74) *Attorney, Agent, or Firm* — Lerner, David,
Littenberg, Krumholz & Mentlik, LLP

(30) **Foreign Application Priority Data**

Feb. 26, 2018 (JP) 2018-003903

(51) **LOC (12) Cl.** **24-02**

(52) **U.S. Cl.**
USPC **D24/130**

(58) **Field of Classification Search**
USPC D24/127–131, 112–114, 133, 186;
606/181, 185; 604/264, 523–528, 272,
604/187, 158, 164.01–164.11, 181, 184,
604/227, 220; 600/101, 139, 143;
128/200.24, 207.14, 207.15
CPC A61M 5/178; A61M 3/00; A61M 5/20;
A61M 5/03; A61M 5/3146; A61M
5/3129; A61M 5/3148; A61M 5/315
See application file for complete search history.

(56) **References Cited**

U.S. PATENT DOCUMENTS

D397,790 S * 9/1998 Naganuma D24/127
D434,850 S * 12/2000 Balestracci D24/112
D438,971 S * 3/2001 Meyer D24/169
D500,360 S * 12/2004 Sinding D24/135
D649,241 S * 11/2011 Kunishige D24/129

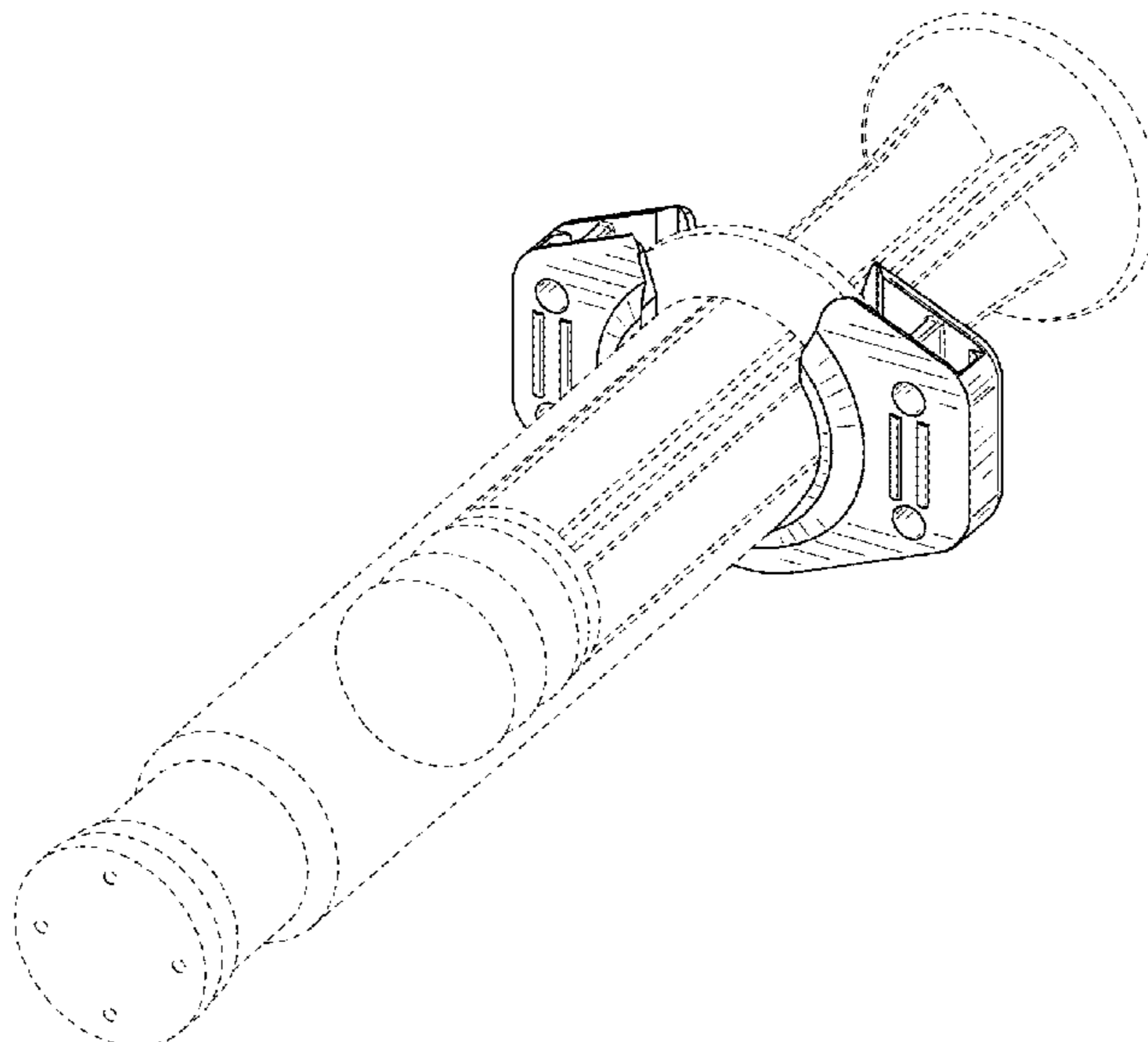
(57) **CLAIM**

The ornamental design for a finger grip for syringe, as shown and described.

DESCRIPTION

FIG. 1 is a front elevation view of a finger grip for syringe according to our new design;
FIG. 2 is a rear elevation view thereof;
FIG. 3 is a top plan view thereof;
FIG. 4 is a bottom plan view thereof;
FIG. 5 is a right side elevation view thereof;
FIG. 6 is a left side elevation view thereof;
FIG. 7 is a cross sectional view taken across line 7-7 of FIG. 1;
FIG. 8 is a cross-sectional view taken across line 8-8 of FIG. 5;
FIG. 9 is a cross-sectional view taken across line 9-9 of FIG. 1;
FIG. 10 is a front perspective view showing an example use thereof; and,
FIG. 11 is a rear perspective view showing an example use thereof.
The broken lines shown in the drawings illustrate environmental structure that forms no part of the claimed design.

1 Claim, 4 Drawing Sheets



(56)

References Cited

U.S. PATENT DOCUMENTS

D797,282	S	*	9/2017	Dolk	D24/130
D798,444	S	*	9/2017	Darras	D24/130
D799,034	S	*	10/2017	Nguyen	D24/130
D800,900	S	*	10/2017	Darras	D24/130
D812,223	S	*	3/2018	Evans	D24/130
D814,026	S	*	3/2018	Darras	D24/130
D824,516	S	*	7/2018	Ohashi	D24/130
D842,463	S	*	3/2019	Grunhut	D24/130
D845,476	S	*	4/2019	Evans	D24/130
D855,176	S	*	7/2019	Yang	D24/114
2016/0038682	A1	*	2/2016	Tornsten	A61M 5/31595 604/227
2019/0015597	A1	*	1/2019	Holmqvist	A61M 5/178

* cited by examiner

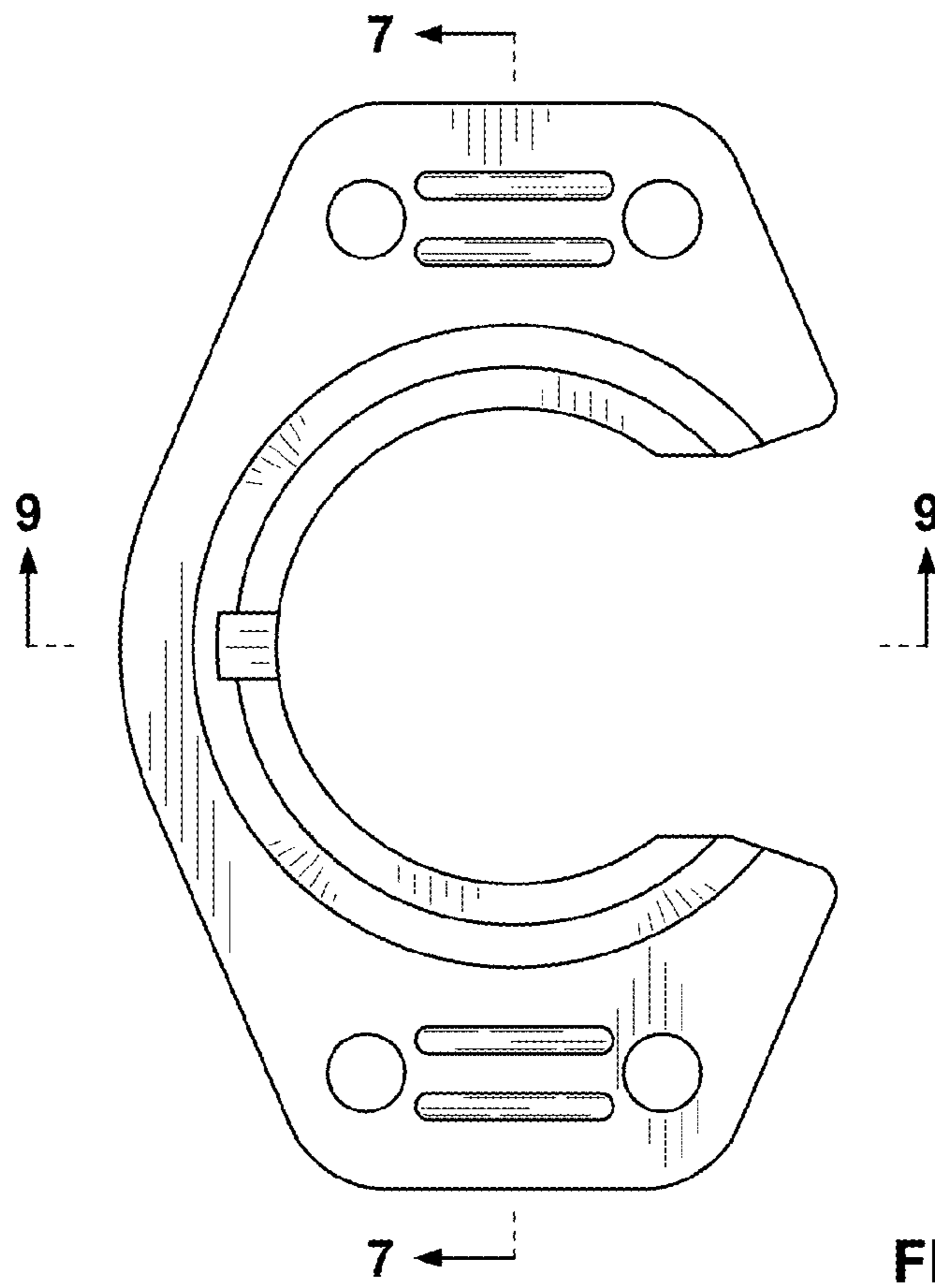


FIG. 1

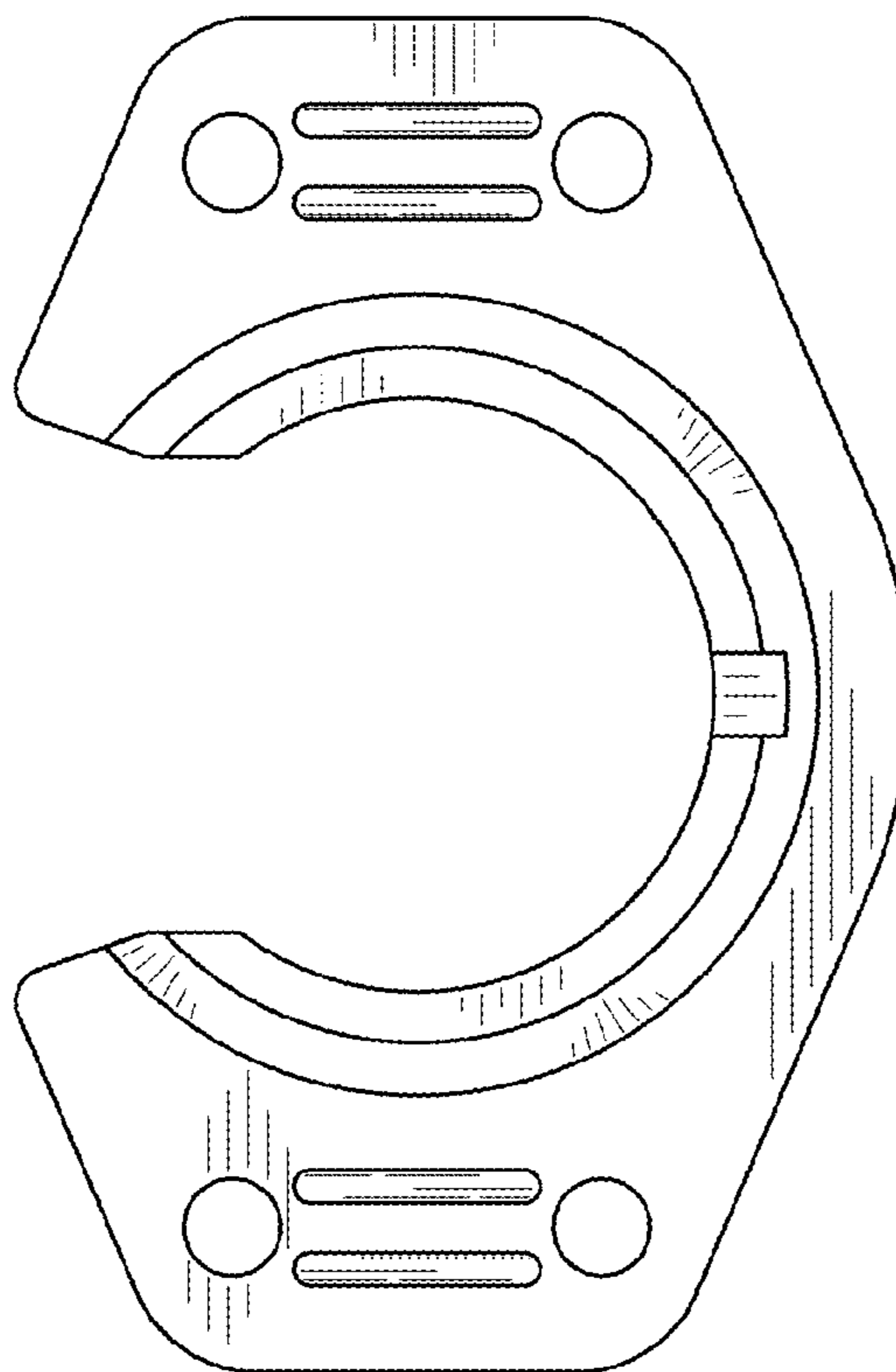


FIG. 2

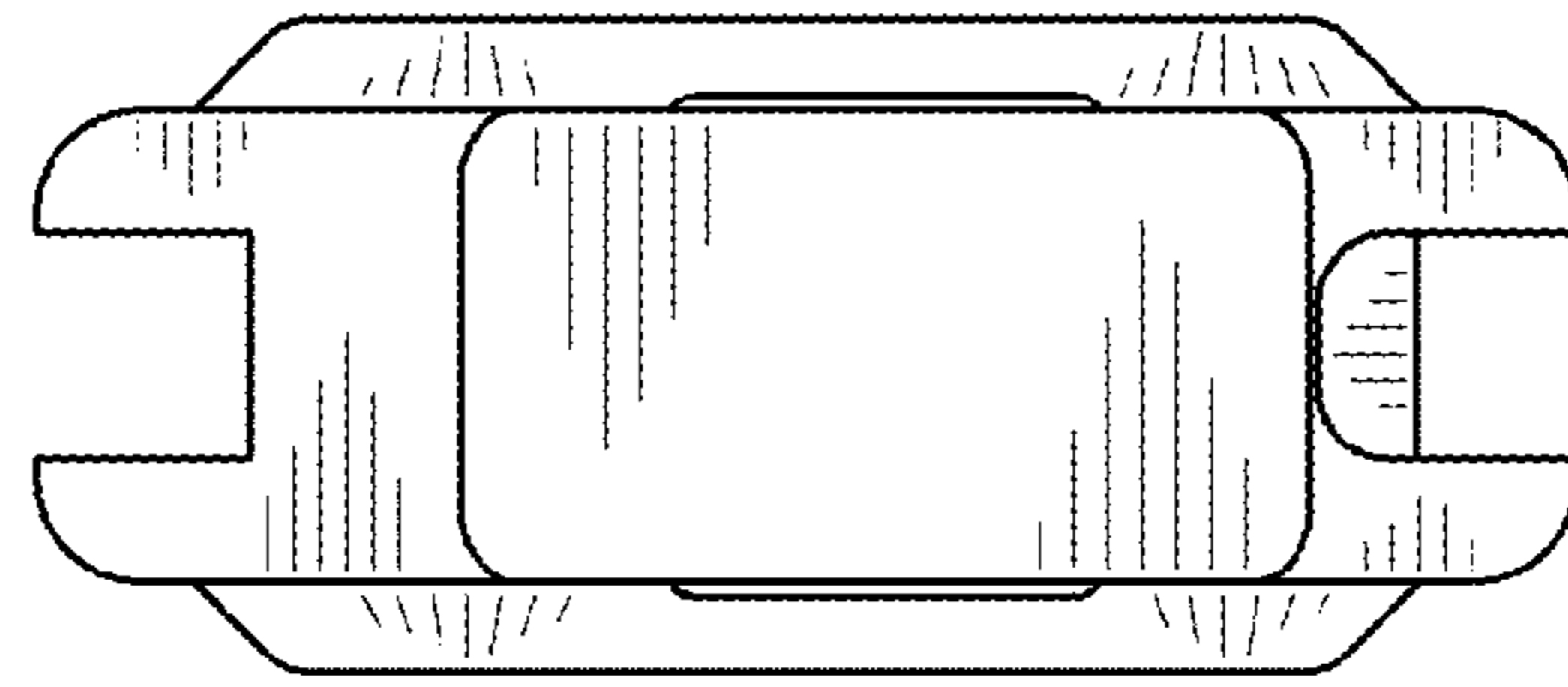


FIG. 3

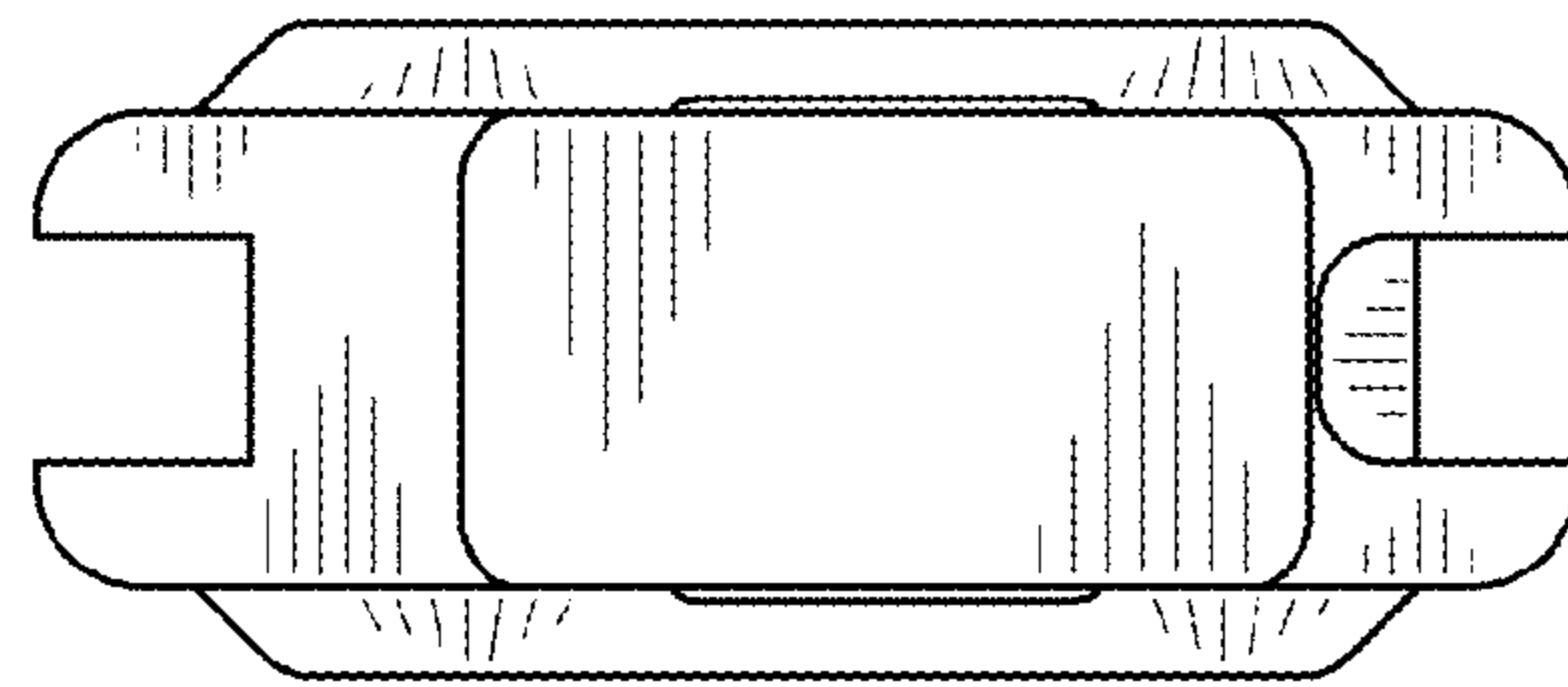


FIG. 4

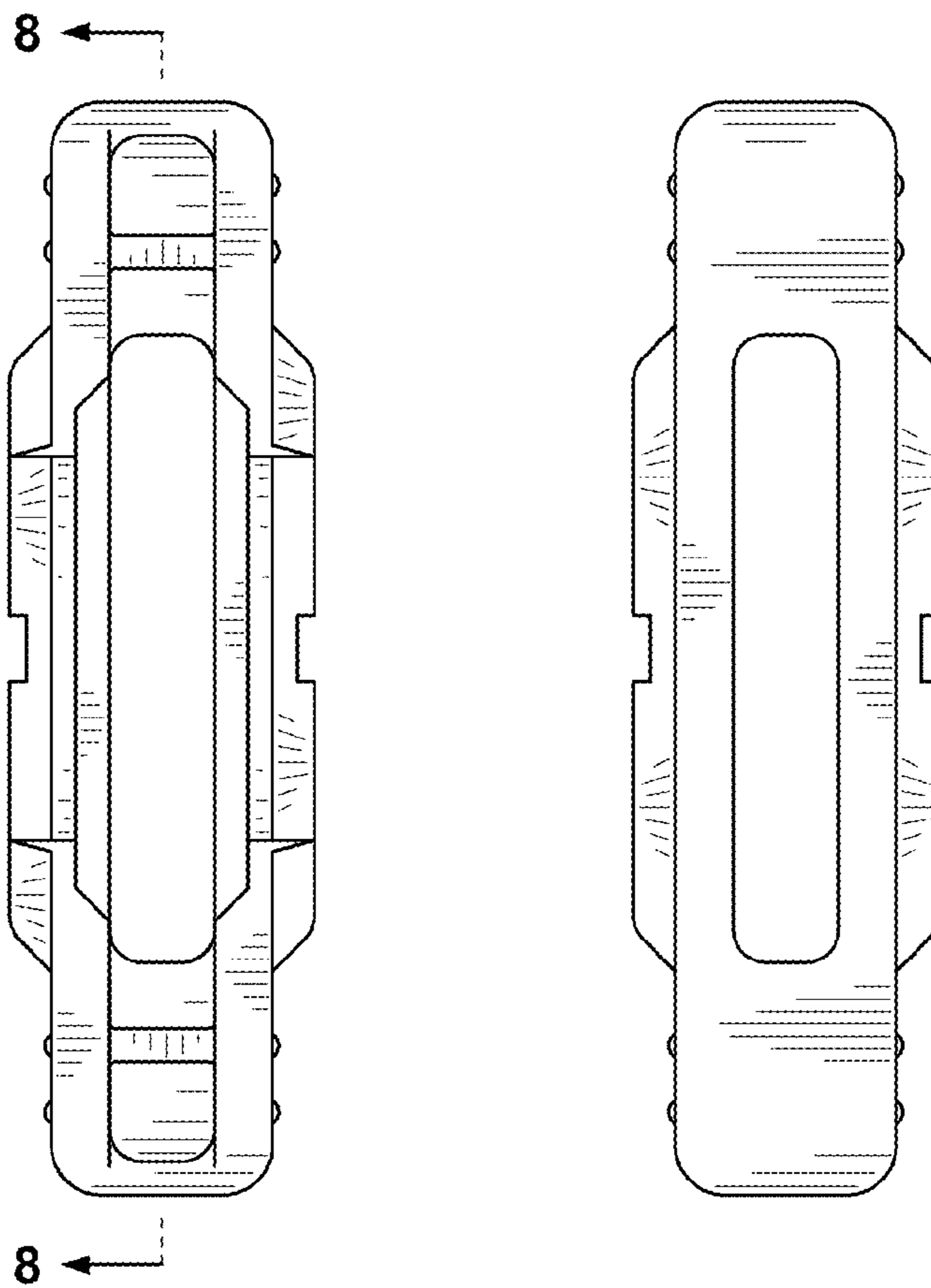


FIG. 5

FIG. 6

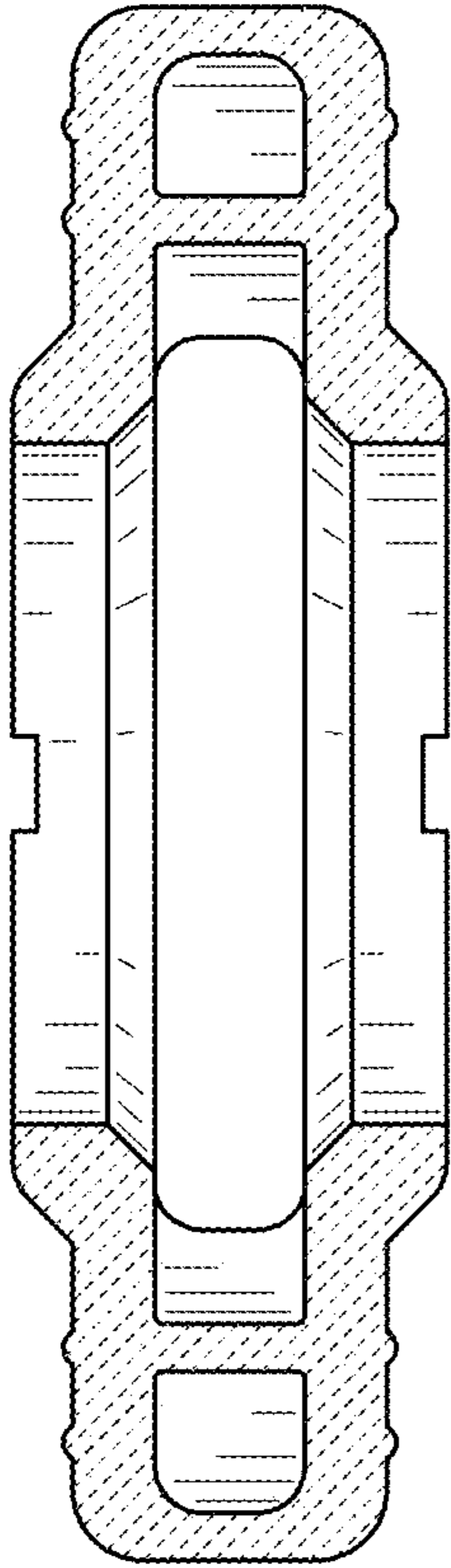


FIG. 7

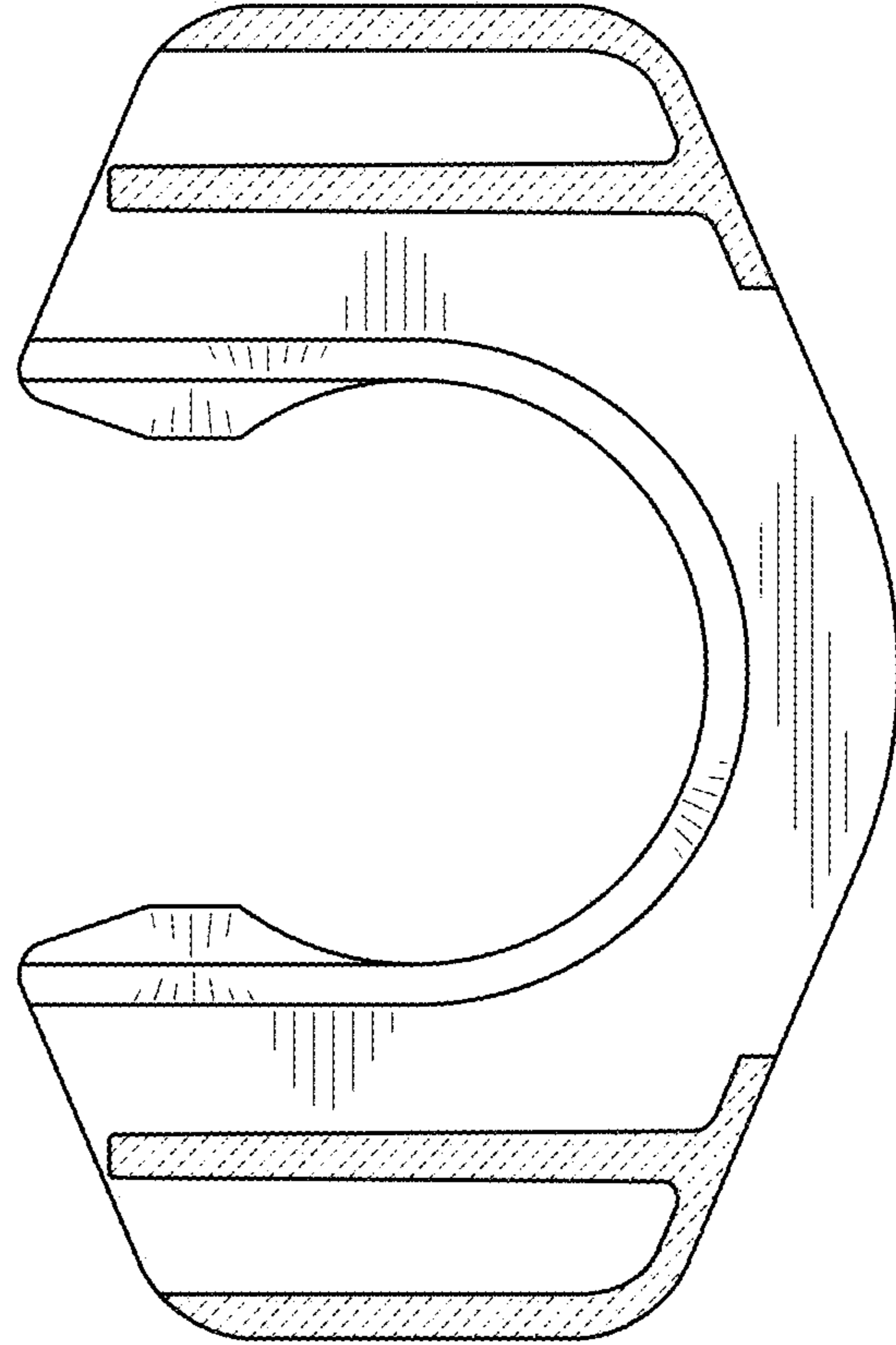


FIG. 8

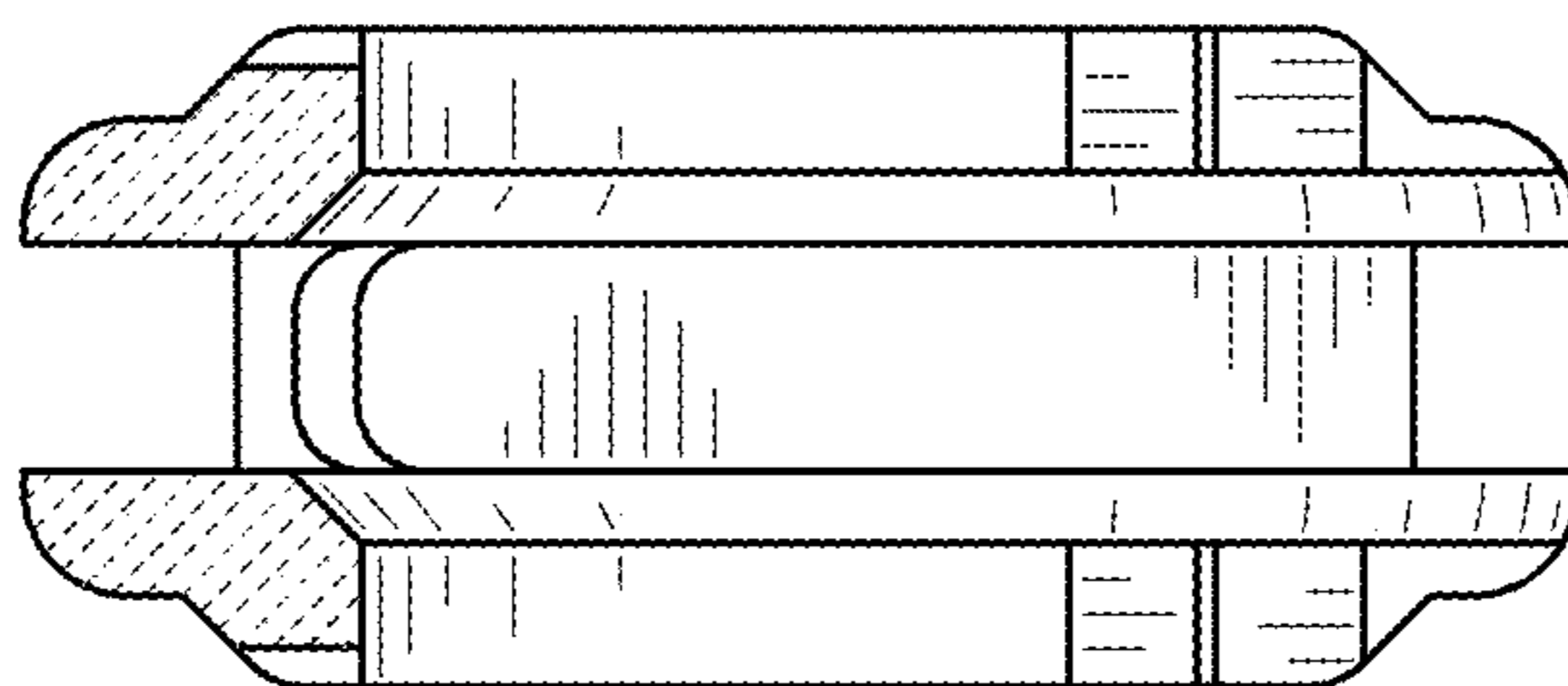


FIG. 9

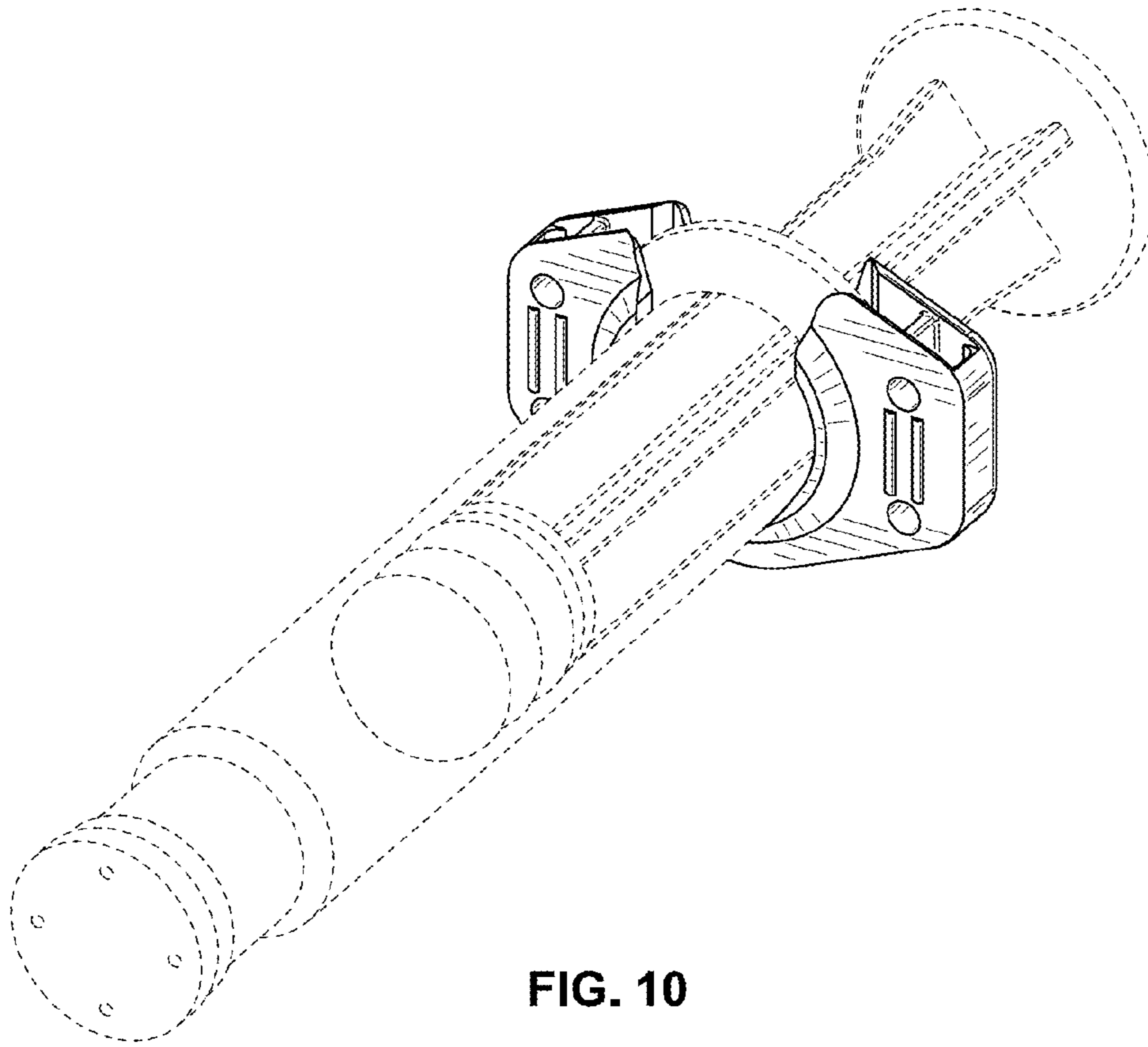


FIG. 10

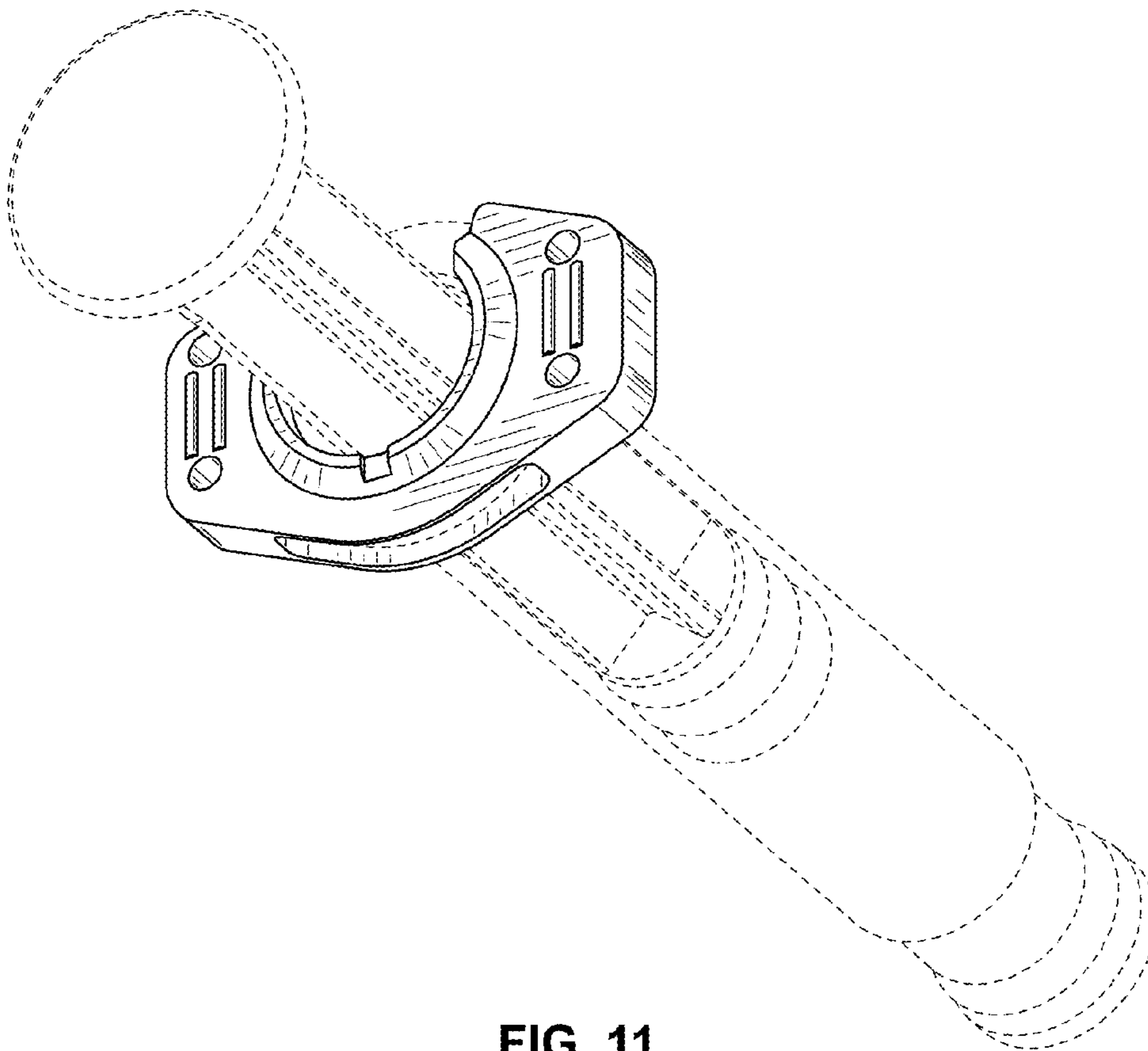


FIG. 11