

US00D895109S

(12) **United States Design Patent**  
**Harkin et al.**

(10) **Patent No.:** **US D895,109 S**

(45) **Date of Patent:** **\*\* Sep. 1, 2020**

(54) **INSERTER FOR AN INFUSION SET**

(71) Applicant: **Roche Diabetes Care, Inc.**,  
Indianapolis, IN (US)

(72) Inventors: **Thomas Z. Harkin**, Bristol (GB); **Mike Unwin**, Bishopston Bristol (GB)

(73) Assignee: **ROCHE DIABETES CARE, INC.**,  
Indianapolis, IN (US)

(\*\*) Term: **15 Years**

(21) Appl. No.: **29/644,496**

(22) Filed: **Apr. 18, 2018**

(30) **Foreign Application Priority Data**

Oct. 18, 2017 (EP) ..... 004410652-0001

(51) **LOC (12) Cl.** ..... **24-02**

(52) **U.S. Cl.**  
USPC ..... **D24/130**

(58) **Field of Classification Search**  
USPC ..... D24/127-131, 112-114, 133, 186;  
606/181, 185; 604/264, 523-528, 272,  
604/187, 158, 164.01-164.11, 181, 184,  
604/227; 600/101, 139, 143;  
128/200.24, 207.14, 207.15  
CPC .. A61M 25/065; A61M 5/42; A61M 25/0612;  
A61M 25/00; A61M 39/00; A61M 27/00;  
A61M 25/0043; A61M 25/0067; A61F  
2/958

See application file for complete search history.

(56) **References Cited**

**U.S. PATENT DOCUMENTS**

D484,591 S \* 12/2003 Rand ..... D24/110  
D602,155 S \* 10/2009 Foley ..... D24/113  
D627,058 S \* 11/2010 Ko ..... D24/108

7,927,325 B2 \* 4/2011 Bright ..... A61M 5/14276  
604/523  
7,931,621 B2 \* 4/2011 Cross ..... A61M 5/1413  
604/158  
8,882,711 B2 \* 11/2014 Saulenas ..... A61M 5/158  
604/164.01  
8,882,713 B1 \* 11/2014 Call ..... A61M 25/09  
604/164.01  
2001/0053889 A1 \* 12/2001 Marggi ..... A61M 25/0097  
604/164.11  
2007/0185441 A1 \* 8/2007 Fangrow, Jr. .... A61M 5/158  
604/93.01  
2011/0172639 A1 \* 7/2011 Moga ..... A61M 5/14224  
604/506  
2015/0367117 A1 \* 12/2015 Ross ..... A61M 5/158  
604/506  
2016/0243302 A1 \* 8/2016 Gym ..... A61M 5/158  
2017/0340827 A1 \* 11/2017 Nazzaro ..... A61M 5/28

\* cited by examiner

*Primary Examiner* — David G Muller

(74) *Attorney, Agent, or Firm* — Woodard, Emhardt,  
Henry, Reeves & Wagner, LLP

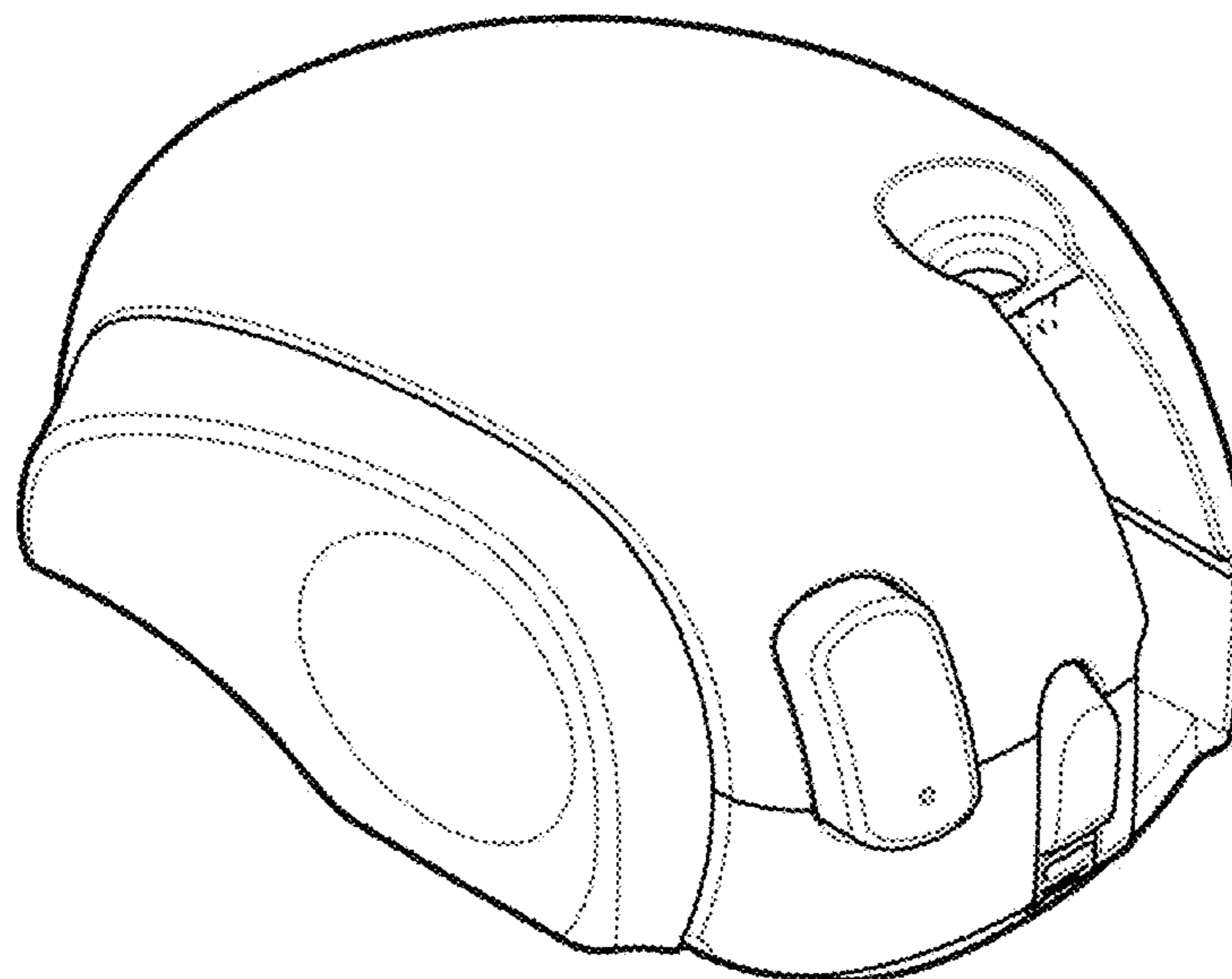
(57) **CLAIM**

The ornamental design for an inserter for an infusion set, as shown and described.

**DESCRIPTION**

FIG. 1 is a perspective view of the inserter showing our new design;  
FIG. 2 is a top plan view thereof;  
FIG. 3 is a front elevational view thereof;  
FIG. 4 is a left side elevational view thereof;  
FIG. 5 is a right side elevational view thereof;  
FIG. 6 is a rear elevational view thereof;  
FIG. 7 is a bottom plan view thereof; and,  
FIG. 8 is an isometric view thereof.  
The broken line showing of parts of the drawings is included for the purpose of illustrating use and environment and forms no part of the claimed design.

**1 Claim, 8 Drawing Sheets**



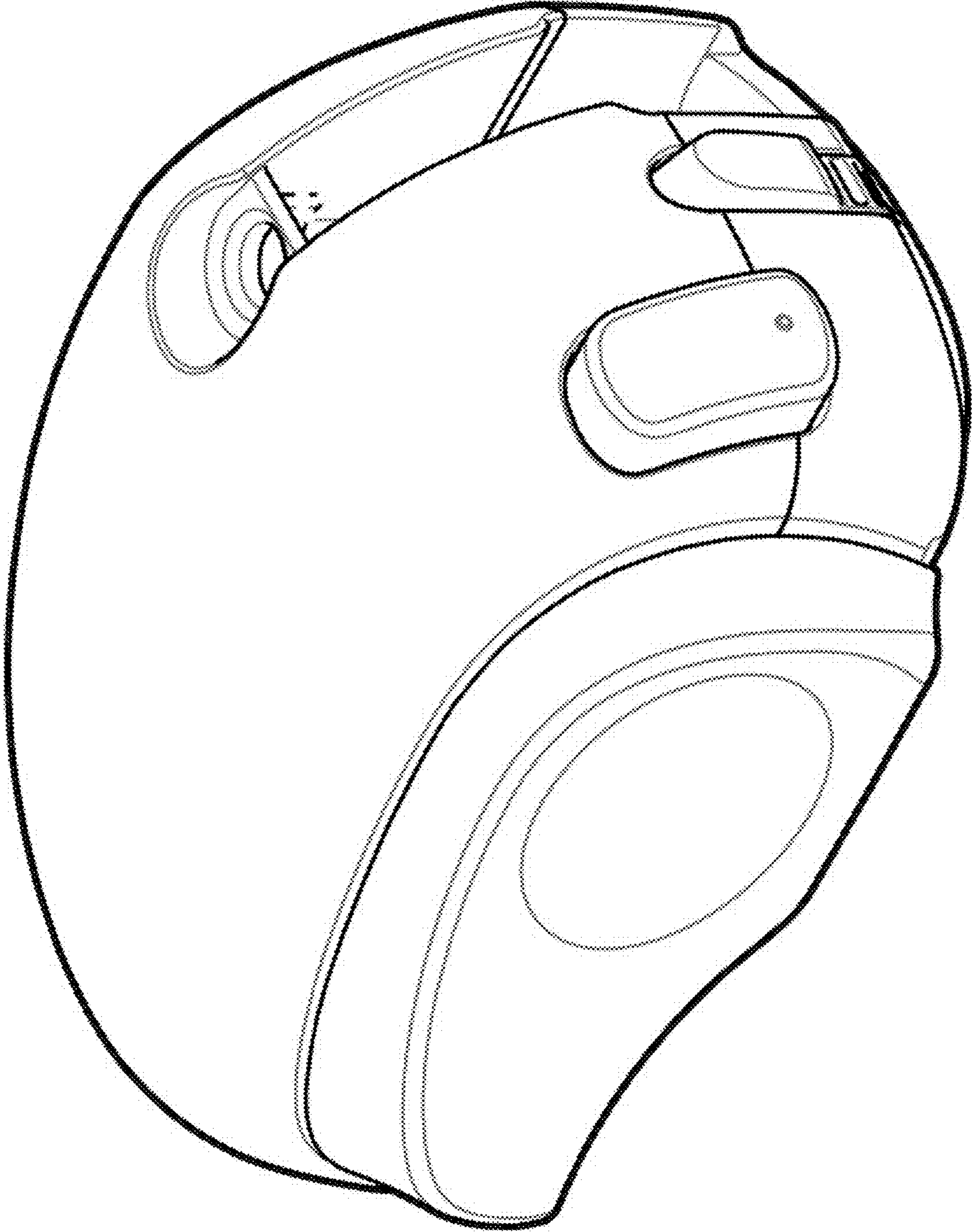
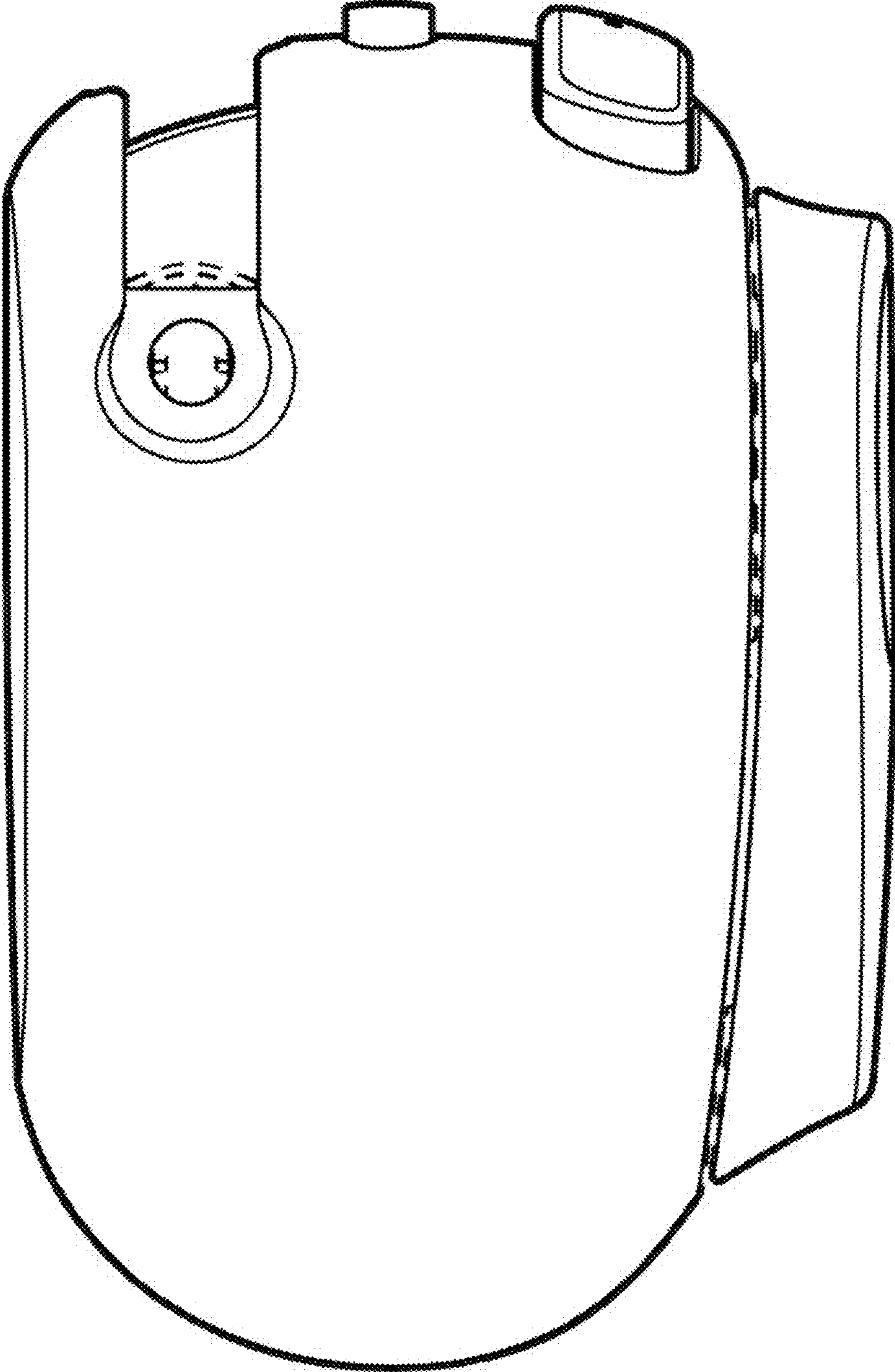


FIG. 1

FIG. 2





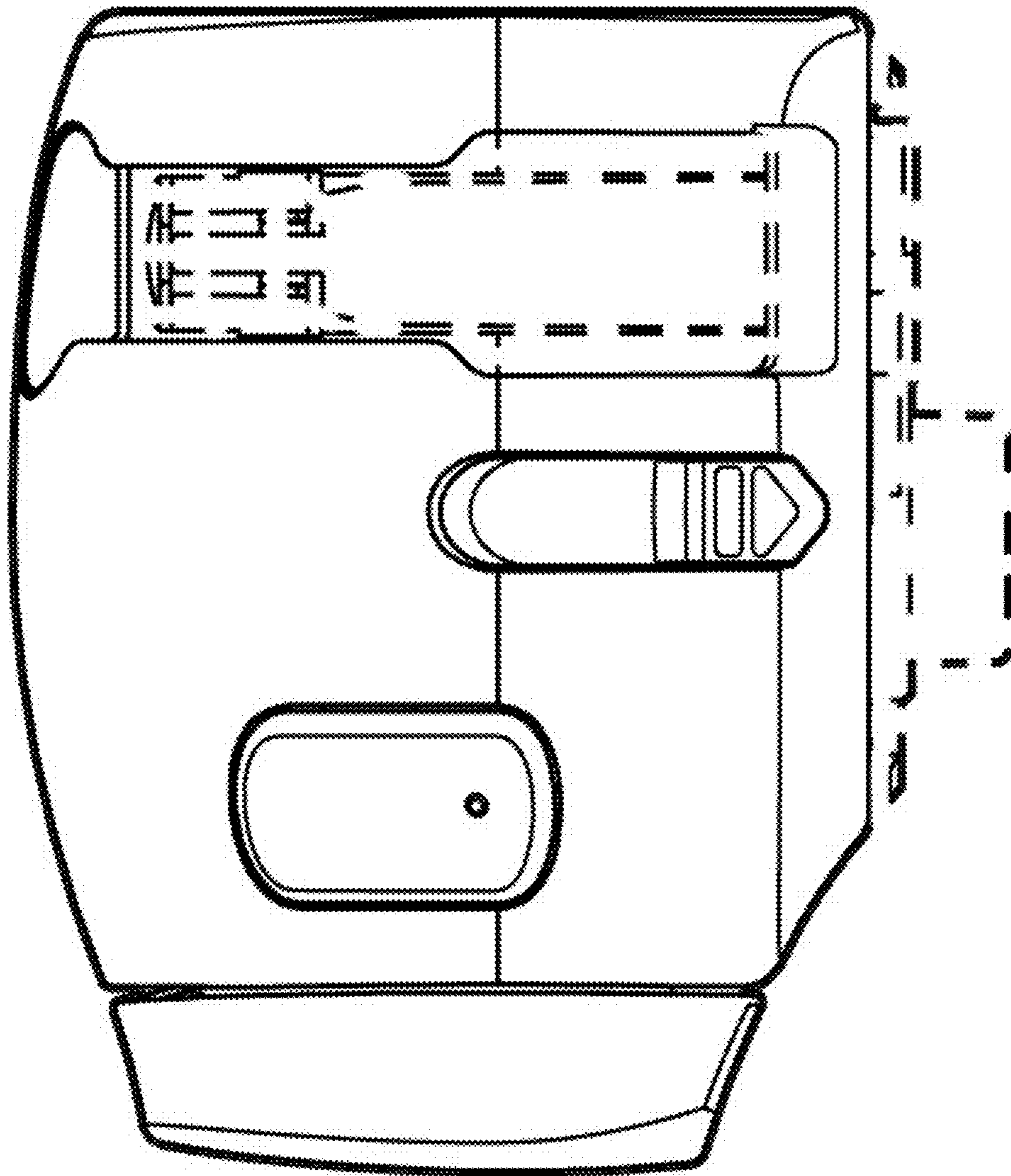


FIG. 3

FIG. 4

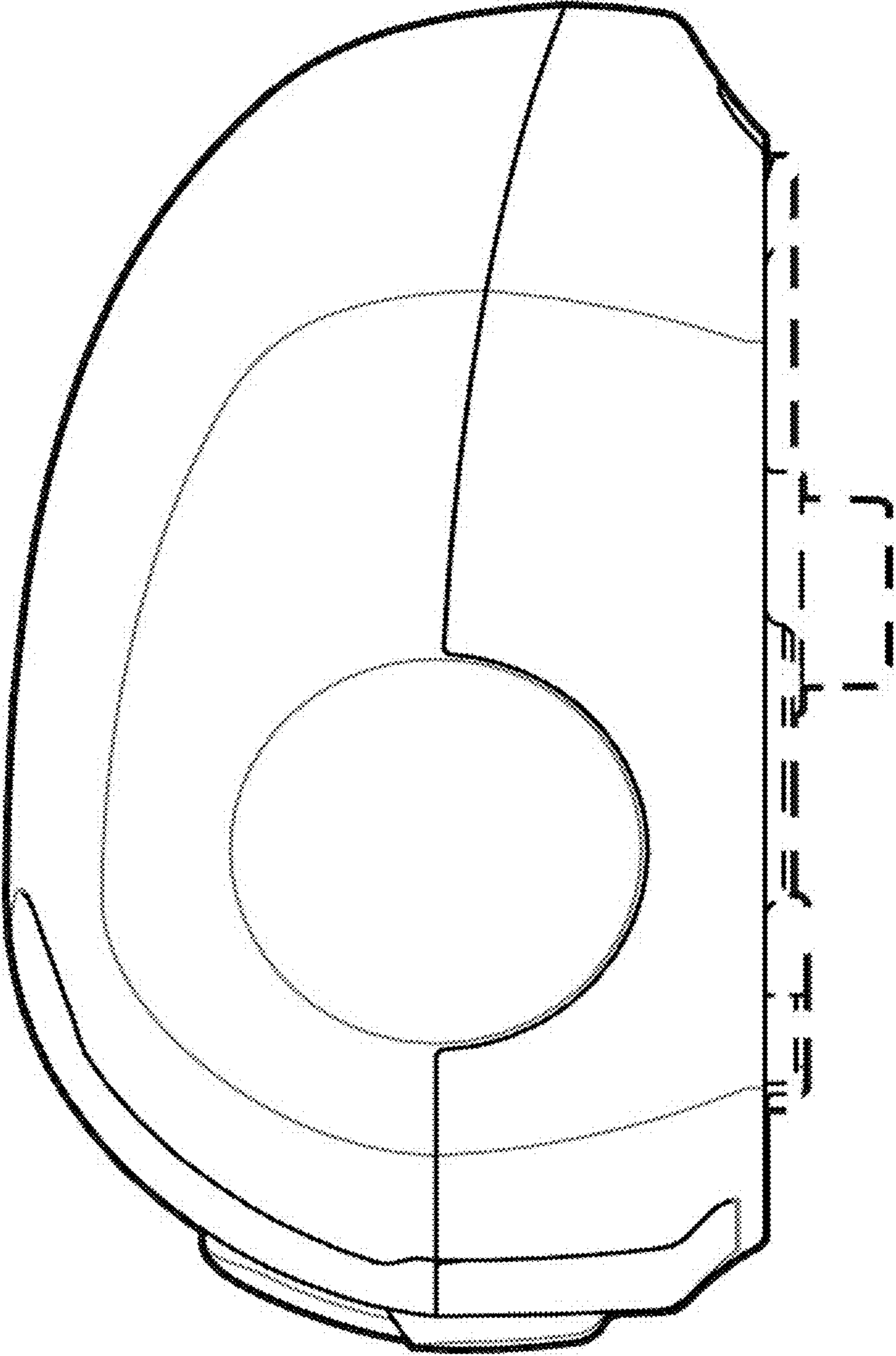


FIG. 5

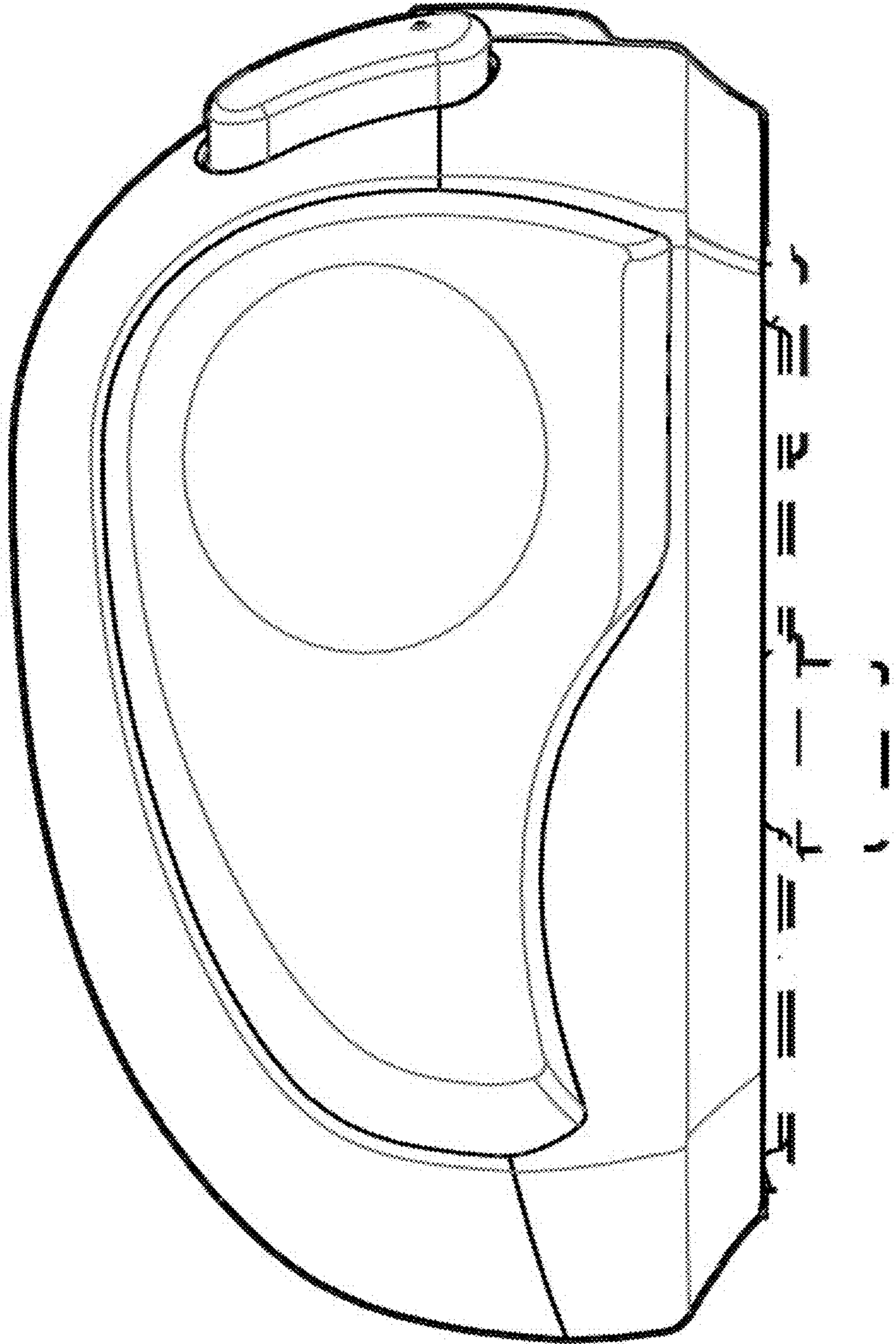


FIG. 6

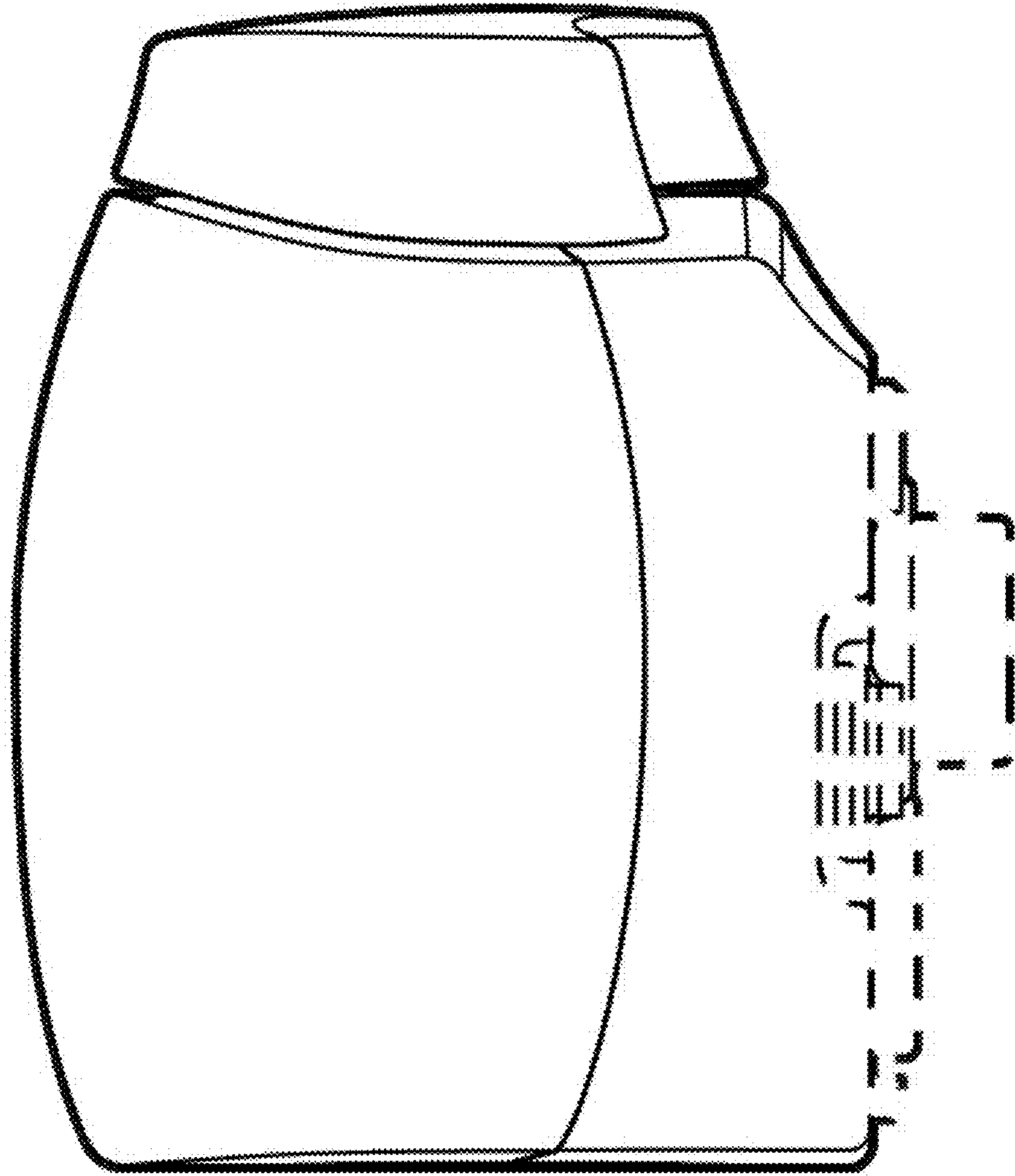
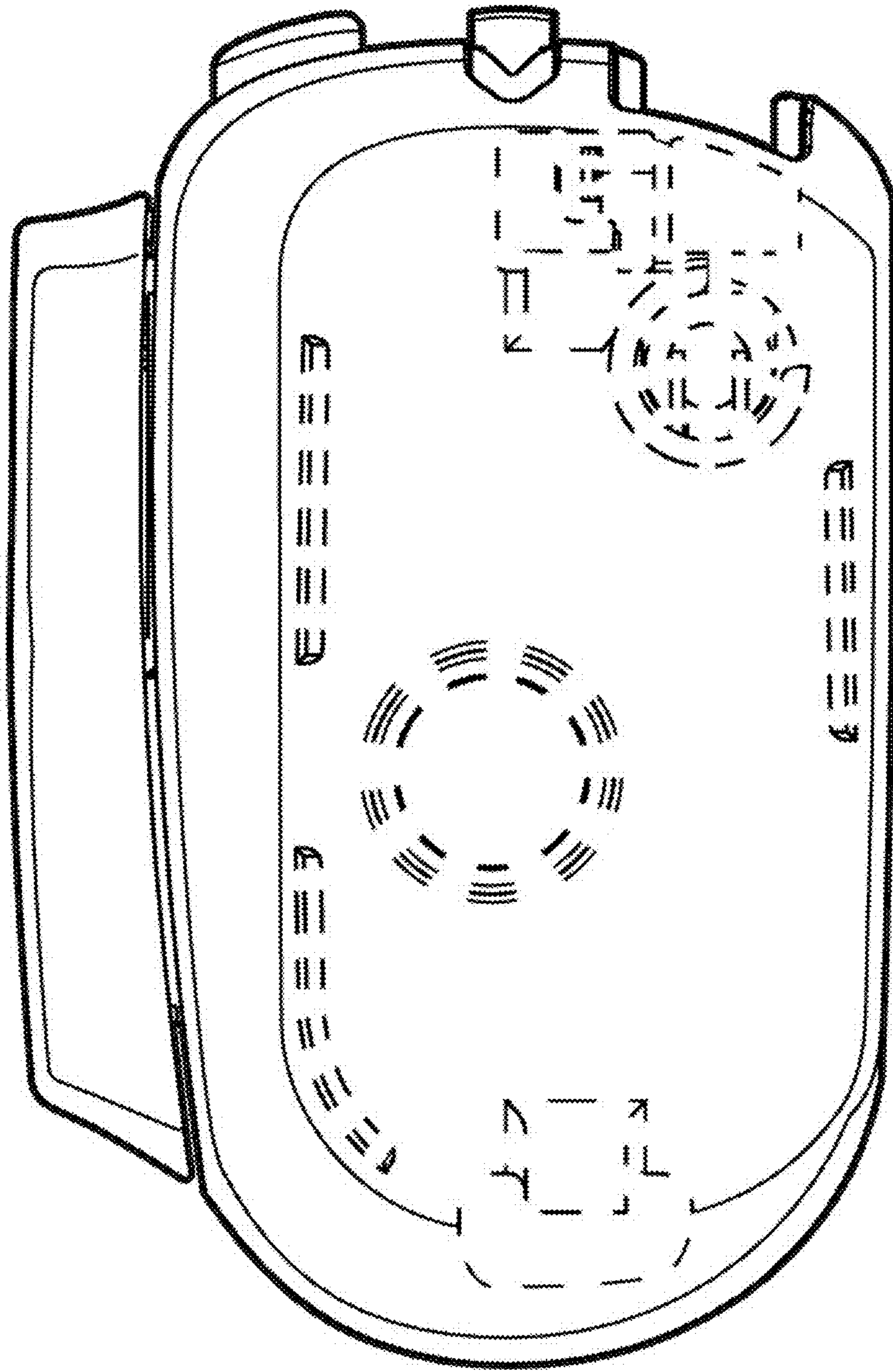




FIG. 7





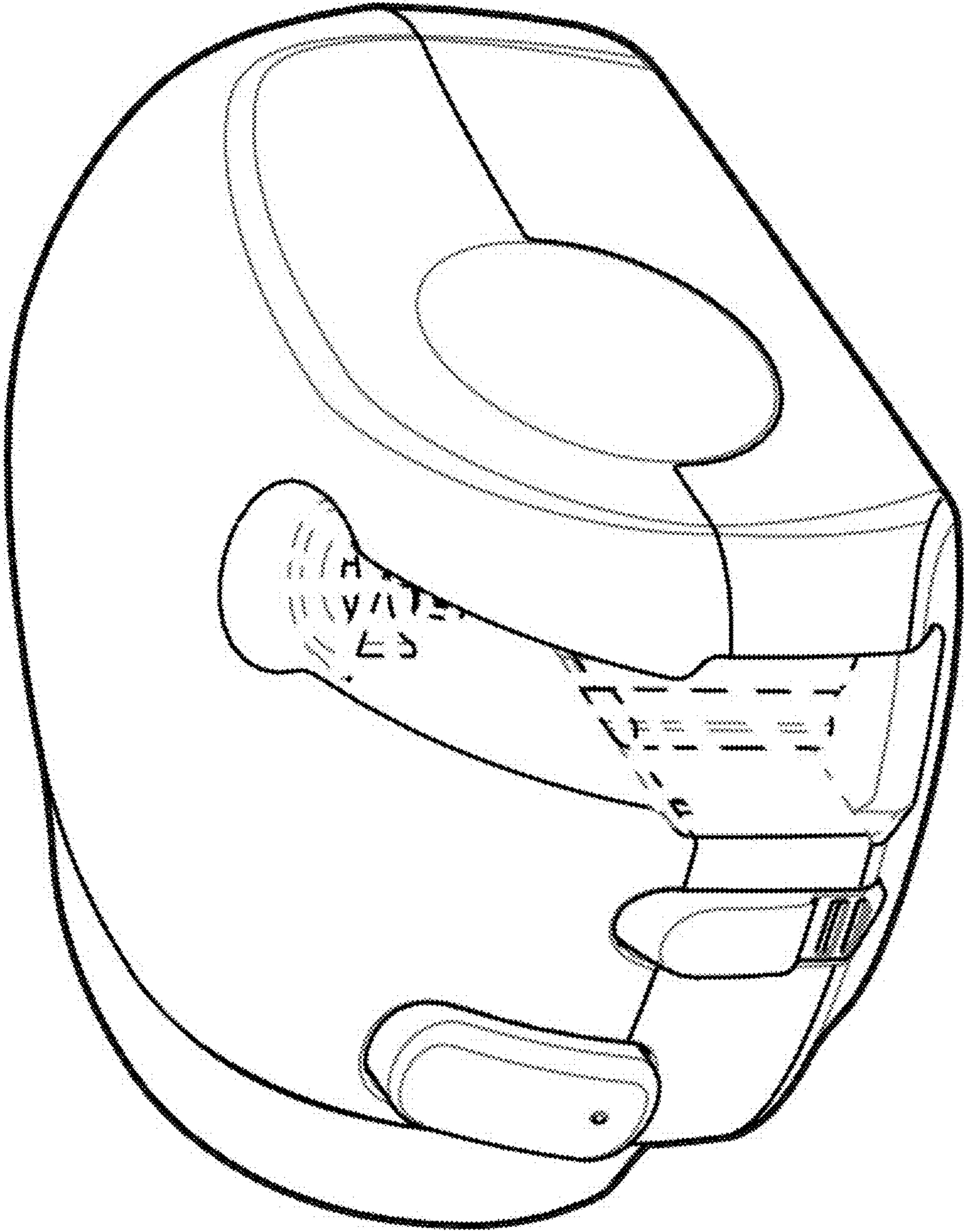


FIG. 8