



US00D895107S

(12) **United States Design Patent** (10) **Patent No.:** **US D895,107 S**  
**Zhang** (45) **Date of Patent:** **\*\* Sep. 1, 2020**

(54) **BIDET**

(71) Applicant: **Xiaobin Zhang**, Xiamen (CN)

(72) Inventor: **Xiaobin Zhang**, Xiamen (CN)

(\*\*) Term: **15 Years**

(21) Appl. No.: **29/731,401**

(22) Filed: **Apr. 15, 2020**

(51) **LOC (12) Cl.** ..... **24-02**

(52) **U.S. Cl.**  
 USPC ..... **D24/121**

(58) **Field of Classification Search**  
 USPC ..... D24/112–115, 108, 133, 130, 127, 197,  
 D24/121, 122; D23/295–303; D9/447,  
 D9/549; 606/181, 185; 604/264, 272,  
 604/187, 181, 184, 227  
 CPC ..... A61M 5/178; A61M 3/00  
 See application file for complete search history.

(56) **References Cited**

U.S. PATENT DOCUMENTS

4,140,120 A \* 2/1979 Yamauchi ..... A61M 3/0262  
 4/443

D294,986 S \* 3/1988 Atchley ..... D30/132

D328,421 S \* 8/1992 Weiler ..... D24/115

D334,341 S \* 3/1993 Brown ..... D7/312

D348,802 S \* 7/1994 Miller, III ..... D12/411

D384,149 S \* 9/1997 Usher ..... D24/110

5,937,451 A \* 8/1999 Mihara ..... E03D 9/085  
 239/583

D655,380 S \* 3/2012 Taylor ..... D23/213

D702,830 S \* 4/2014 Hannah ..... D24/108

D775,724 S \* 1/2017 Pagliacci ..... D24/115

D785,258 S 4/2017 Canas et al.

D818,227 S 5/2018 Nam et al.

D821,567 S \* 6/2018 Feldman ..... D24/108

D826,493 S 8/2018 Nam et al.

D872,852 S \* 1/2020 Mechor ..... D24/108

D875,244 S \* 2/2020 Wainberg ..... D24/130

\* cited by examiner

*Primary Examiner* — David G Muller  
 (74) *Attorney, Agent, or Firm* — HYIP

(57) **CLAIM**

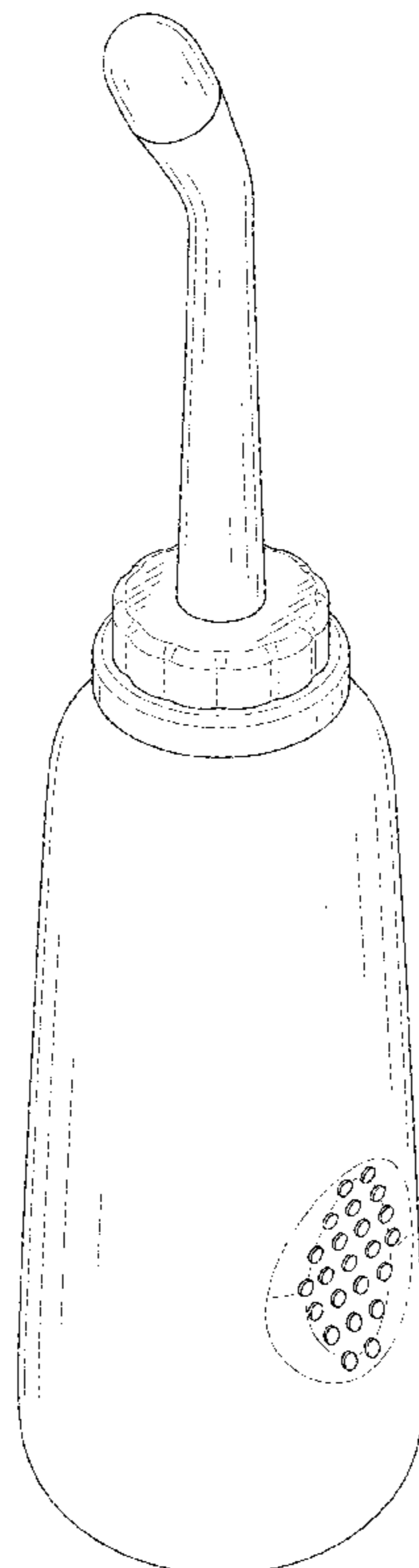
The ornamental design for a bidet, as shown and described.

**DESCRIPTION**

FIG. 1 is a first perspective view of a bidet showing my new design;  
 FIG. 2 is a second perspective view thereof;  
 FIG. 3 is a front view thereof;  
 FIG. 4 is a back view thereof;  
 FIG. 5 is a left side view thereof;  
 FIG. 6 is a right side view thereof;  
 FIG. 7 is a top view thereof;  
 FIG. 8 is a bottom view thereof; and,  
 FIG. 9 is a perspective view of another state of the bidet thereof.

The broken lines shown in the drawings depict portions of the bidet in which the design is embodied that form no part of the claimed design.

**1 Claim, 9 Drawing Sheets**



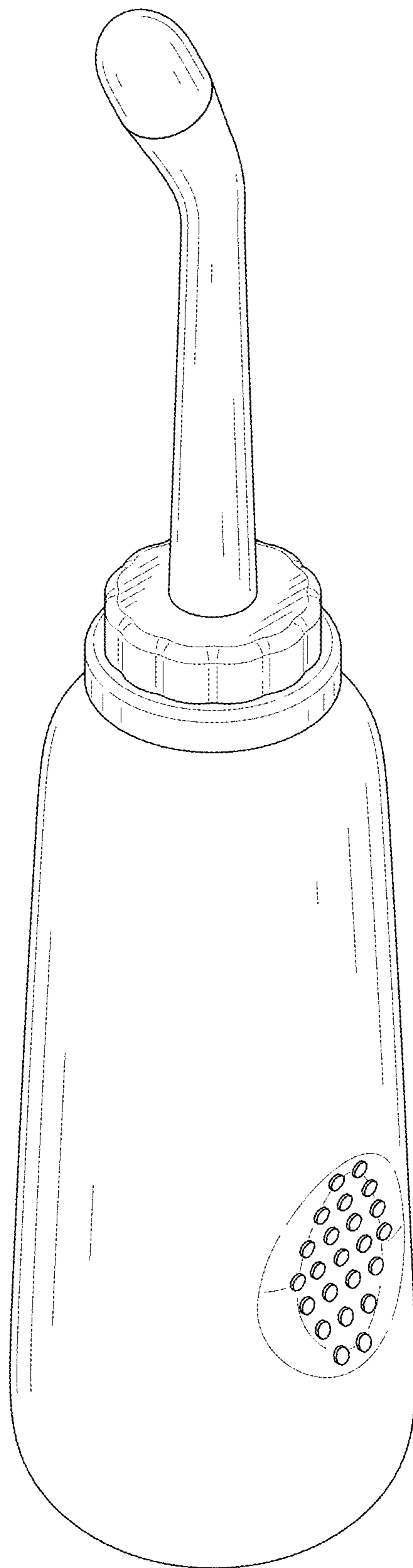


FIG. 1

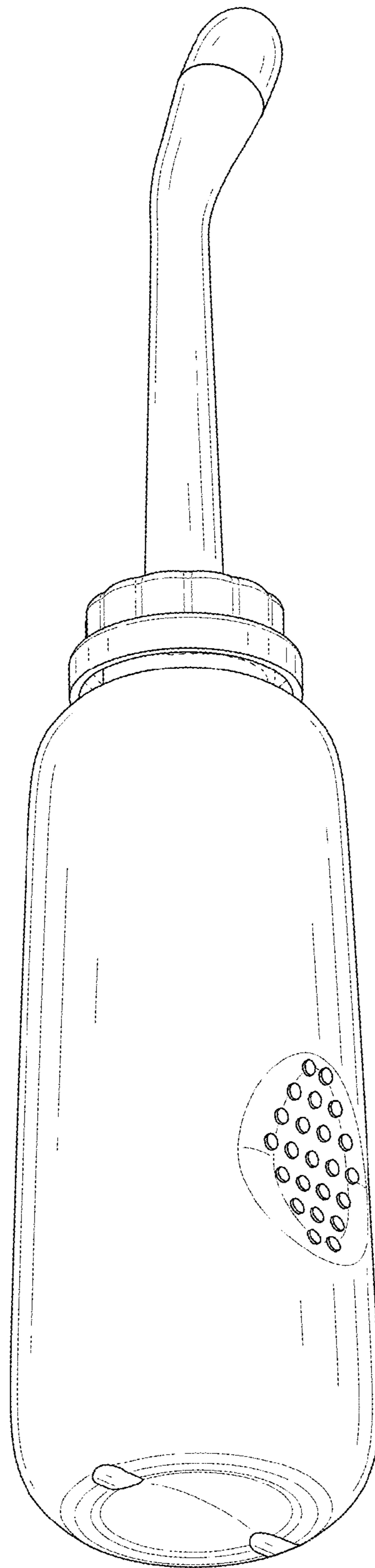


FIG. 2

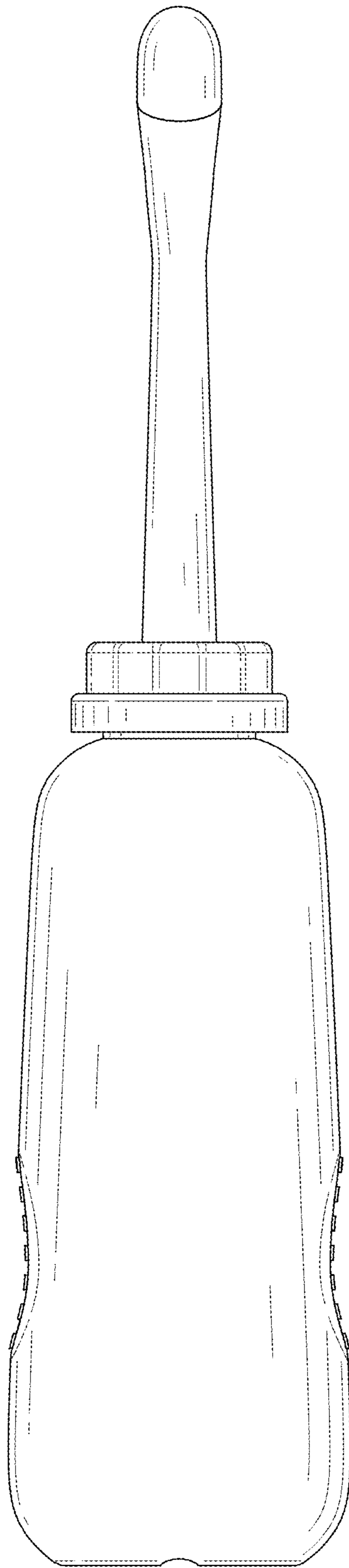


FIG. 3

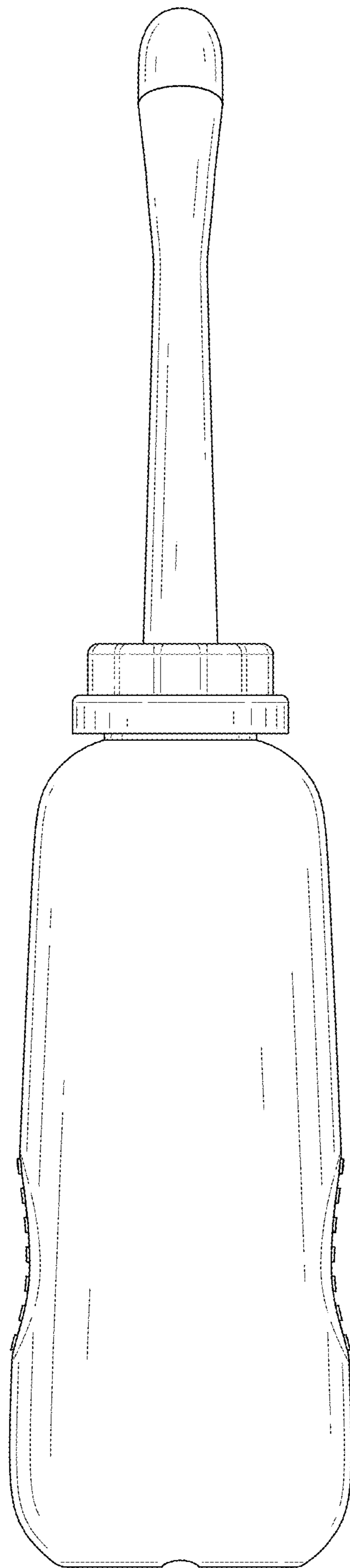


FIG. 4

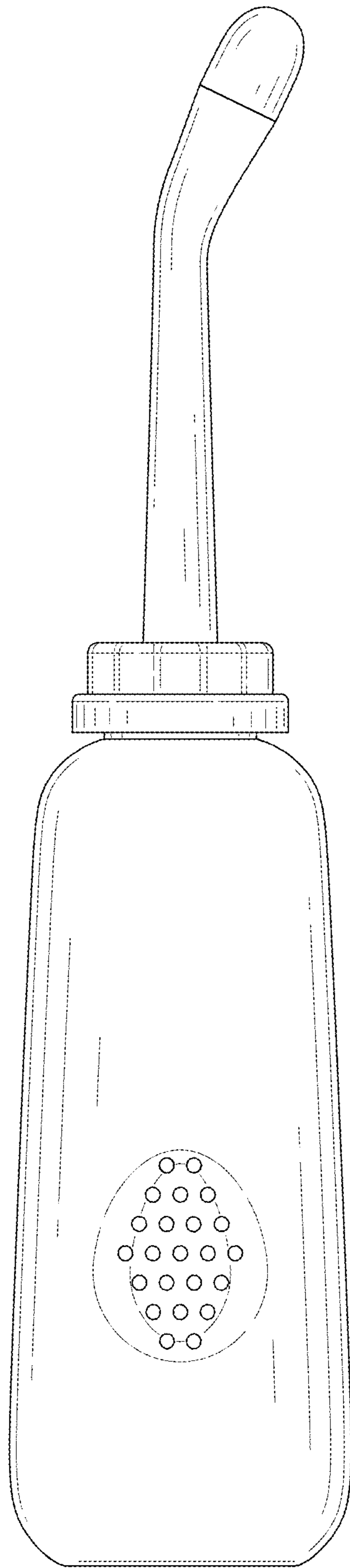


FIG. 5

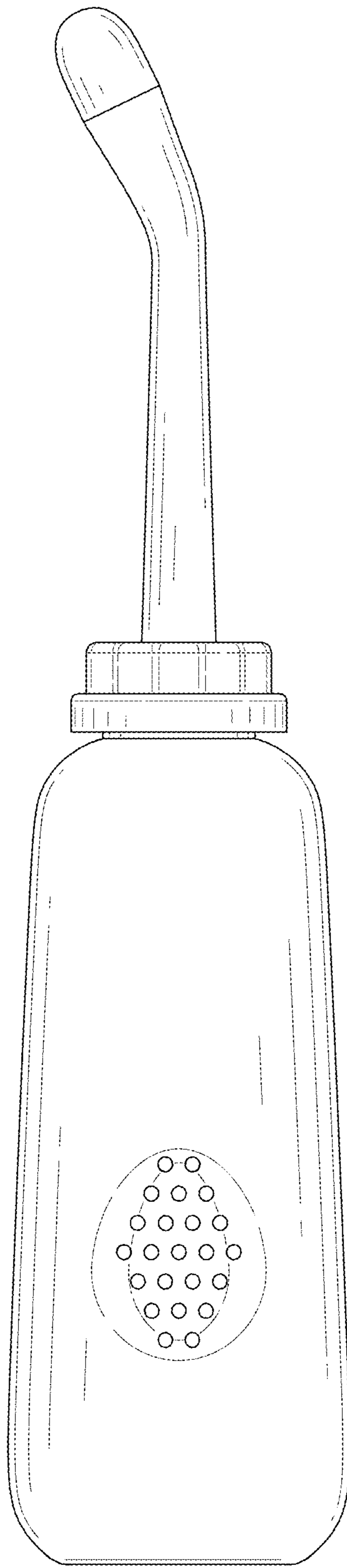


FIG. 6

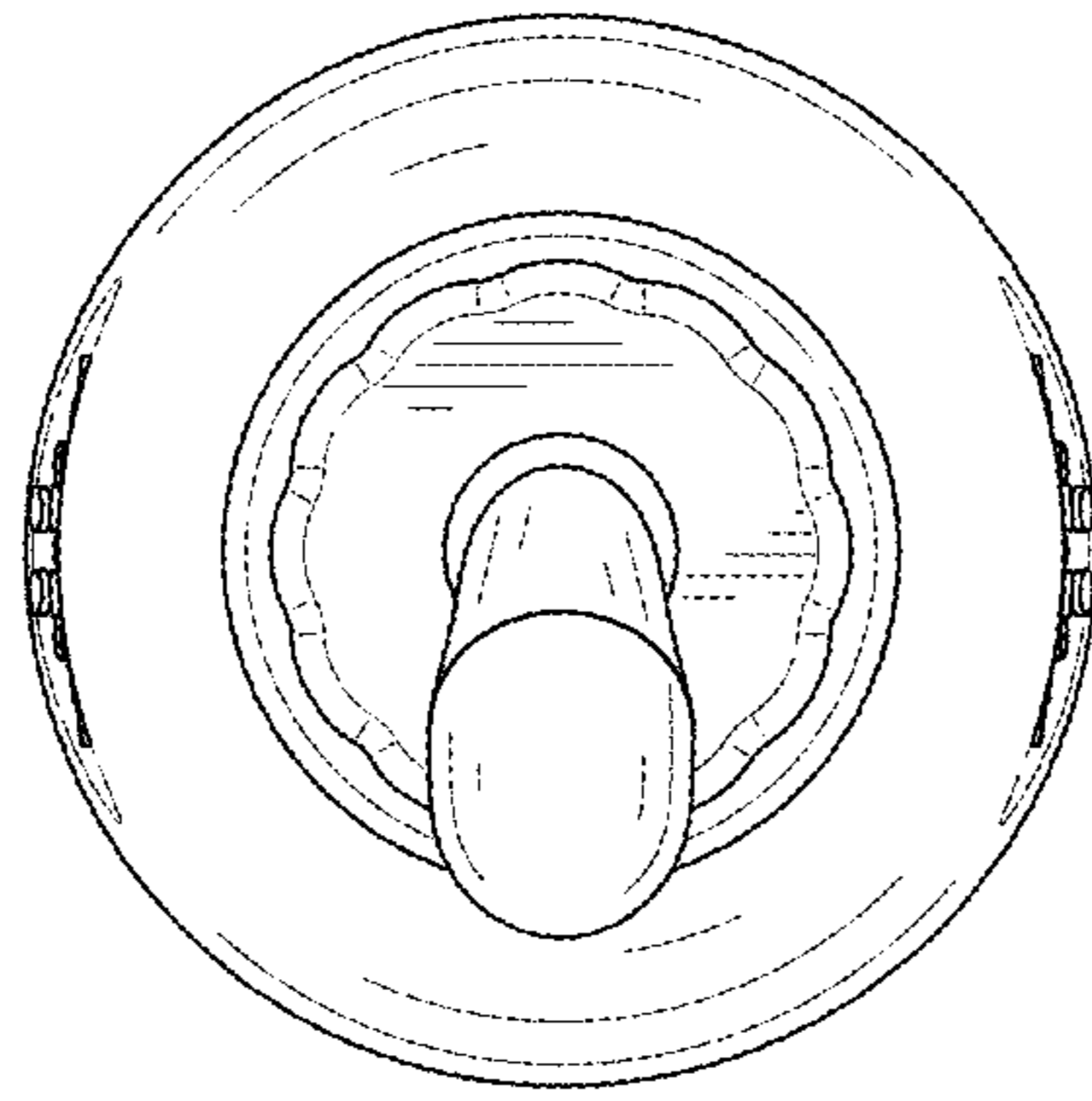


FIG. 7



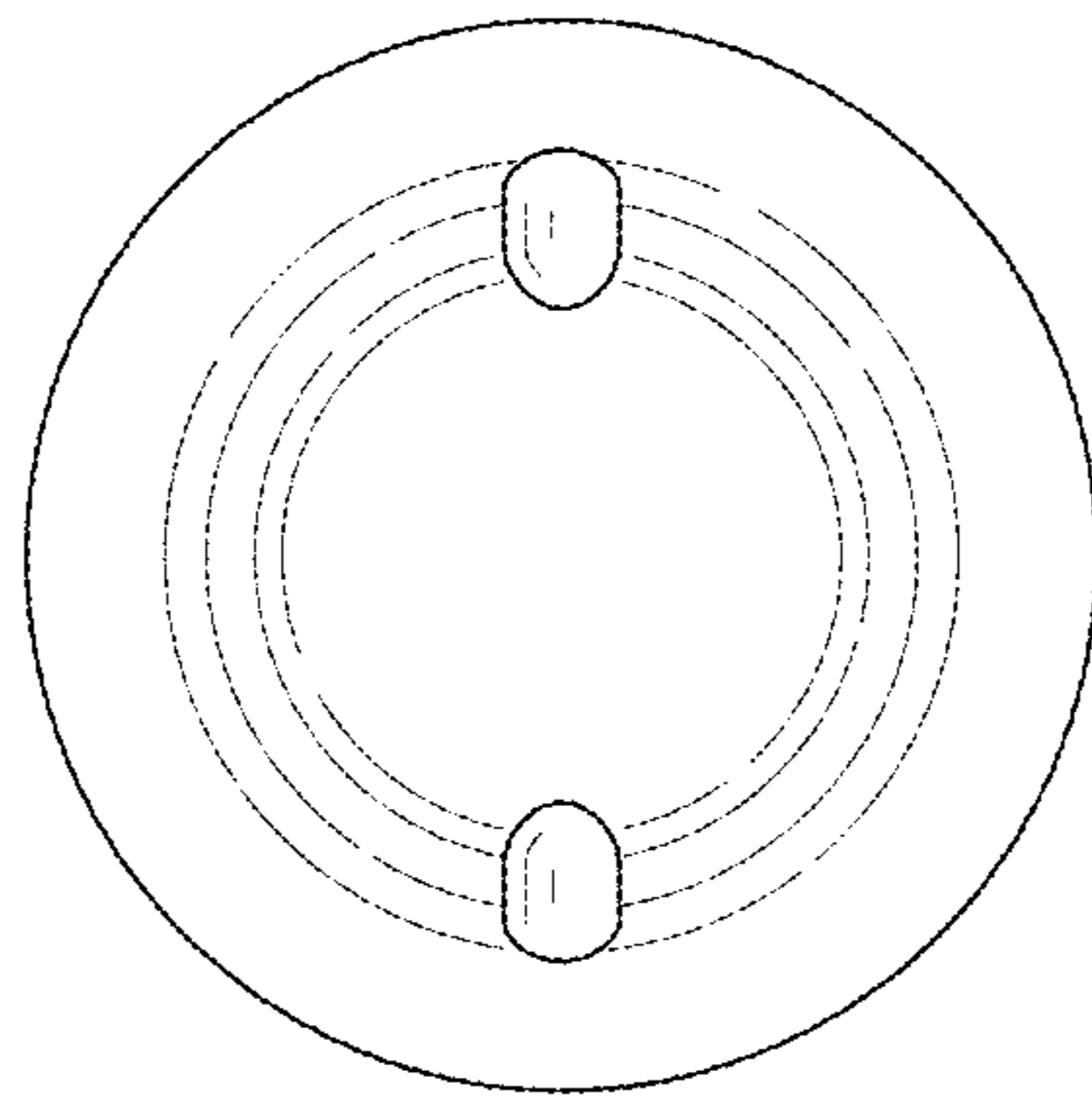


FIG. 8

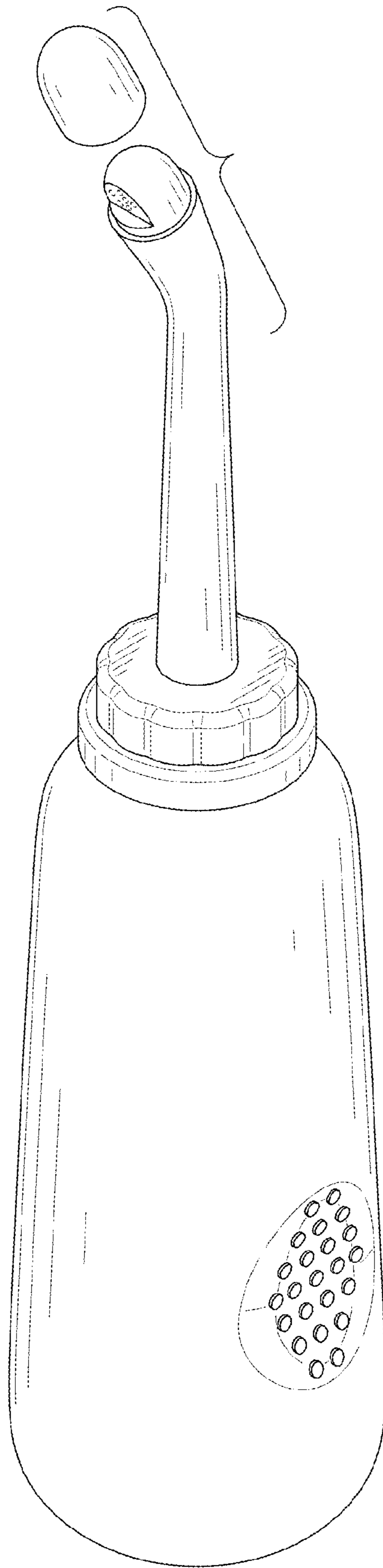


FIG. 9