



US00D895106S

(12) **United States Design Patent** (10) **Patent No.:** **US D895,106 S**
Patil (45) **Date of Patent:** **** Sep. 1, 2020**

(54) **MEDICAL PEN INJECTOR**
(71) Applicant: **Sun Pharmaceutical Industries Limited**, Mumbai, Maharashtra (IN)
(72) Inventor: **Satyashodhan Patil**, Vadodara (IN)
(73) Assignee: **SUN PHARMACEUTICAL INDUSTRIES LIMITED**, Mumbai (IN)
(**) Term: **15 Years**

D696,397 S	12/2013	Guarraia et al.	
D697,205 S *	1/2014	Schneider	D24/113
9,095,658 B2	8/2015	Wieselblad	
D758,566 S *	6/2016	Chen	D24/113
D773,649 S	12/2016	Wohlfahrt et al.	
D774,641 S *	12/2016	Miggels	D24/113
D786,423 S *	5/2017	Jones	D24/113
D787,047 S *	5/2017	Bainton	D24/113
D802,750 S *	11/2017	Jones	D24/113
D861,859 S *	10/2019	Rapp	D24/113
D866,757 S *	11/2019	Diluzio	D24/133
D868,961 S *	12/2019	Stewart	D24/112
D878,563 S *	3/2020	Clawson	D24/113
D881,391 S *	4/2020	Rogel	D24/130

(21) Appl. No.: **29/688,165**
(22) Filed: **Apr. 18, 2019**
(51) **LOC (12) Cl.** **24-02**
(52) **U.S. Cl.**
USPC **D24/113**
(58) **Field of Classification Search**
USPC D24/112-114, 108, 133, 130, 127, 186;
606/181, 185; 604/264, 272, 187, 181,
604/184, 227
CPC A61M 5/178; A61M 3/00; A61M 5/20;
A61M 5/31; A61M 5/3146; A61M
5/3129; A61M 5/3148; A61M 5/315
See application file for complete search history.

* cited by examiner

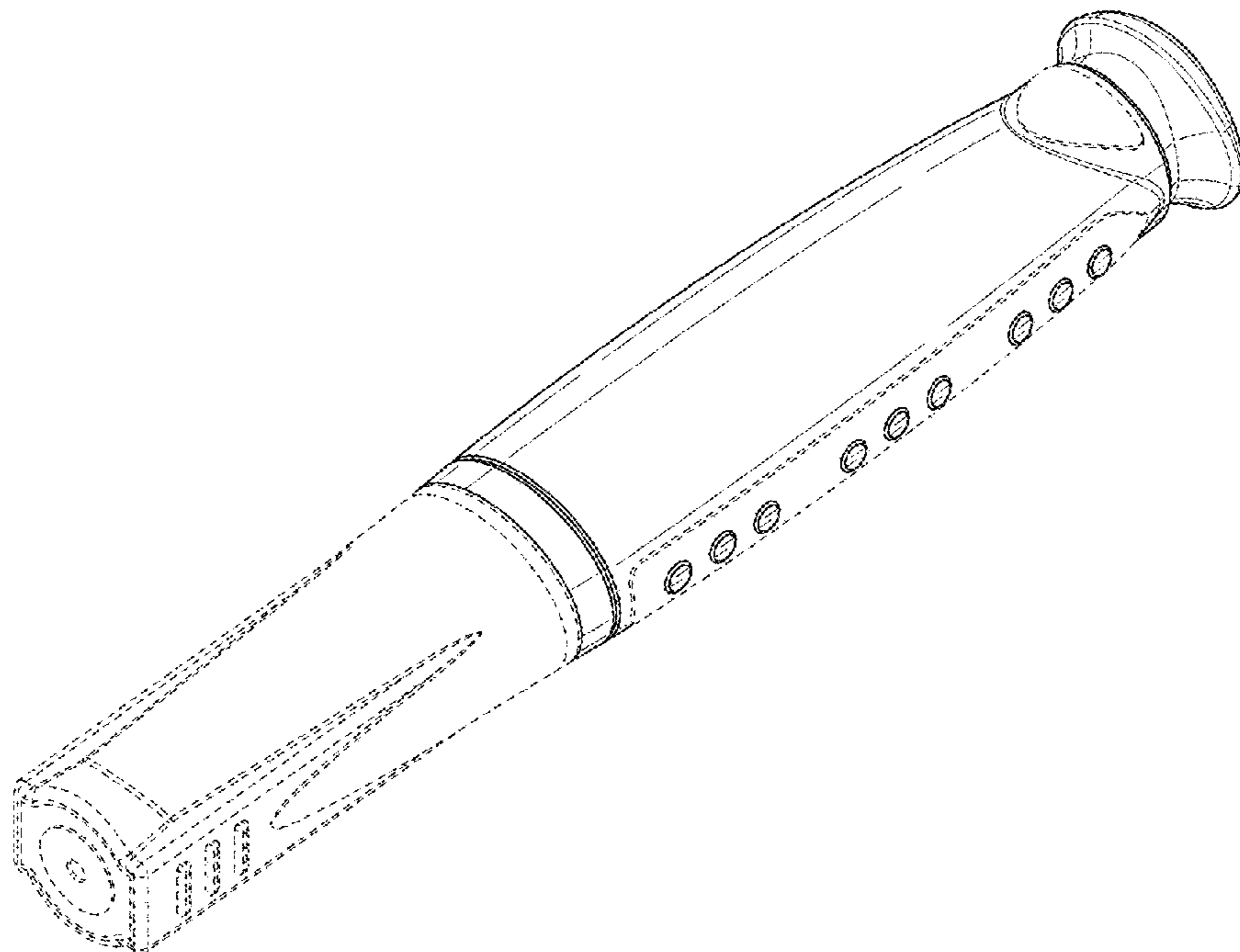
Primary Examiner — David G Muller
(74) *Attorney, Agent, or Firm* — Medler Ferro
Woodhouse & Mills PLLC

(56) **References Cited**
U.S. PATENT DOCUMENTS
D531,308 S * 10/2006 Bendek D24/114
D545,439 S * 6/2007 Draudt D24/186
7,517,334 B2 4/2009 Jacobs et al.
D599,009 S 8/2009 Tyce
D613,861 S 4/2010 Hunter et al.
7,857,791 B2 12/2010 Jacobs et al.
D676,546 S 2/2013 Lovell et al.

(57) **CLAIM**
The ornamental design for a medical pen injector, as shown and described.

DESCRIPTION
FIG. 1 is a bottom, perspective view of a medical pen injector showing my new design.
FIG. 2 is a top, perspective view thereof;
FIG. 3 is a bottom plan view thereof;
FIG. 4 is a front elevation view thereof;
FIG. 5 is a top plan view thereof;
FIG. 6 is a rear elevation view thereof;
FIG. 7 is a left side elevation view thereof; and,
FIG. 8 is a right side elevation view thereof.
The dashed lines are environment only and form no part of the claimed design.

1 Claim, 4 Drawing Sheets



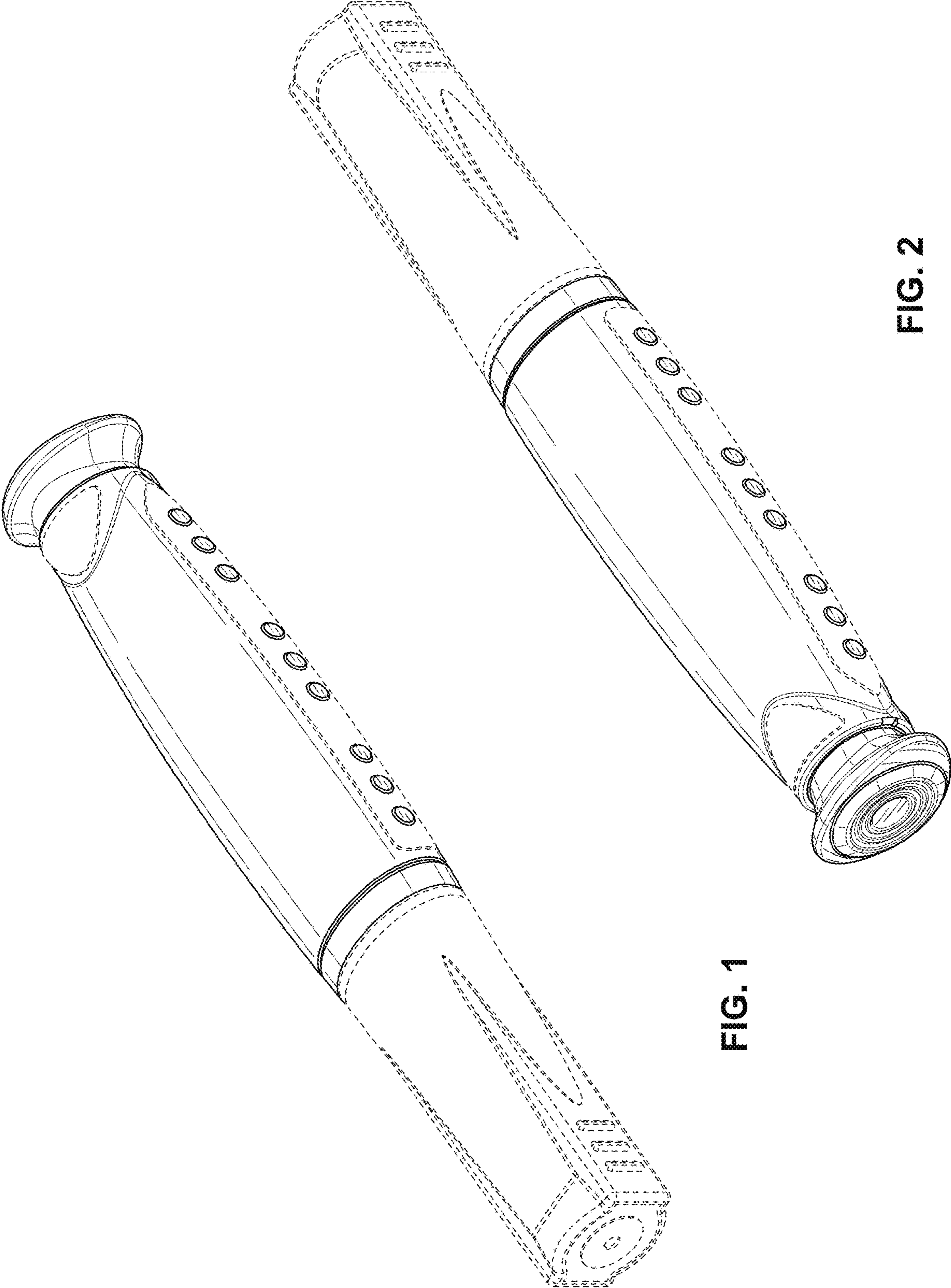


FIG. 1

FIG. 2

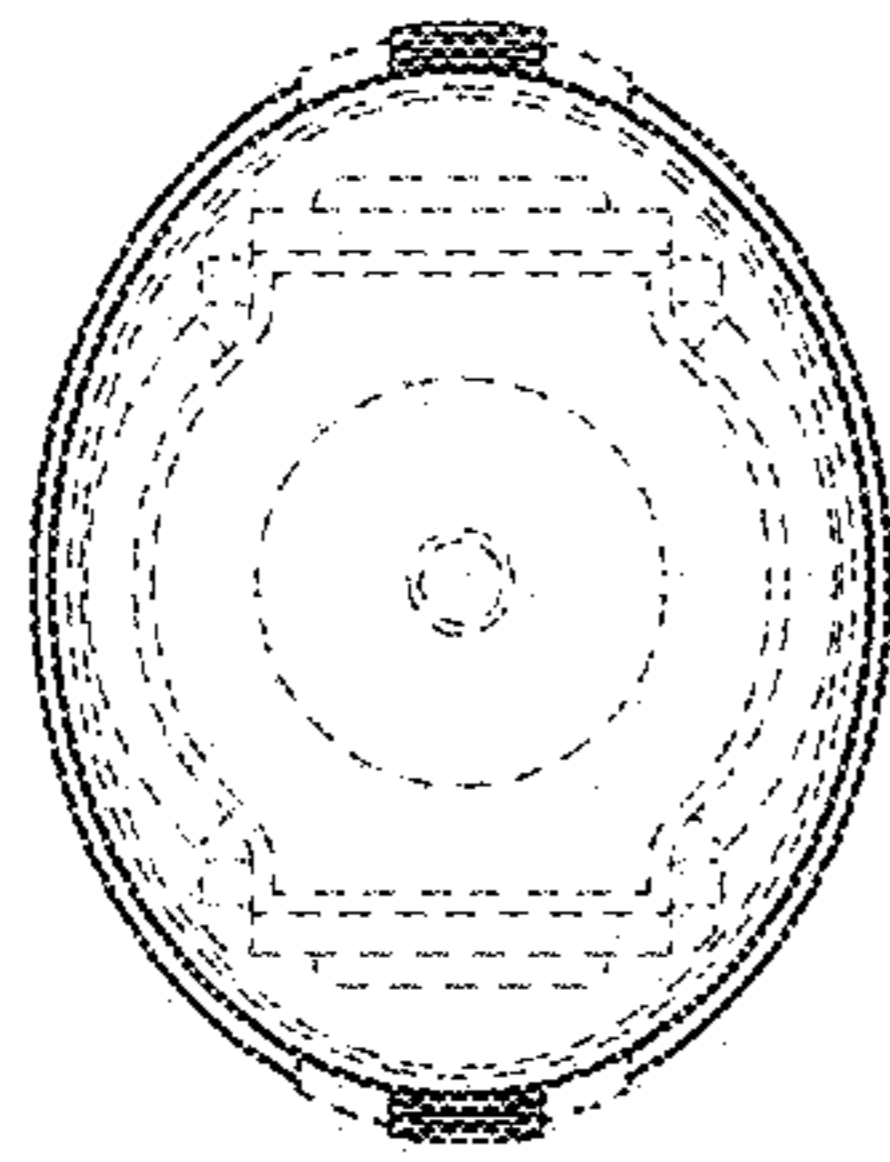


FIG. 3

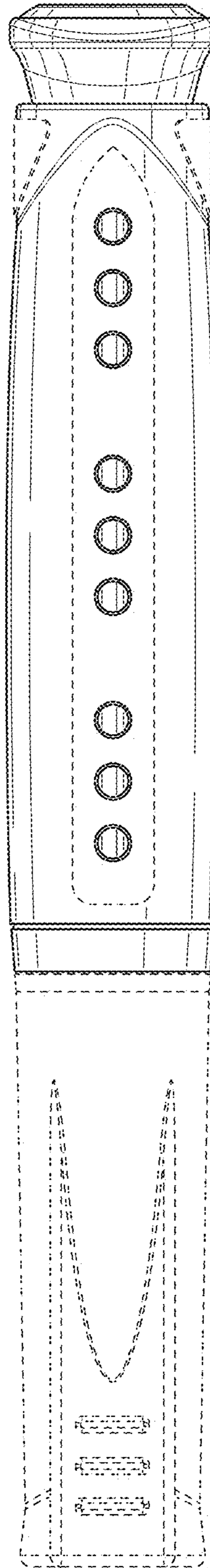


FIG. 4

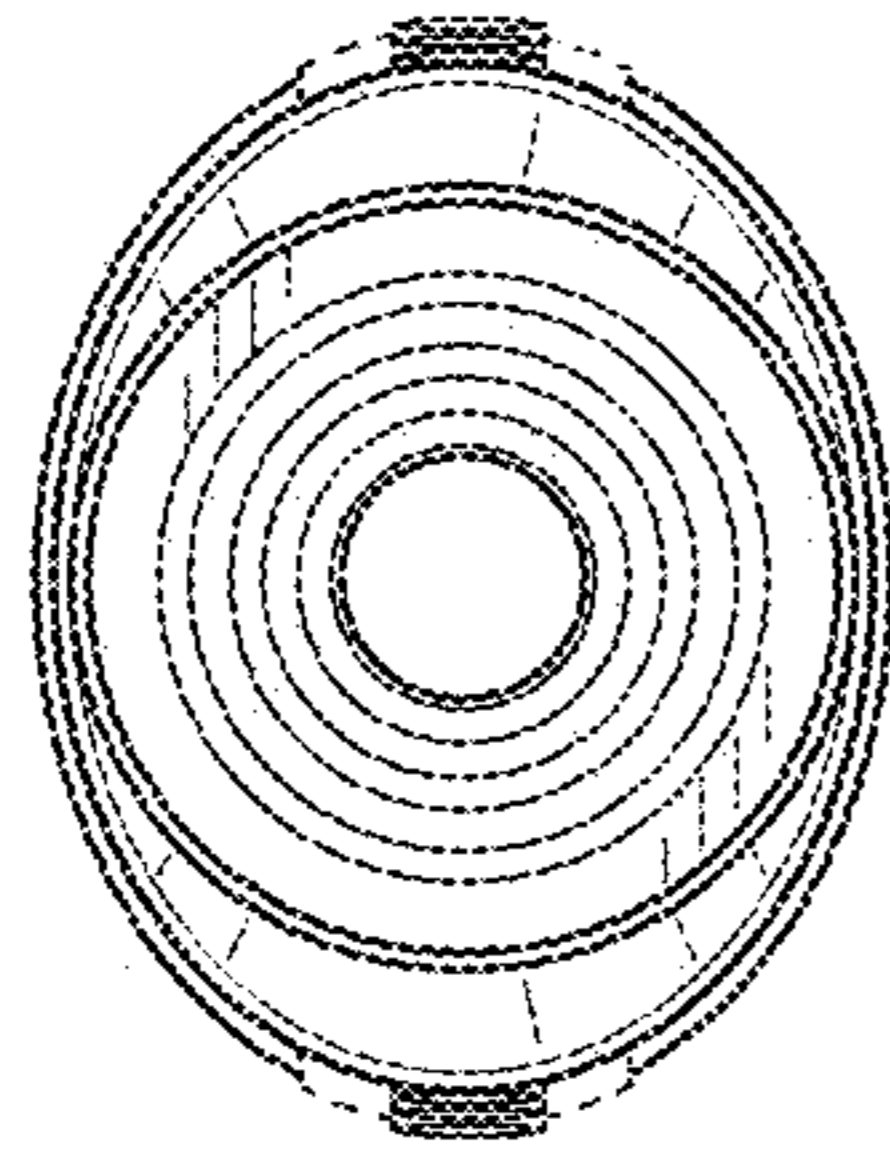


FIG. 5

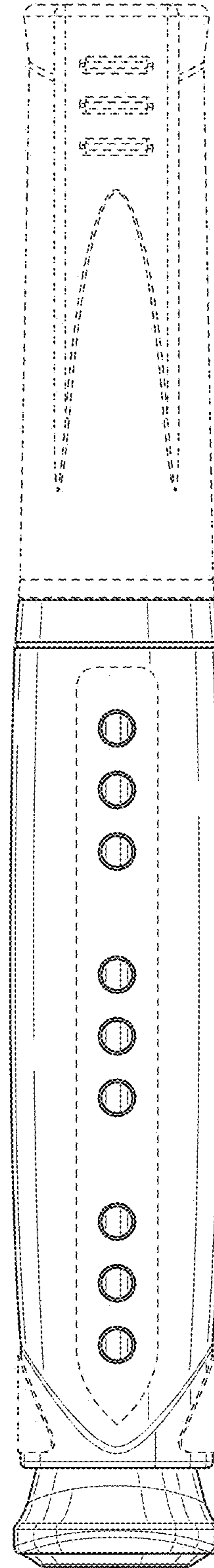


FIG. 6

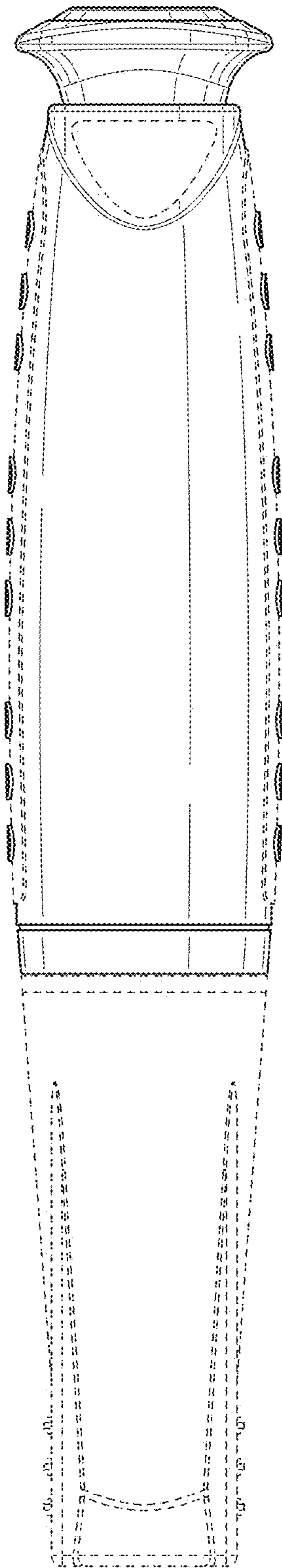


FIG. 7

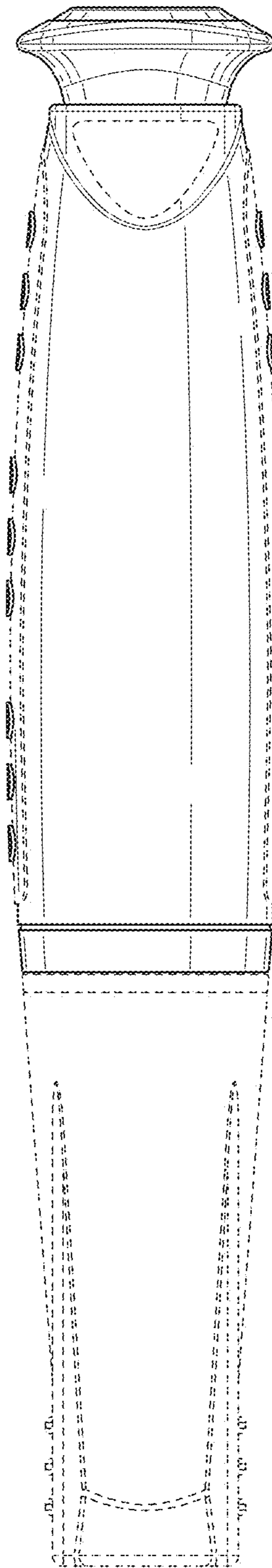


FIG. 8