



US00D895104S

(12) **United States Design Patent**
Kelly et al.

(10) **Patent No.:** **US D895,104 S**
(45) **Date of Patent:** **** Sep. 1, 2020**

(54) **VISOR FOR HELMET RESPIRATOR**
(71) Applicant: **RPB Safety, LLC**, Royal Oak, MI (US)
(72) Inventors: **Samuel Kelly**, Halswell (NZ); **Ryan Whitwood**, Royal Oak, MI (US)

D830,003 S * 10/2018 Wu D29/110
D834,759 S * 11/2018 Berggren D29/122
D834,760 S * 11/2018 Berggren D29/122
D841,893 S * 2/2019 Bastman D29/110
D848,077 S * 5/2019 Rosca D29/122
D860,546 S * 9/2019 Rosca D29/110
2020/0068979 A1* 3/2020 Muske A42B 3/044

(73) Assignee: **RPB SAFETY, LLC**, Royal Oak, MI (US)

FOREIGN PATENT DOCUMENTS

(**) Term: **15 Years**

EM 006264297-0001 * 3/2019
EM 006264776-0001 * 3/2019

(21) Appl. No.: **29/662,112**

OTHER PUBLICATIONS

(22) Filed: **Sep. 1, 2018**

RPB Fabrication Range. Catalog. Date published: 2018. Retrieved from Internet: <https://www.rpbsafety.com/wp-content/uploads/2016/01/RPB-Fabrication-Industry-Brochure-R5.pdf> (Year: 2018).*

(51) **LOC (12) Cl.** **29-02**

(52) **U.S. Cl.**
USPC **D24/110.2**; D29/110; D29/122

* cited by examiner

(58) **Field of Classification Search**
USPC D24/110.1–110.4, 127, 162, 164, 110;
D29/102, 107, 108, 110, 129
CPC A63B 18/006; A63B 7/10; A63B 18/045;
A63B 18/08; A63B 18/04; A63B 18/02;
A63B 18/00; A63B 23/025; A63B 18/025;
A63B 23/02; A63B 17/04; A63B 18/082;
A42B 3/288; A42B 3/225; A42B 3/286;
A61M 16/06; A61M 16/0622

Primary Examiner — Lilyana Bekic
(74) *Attorney, Agent, or Firm* — William H. Honaker;
Dickinson Wright PLLC

See application file for complete search history.

(57) **CLAIM**

The ornamental design for a visor for helmet respirator, as shown and described.

(56) **References Cited**

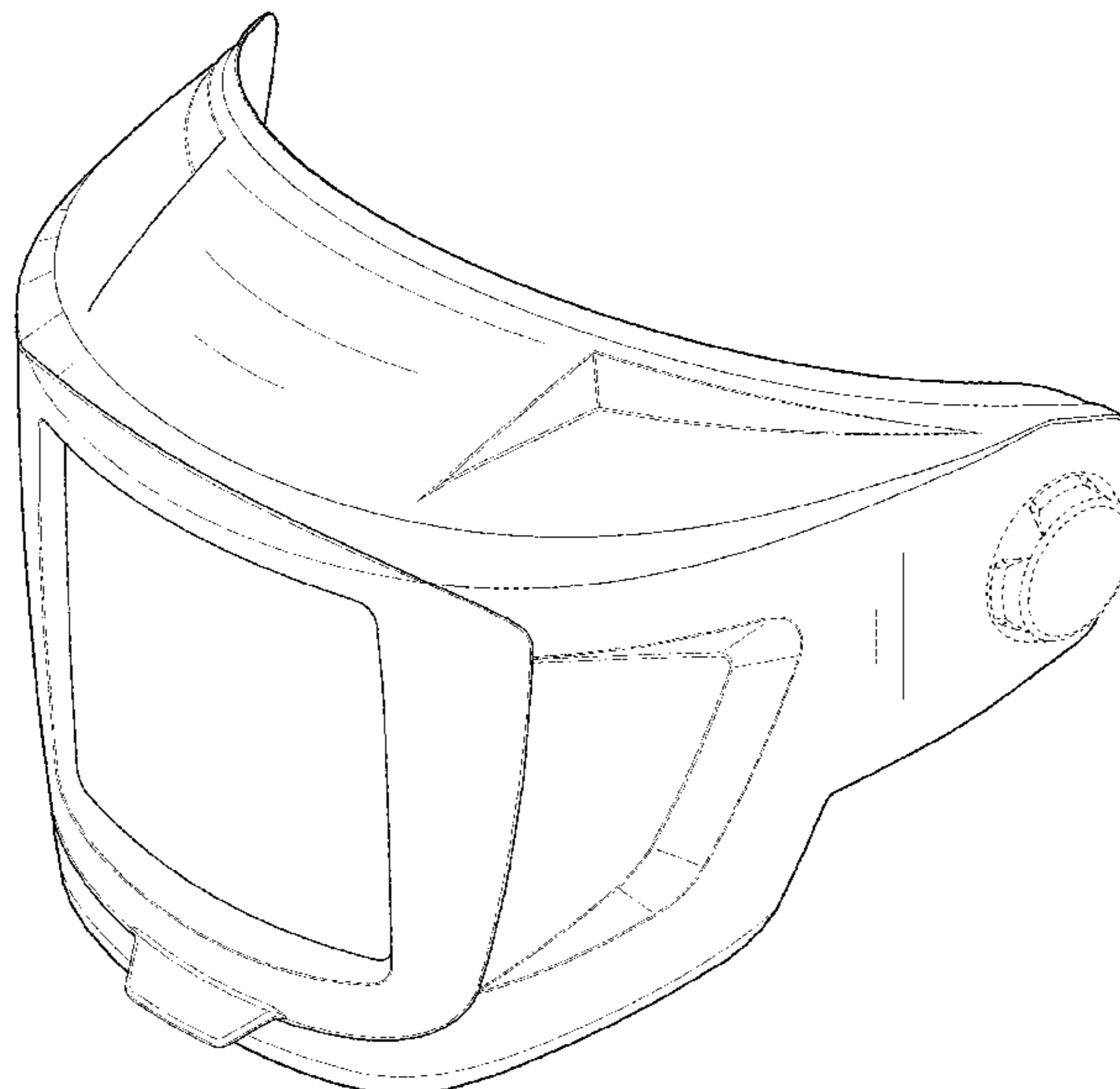
DESCRIPTION

U.S. PATENT DOCUMENTS

D398,421 S * 9/1998 Crafoord D29/110
D584,003 S * 12/2008 Juhlin D29/110
D585,604 S * 1/2009 Martin D29/110
D586,956 S * 2/2009 Huh D29/110
D594,600 S * 6/2009 Huh D29/110
D640,012 S * 6/2011 Marin D29/110
D668,327 S * 10/2012 Sumner D24/110.2
D788,991 S * 6/2017 Whitwood D29/110
D789,614 S * 6/2017 Huh D29/110
D796,118 S * 8/2017 Yang D29/110

FIG. 1 is a perspective view of the visor for helmet respirator showing our new design.
FIG. 2 is a front view thereof.
FIG. 3 is a left side view thereof.
FIG. 4 is a right side view thereof.
FIG. 5 is a top view thereof.
FIG. 6 is a rear view thereof; and,
FIG. 7 is a bottom view thereof.
The broken lines in the drawings depict portions of the visor for helmet respirator that form no part of the claimed design.

1 Claim, 7 Drawing Sheets



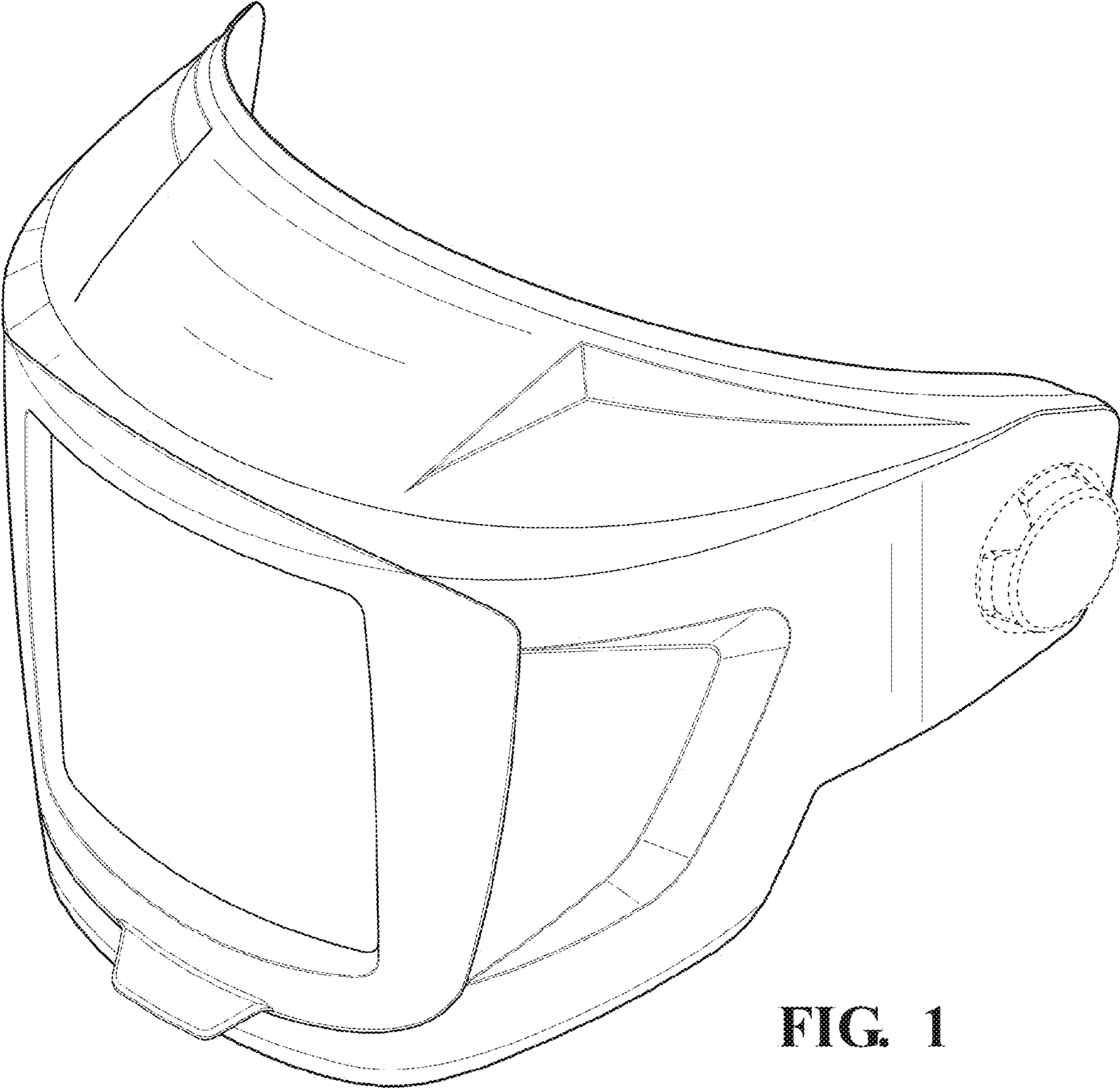


FIG. 1

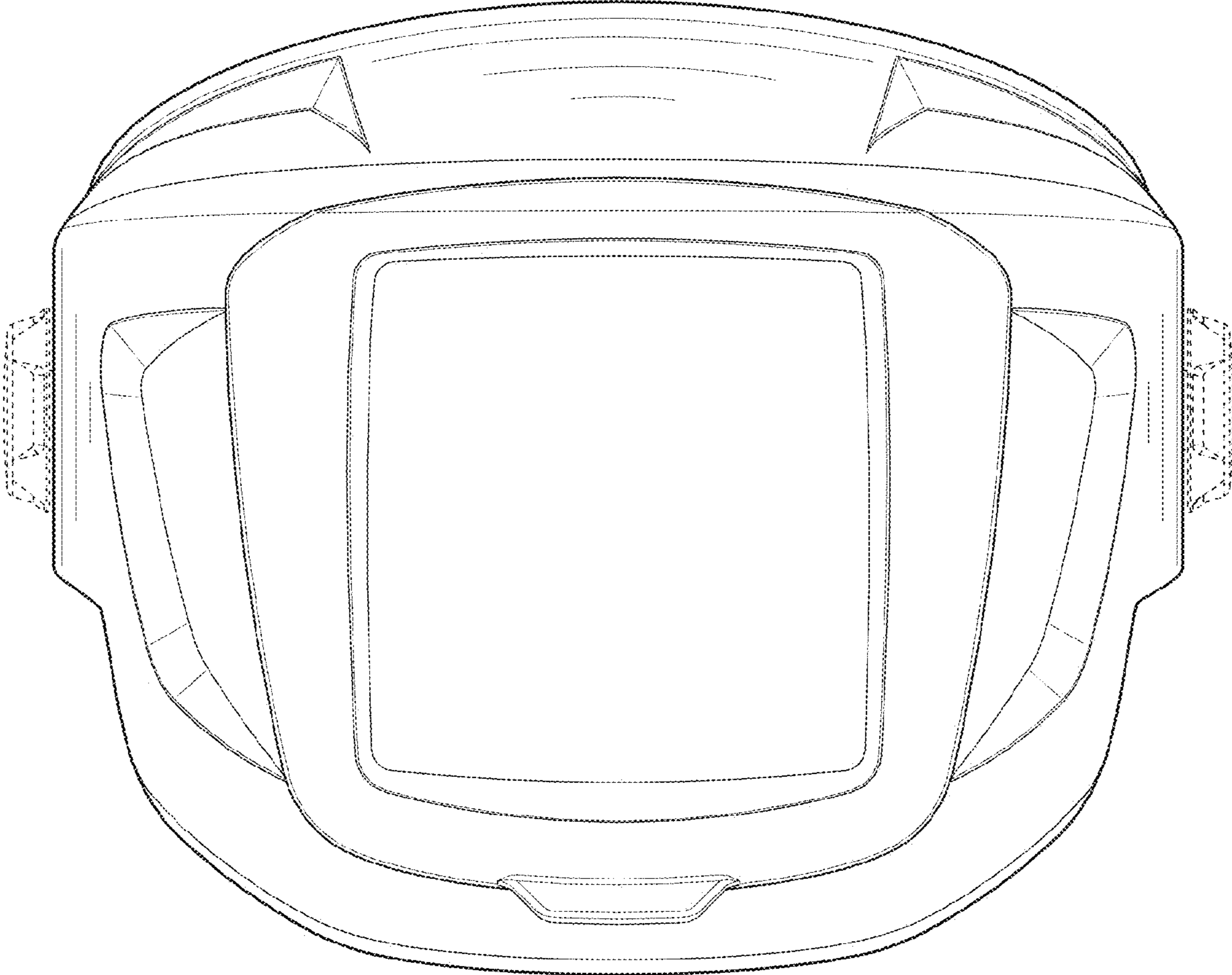


FIG. 2

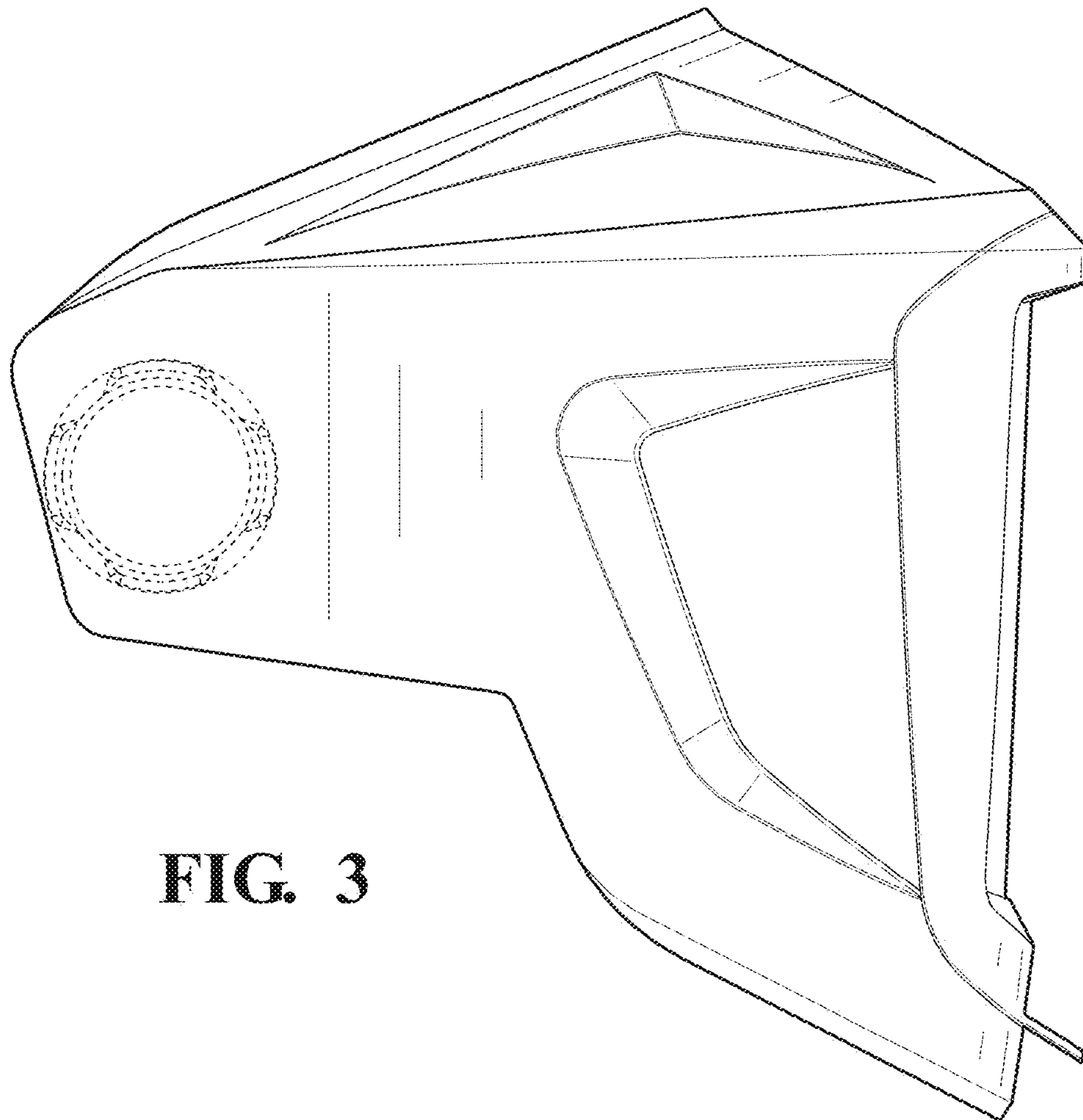


FIG. 3

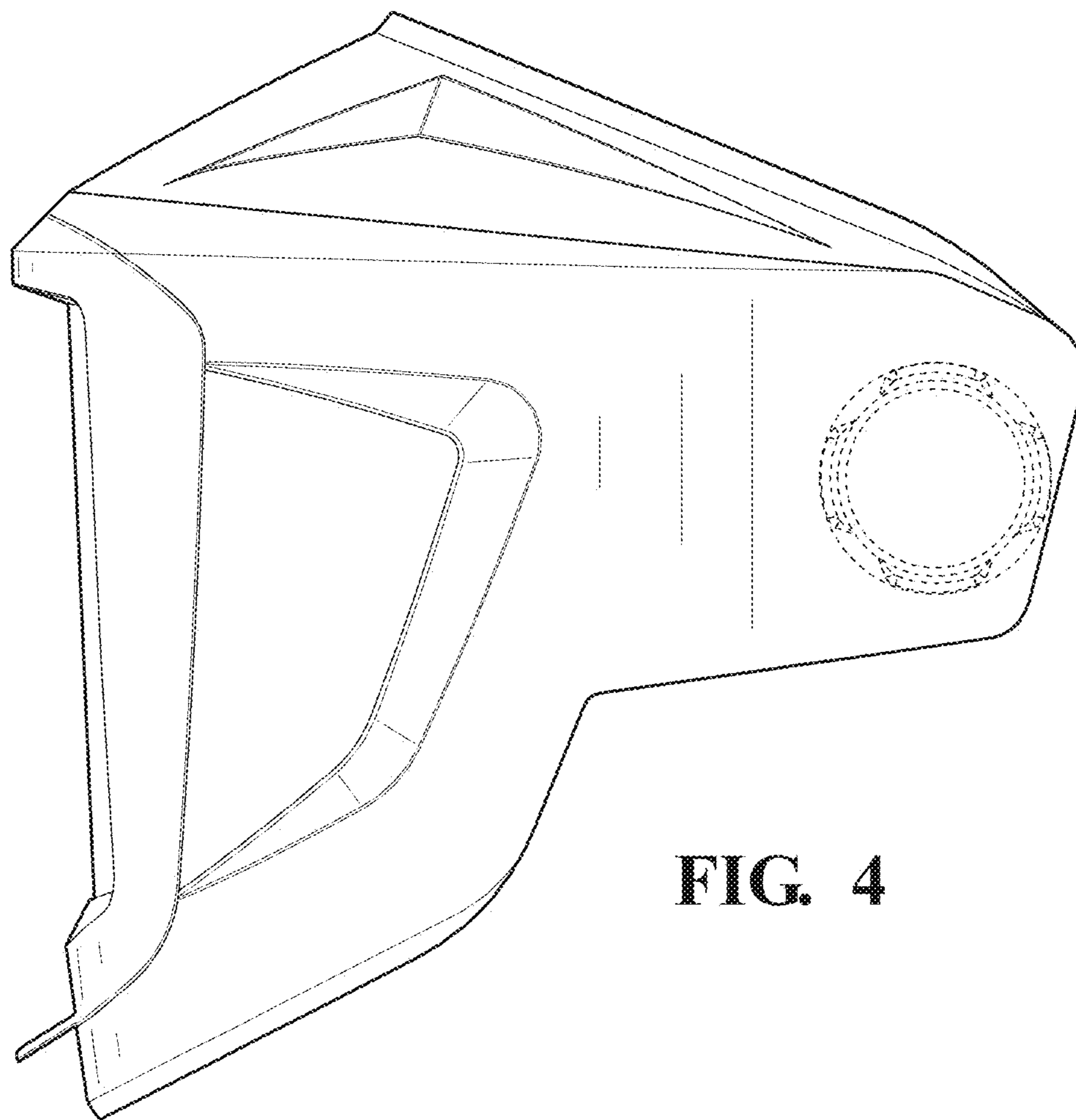


FIG. 4

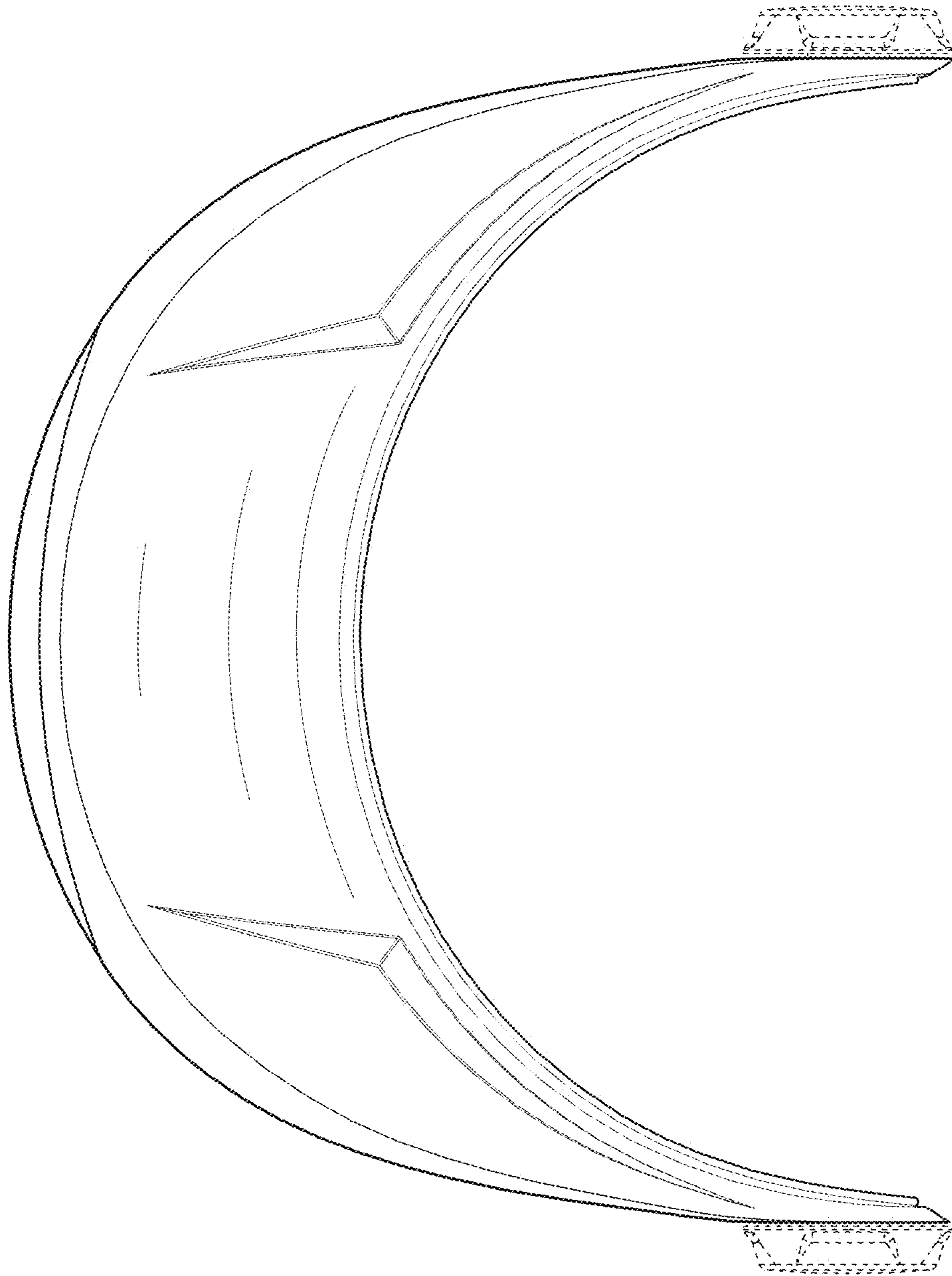


FIG. 5

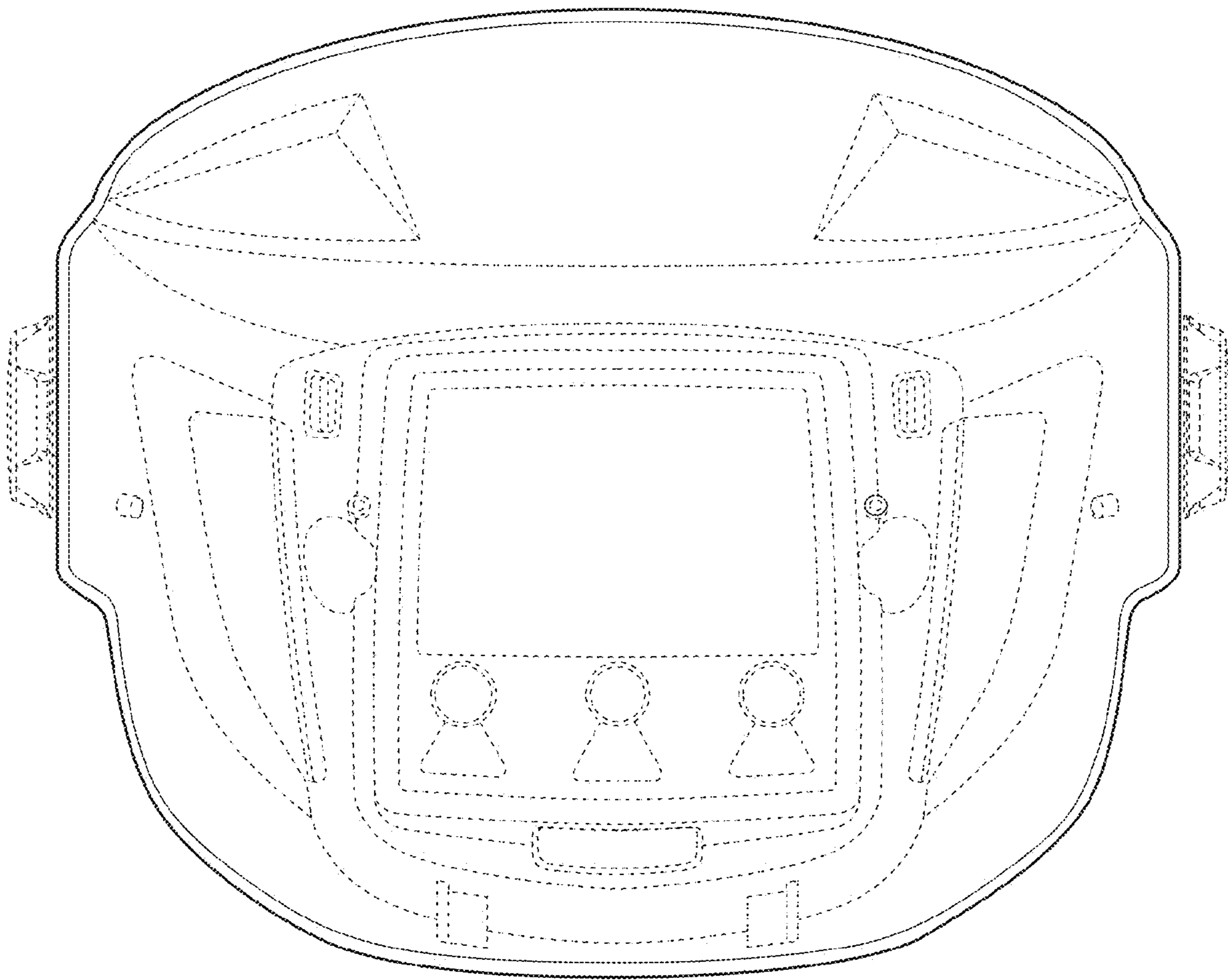


FIG. 6

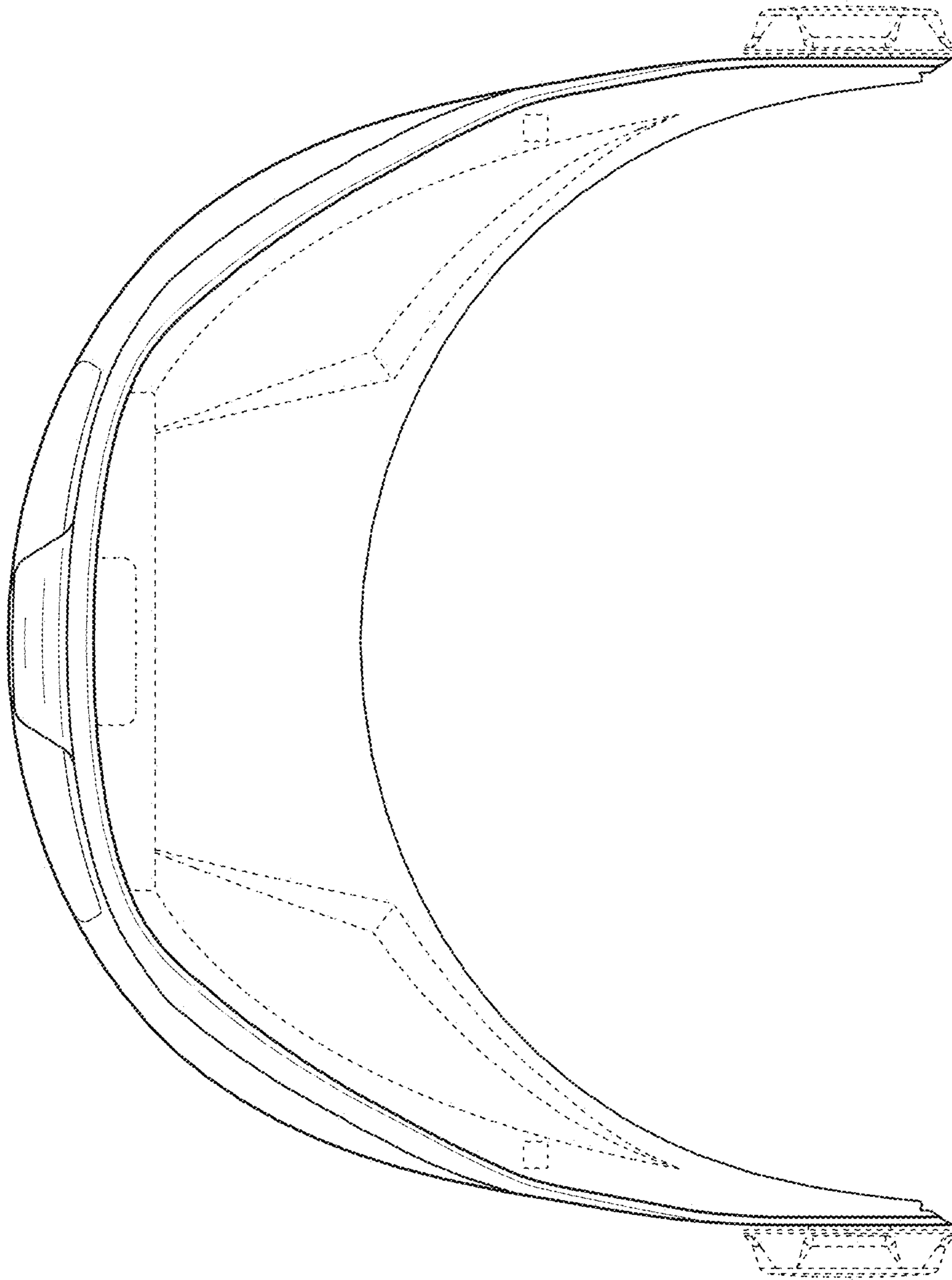


FIG. 7