



US00D895103S

(12) **United States Design Patent** (10) **Patent No.:** **US D895,103 S**  
**Dantanarayana et al.** (45) **Date of Patent:** **\*\* Sep. 1, 2020**

(54) **COMBINATION RESPIRATORY MASK AND HEAT AND MOISTURE EXCHANGER UNIT**

(71) Applicant: **ResMed Pty Ltd**, Bella Vista, New South Wales (AU)

(72) Inventors: **Muditha Pradeep Dantanarayana**, Sydney (AU); **Charles Harry Finch**, Sydney (AU); **Chia Ik Tan**, Sydney (AU); **Stewart Joseph Wagner**, Hawkesbury (AU)

(73) Assignee: **ResMed Pty Ltd**, Bella Vist (AU)

(\*\*) Term: **15 Years**

(21) Appl. No.: **29/666,398**

(22) Filed: **Oct. 12, 2018**

**Related U.S. Application Data**

(62) Division of application No. 29/585,943, filed on Nov. 30, 2016, now Pat. No. Des. 882,757.

(51) **LOC (12) Cl.** ..... **29-02**

(52) **U.S. Cl.**  
USPC ..... **D24/110.1**

(58) **Field of Classification Search**  
USPC ..... D24/110–110.6, 127, 129; D29/110  
(Continued)

(56) **References Cited**

**U.S. PATENT DOCUMENTS**

D586,907 S 2/2009 Judson  
D623,288 S 9/2010 Lubke  
(Continued)

**OTHER PUBLICATIONS**

Dantanarayana et al., U.S. Appl. No. 29/585,943, filed Nov. 30, 2016 for “Respiratory Mask and/or Components Thereof,” (parent application).

*Primary Examiner* — Sheryl Lane

*Assistant Examiner* — Aula Soroush

(74) *Attorney, Agent, or Firm* — Nixon & Vanderhye P.C.

(57) **CLAIM**

The ornamental design for a combination respiratory mask and heat and moisture exchanger unit, as shown and described.

**DESCRIPTION**

FIG. 1 is a front perspective view of a combination respiratory mask and heat and moisture exchanger unit showing a first embodiment of our new design;

FIG. 2 is a front view thereof;

FIG. 3 is a rear view thereof;

FIG. 4 is a top view thereof;

FIG. 5 is a bottom view thereof;

FIG. 6 is a left side view thereof;

FIG. 7 is a right side view thereof;

FIG. 8 is a front perspective view of a combination respiratory mask and heat and moisture exchanger unit showing a second embodiment of our new design;

FIG. 9 is a front view thereof;

FIG. 10 is a rear view thereof;

FIG. 11 is a top view thereof;

FIG. 12 is a bottom view thereof;

FIG. 13 is a left side view thereof;

FIG. 14 is a right side view thereof;

FIG. 15 is a front perspective view of a combination respiratory mask and heat and moisture exchanger unit showing a third embodiment of our new design;

FIG. 16 is a front view thereof;

FIG. 17 is a rear view thereof;

FIG. 18 is a top view thereof;

FIG. 19 is a bottom view thereof;

FIG. 20 is a left side view thereof;

FIG. 21 is a right side view thereof;

FIG. 22 is a front perspective view of a combination respiratory mask and heat and moisture exchanger unit showing a fourth embodiment of our new design;

FIG. 23 is a front view thereof;

FIG. 24 is a rear view thereof;

FIG. 25 is a top view thereof;

(Continued)

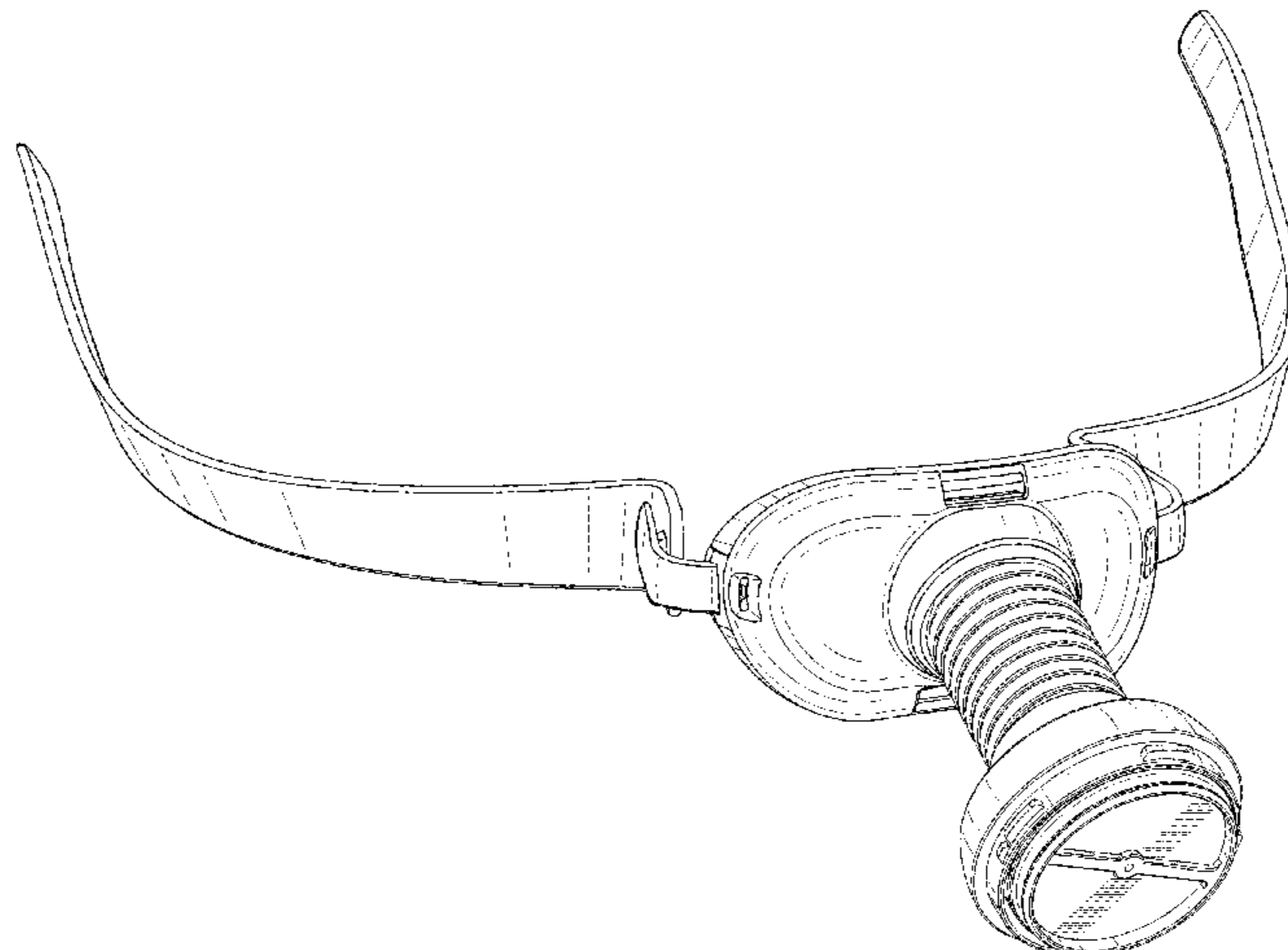


FIG. 26 is a bottom view thereof;  
 FIG. 27 is a left side view thereof; and,  
 FIG. 28 is a right side view thereof.  
 One or more views (e.g., bottom view) may not be shown as those views are unornamented or simply not claimed in a given embodiment.  
 The broken lines in the drawings depict portions of the combination respiratory mask and heat and moisture exchanger unit that form no part of the claimed design.

**1 Claim, 20 Drawing Sheets**

(58) **Field of Classification Search**

CPC ..... A61M 16/0616; A61M 16/0633; A61M 16/06; A61M 16/0666; A61M 16/0683; A61M 16/0605; A61M 16/0622; A61M 16/0644; A61M 16/0875; A61M 16/0816; A61M 16/08; B63C 11/205; B63C 11/16; B63C 11/186; B63C 11/12

See application file for complete search history.

(56) **References Cited**

U.S. PATENT DOCUMENTS

D656,231 S 3/2012 Henry

D659,237 S	5/2012	Lubke	
D664,250 S	7/2012	Scheiner	
D691,712 S	10/2013	Judson	
D692,554 S	10/2013	Siew	
D704,329 S	5/2014	Collazo	
D708,736 S	7/2014	Judson	
D737,953 S	9/2015	Wells	
D740,935 S	10/2015	Cullen	
D743,535 S	11/2015	Wells	
D751,687 S	3/2016	Daly	
D757,252 S	5/2016	Von Moger	
D764,049 S	8/2016	Cullen	
D770,036 S	10/2016	Walls	
D771,238 S *	11/2016	Scheiner .....	D24/110.1
D787,661 S	5/2017	Edwards	
D787,662 S *	5/2017	Guney .....	D24/110.4
D794,772 S	8/2017	Cullen	
D805,630 S	12/2017	Formica	
D808,516 S *	1/2018	Edwards .....	D24/110.4
2005/0155604 A1 *	7/2005	Ging .....	A44B 11/266 128/206.21
2012/0090622 A1	4/2012	Chang	
2014/0000614 A1	1/2014	Chang	
2017/0000964 A1	1/2017	Shafer	
2017/0368285 A1	12/2017	Wood	
2018/0001044 A1	1/2018	Stephens	

\* cited by examiner

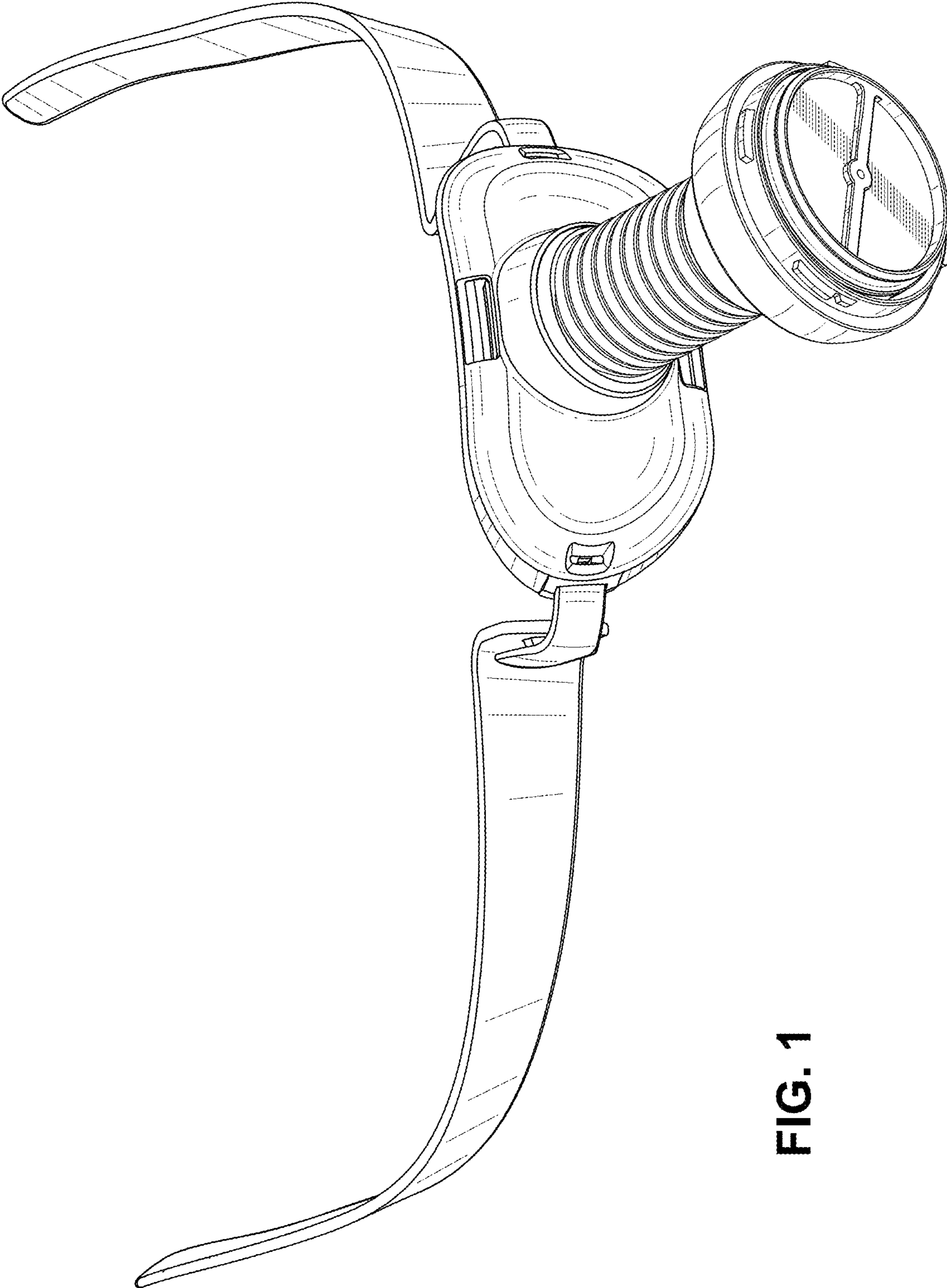
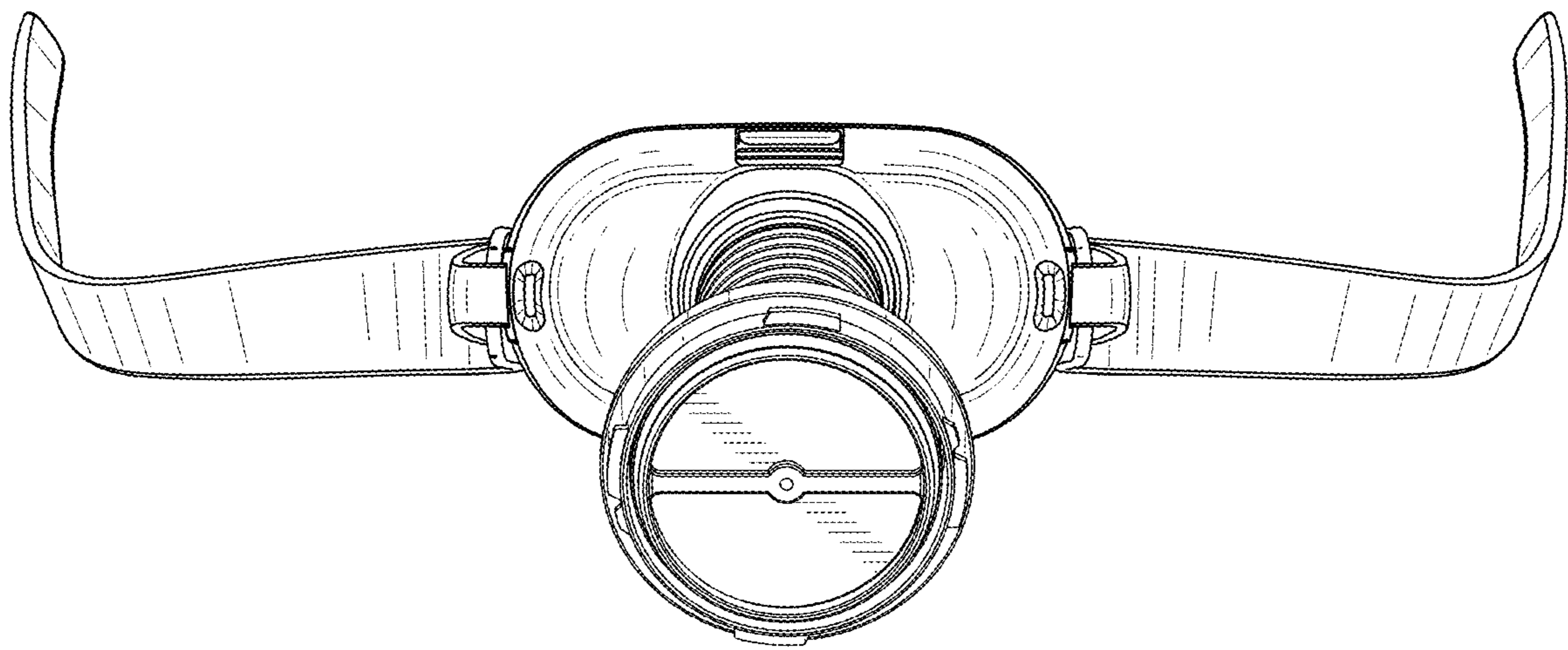
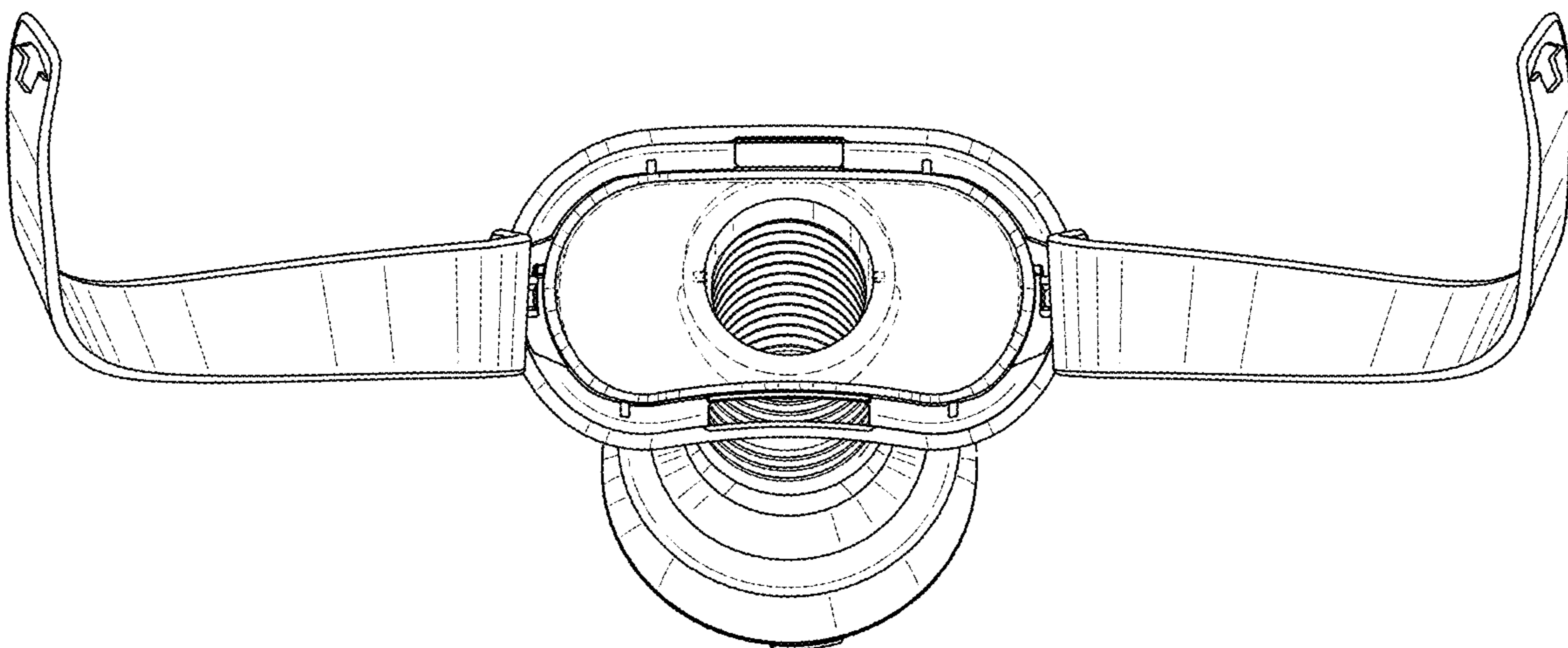


FIG. 1



**FIG. 2**



**FIG. 3**

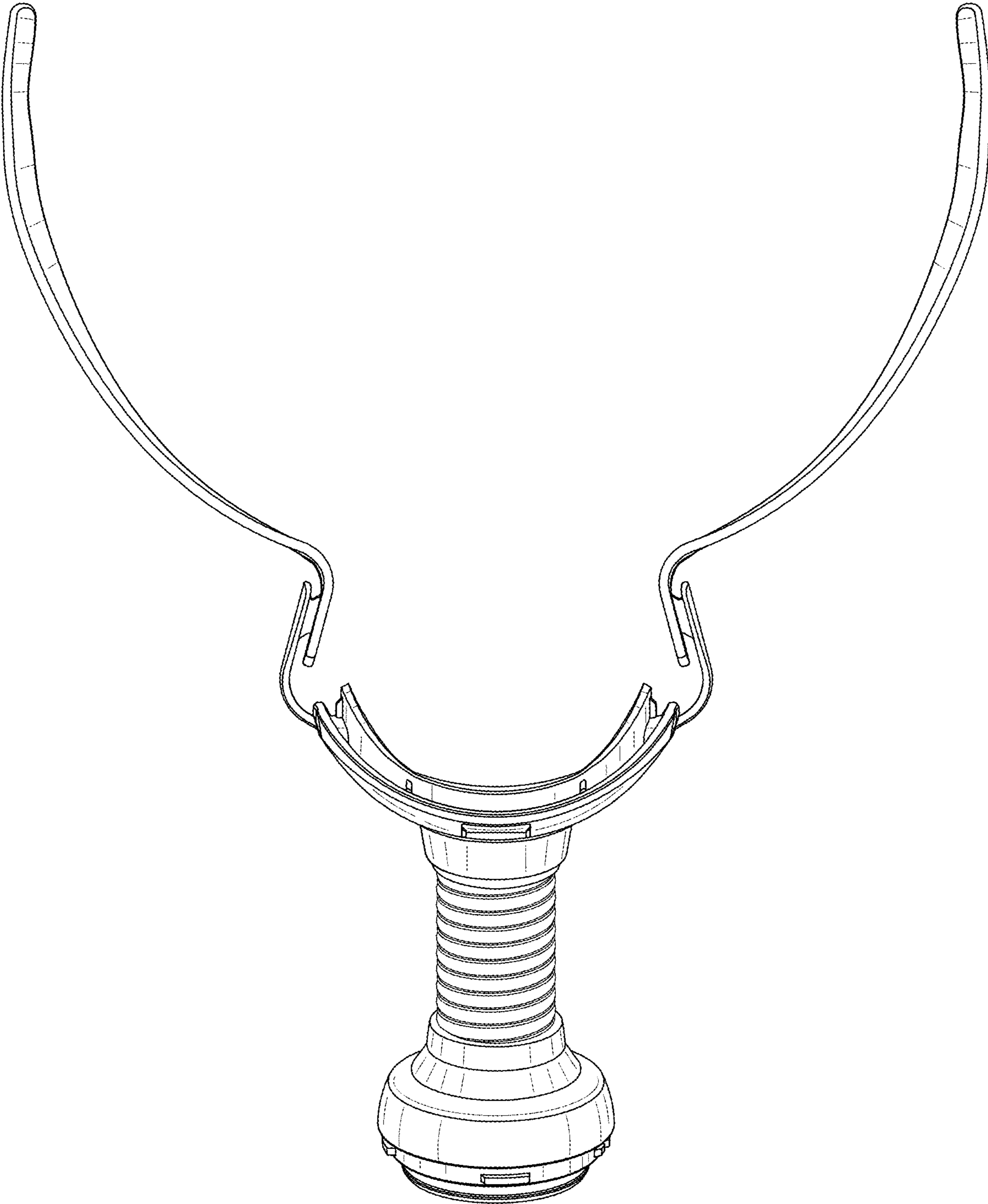


FIG. 4

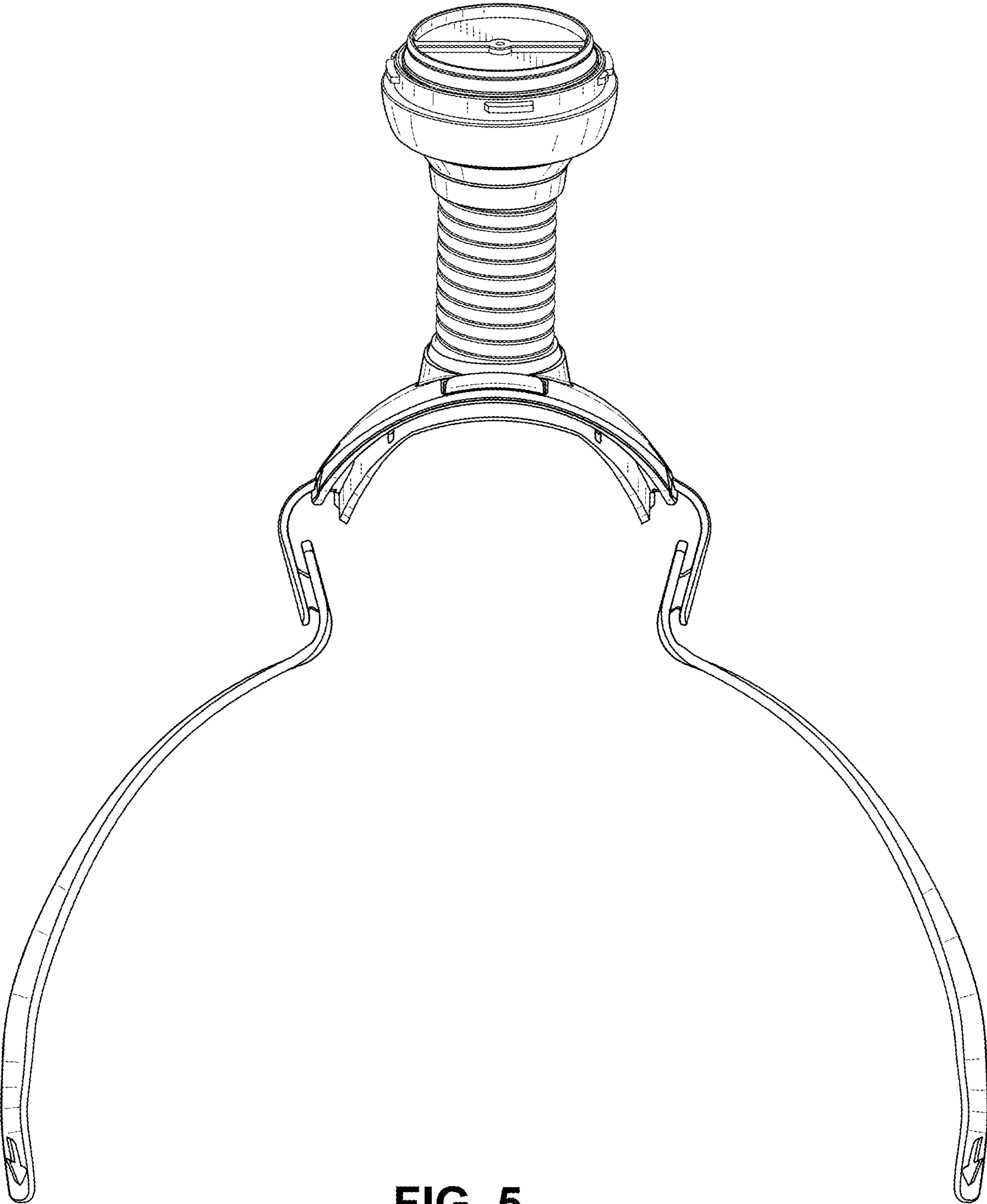


FIG. 5

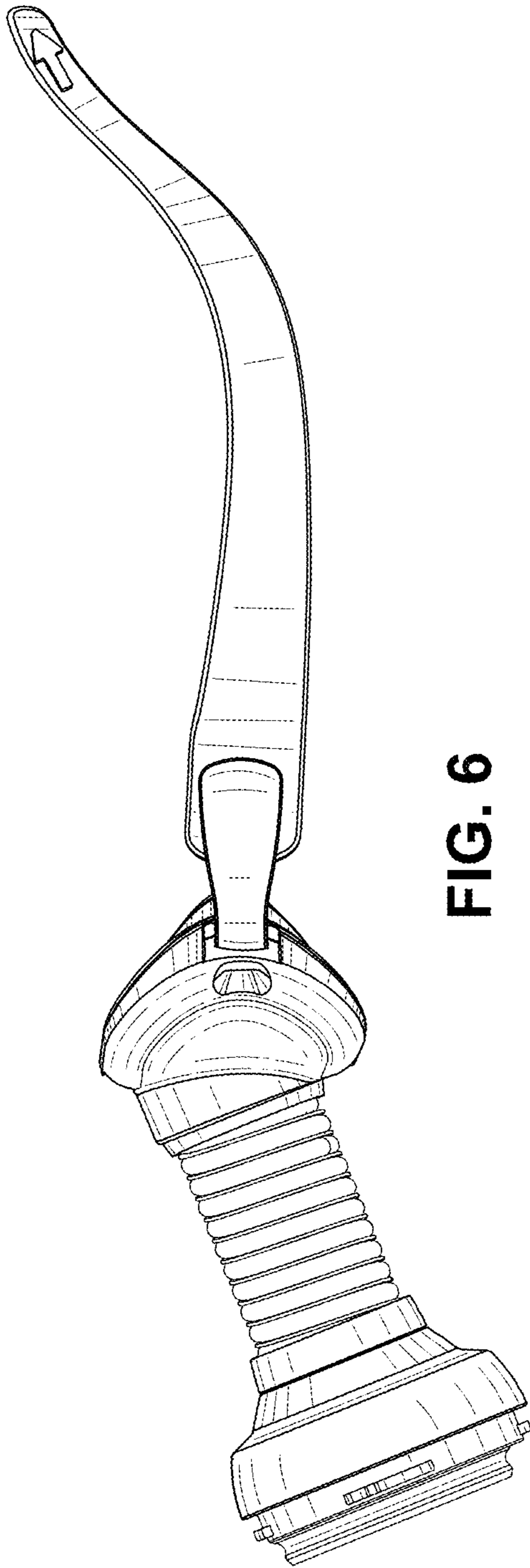


FIG. 6

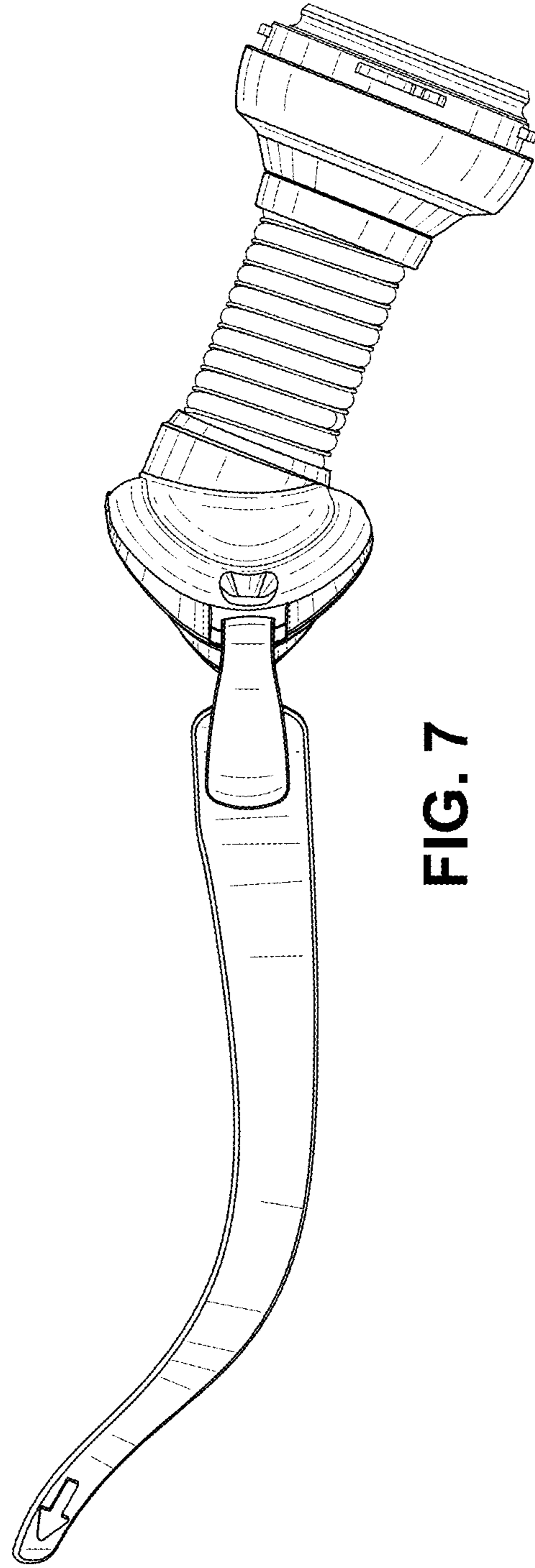


FIG. 7

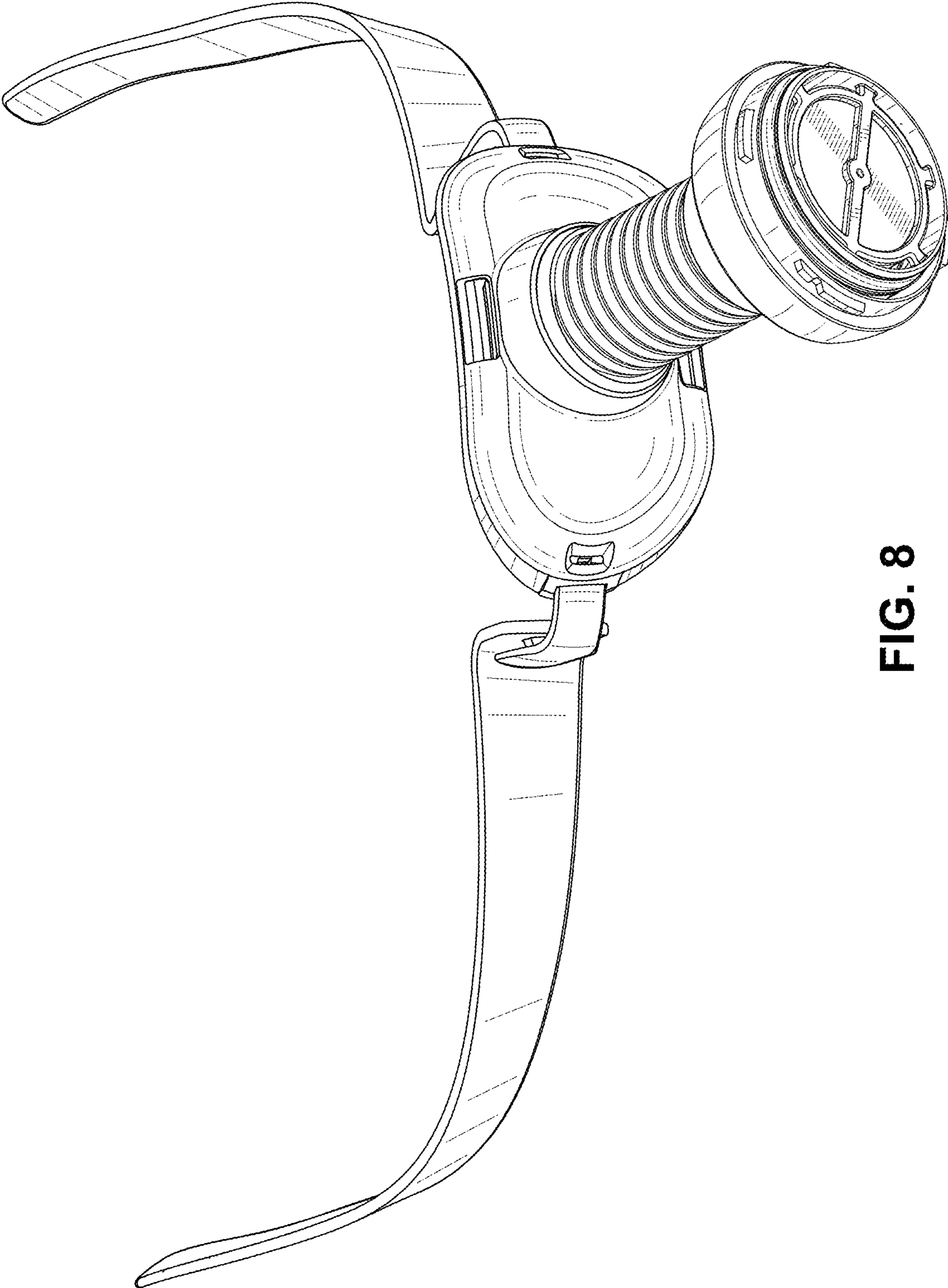
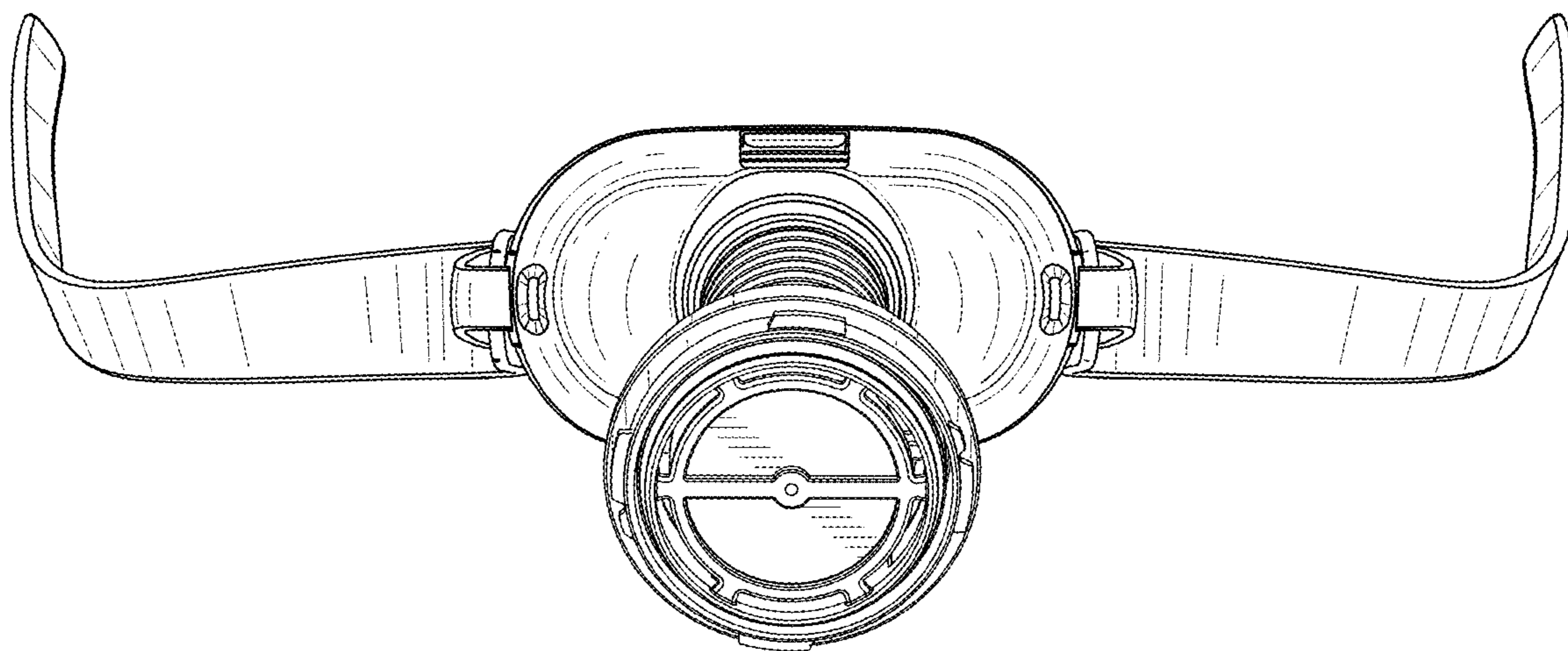
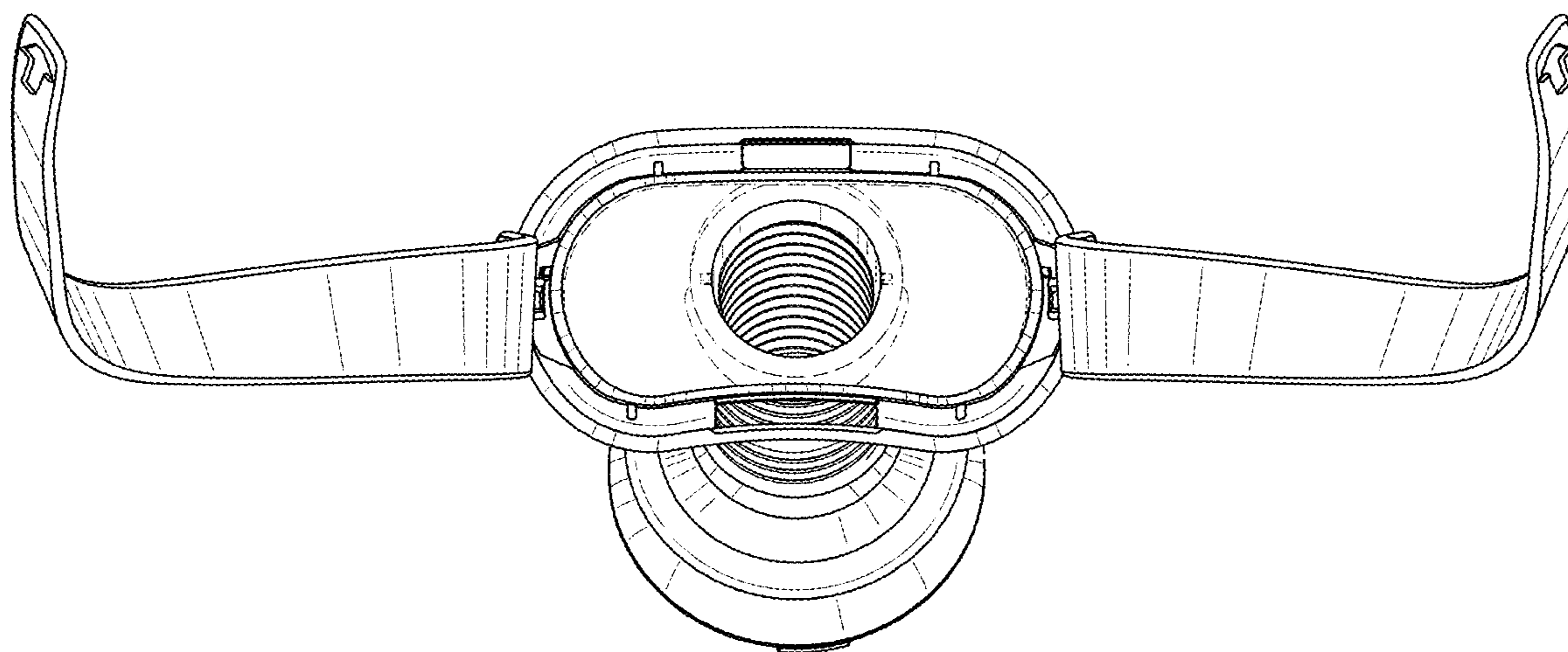


FIG. 8





**FIG. 9**



**FIG. 10**

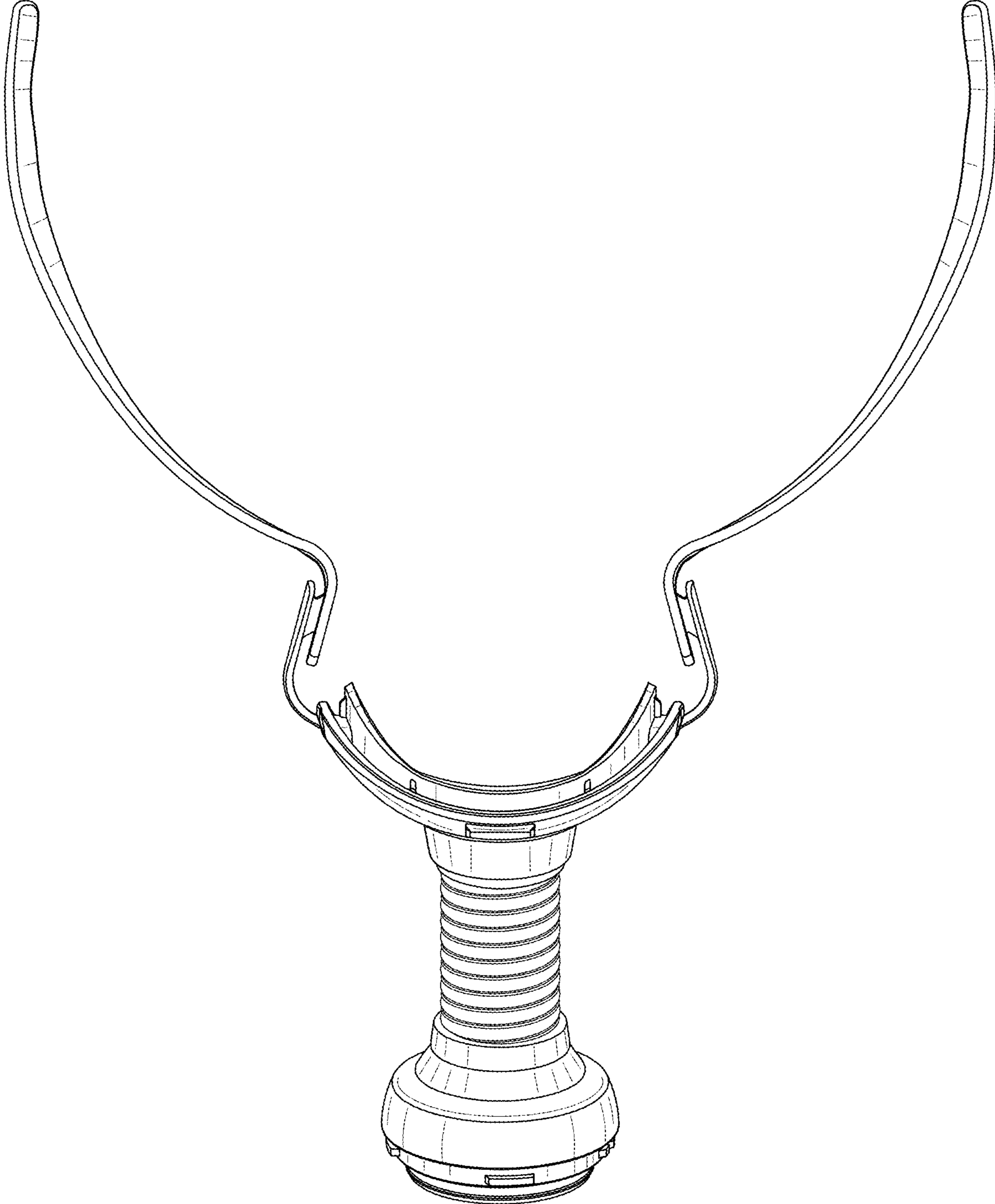


FIG. 11

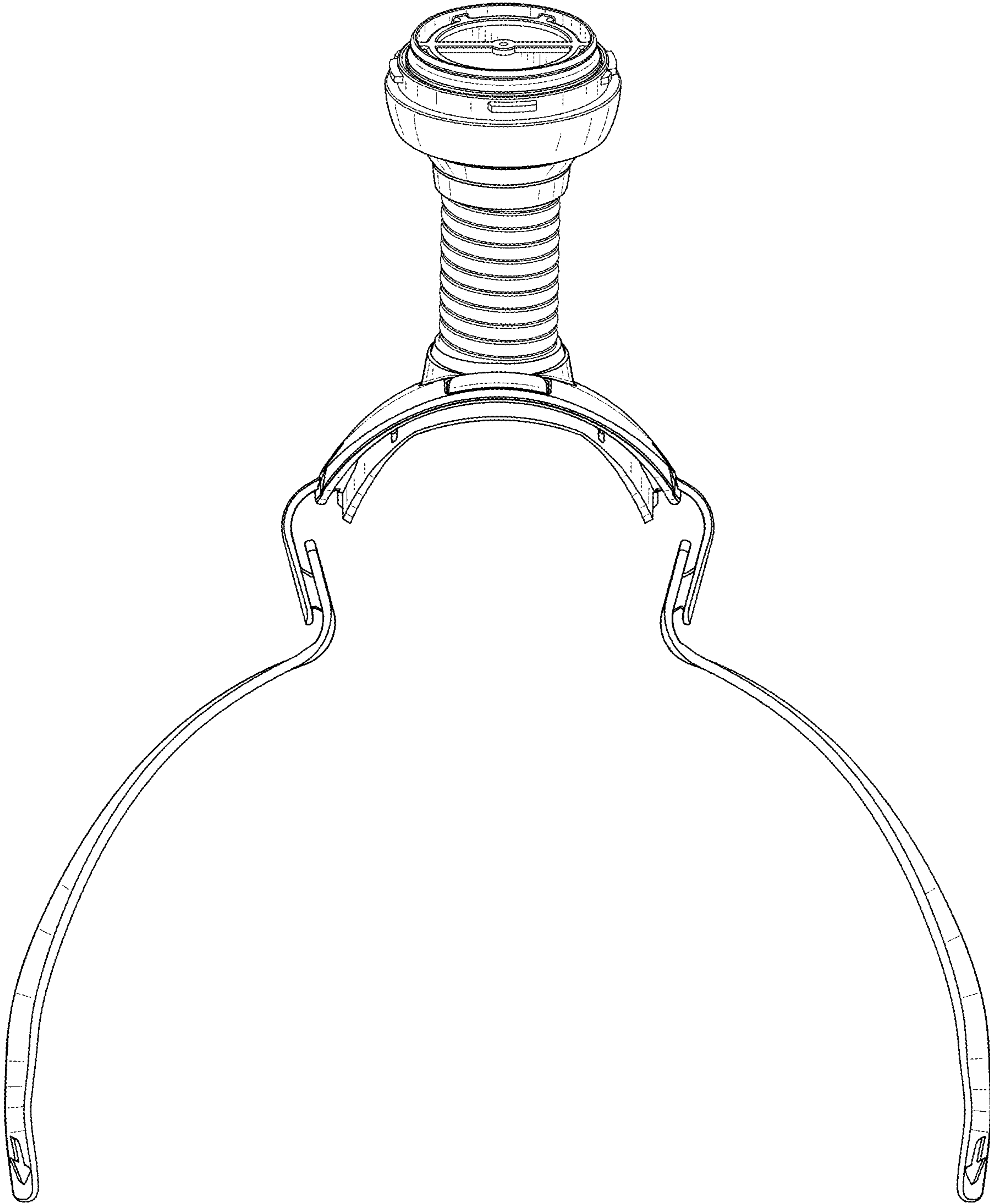


FIG. 12

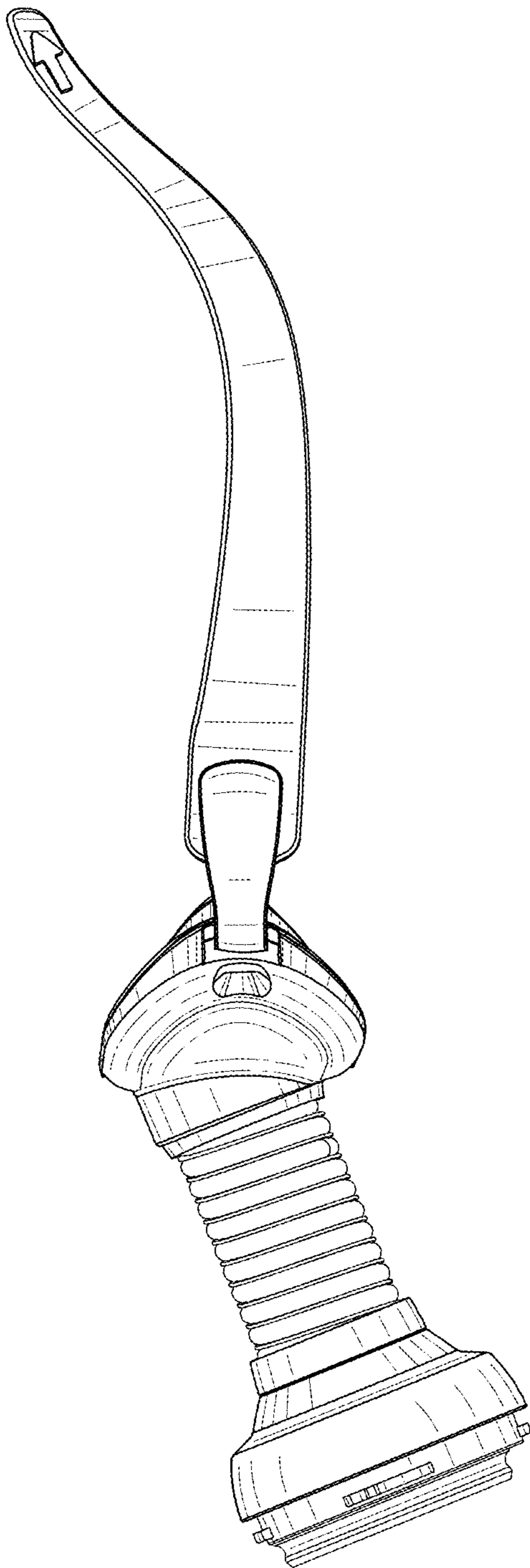


FIG. 13

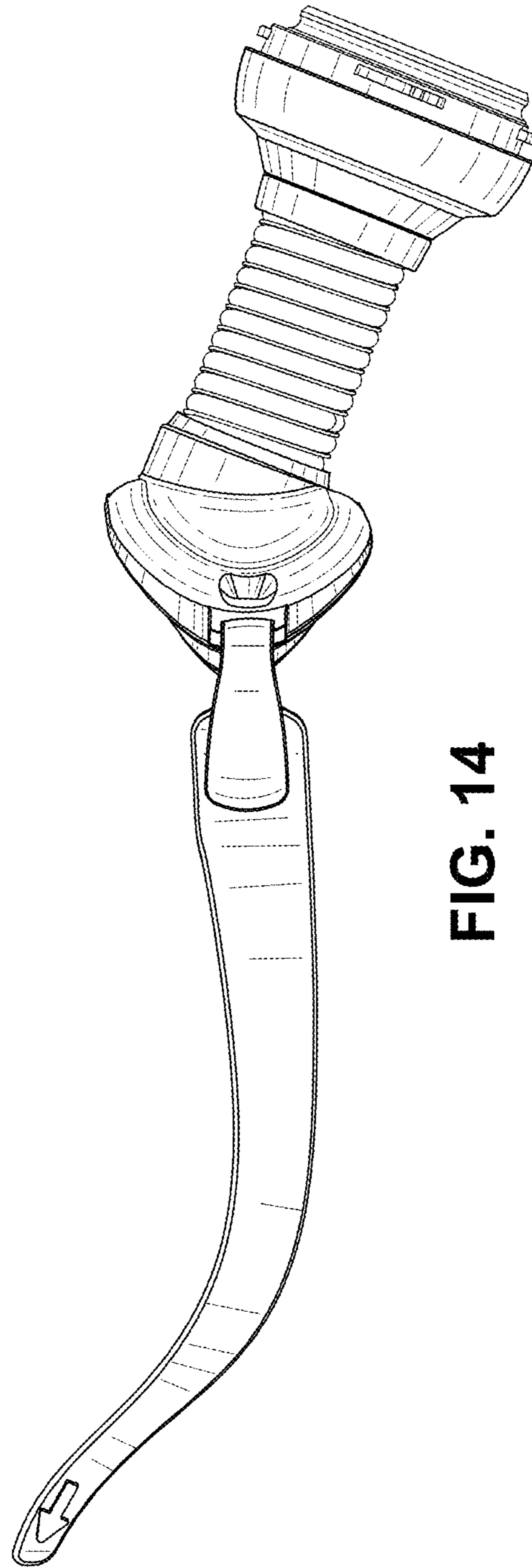


FIG. 14

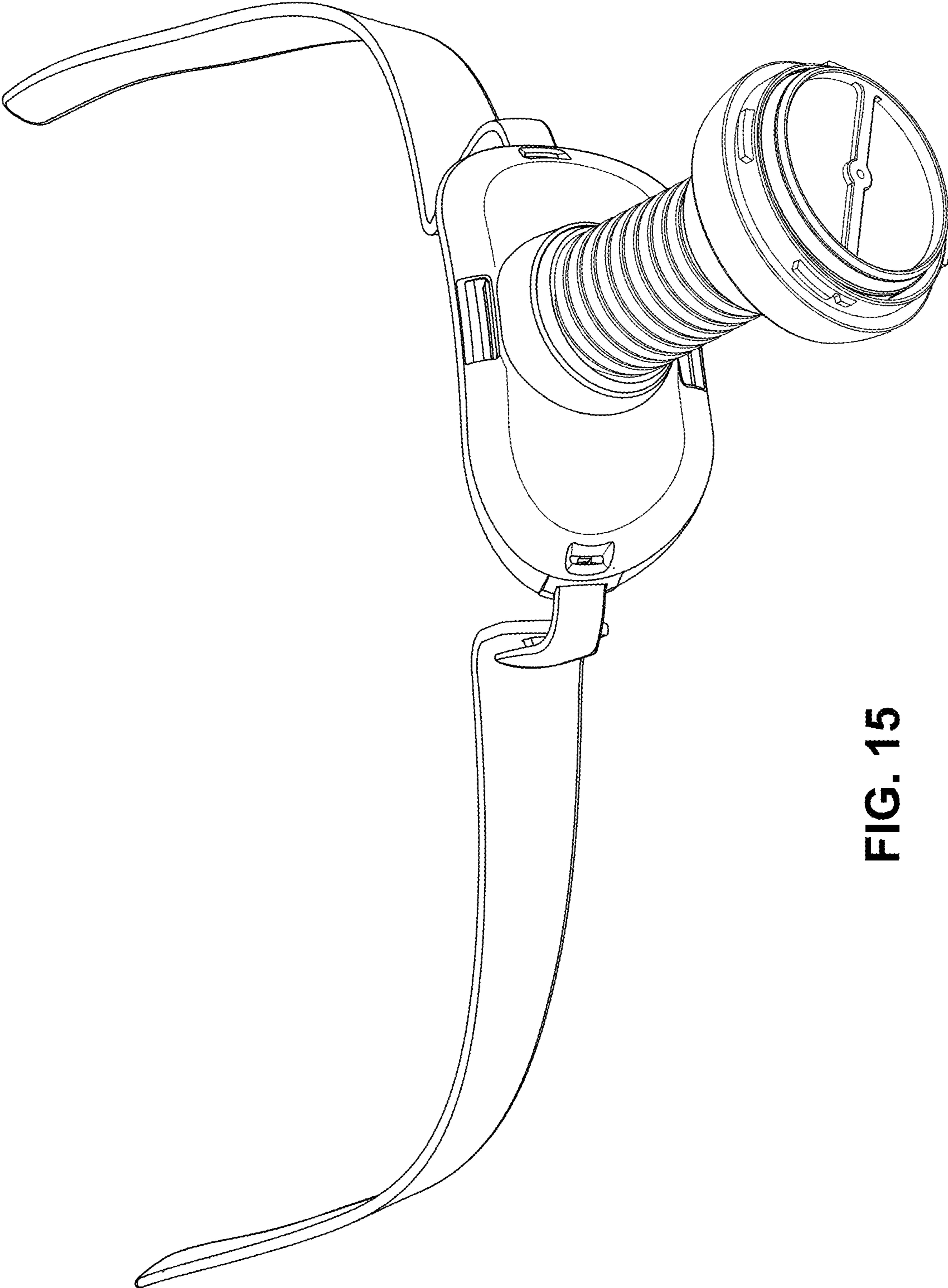
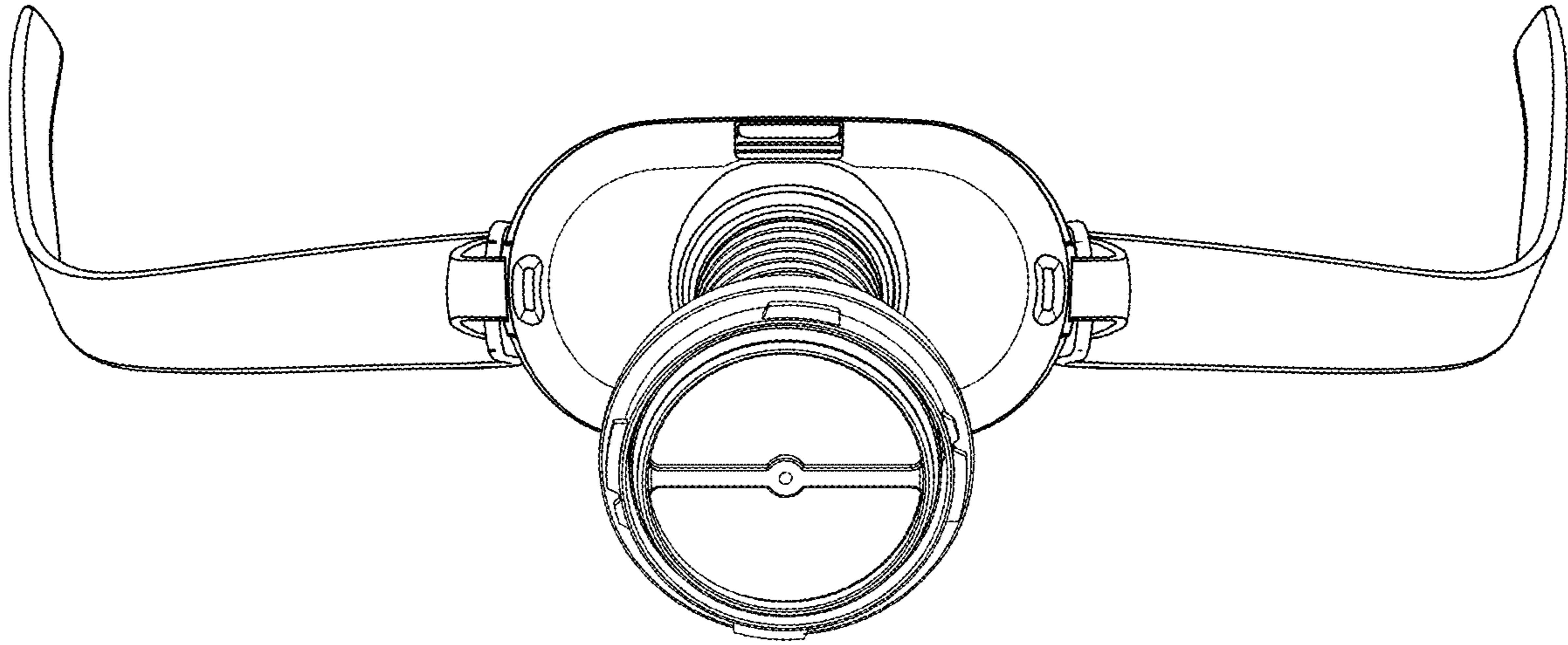
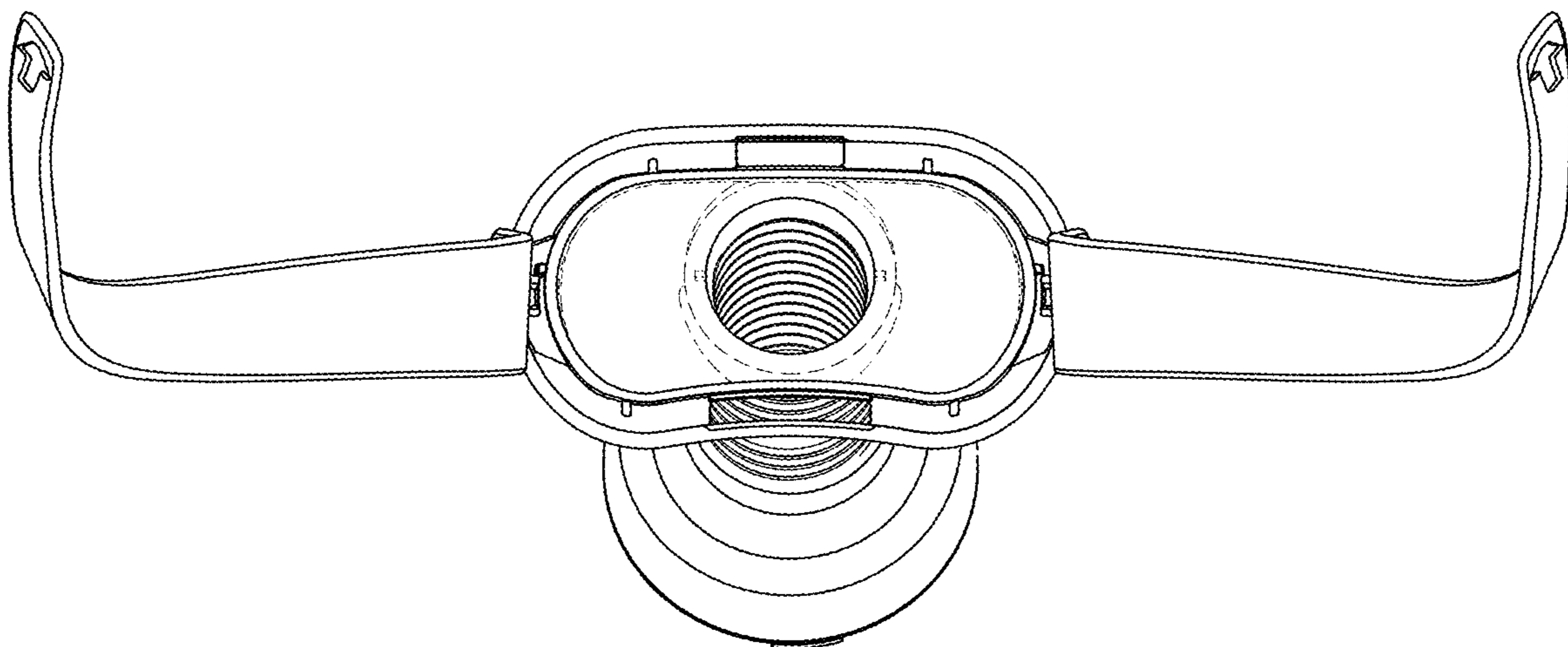


FIG. 15



**FIG. 16**



**FIG. 17**

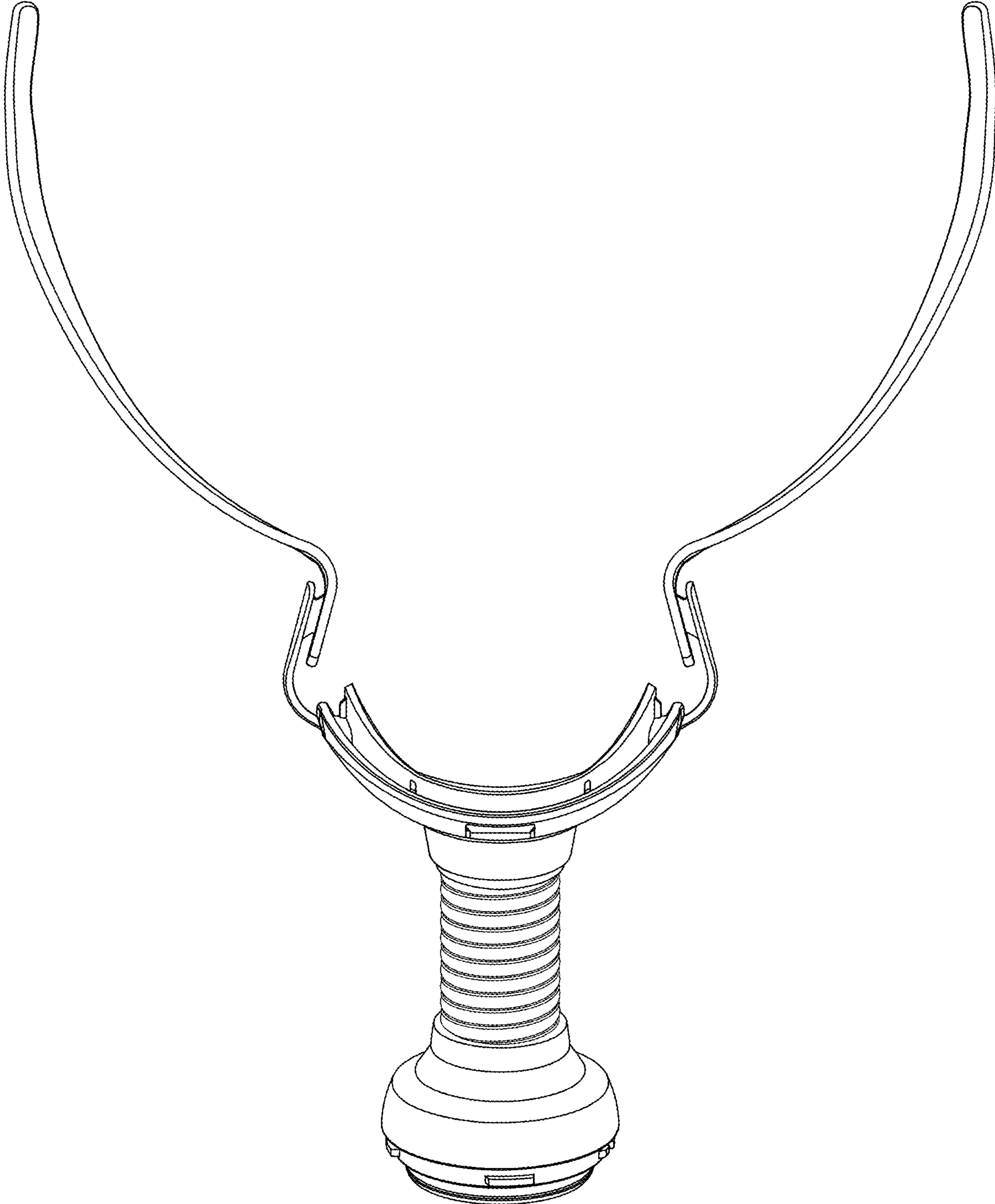
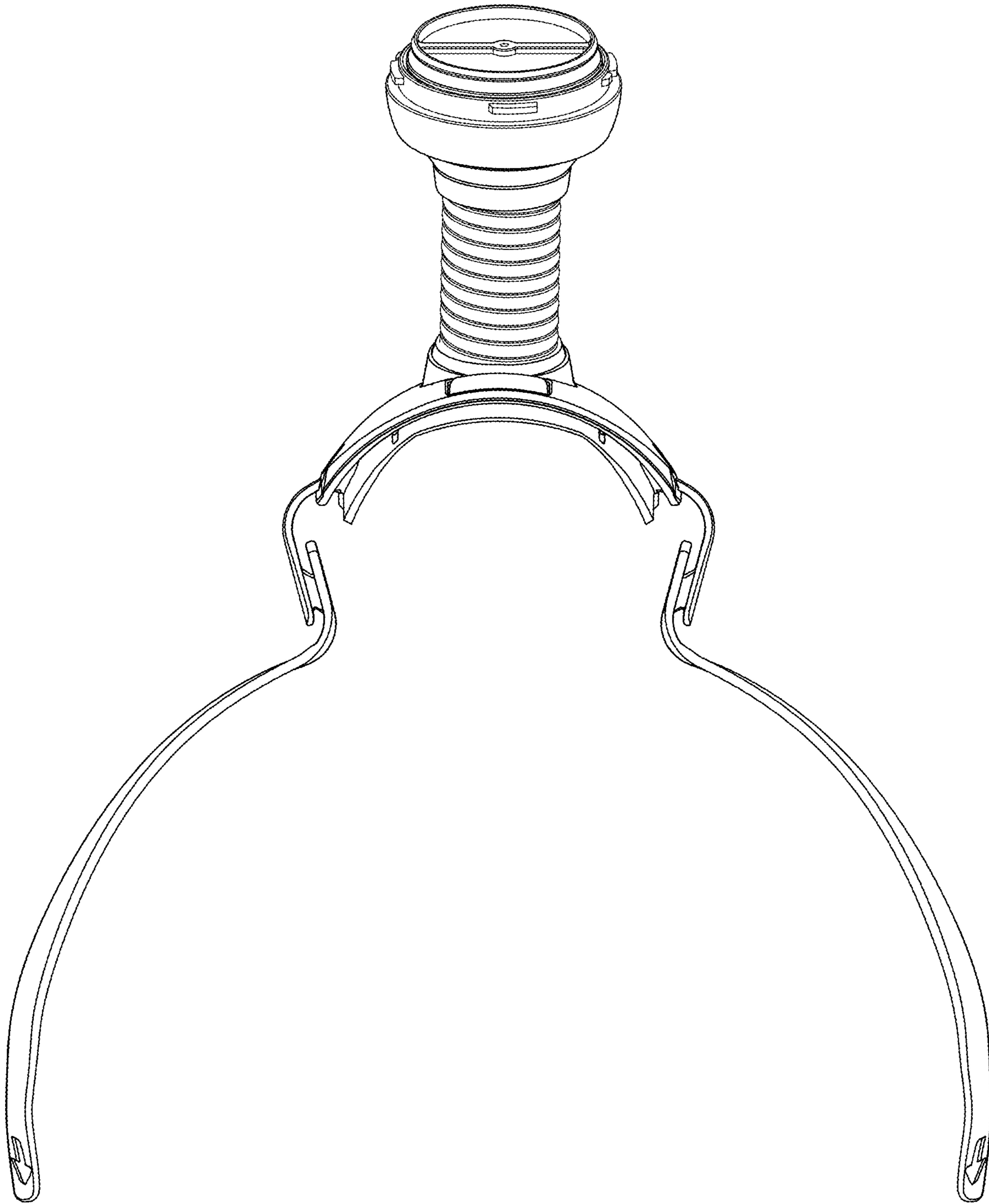


FIG. 18



**FIG. 19**



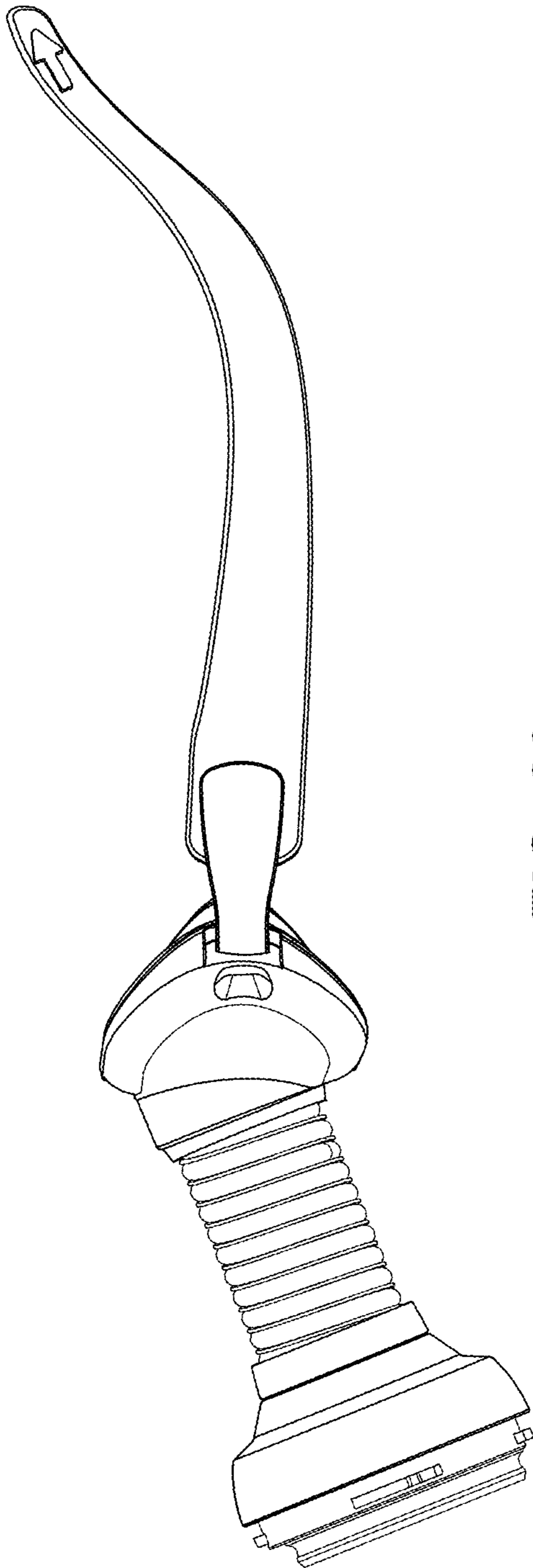


FIG. 20

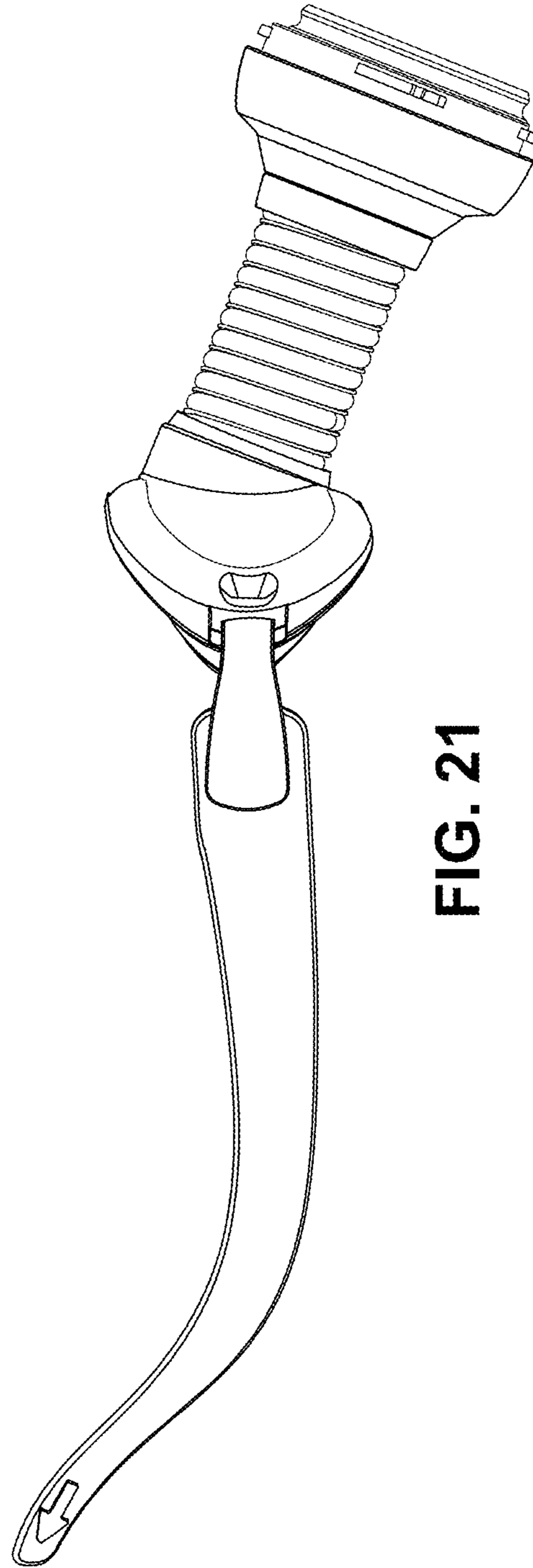


FIG. 21

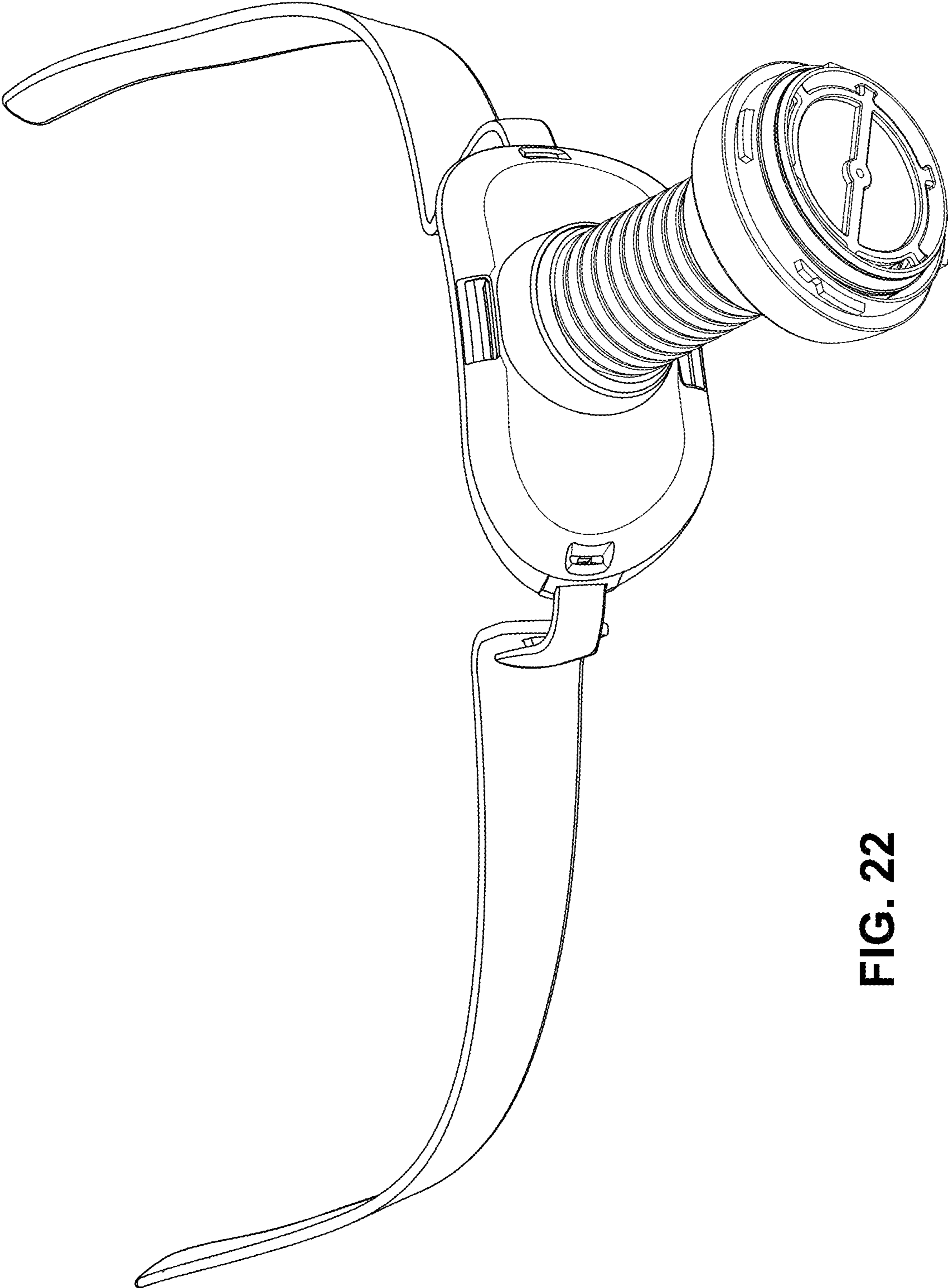
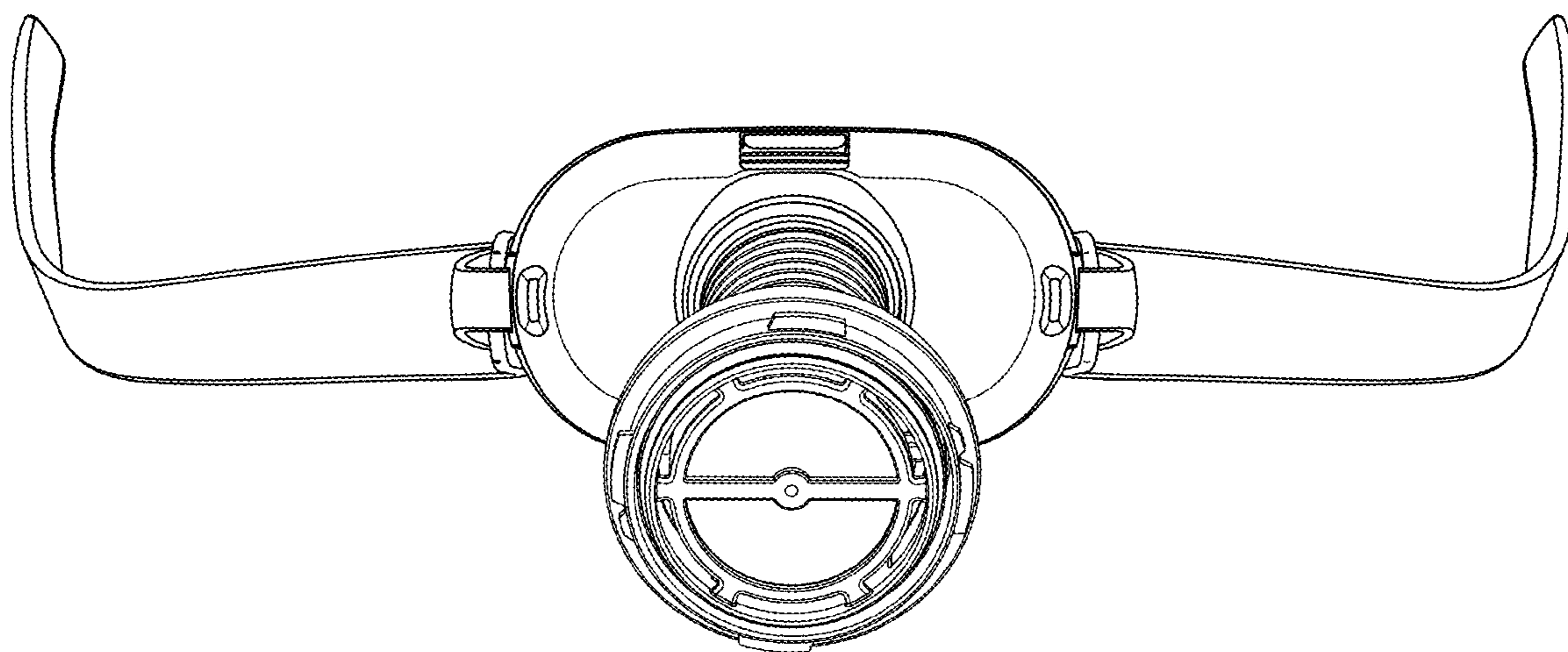
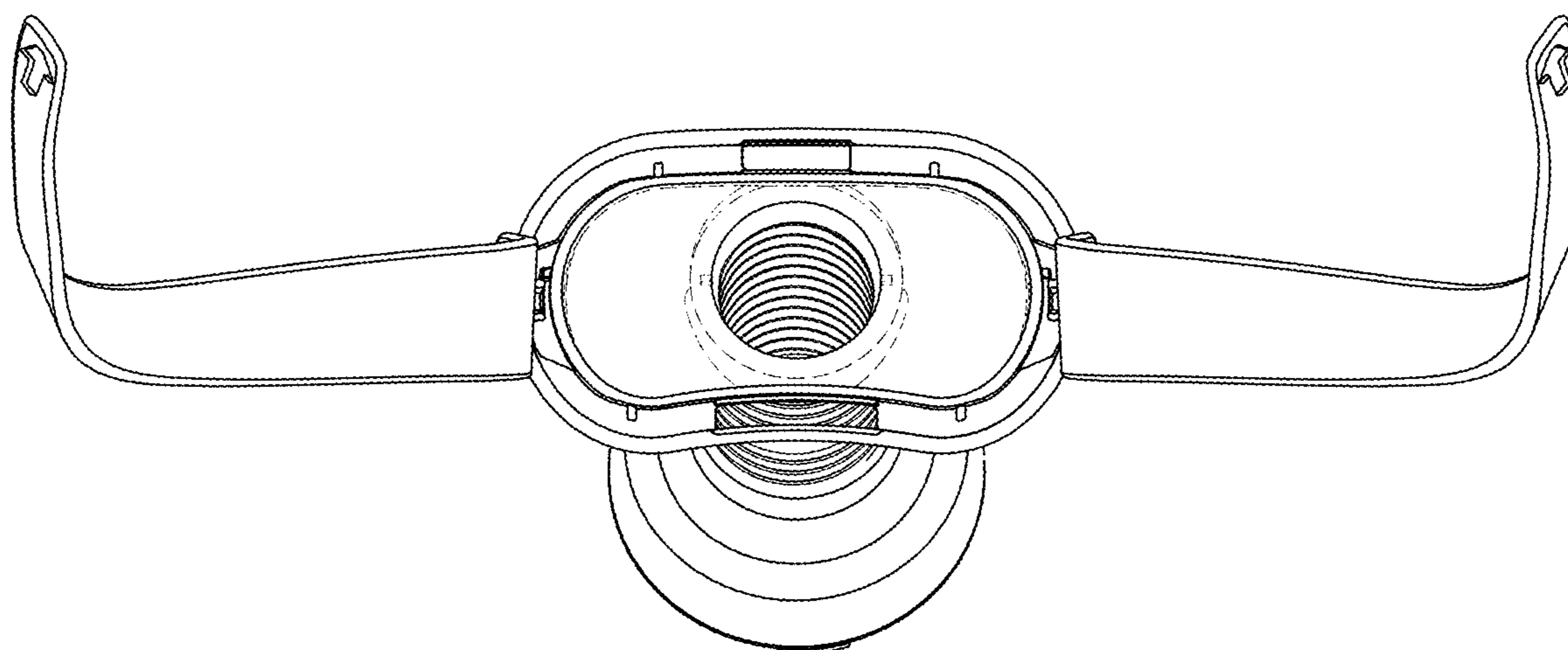


FIG. 22



**FIG. 23**



**FIG. 24**

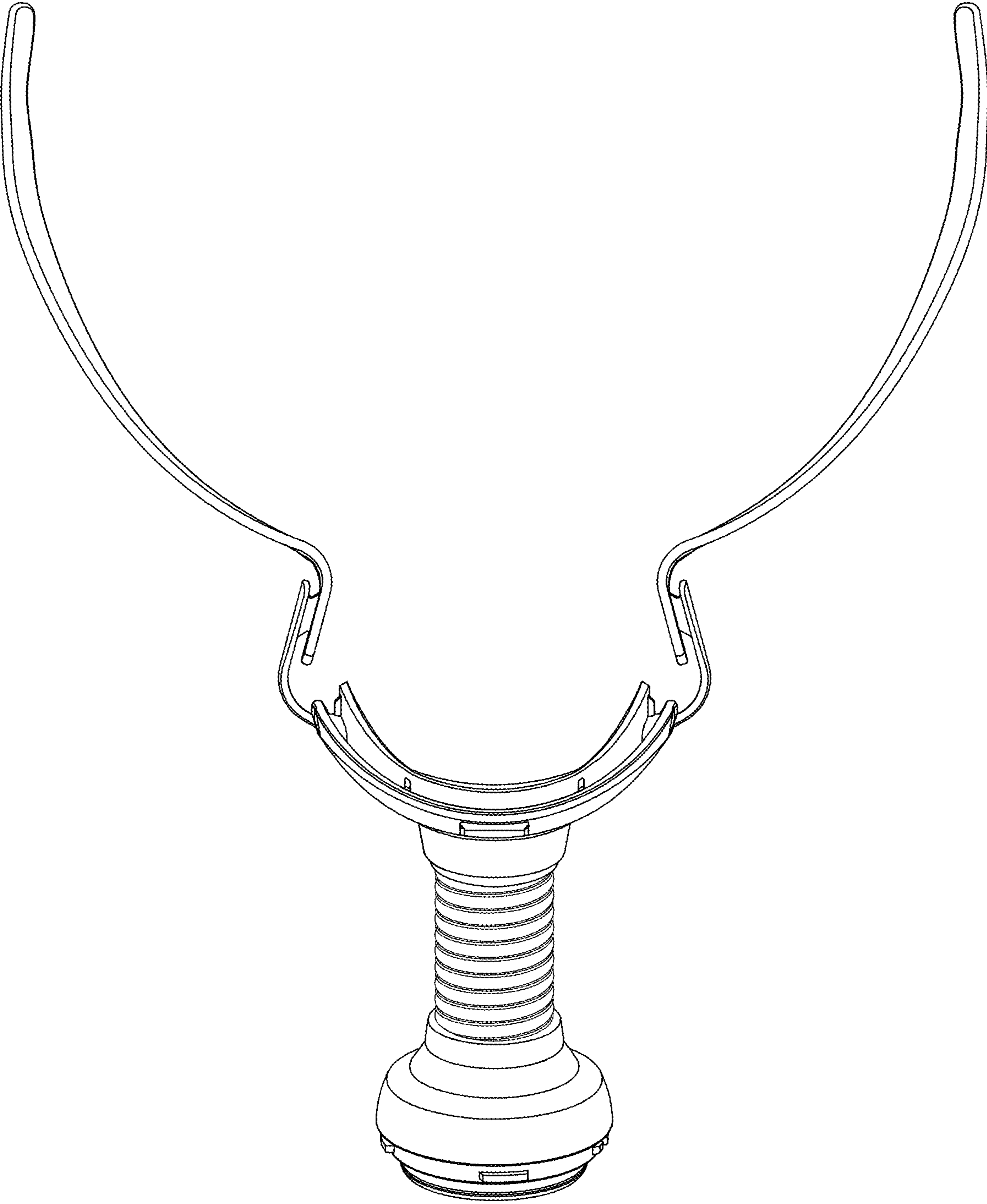


FIG. 25

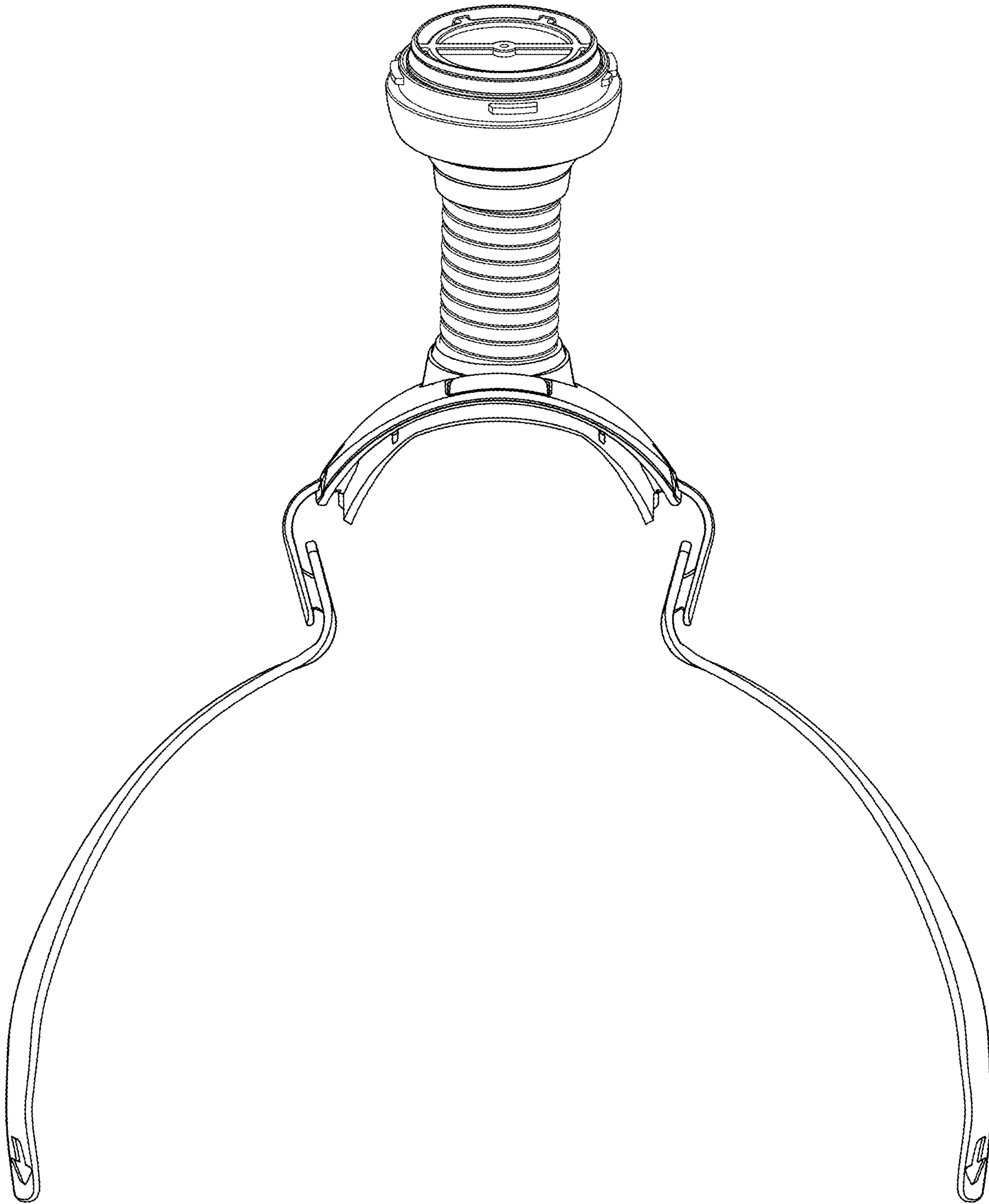


FIG. 26

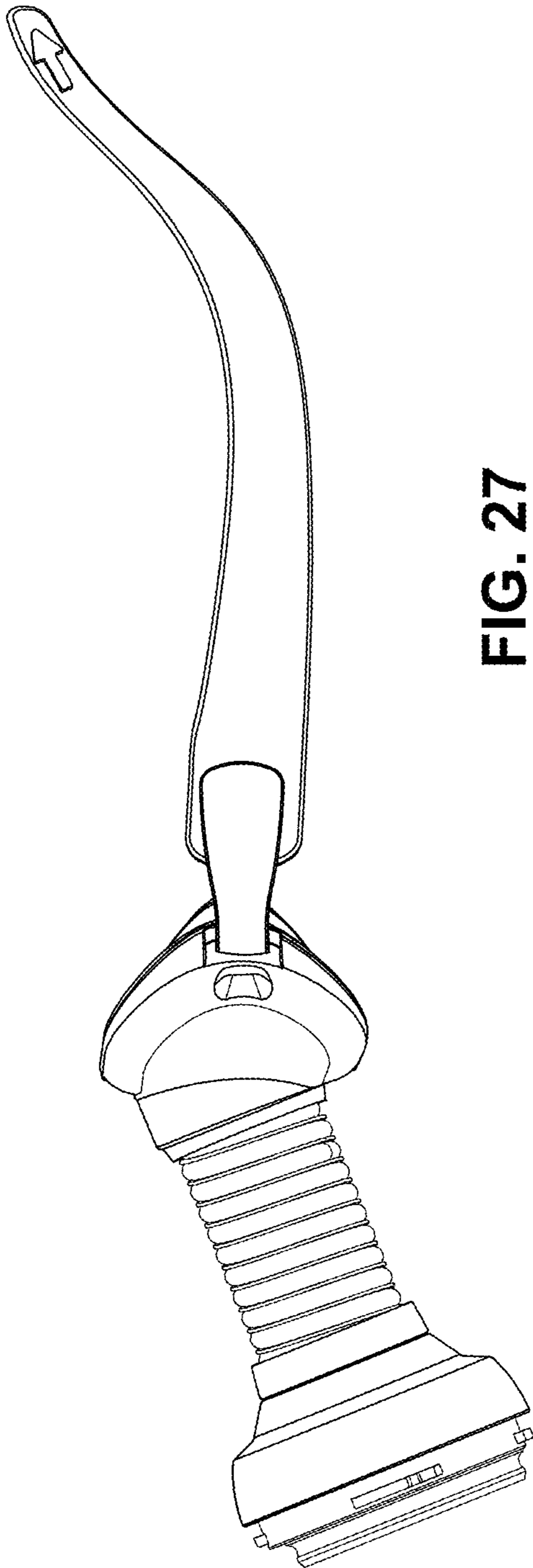


FIG. 27

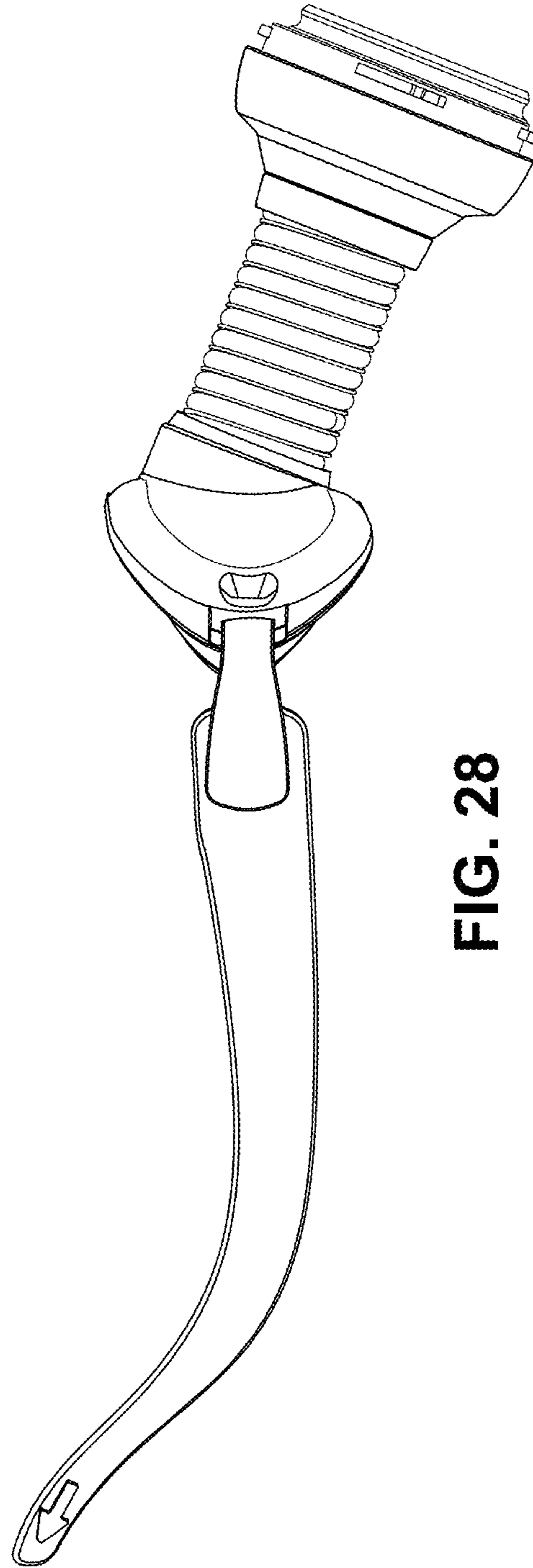


FIG. 28