



US00D895102S

(12) **United States Design Patent** (10) **Patent No.:** **US D895,102 S**  
**Dantanarayana et al.** (45) **Date of Patent:** **\*\* Sep. 1, 2020**

(54) **AIR DELIVERY ADAPTER FOR RESPIRATORY MASK**

*Primary Examiner* — Sheryl Lane

*Assistant Examiner* — Aula Soroush

(74) *Attorney, Agent, or Firm* — Nixon & Vanderhye P.C.

(71) Applicant: **ResMed Pty Ltd**, Bella Vista, New South Wales (AU)

(72) Inventors: **Muditha Pradeep Dantanarayana**, Sydney (AU); **Charles Harry Finch**, Sydney (AU); **Chia Ik Tan**, Sydney (AU); **Stewart Joseph Wagner**, Hawkesbury (AU)

(57) **CLAIM**

The ornamental design for an air delivery adapter for respiratory mask, as shown and described.

(73) Assignee: **ResMed Pty Ltd**, Bella Vista (AU)

**DESCRIPTION**

(\*\*) Term: **15 Years**

(21) Appl. No.: **29/585,940**

(22) Filed: **Nov. 30, 2016**

(51) **LOC (12) Cl.** ..... **29-02**

(52) **U.S. Cl.**  
USPC ..... **D24/110.1**

(58) **Field of Classification Search**  
USPC ..... D24/110–110.6, 127, 129; D29/110  
CPC ..... A61M 16/0616; A61M 16/0633; A61M 16/06; A61M 16/0666; A61M 16/0683; A61M 16/0605; A61M 16/0622; A61M 16/0644; A61M 16/0875; A61M 16/0816; A61M 16/08; B63C 11/205; B63C 11/16; B63C 11/186; B63C 11/12

See application file for complete search history.

FIG. 1 is a front perspective view of an air delivery adapter for respiratory mask showing a first embodiment of our new design;  
FIG. 2 is a front view thereof;  
FIG. 3 is a rear view thereof;  
FIG. 4 is a top view thereof;  
FIG. 5 is a bottom view thereof;  
FIG. 6 is a left side view thereof;  
FIG. 7 is a right side view thereof;  
FIG. 8 is a rear perspective view thereof;  
FIG. 9 is a front perspective view of an air delivery adapter for respiratory mask showing a second embodiment of our new design;  
FIG. 10 is a front view thereof;  
FIG. 11 is a rear view thereof;  
FIG. 12 is a top view thereof;  
FIG. 13 is a bottom view thereof;  
FIG. 14 is a left side view thereof;  
FIG. 15 is a right side view thereof; and,  
FIG. 16 is a rear perspective view thereof.

One or more views (e.g., bottom view) may not be shown as those views are unornamented or simply not claimed in a given embodiment.

The broken lines in the drawings depict portions of the air delivery adapter for respiratory mask that form no part of the claimed design.

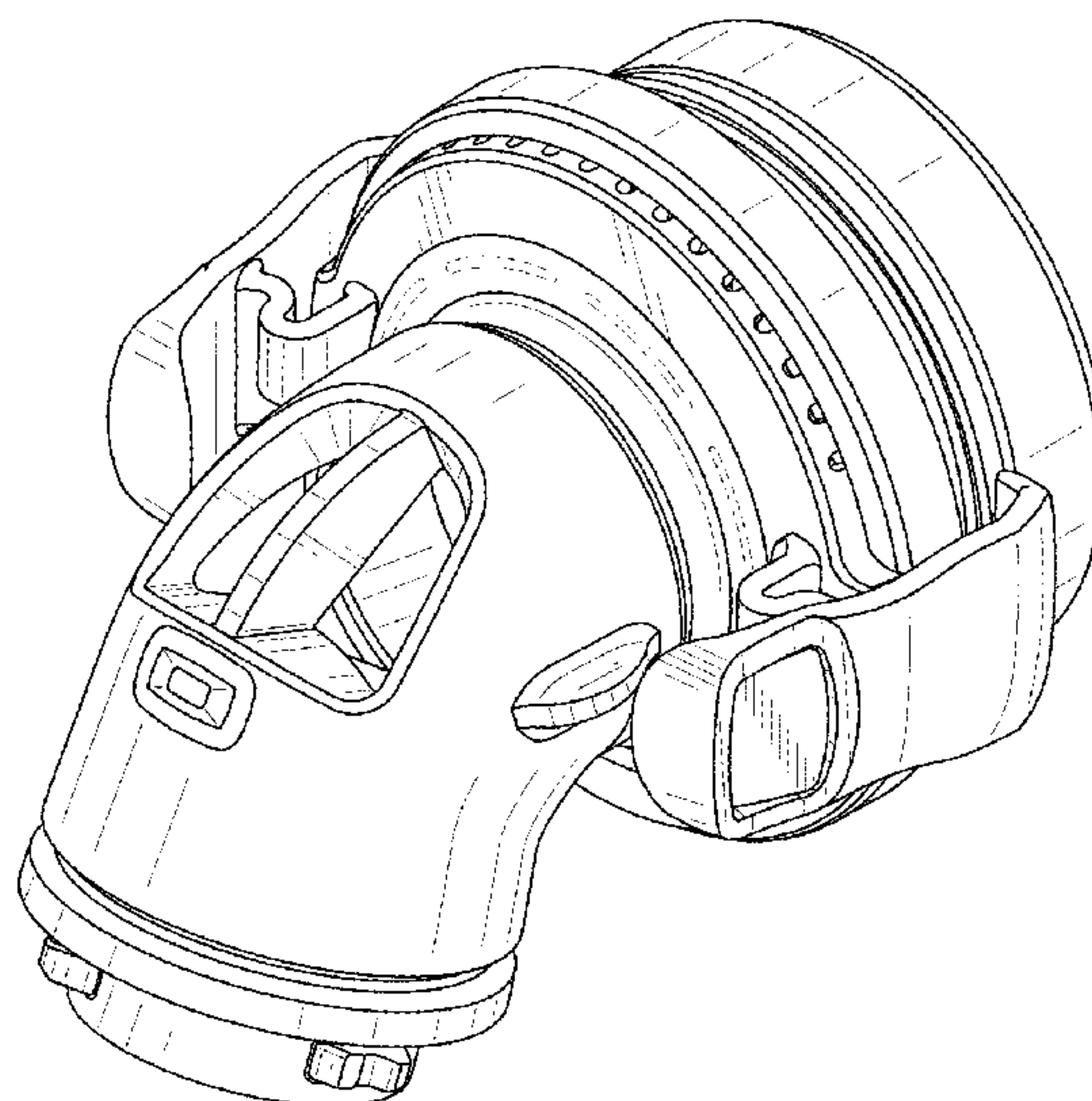
(56) **References Cited**

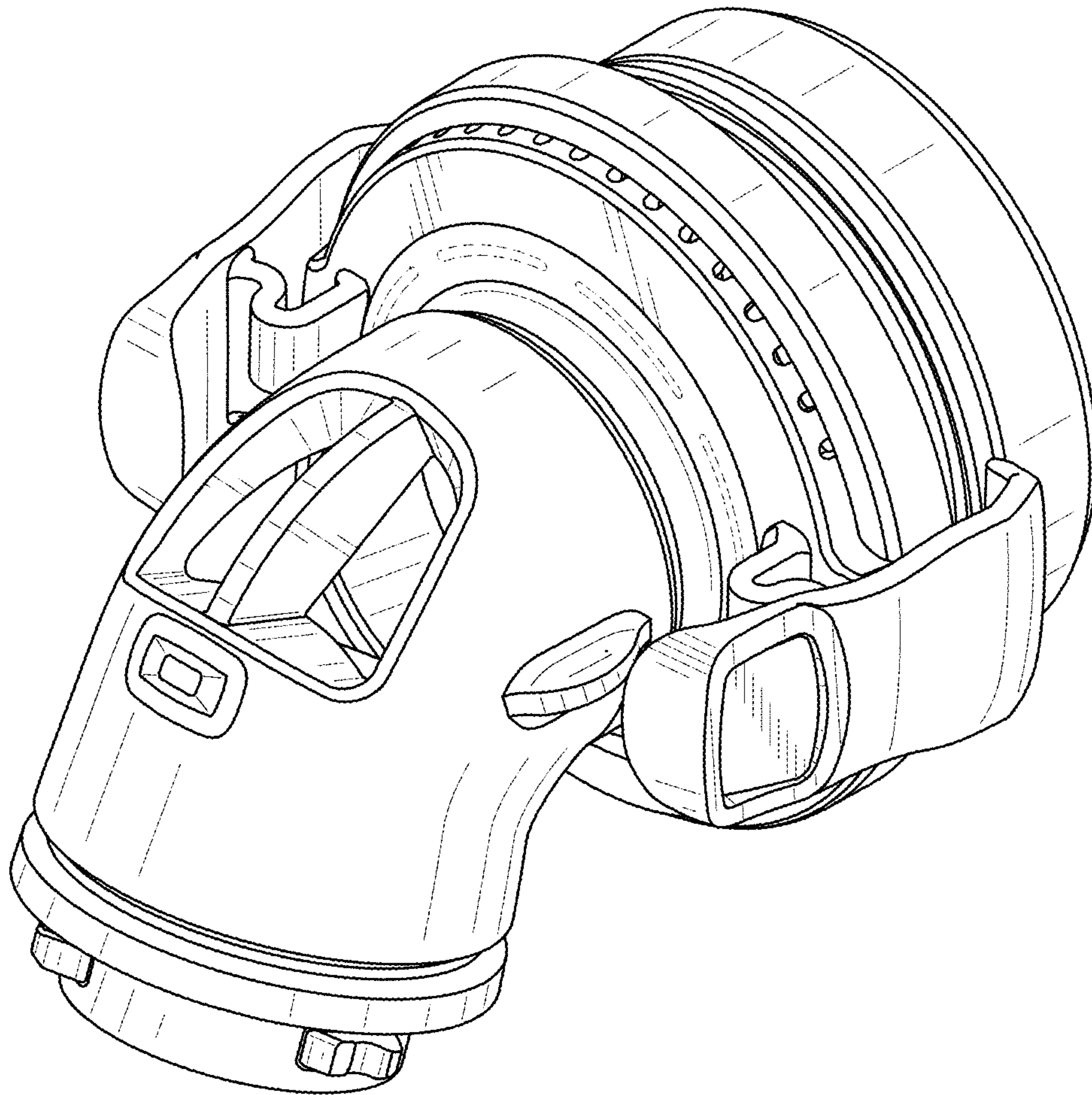
U.S. PATENT DOCUMENTS

D612,481 S \* 3/2010 Reid ..... D24/110.1  
D689,602 S \* 9/2013 Amirav ..... D24/110  
D691,713 S \* 10/2013 Fahy ..... D24/110.1  
D785,161 S \* 4/2017 Dravitzki ..... D24/110.4  
9,821,134 B2 \* 11/2017 Drew ..... A61M 16/0875  
D808,008 S \* 1/2018 Burnham ..... D24/110.4  
2018/0001047 A1 \* 1/2018 McAuley ..... A61M 16/0057

\* cited by examiner

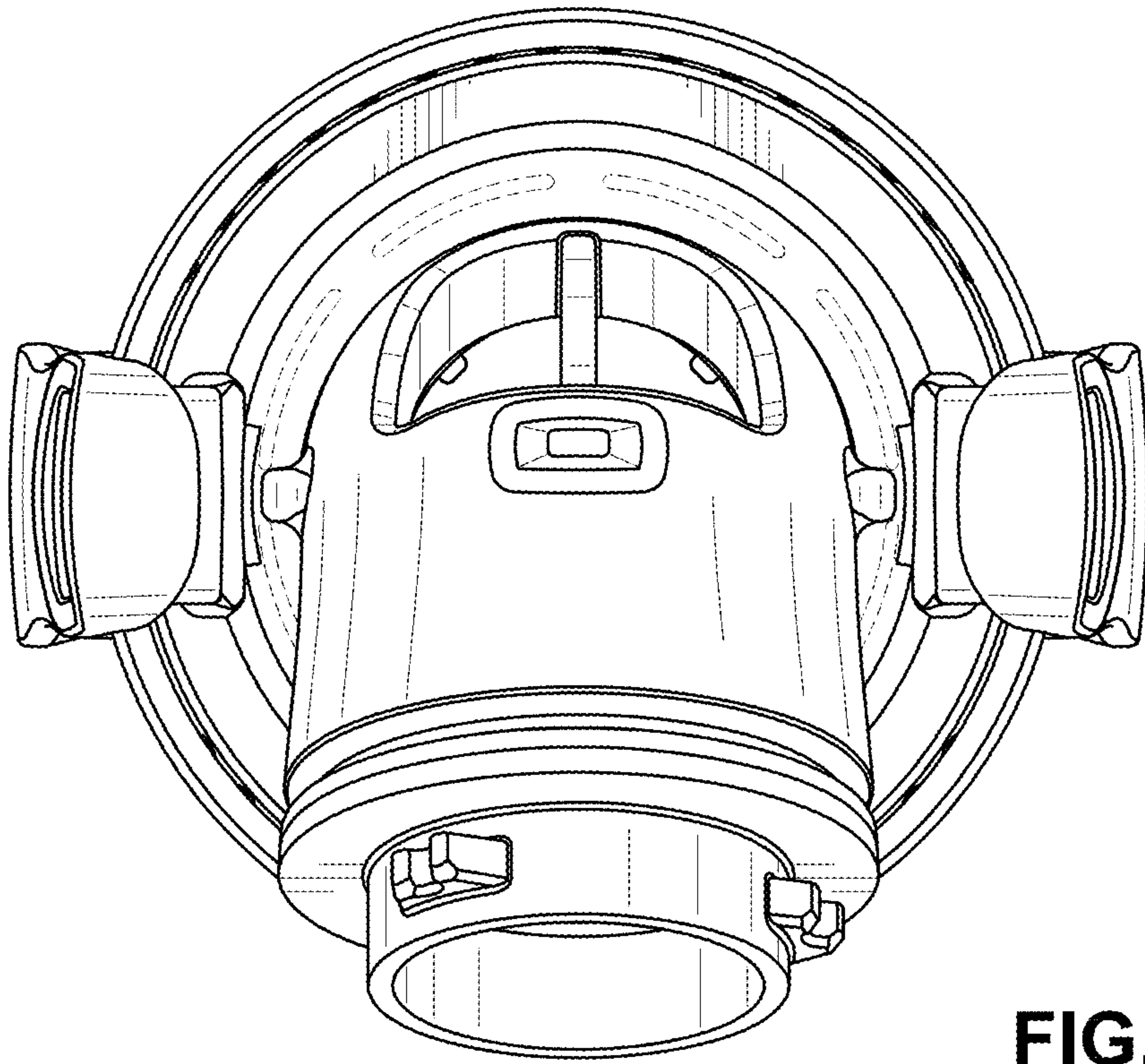
**1 Claim, 12 Drawing Sheets**



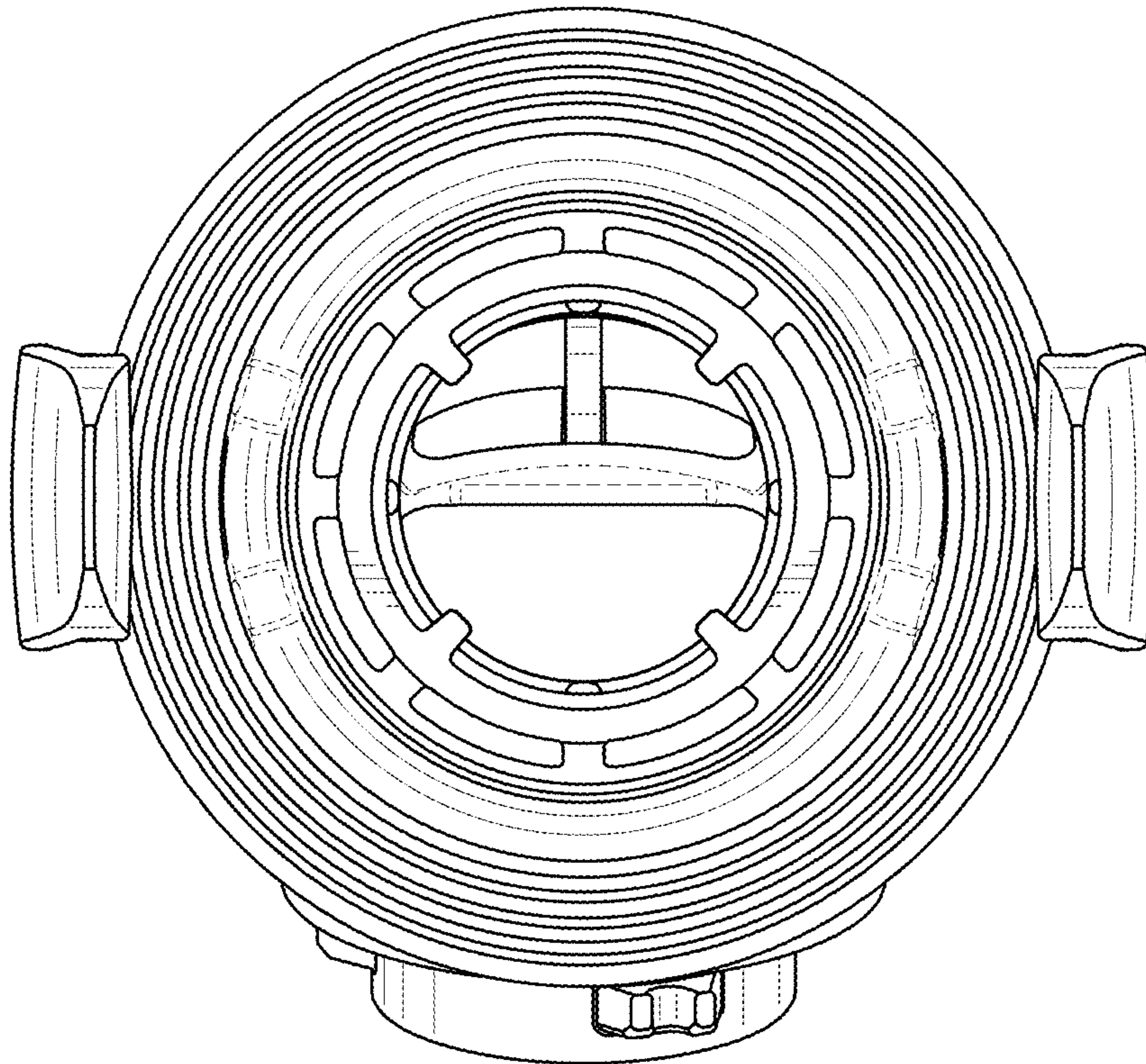


**FIG. 1**





**FIG. 2**



**FIG. 3**

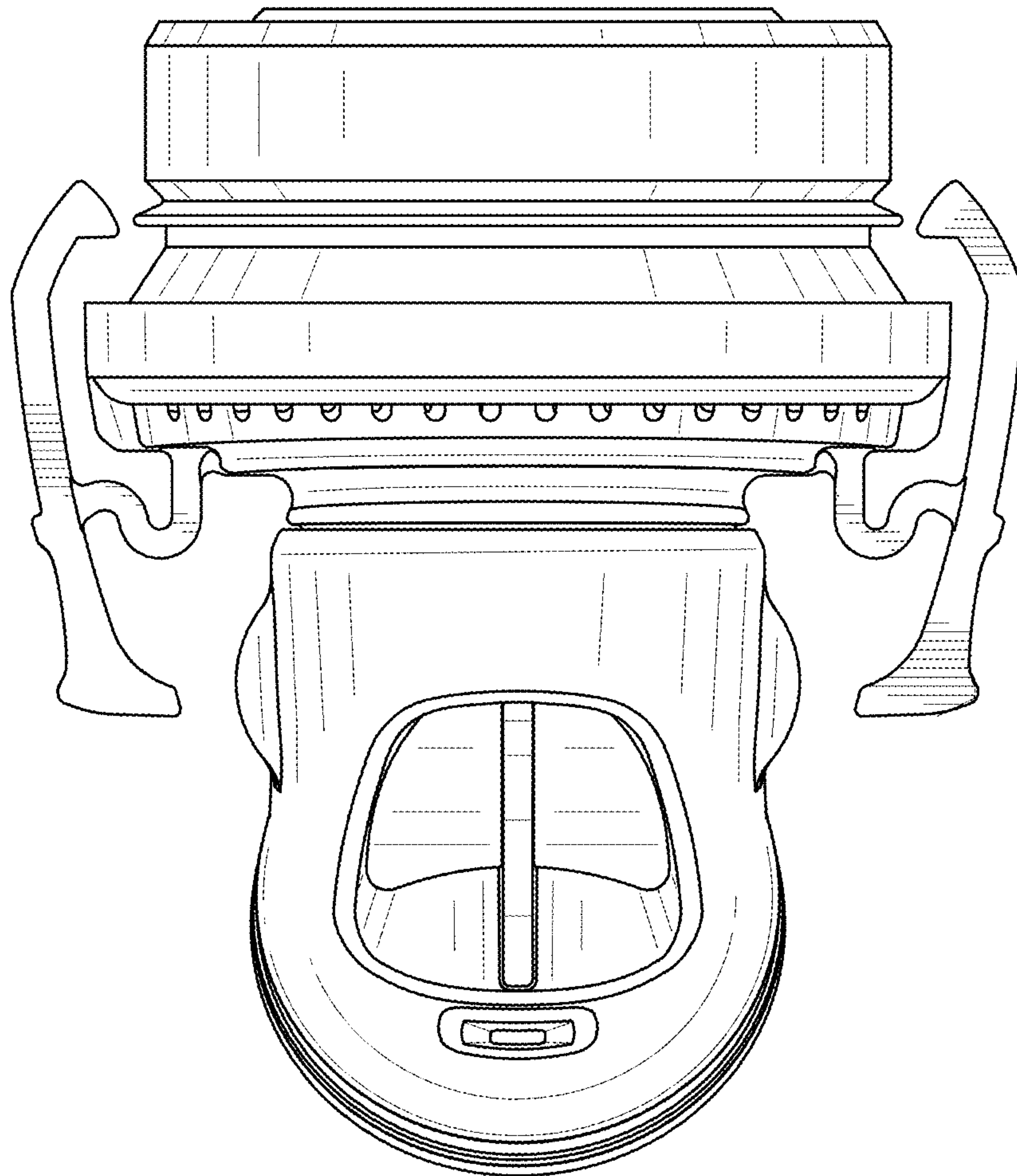


FIG. 4

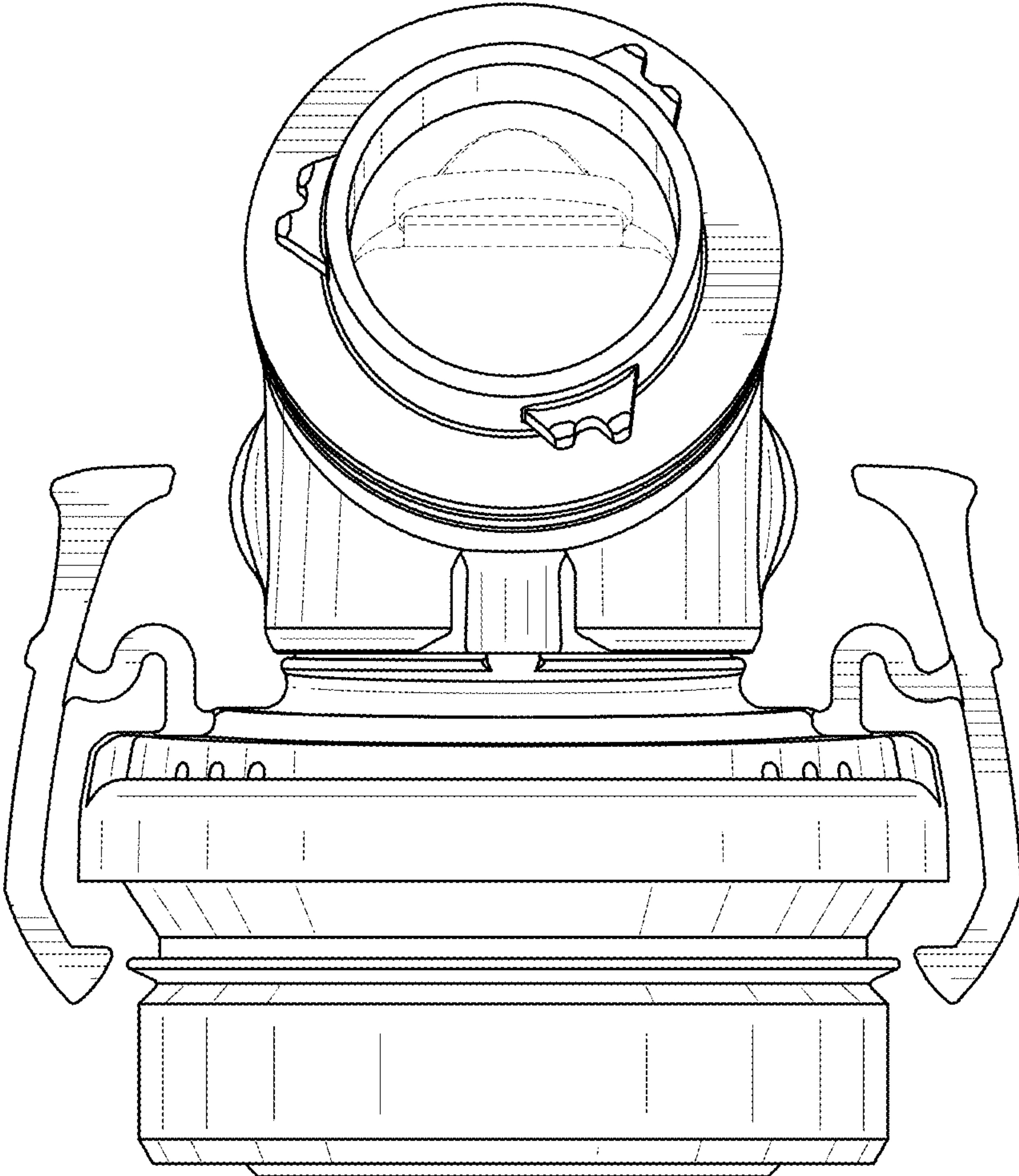


FIG. 5



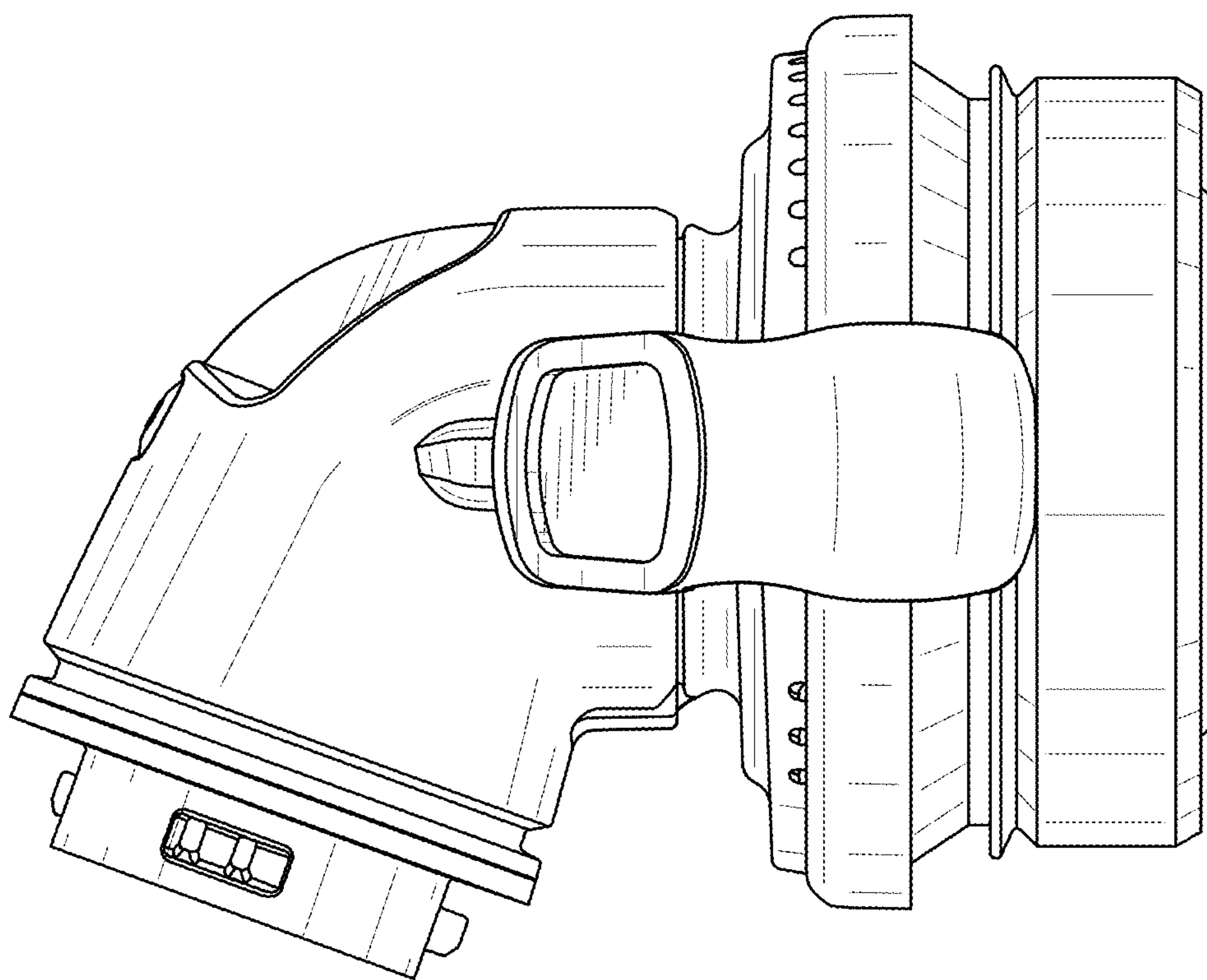


FIG. 6

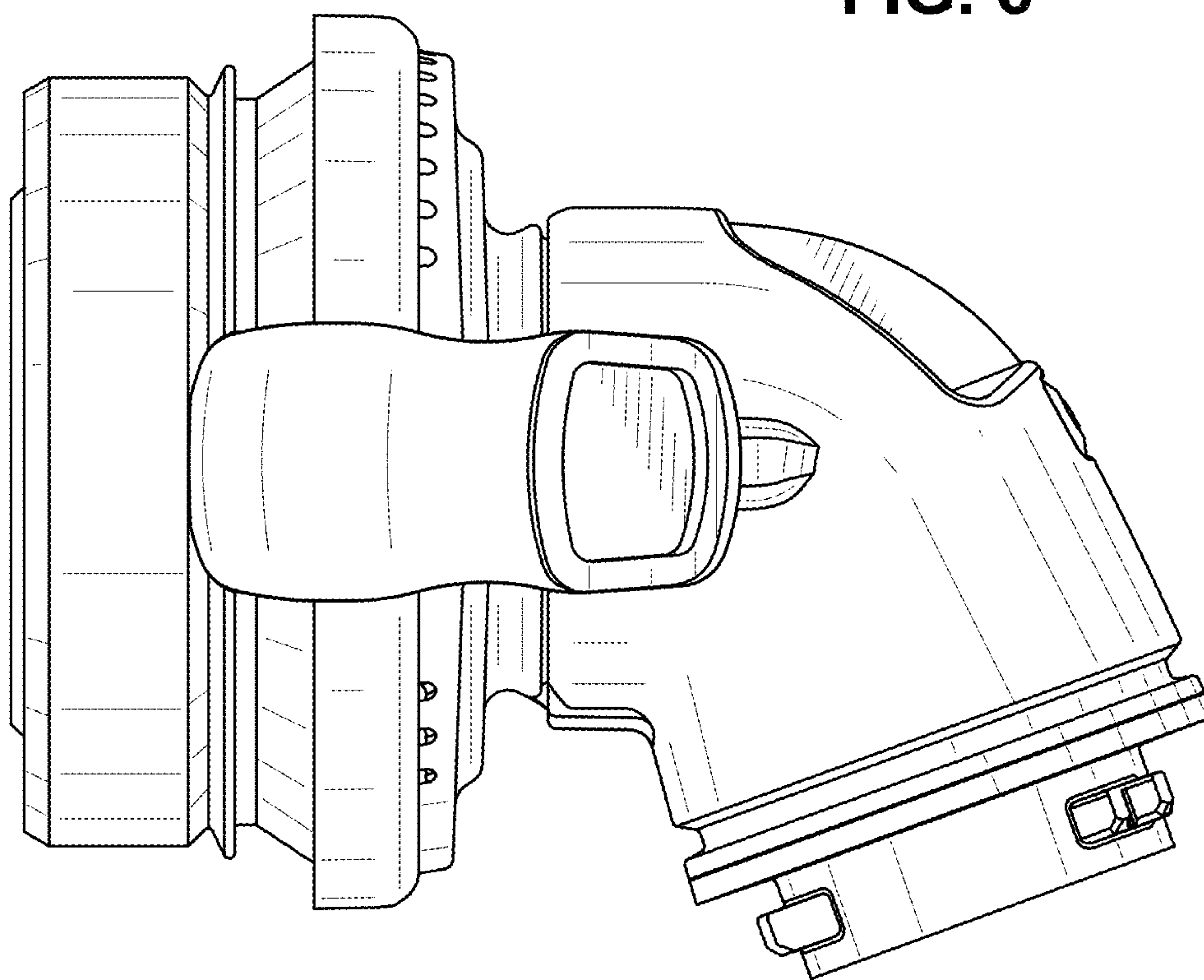
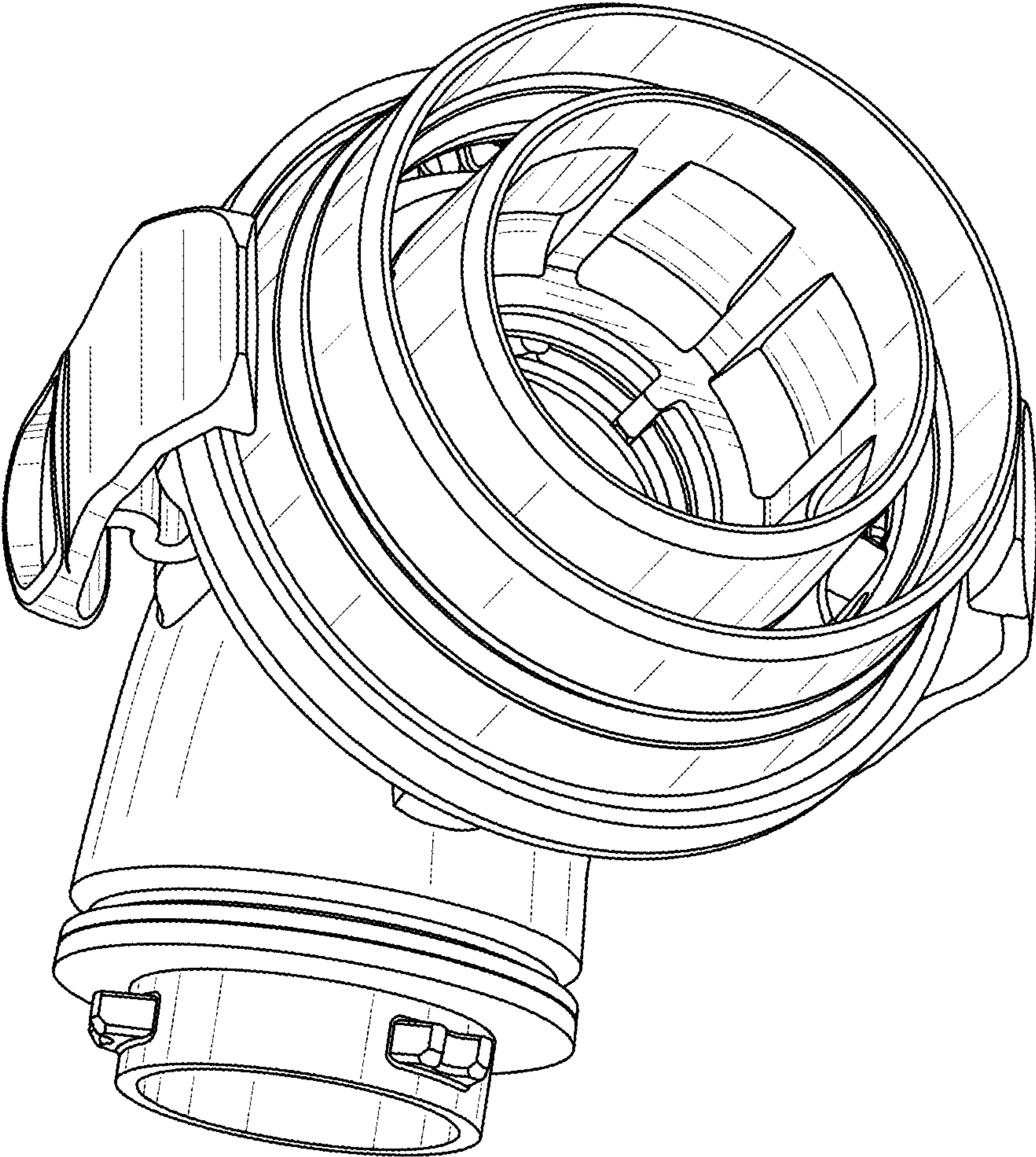


FIG. 7



**FIG. 8**

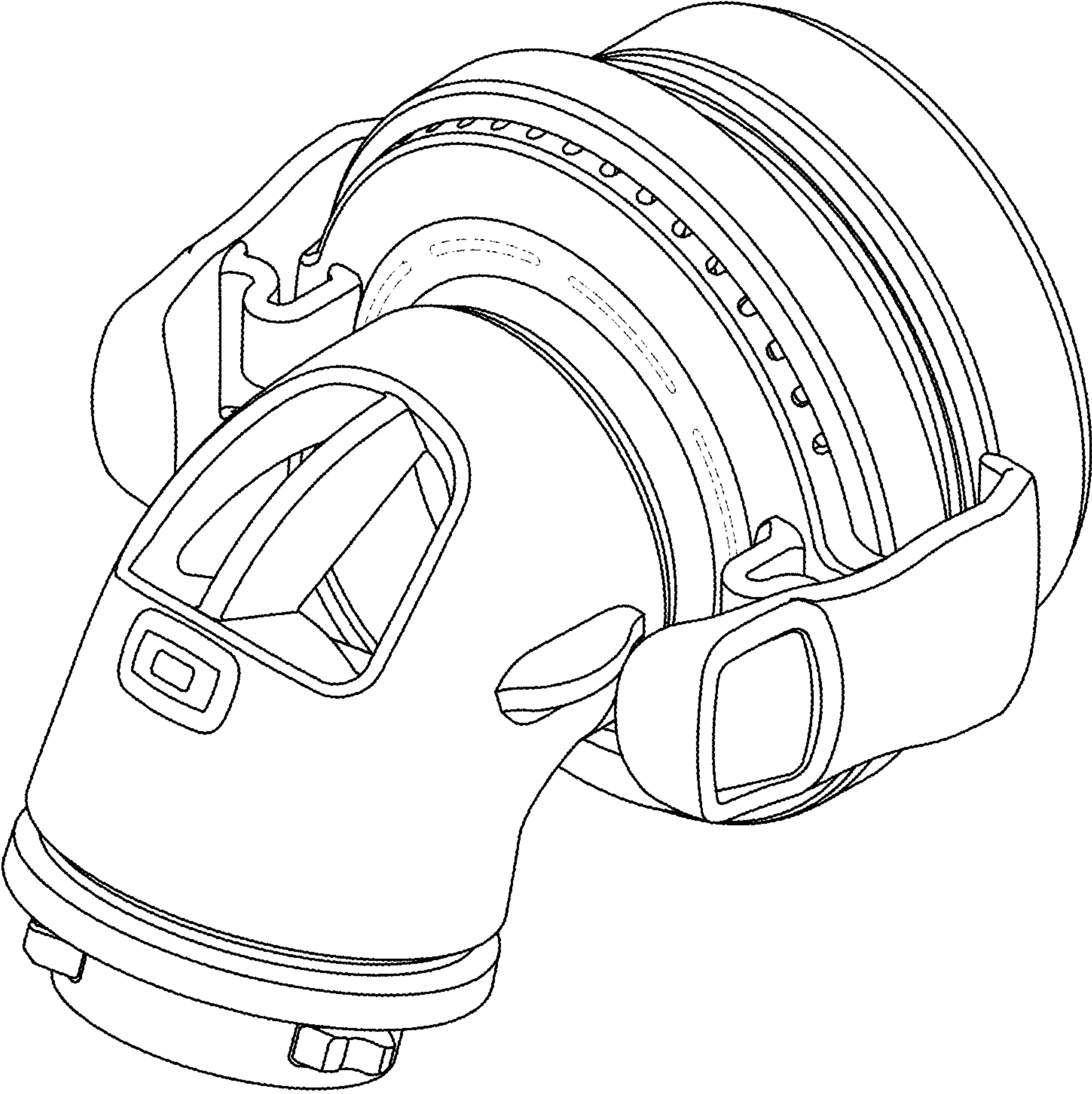
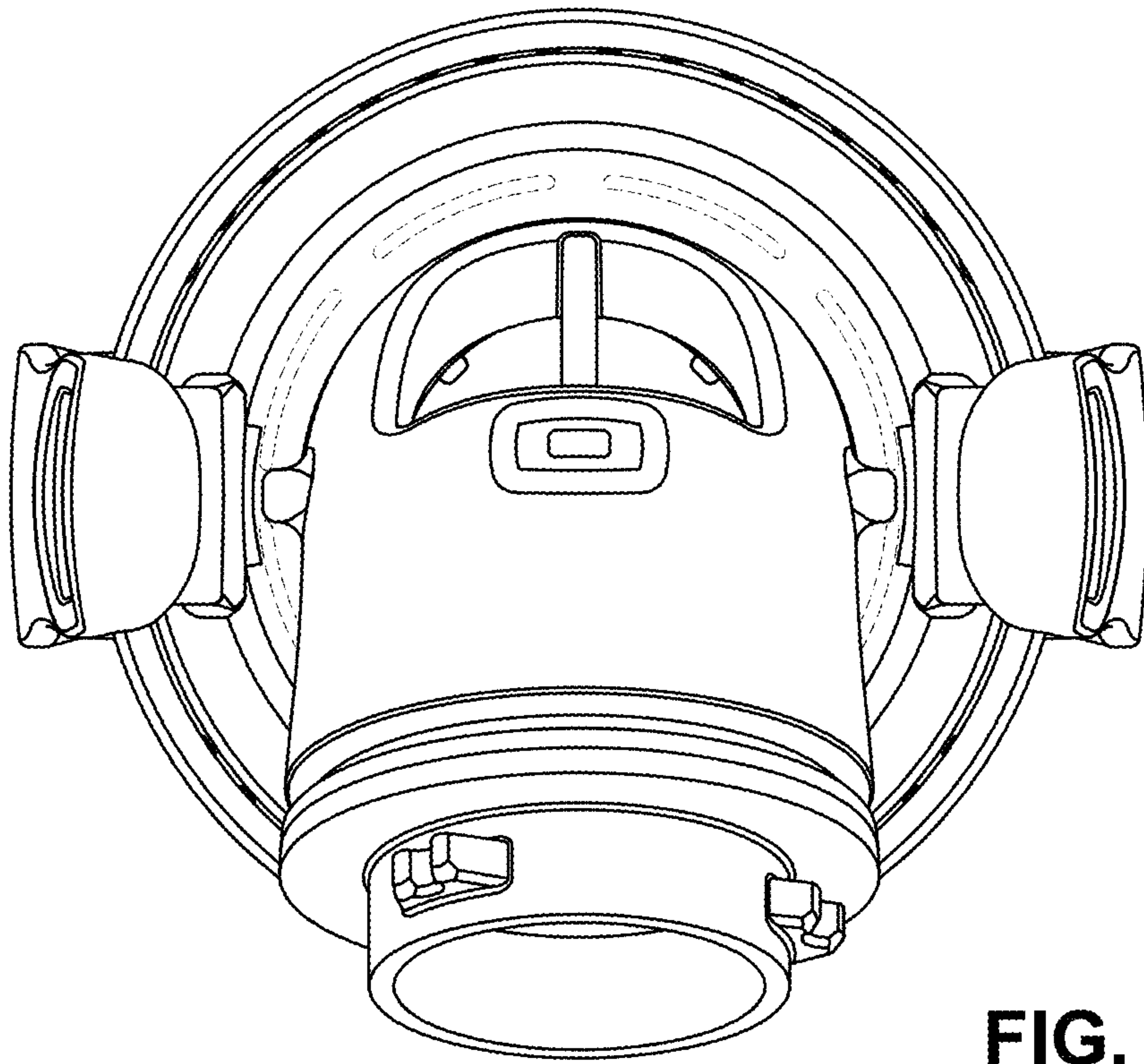
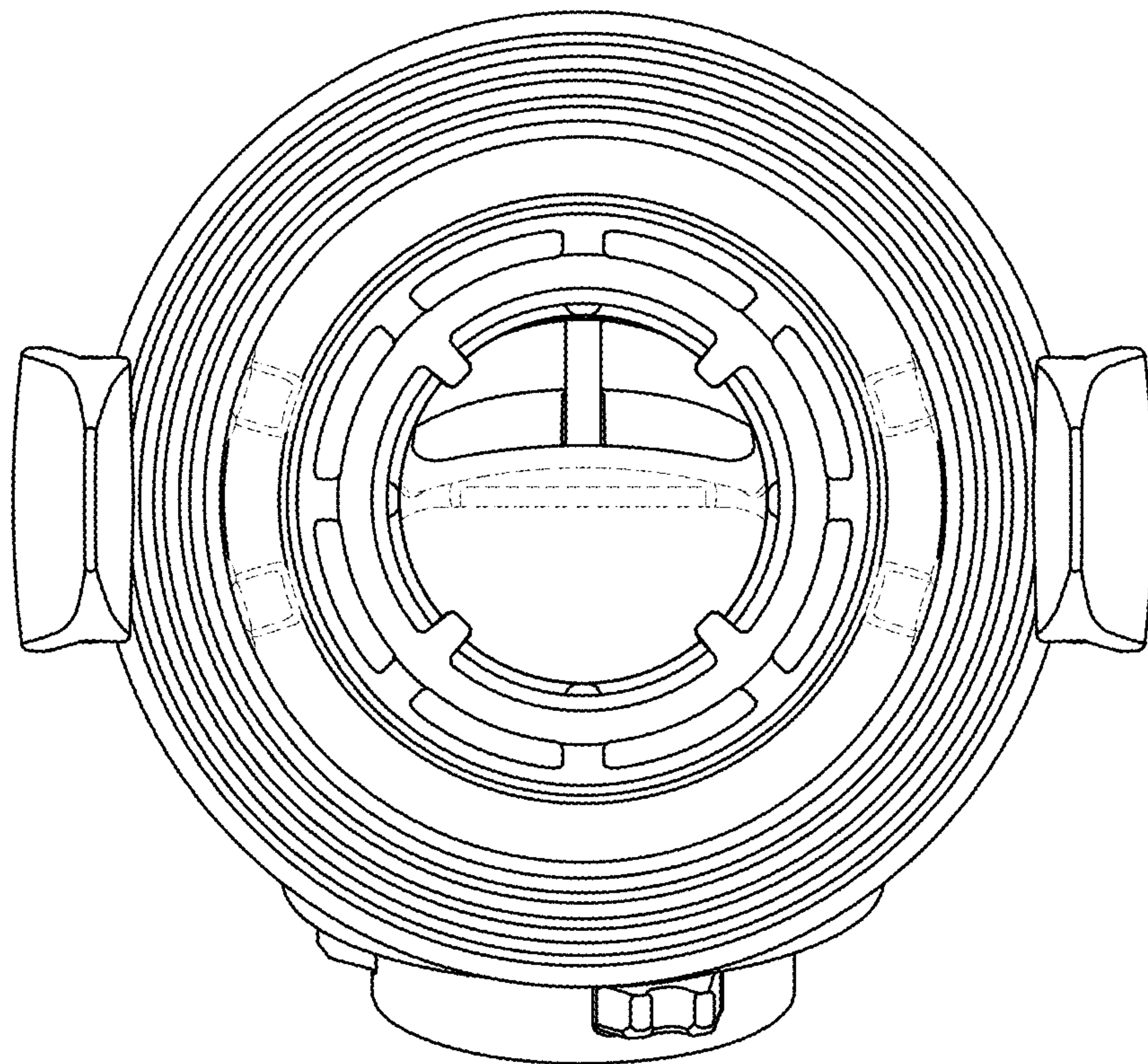


FIG. 9





**FIG. 10**



**FIG. 11**

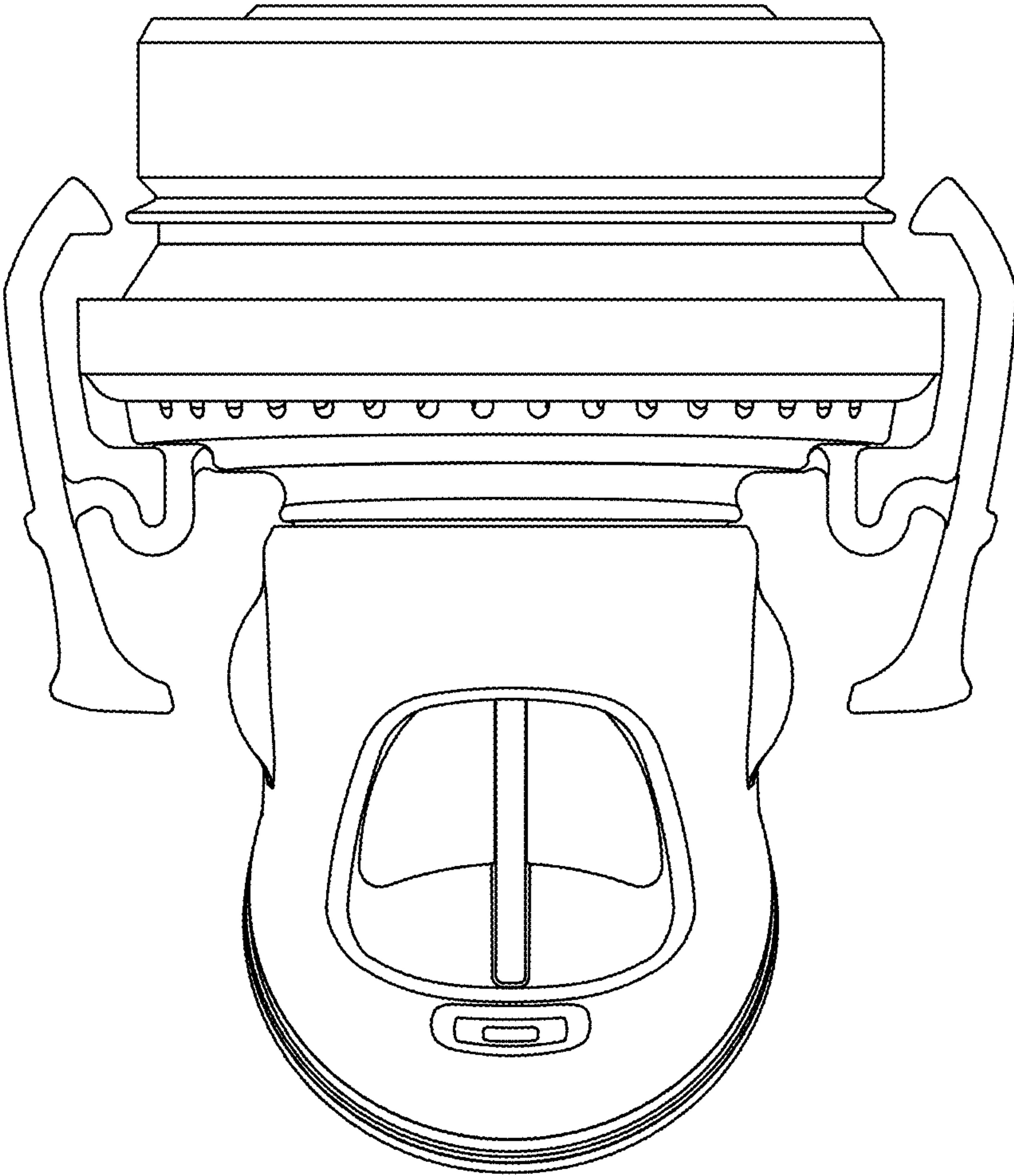


FIG. 12

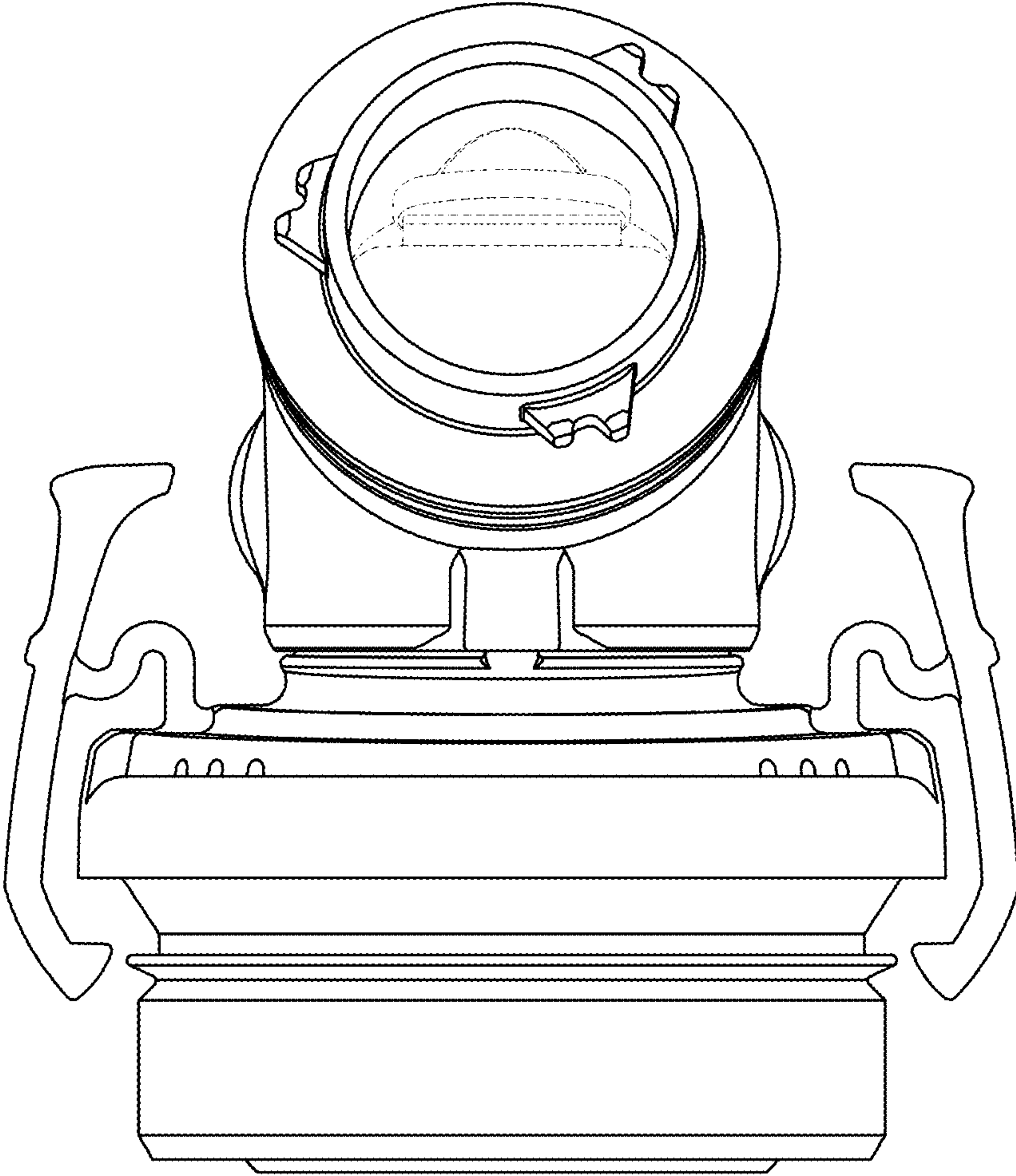
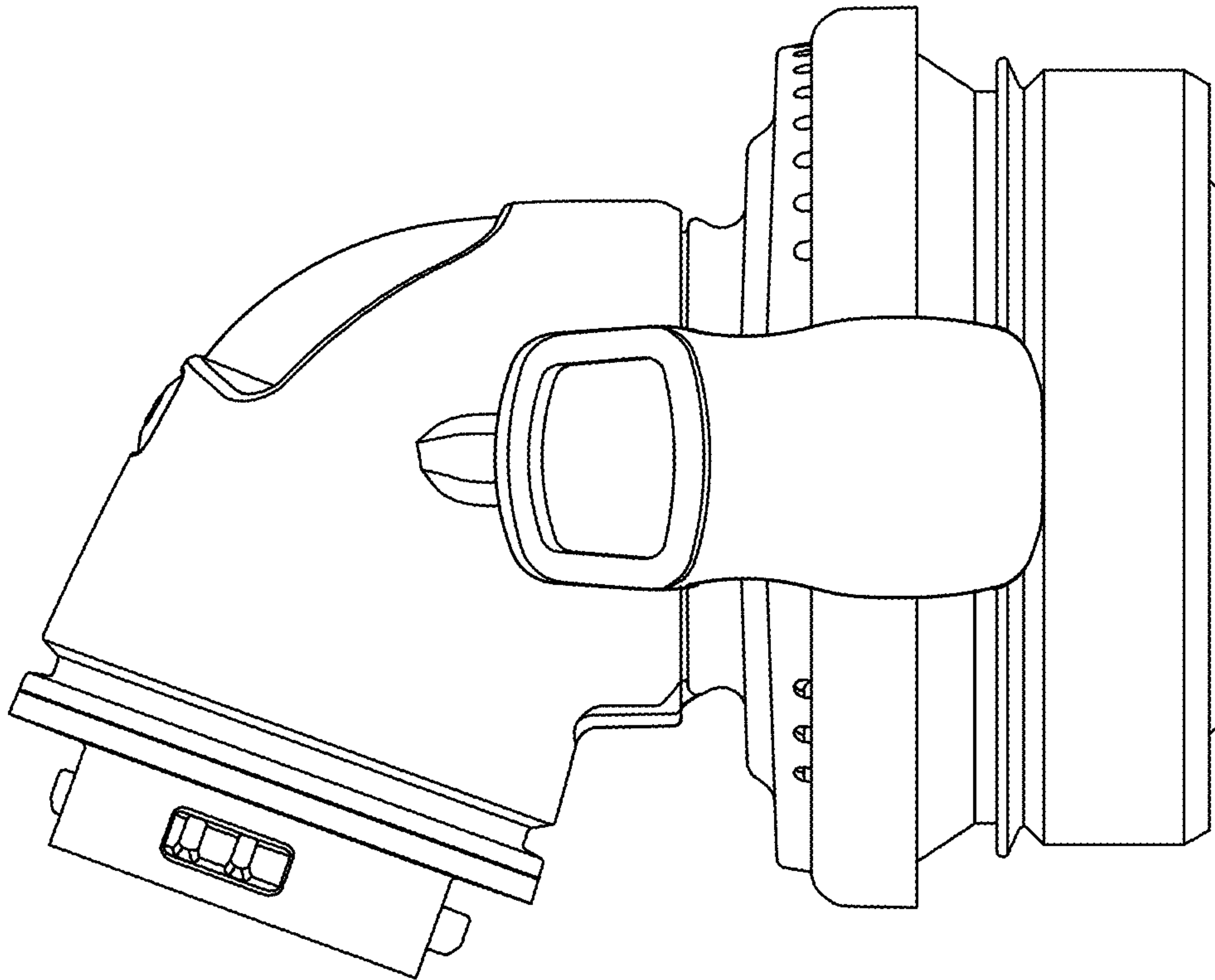
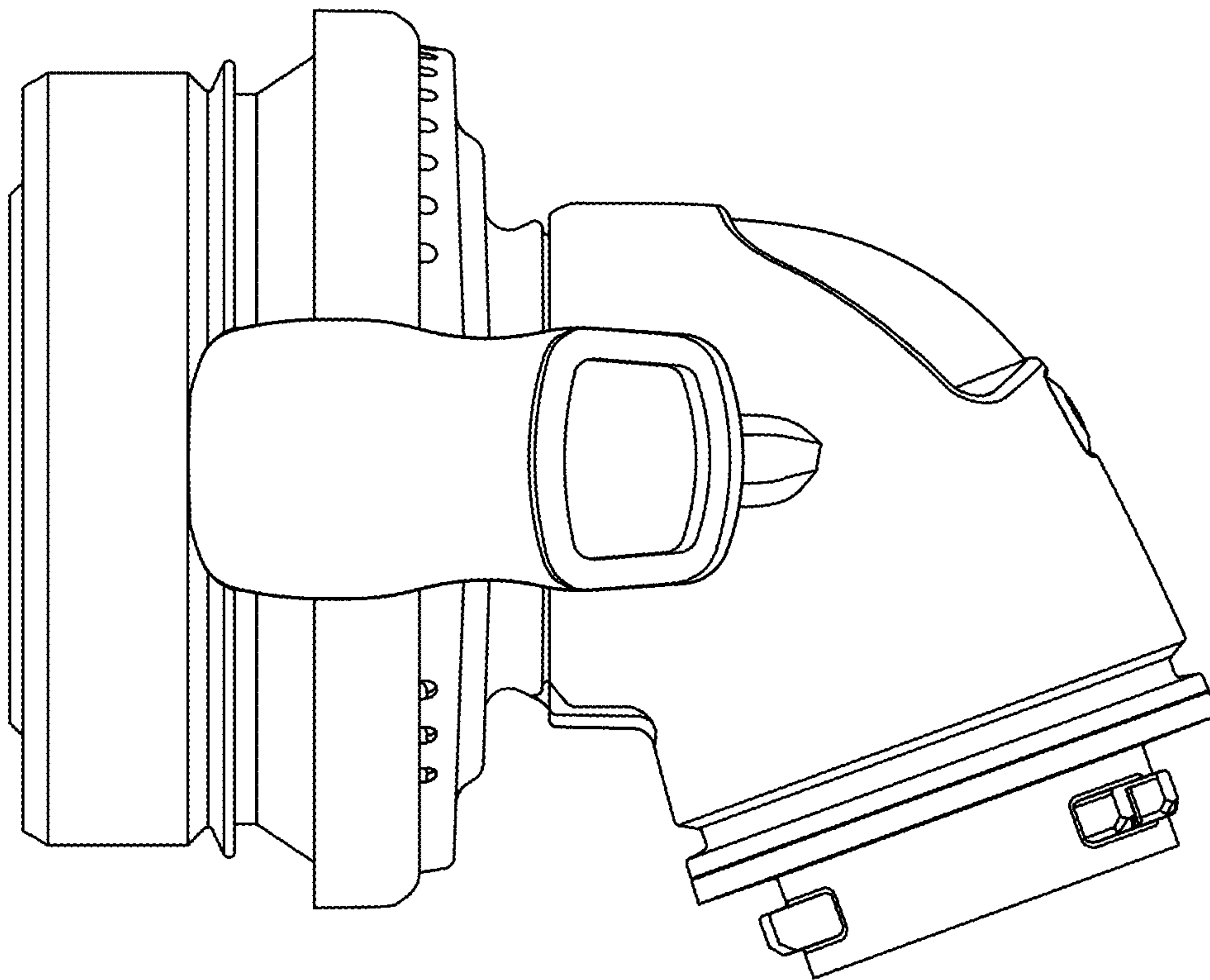


FIG. 13





**FIG. 14**



**FIG. 15**

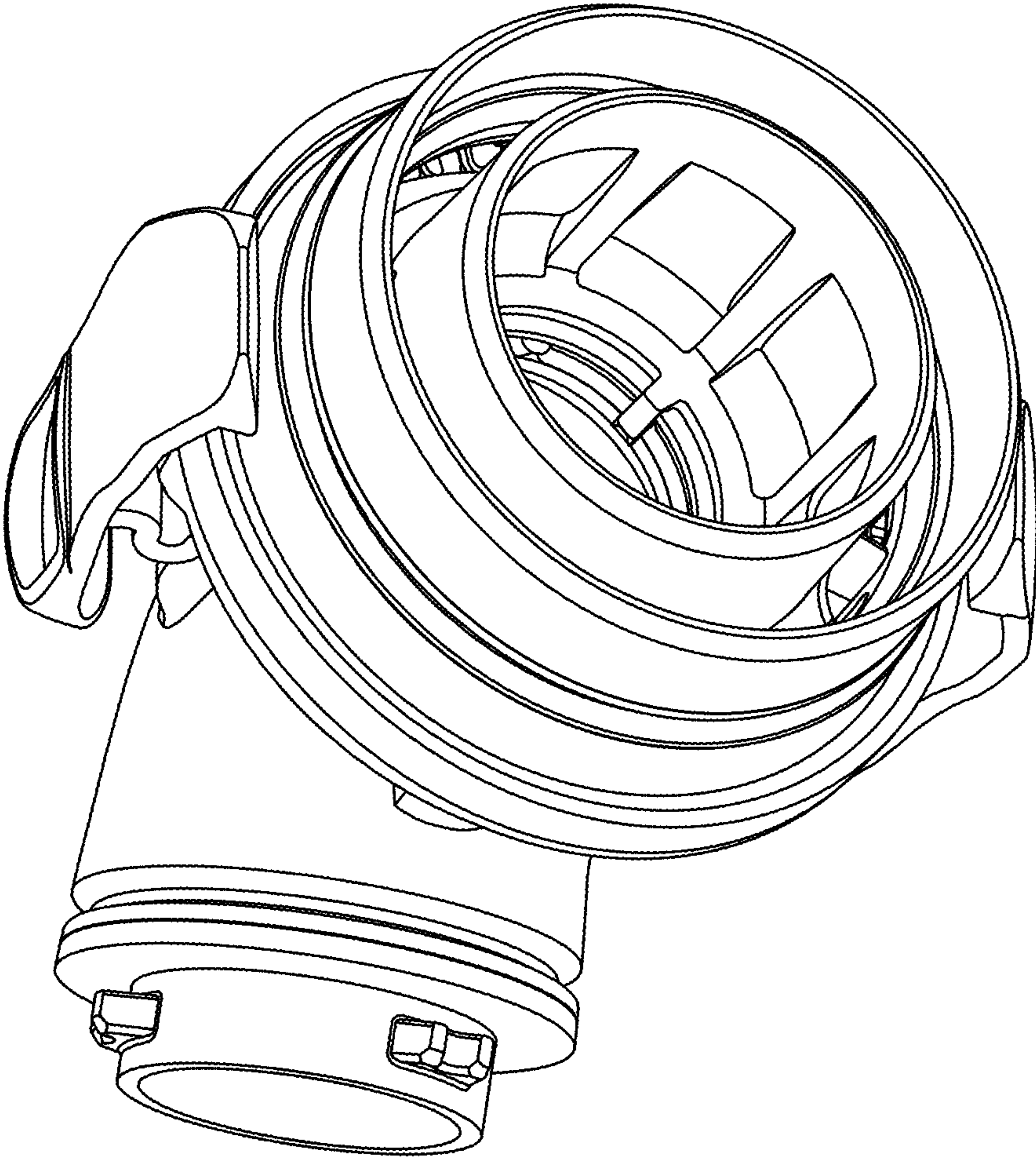


FIG. 16