



US00D895100S

(12) **United States Design Patent**
Nielson et al.

(10) **Patent No.:** **US D895,100 S**
(45) **Date of Patent:** **** Sep. 1, 2020**

(54) **AIR DUCT**

- (71) Applicant: **N.P.S. Company, LLC**, Hurricane, UT (US)
- (72) Inventors: **Scott T. Nielson**, St. George, UT (US); **Michael O. Nielson**, Hurricane, UT (US); **Junjie Dai**, Shanghai (CN); **Jinbao Chen**, Yangzhou (CN)
- (73) Assignee: **N.P.S. Company, LLC**, Hurricane, UT (US)

(**) Term: **15 Years**

(21) Appl. No.: **29/673,069**

(22) Filed: **Dec. 11, 2018**

(51) **LOC (12) Cl.** **23-03**

(52) **U.S. Cl.**
USPC **D23/393**

(58) **Field of Classification Search**
USPC D23/393, 394, 385, 370–373, 397, 365, D23/351, 354, 399–403; D12/194; D8/396; D15/7, 148; D11/7; 415/207, 415/214.1, 204; 285/189
CPC F04D 29/42; F04D 29/40; F04D 29/60; F04D 29/62; F16L 25/00
See application file for complete search history.

(56) **References Cited**

U.S. PATENT DOCUMENTS

- 2,482,519 A * 9/1949 Schwarz F04D 29/626 415/204
 - 3,732,030 A * 5/1973 Mullings F04D 29/424 415/214.1
 - D244,020 S * 4/1977 Hanson D15/148
- (Continued)

FOREIGN PATENT DOCUMENTS

JP 1480565 * 2/2013

OTHER PUBLICATIONS

Above Ground Pump Cover, announced Date unavailable[online], [site visited May 4, 2020]. Available from internet, URL:<https://www.discountfilterstore.com/american-hydro-systems-265075-pumphaus-pump-cover.html> (Year: 2020).*

(Continued)

Primary Examiner — Barbara Fox

Assistant Examiner — Jamaal Rasheed

(74) *Attorney, Agent, or Firm* — Austin Rapp

(57) **CLAIM**

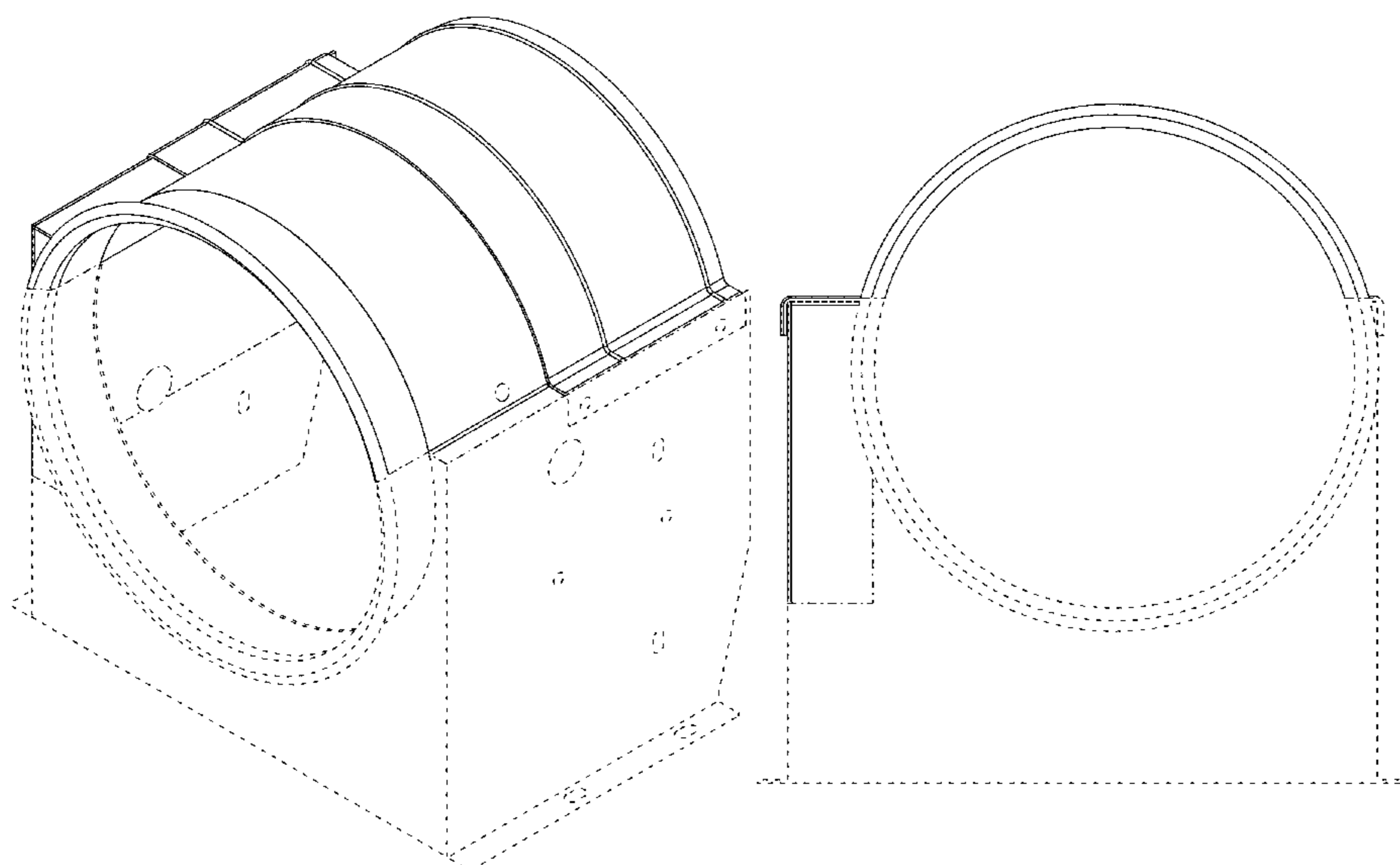
The ornamental design for an air duct, as shown and described.

DESCRIPTION

FIG. 1 is a first top perspective view of an air duct, according to our new design;
 FIG. 2 is a second top perspective view of the air duct;
 FIG. 3 is a first bottom perspective view of the air duct;
 FIG. 4 is a second bottom perspective view of the air duct;
 FIG. 5 is a front side elevational view of the air duct;
 FIG. 6 is a rear side elevational view of the air duct;
 FIG. 7 is a top side view of the air duct;
 FIG. 8 is a bottom side view of the air duct;
 FIG. 9 is a right side elevational view of the air duct;
 FIG. 10 is a left side elevational view of the air duct; and,
 FIG. 11 is a third top perspective view of the air duct positioned in an unclaimed generator for a recreational vehicle.

The portions of the figures shown in broken lines (either in dash-dash broken line format or in dot-dash broken line format) form no part of the claimed design. The portions shown in dash-dash broken line format comprise unclaimed environmental structure. The lines shown in dot-dash broken line format identify boundaries between unclaimed and claimed region(s).

1 Claim, 11 Drawing Sheets



(56)

References Cited

U.S. PATENT DOCUMENTS

4,653,442 A 3/1987 Swenson
 D295,621 S 5/1988 Lent
 D303,785 S 10/1989 Waltz
 D309,288 S 7/1990 Haverty
 5,240,222 A 8/1993 Seeley
 5,368,000 A 11/1994 Koziara
 5,495,907 A 3/1996 Data
 6,902,373 B1* 6/2005 Glanton F04D 29/441
 415/207
 6,919,518 B2 7/2005 Rademacher
 D579,842 S * 11/2008 Ren D12/194
 D593,192 S * 5/2009 Spaggiari D23/370
 7,573,145 B2 8/2009 Peterson
 7,999,405 B2 8/2011 Peterson
 8,056,933 B2* 11/2011 Liptak F01D 25/28
 285/189
 D669,571 S * 10/2012 Penlesky D23/393
 D709,920 S * 7/2014 Tristano D15/7
 D804,981 S * 12/2017 Pohl D11/7

D826,284 S * 8/2018 Mead D15/7
 D877,607 S * 3/2020 Witherbee D8/396
 D878,193 S * 3/2020 Witherbee D8/396
 D881,685 S * 4/2020 Witherbee D8/396
 D881,686 S * 4/2020 Witherbee D8/396
 D881,687 S * 4/2020 Witherbee D8/396
 2002/0044422 A1 4/2002 Bailey

OTHER PUBLICATIONS

Cummins Onan, RV Gasoline Generators, publication [online] [retrieved on Jun. 14, 2013] apparently published on or before Feb. 7, 2012, retrieved from the Internet: <URL: web.archive.org/web/20120207232315/http://www.cumminsonan.com/rv/products/gasoline> (shown in attachment 1).
 Cummins Onan, RV QG 4000 EVAP shown in attachment 2 was sold or offered for sale at least by Jan. 1, 2014.
 Onan, MicroQuiet 4000 shown in attachment 3 was sold or offered for sale at least by Mar. 14, 2012.

* cited by examiner

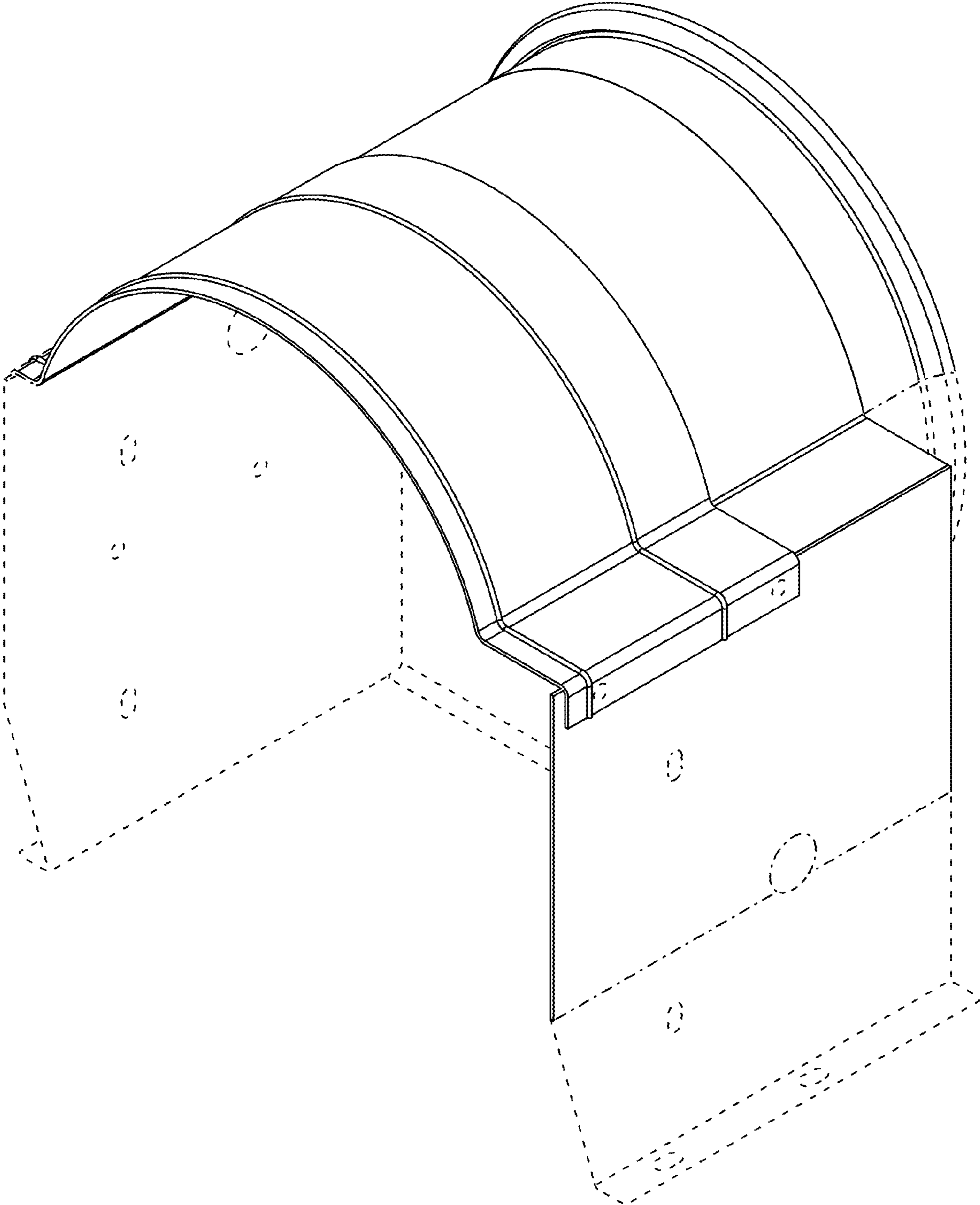


FIG. 1

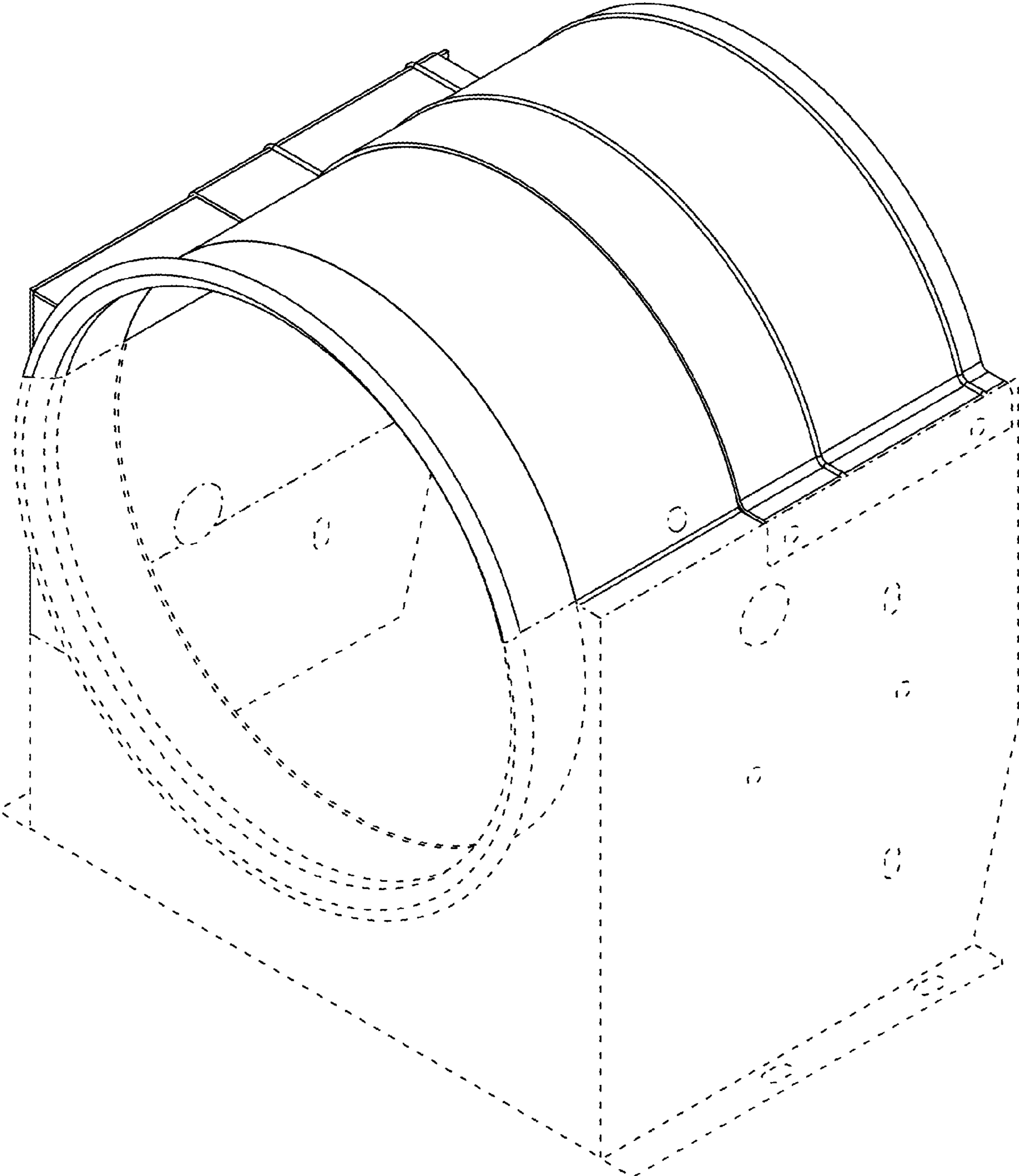


FIG. 2

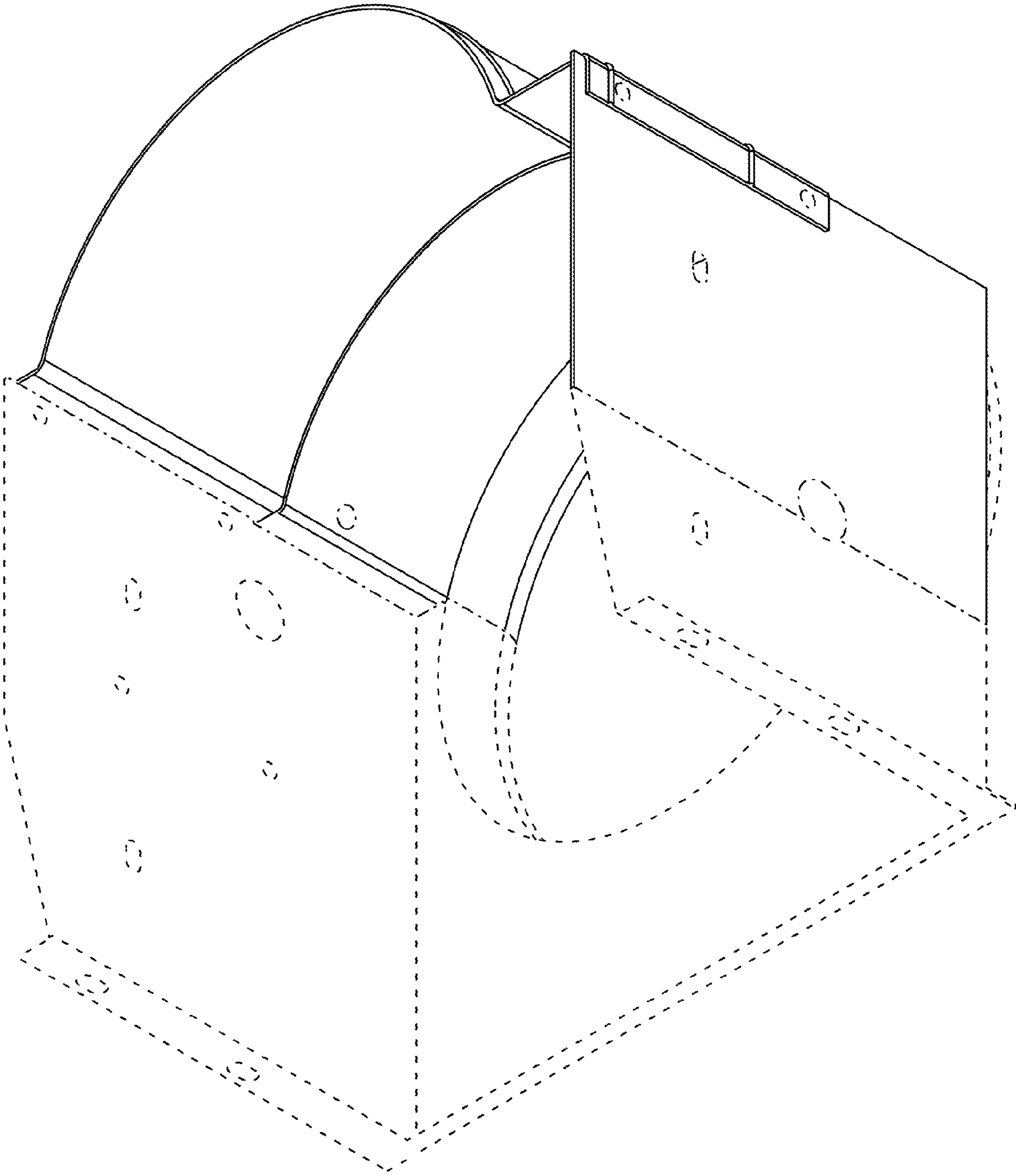


FIG. 3

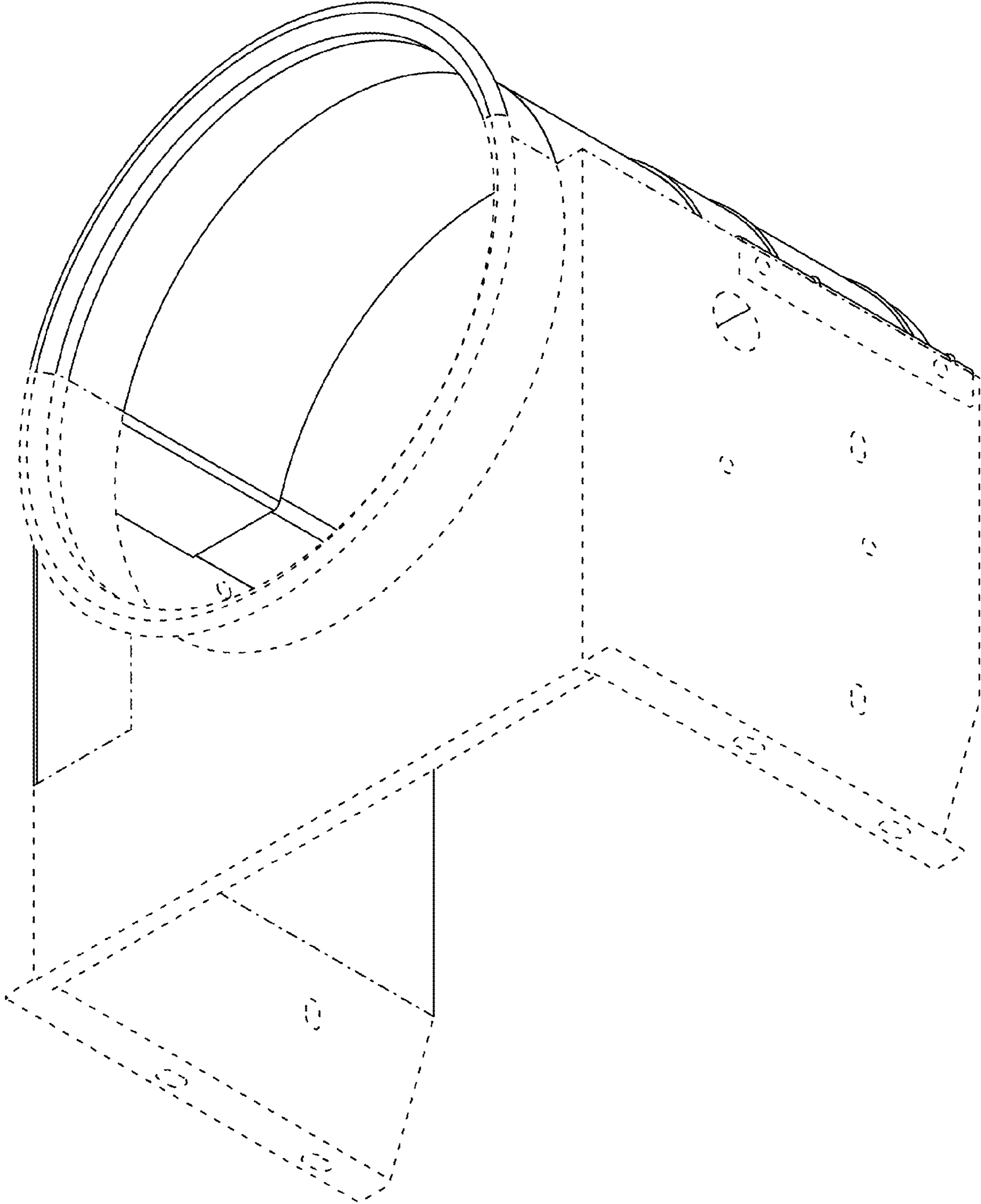


FIG. 4

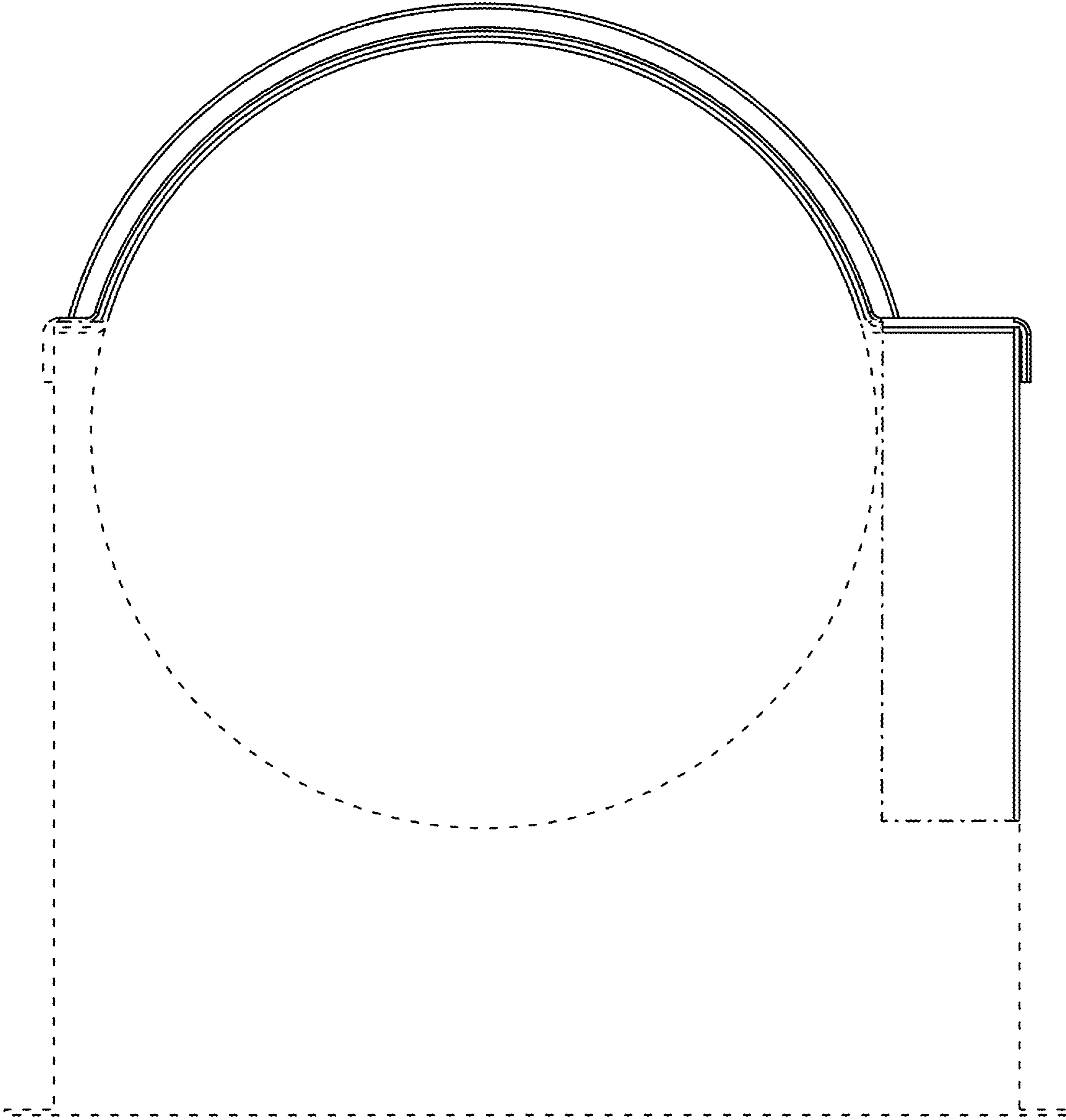


FIG. 5

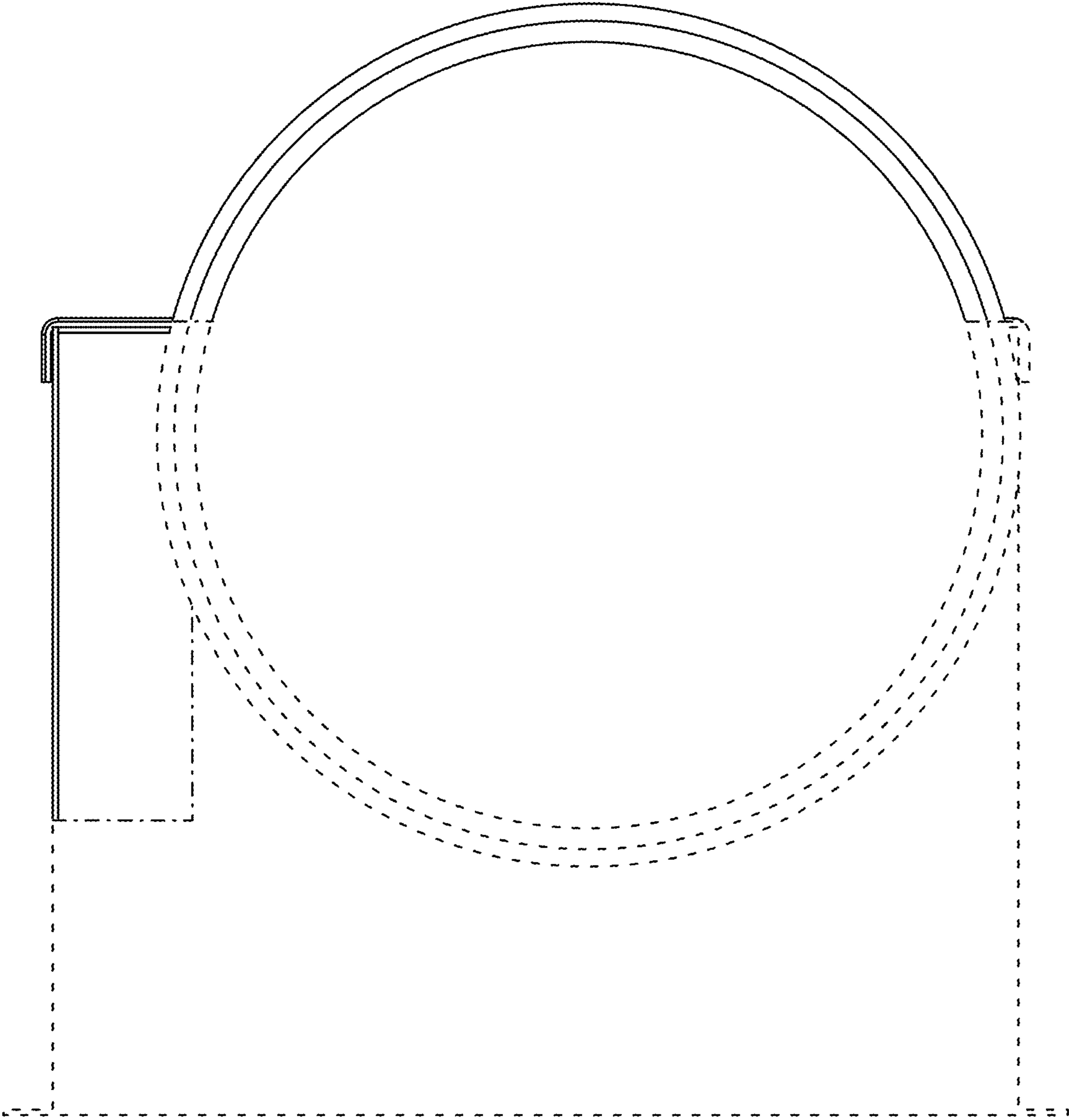


FIG. 6

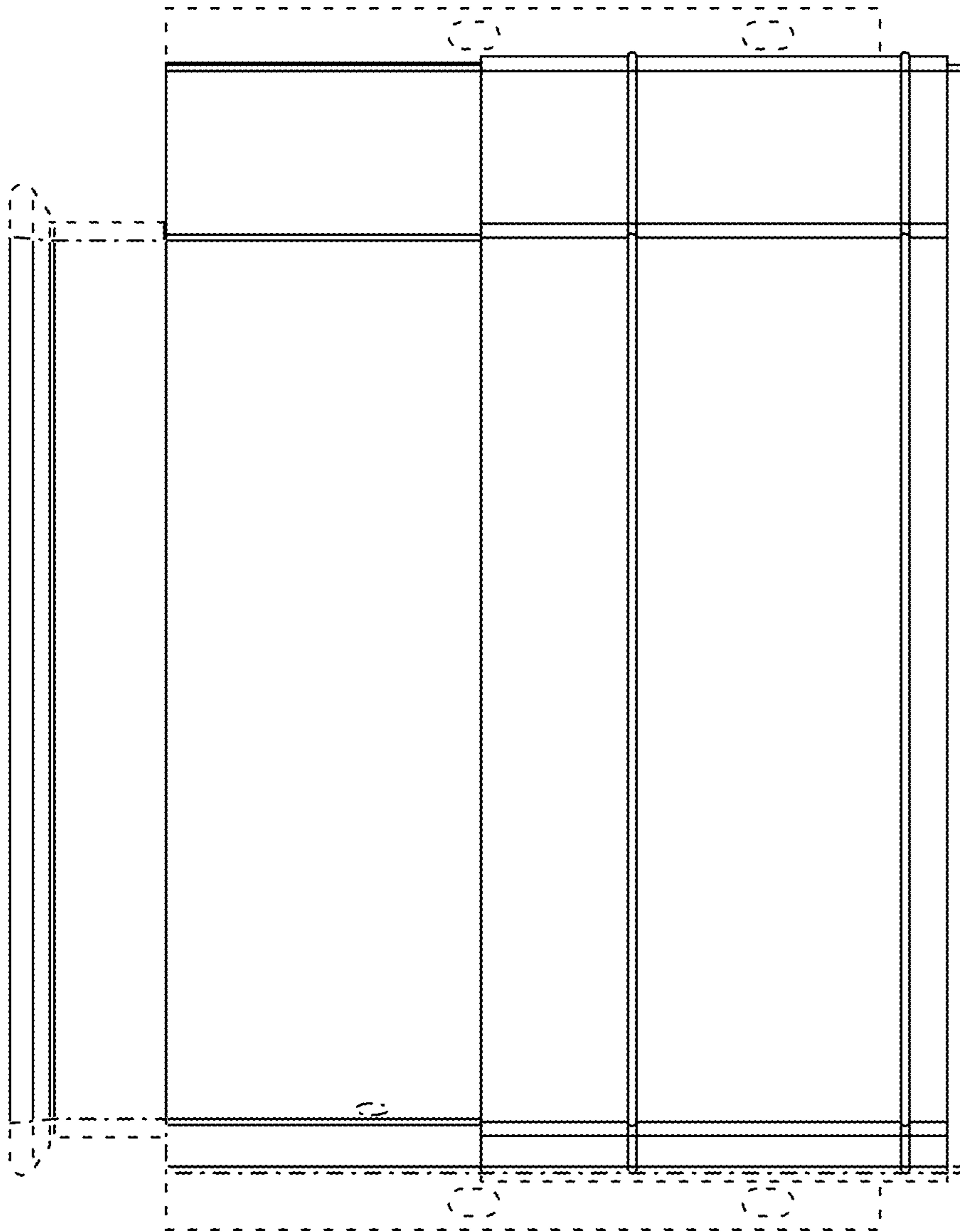


FIG. 7

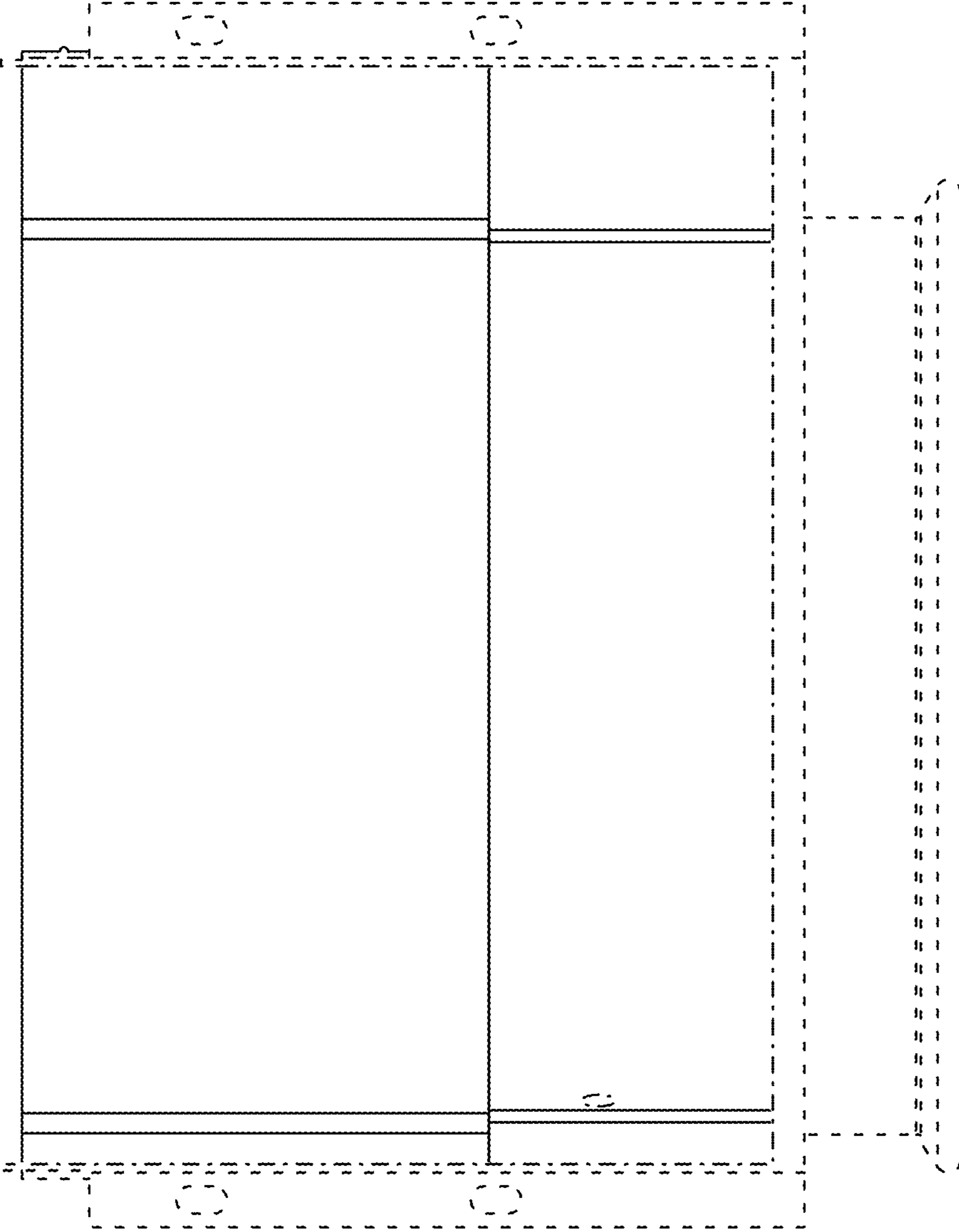


FIG. 8

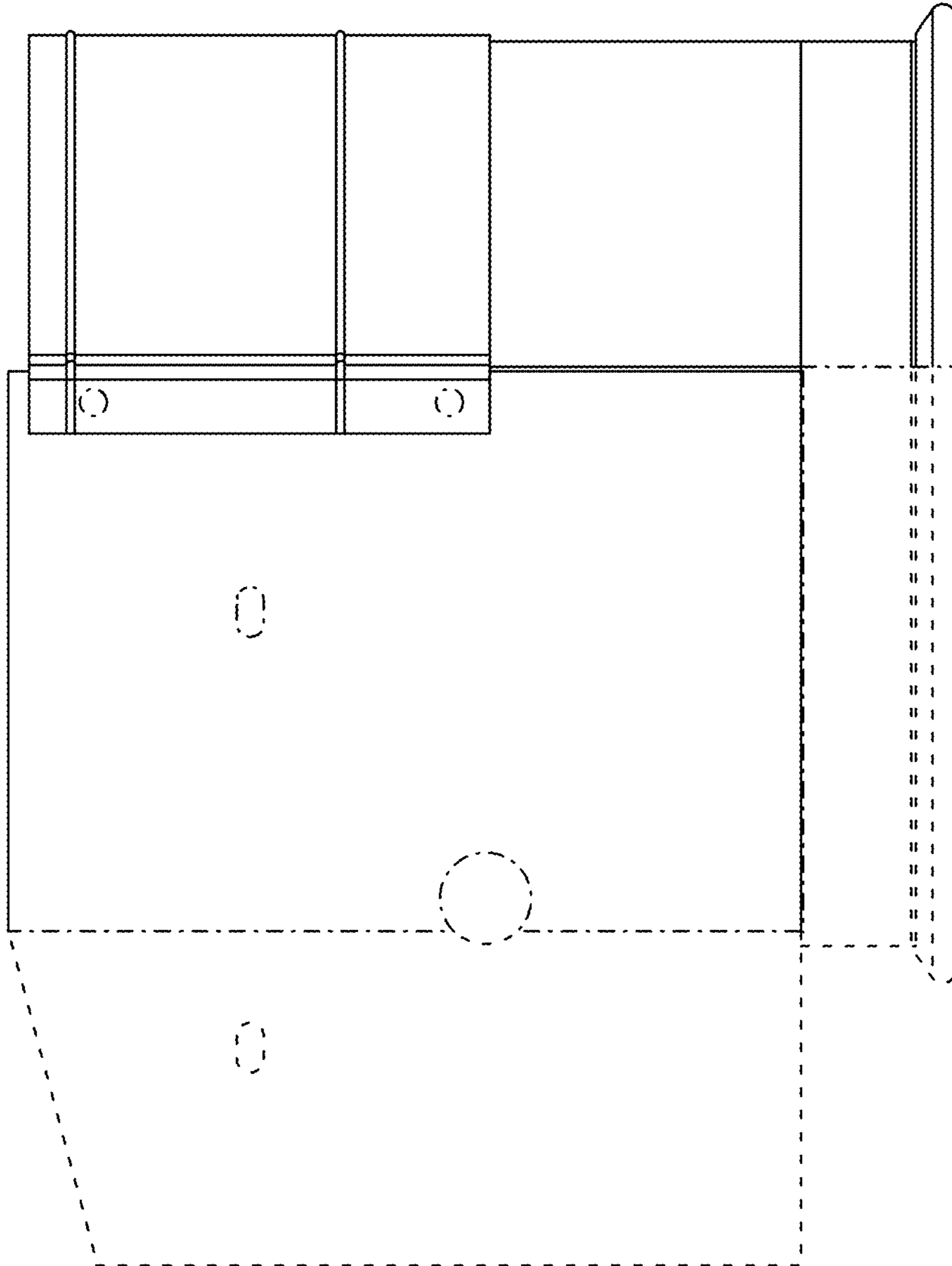


FIG. 9

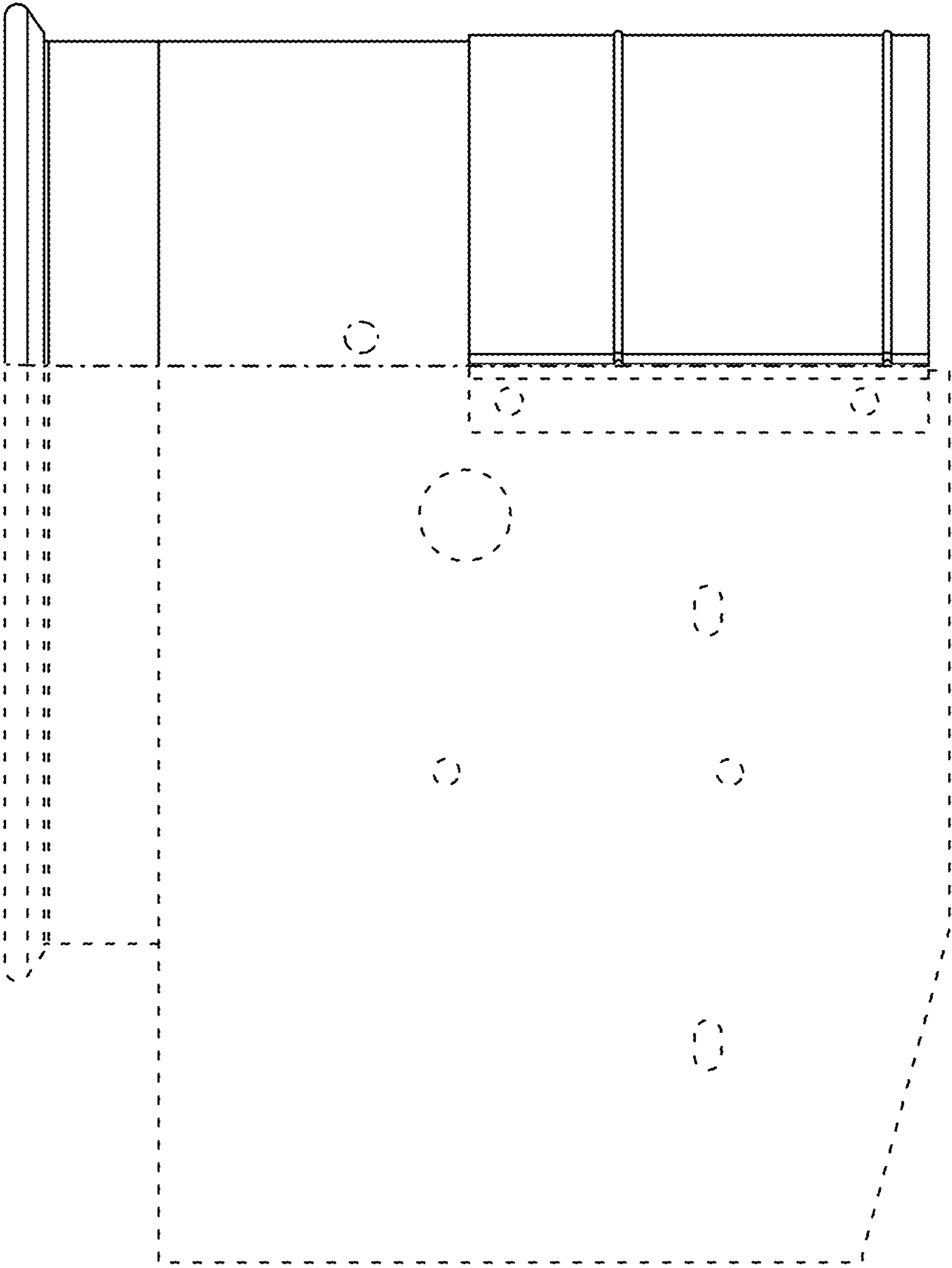


FIG. 10

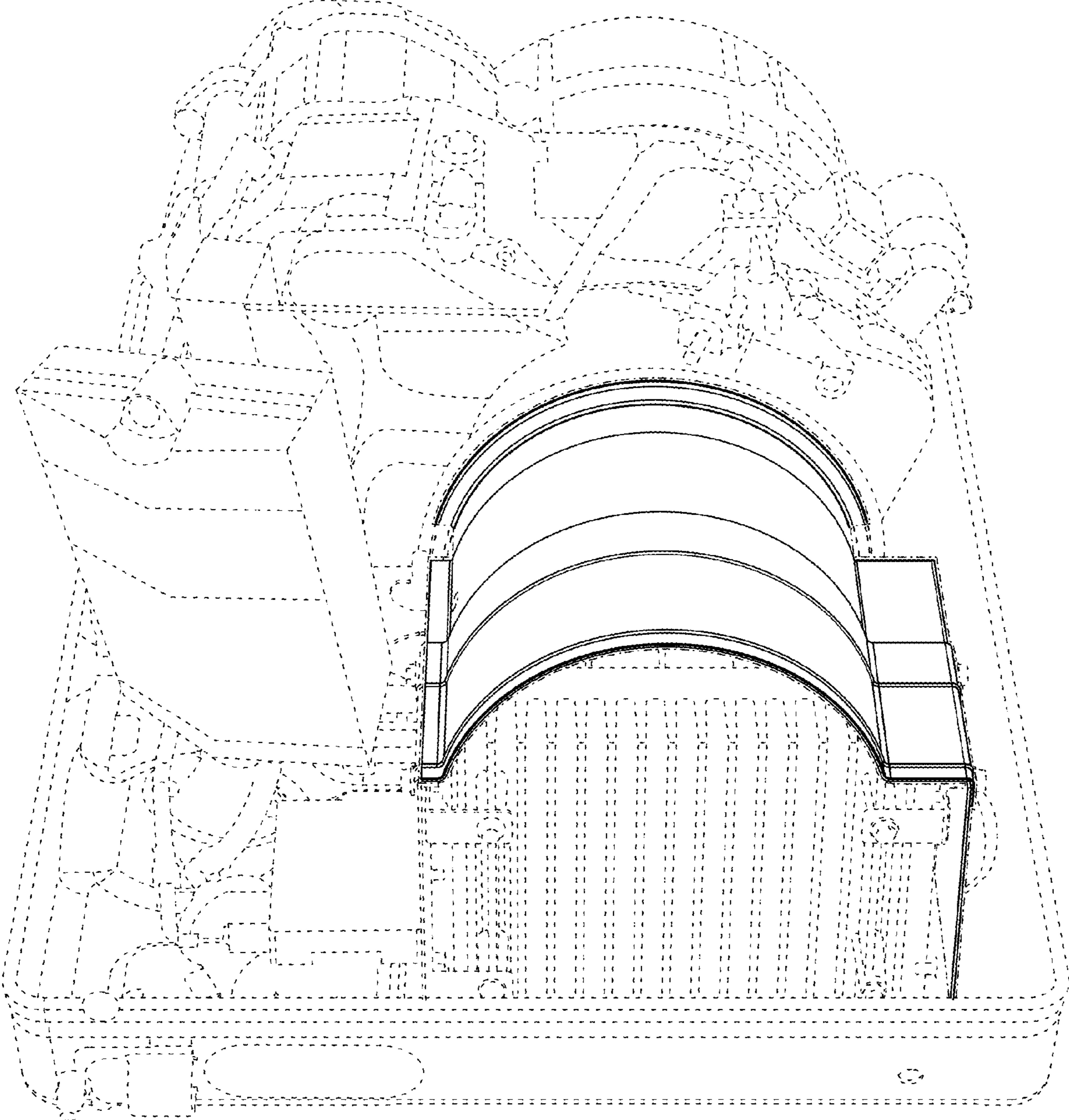


FIG. 11