



US00D895099S

(12) **United States Design Patent** (10) **Patent No.:** **US D895,099 S**  
**Nielson et al.** (45) **Date of Patent:** **\*\* Sep. 1, 2020**

(54) **AIR DUCT**

FOREIGN PATENT DOCUMENTS

(71) Applicant: **N.P.S. Company, LLC**, Hurricane, UT (US)

KR 300233253.0000 \* 12/1997

(72) Inventors: **Scott T. Nielson**, St. George, UT (US);  
**Michael O. Nielson**, Hurricane, UT (US); **Junjie Dai**, Shanghai (CN);  
**Jinbao Chen**, Yangzhou (CN)

OTHER PUBLICATIONS

Heating Indicator Electric Fan Heate, announced Date unavailable [online], [site visited May 6, 2020]. Available from internet, URL:<<https://www.globalsources.com/gsol/1/Fan-heater/p/sm/1165491844.htm#1165491844>> (Year: 2020).\*

(73) Assignee: **N.P.S. Company, LLC**, Hurricane, UT (US)

(Continued)

(\*\*) Term: **15 Years**

*Primary Examiner* — Barbara Fox

*Assistant Examiner* — Jamaal Rasheed

(74) *Attorney, Agent, or Firm* — Austin Rapp

(21) Appl. No.: **29/673,068**

(57) **CLAIM**

The ornamental design for an air duct, as shown and described.

(22) Filed: **Dec. 11, 2018**

(51) **LOC (12) Cl.** ..... **23-03**

**DESCRIPTION**

(52) **U.S. Cl.**

USPC ..... **D23/393**

(58) **Field of Classification Search**

USPC ..... D23/393, 394, 385, 370-373, 397, 365,  
D23/351, 354, 399-403, 342, 386, 409;  
D12/194, 126; D8/396; D15/7, 148;  
D11/7; 415/207, 214.1, 204; 285/189;  
D17/99; D14/188; D13/122; D21/409  
CPC ..... F04D 29/42; F04D 29/40; F04D 29/60;  
F04D 29/62; F16L 25/00; G10D 7/02;  
B22D 19/00

See application file for complete search history.

FIG. 1 is a first top perspective view of an air duct, according to our new design;  
FIG. 2 is a bottom perspective view of the air duct;  
FIG. 3 is a second top perspective view of the air duct;  
FIG. 4 is a right side elevational view of the air duct;  
FIG. 5 is a left side elevational view of the air duct;  
FIG. 6 is a top side view of the air duct;  
FIG. 7 is a bottom side view of the air duct;  
FIG. 8 is a front side elevational view of the air duct;  
FIG. 9 is a rear side elevational view of the air duct; and,  
FIG. 10 is a third top perspective view of the air duct positioned in an unclaimed generator for a recreational vehicle.

The portions of the figures shown in broken lines (either in dash-dash broken line format or in dot-dash broken line format) form no part of the claimed design. The portions shown in dash-dash broken line format comprise unclaimed environmental structure. The lines shown in dot-dash broken line format identify boundaries between unclaimed and claimed region(s).

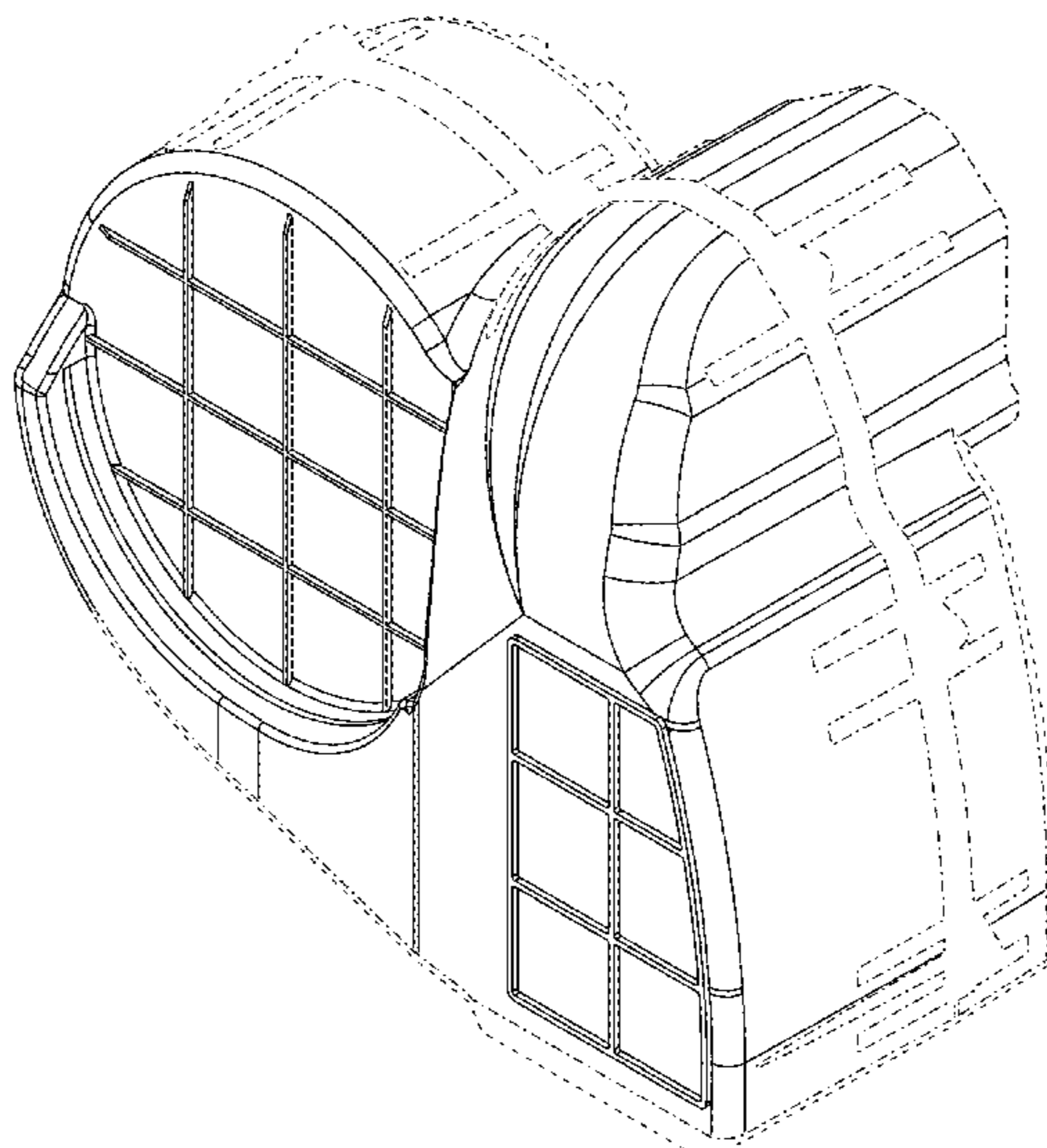
(56) **References Cited**

U.S. PATENT DOCUMENTS

2,005,408 A \* 6/1935 Allin ..... B22D 19/00  
415/121.2  
D255,370 S \* 6/1980 Hayama ..... D17/1  
4,653,442 A 3/1987 Swenson  
D295,621 S 5/1988 Lent  
D303,785 S 10/1989 Waltz

(Continued)

**1 Claim, 10 Drawing Sheets**



(56)

References Cited

U.S. PATENT DOCUMENTS

D309,288 S 7/1990 Haverly  
5,240,222 A 8/1993 Seeley  
D342,274 S \* 12/1993 Ohki ..... D17/1  
D349,079 S \* 7/1994 Matthies ..... D12/126  
5,368,000 A 11/1994 Koziara  
5,495,907 A 3/1996 Data  
6,919,518 B2 7/2005 Rademacher  
D536,780 S \* 2/2007 Lerche ..... D23/393  
7,573,145 B2 8/2009 Peterson  
D620,436 S \* 7/2010 Pan ..... D13/122  
7,999,405 B2 8/2011 Peterson  
D669,571 S \* 10/2012 Penlesky ..... D23/393  
8,809,661 B2 \* 8/2014 Seno ..... G10G 7/02  
84/453  
D720,065 S \* 12/2014 Abate ..... D23/386  
D722,586 S \* 2/2015 Kimura ..... D14/188  
D764,651 S \* 8/2016 Zakula ..... D23/386

D796,662 S \* 9/2017 Harman ..... D23/393  
D804,624 S \* 12/2017 Dent ..... D23/342  
D815,722 S \* 4/2018 Muller ..... D23/370  
D873,908 S \* 1/2020 Uesugi ..... D17/99  
2002/0044422 A1 4/2002 Bailey

OTHER PUBLICATIONS

Cummins Onan, RV Gasoline Generators, publication [online] [retrieved on Jun. 14, 2013] apparently published on or before Feb. 7, 2012, retrieved from the Internet: <URL: web.archive.org/web/20120207232315/http://www.cumminsonan.com/rv/products/gasoline>(shown in attachment 1).

Cummins Onan, RV QG 4000 EVAP shown in attachment 2 was sold or offered for sale at least by Jan. 1, 2014.

Onan, MicroQuiet 4000 shown in attachment 3 was sold or offered for sale at least by Mar. 14, 2012.

\* cited by examiner

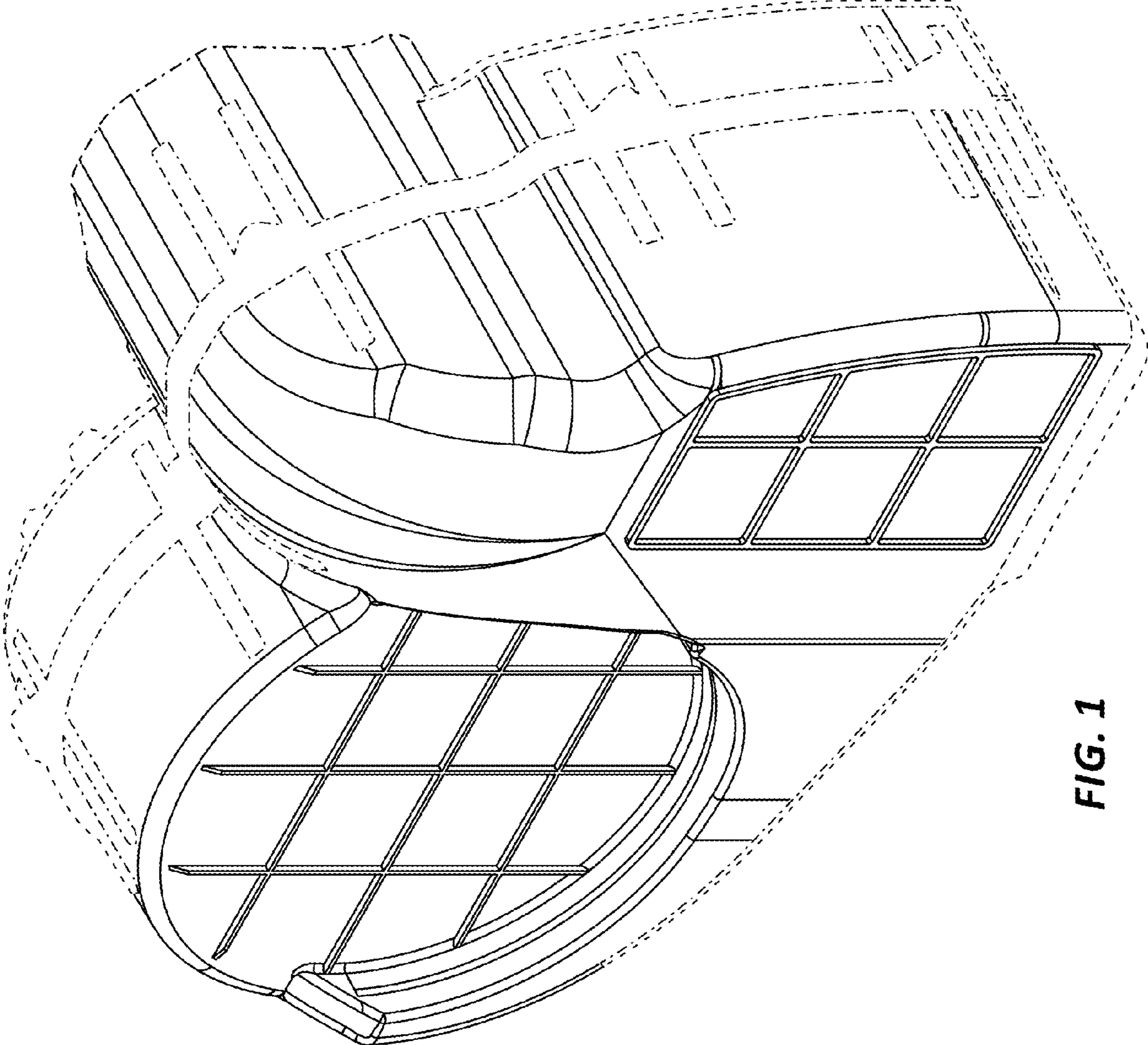


FIG. 1

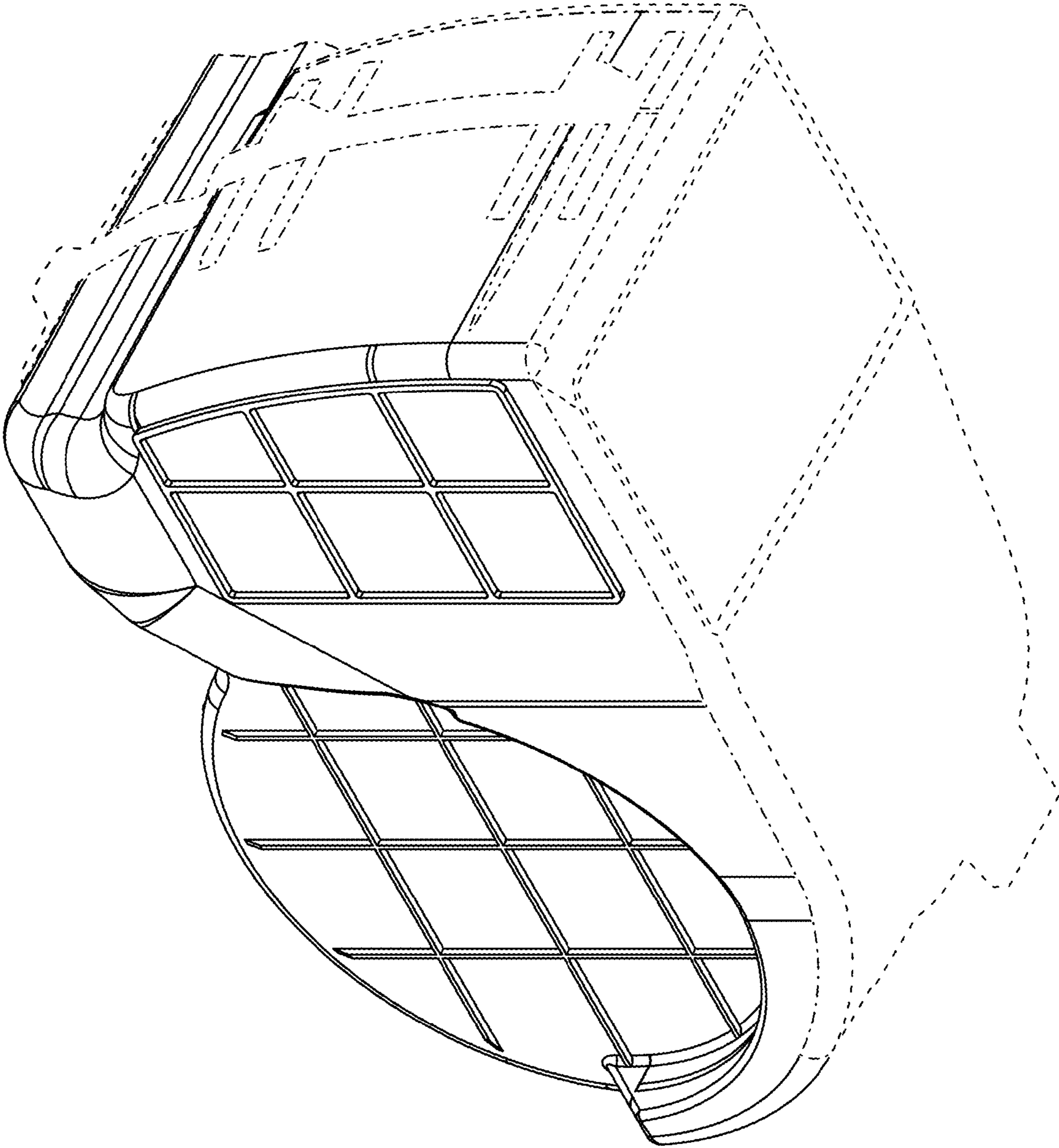
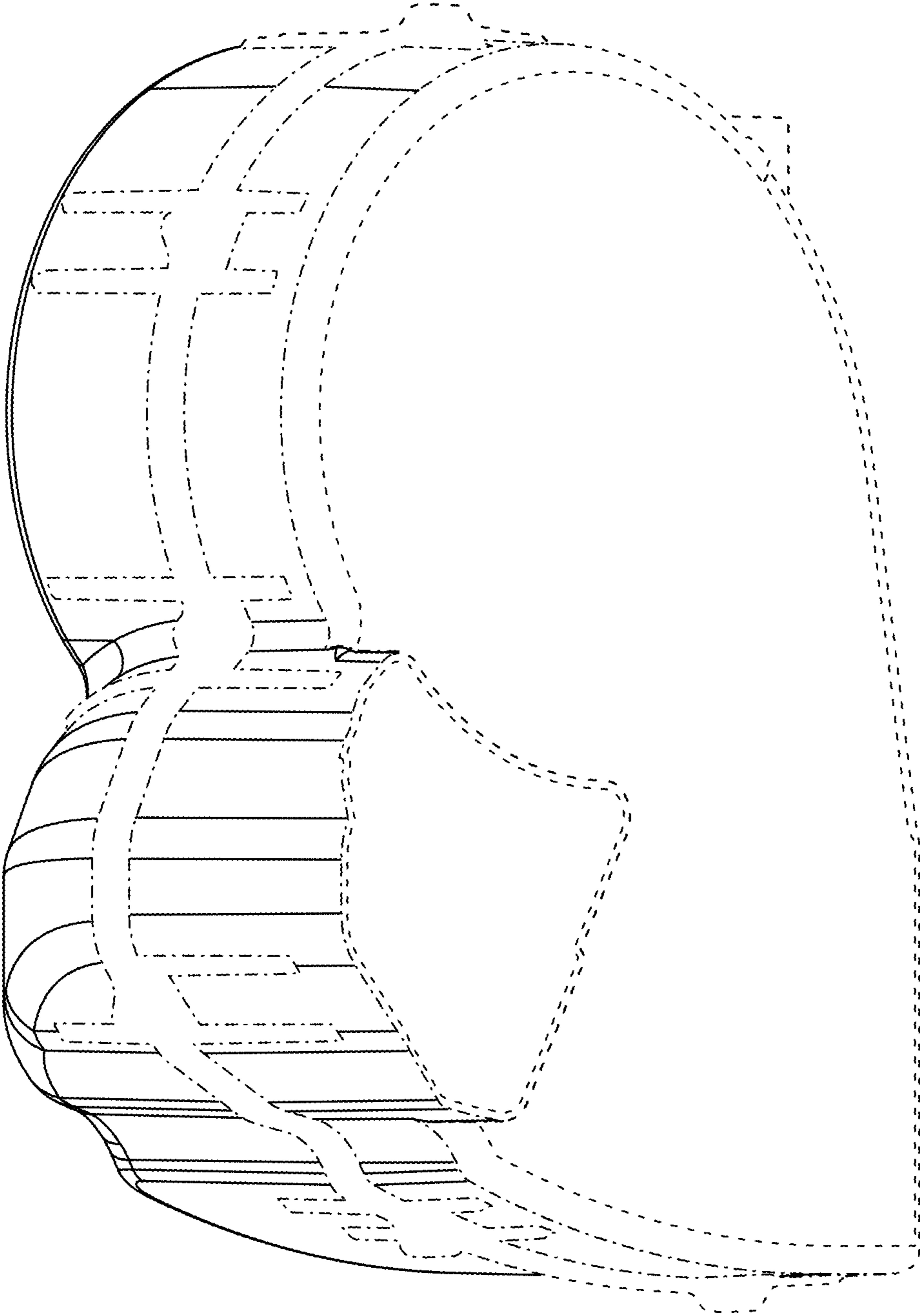
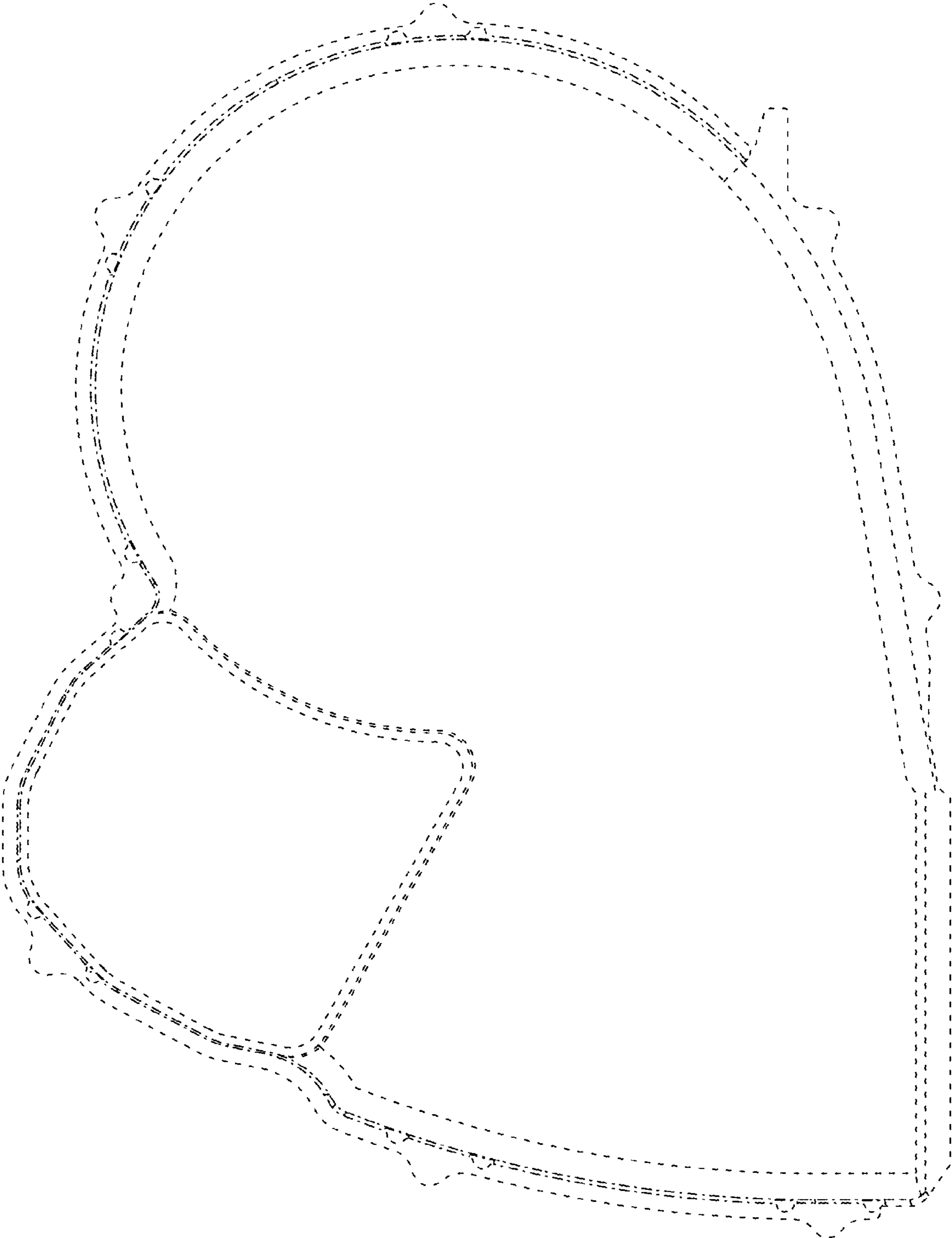


FIG. 2



**FIG. 3**



**FIG. 4**

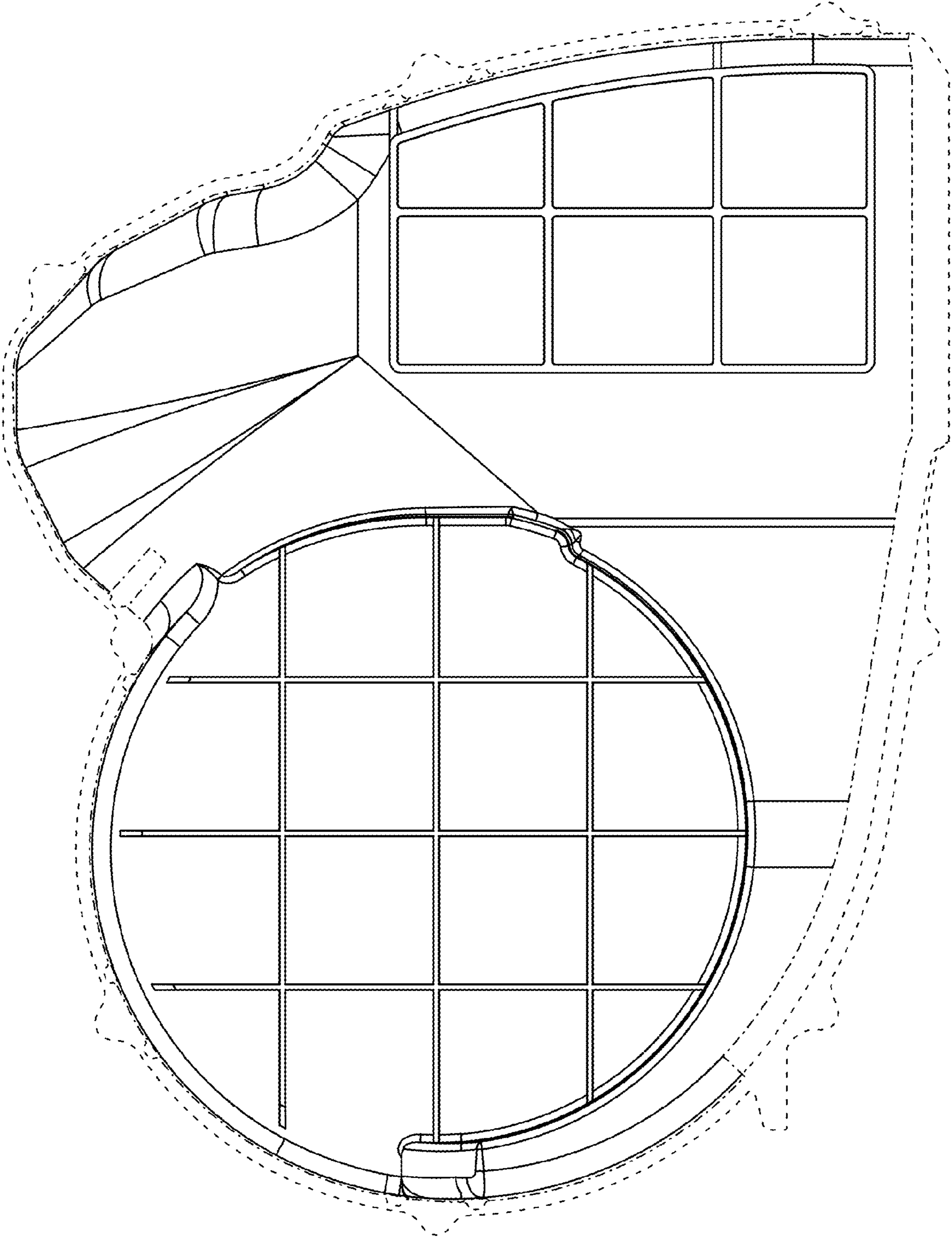


FIG. 5

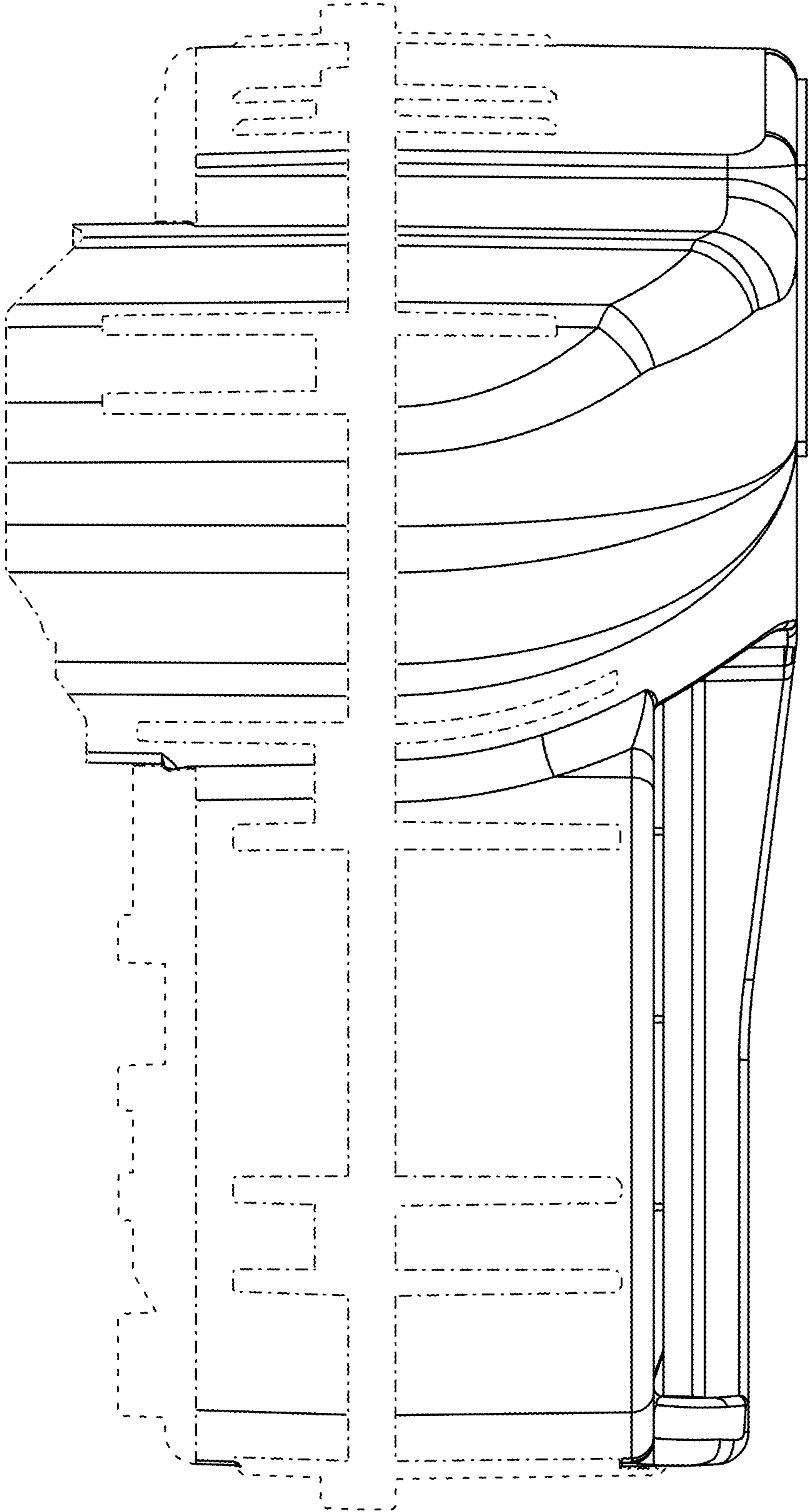
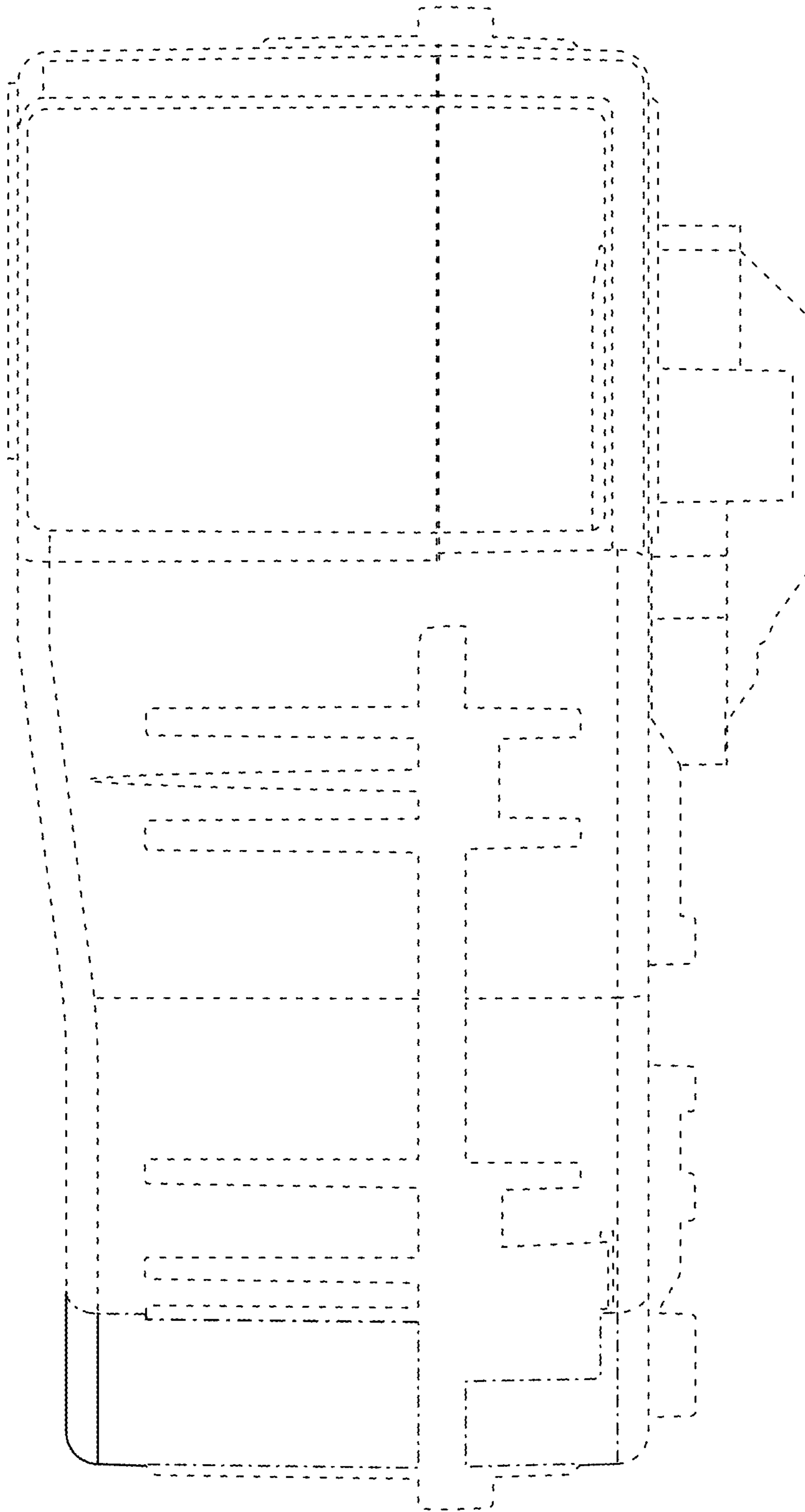
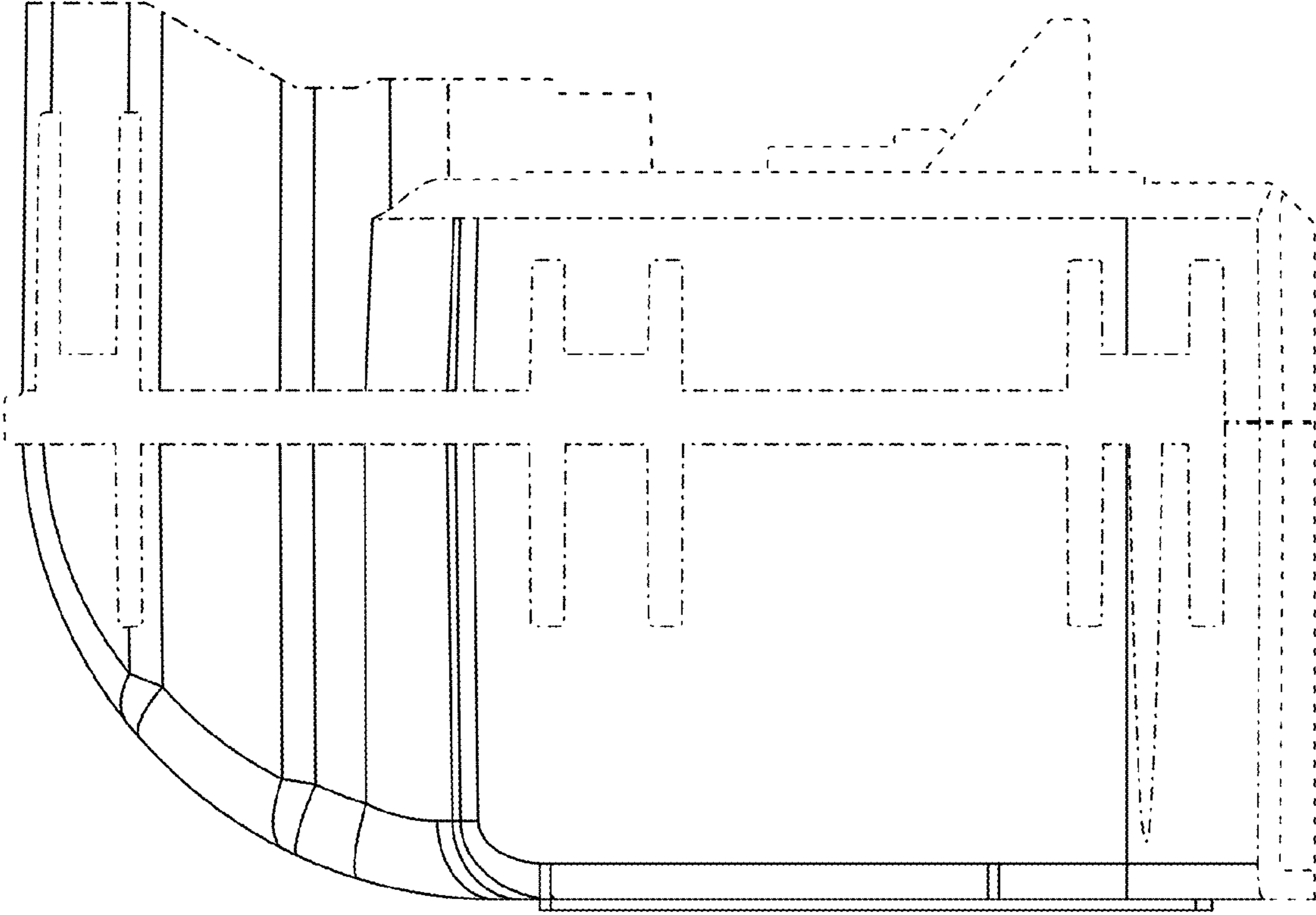


FIG. 6

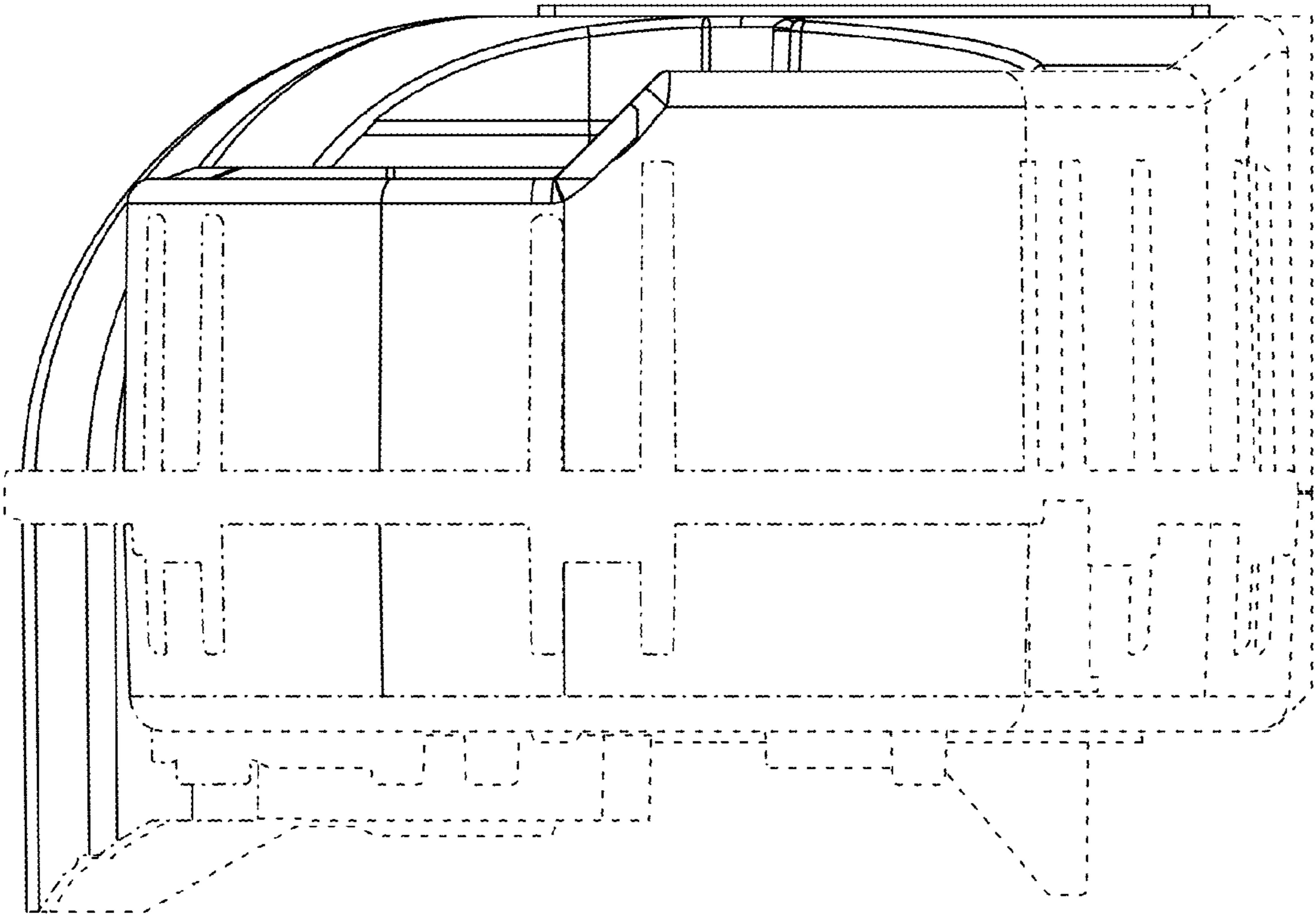




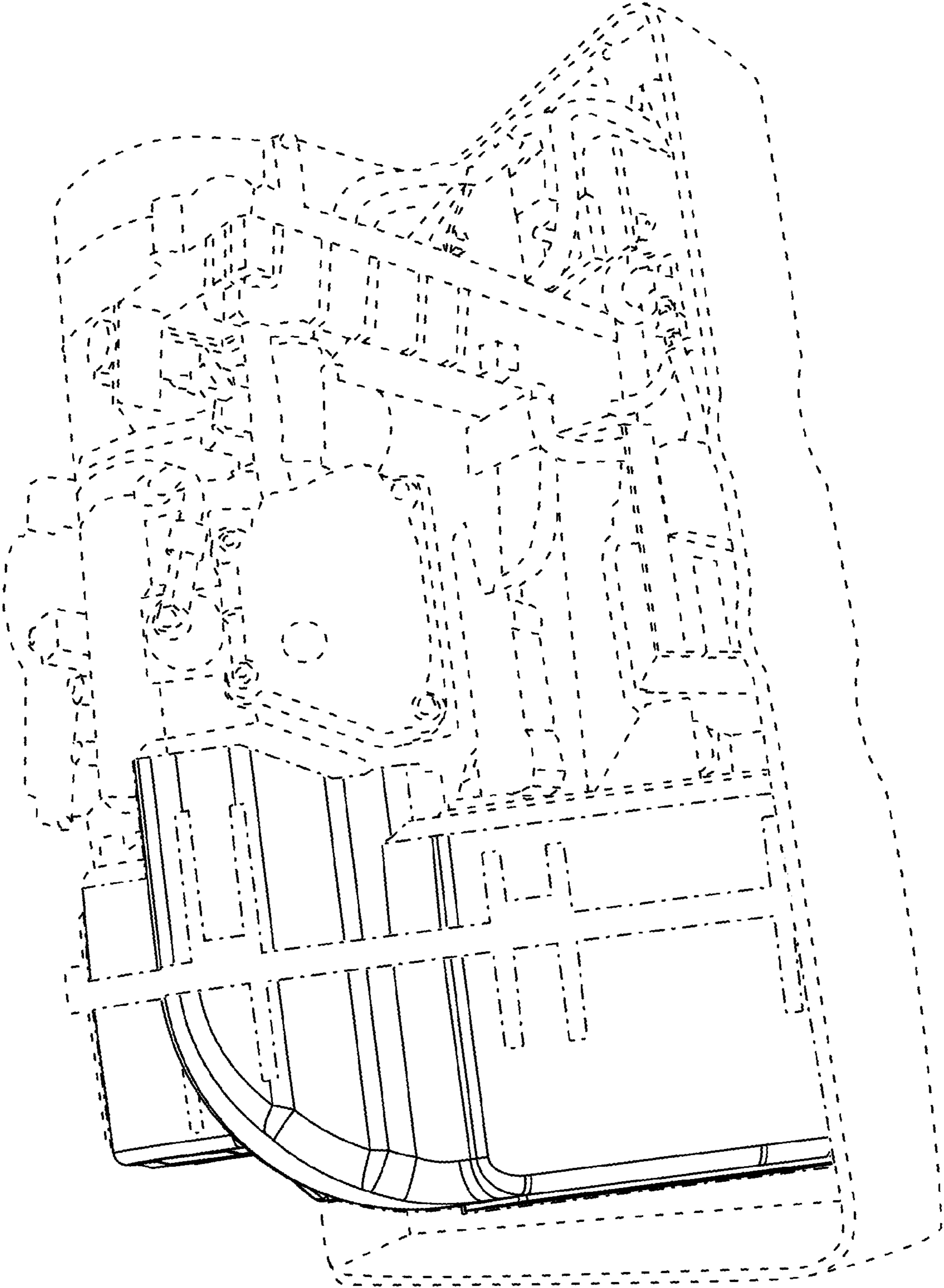
**FIG. 7**



**FIG. 8**



**FIG. 9**



**FIG. 10**