

US00D895098S

(12) **United States Design Patent** (10) **Patent No.:** **US D895,098 S**
Haggar et al. (45) **Date of Patent:** **** *Sep. 1, 2020**

- (54) **CEILING FAN**
- (71) Applicant: **HUNTER FAN COMPANY**,
Memphis, TN (US)
- (72) Inventors: **Alexander Jonathan Haggar**,
Memphis, TN (US); **Christophe**
Badarello, Holly Springs, TN (US)
- (73) Assignee: **Hunter Fan Company**, Memphis, TN
(US)
- (*) Notice: This patent is subject to a terminal dis-
claimer.
- (**) Term: **15 Years**
- (21) Appl. No.: **29/703,407**
- (22) Filed: **Aug. 27, 2019**

Related U.S. Application Data

- (60) Continuation of application No. 29/621,744, filed on
Oct. 11, 2017, now Pat. No. Des. 875,919, which is a
division of application No. 29/581,188, filed on Oct.
17, 2016, now Pat. No. Des. 807,491.
- (51) **LOC (12) Cl.** **23-04**
- (52) **U.S. Cl.**
USPC **D23/377**
- (58) **Field of Classification Search**
USPC ... D26/59, 24, 118, 119, 121-124, 128-137;
D23/370, 377-382, 411-414
CPC F04D 25/088; F04D 29/38; F21V 21/03;
B63H 1/16
See application file for complete search history.

(56) **References Cited**

U.S. PATENT DOCUMENTS

- D304,229 S 10/1989 Rezek
- D319,842 S 9/1991 Tanda
- D342,311 S 12/1993 Rezek

- D346,439 S 4/1994 Liu
- D346,858 S 5/1994 Lee
- D386,257 S 11/1997 Liu
- D421,797 S 3/2000 Collmar
- D445,887 S 7/2001 Campbell
- D449,682 S 10/2001 Gajewski
- D453,563 S 2/2002 Bogazzi
- D462,756 S 9/2002 Liu
- D476,411 S 6/2003 Friedes
- D477,068 S 7/2003 Hsieh
- D477,396 S 7/2003 Campbell
- D478,974 S 8/2003 Hidalgo
- D492,762 S 7/2004 Young
- D519,624 S 4/2006 Chen
- D519,625 S * 4/2006 Young D23/377

(Continued)

OTHER PUBLICATIONS

<https://www.amazon.com/Minka-Aire-F824-ORB-TB-Oil-Rubbed-Ceiling/dp/B002ZXG6DU?th=1>, Item Specification for Minka-Aire F824-BK/CH, Uchiwa, 56" Ceiling Fan with Light, accessed on Oct. 12, 2016.

(Continued)

Primary Examiner — Janice Hallmark
(74) *Attorney, Agent, or Firm* — McGarry Bair PC

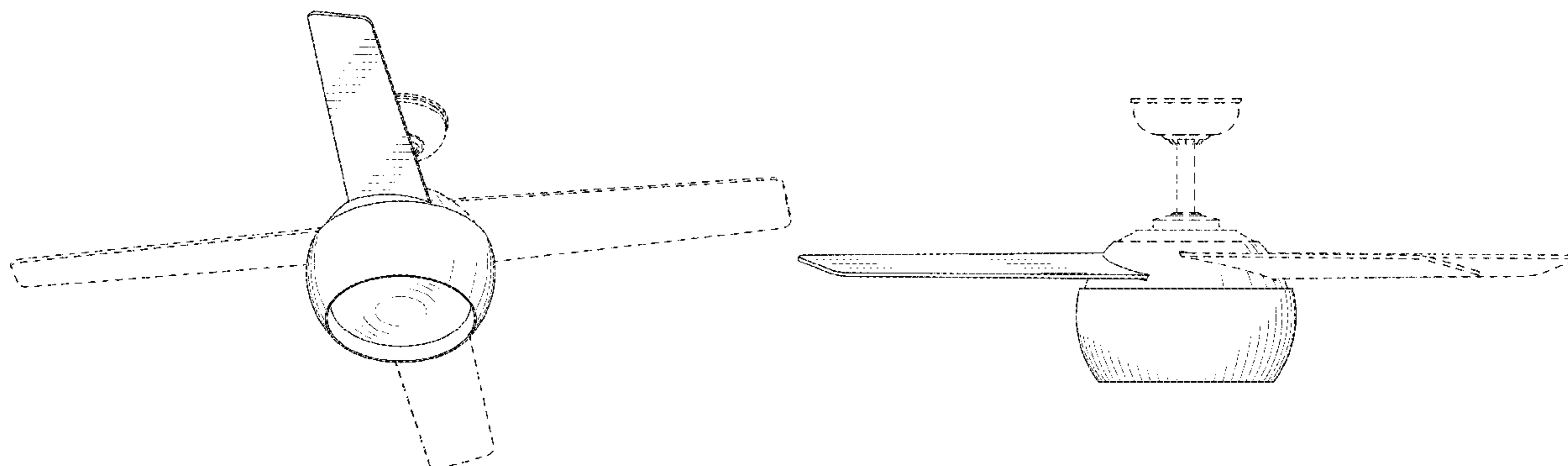
(57) **CLAIM**

The ornamental design for a ceiling fan, as shown and described.

DESCRIPTION

FIG. 1 is a top perspective view of a ceiling fan, showing my new design;
FIG. 2 is a bottom perspective view thereof;
FIG. 3 is a top view thereof;
FIG. 4 is a bottom view thereof; and,
FIG. 5 is a side view thereof.
Portions of the ceiling fan are shown in broken lines. Portions shown in broken lines form no part of the claimed design.

1 Claim, 4 Drawing Sheets



(56)

References Cited

OTHER PUBLICATIONS

U.S. PATENT DOCUMENTS

D523,138 S	6/2006	Burns	
D525,699 S	7/2006	Davenport et al.	
D535,014 S	1/2007	Pickett	
D549,814 S	8/2007	Gajewski	
D556,940 S	12/2007	Gajewski	
D572,814 S *	7/2008	Bucher	D23/377
D572,817 S	7/2008	Kuwano et al.	
D598,999 S	8/2009	Hidalgo	
D599,003 S	8/2009	Hidalgo	
D618,786 S	6/2010	Hidalgo	
D663,455 S	7/2012	Glasbrenner	
D708,314 S	7/2014	Pan	
D743,523 S	11/2015	Ertze	
D744,629 S	12/2015	Wang	
D745,655 S	12/2015	Pickett	
D785,156 S	4/2017	Wang	
D807,491 S *	1/2018	Haggar	D23/377
D828,535 S *	9/2018	Searle	D23/377
D833,596 S *	11/2018	Schulzman	D23/377
D850,604 S *	6/2019	Gajewski	D23/377
2016/0319842 A1	11/2016	Botkin	

<http://www.kichler.com/products/product/52-inch-makoda-fan-obb-300137obb.aspx>, Item Specification for Kichler Makoda 52 Inch Makoda Fan OBB 300137OBB (Oil Brushed Bronze), accessed on Oct. 12, 2016.

<http://www.montecarlofans.com/44077/56in-Skylon---Satin-Nickel-3SKYR56SND.html>, Item Specification for Monte Carlo Skylon Collection Product #: 3SKYR56SND, accessed on Oct. 12, 2016.

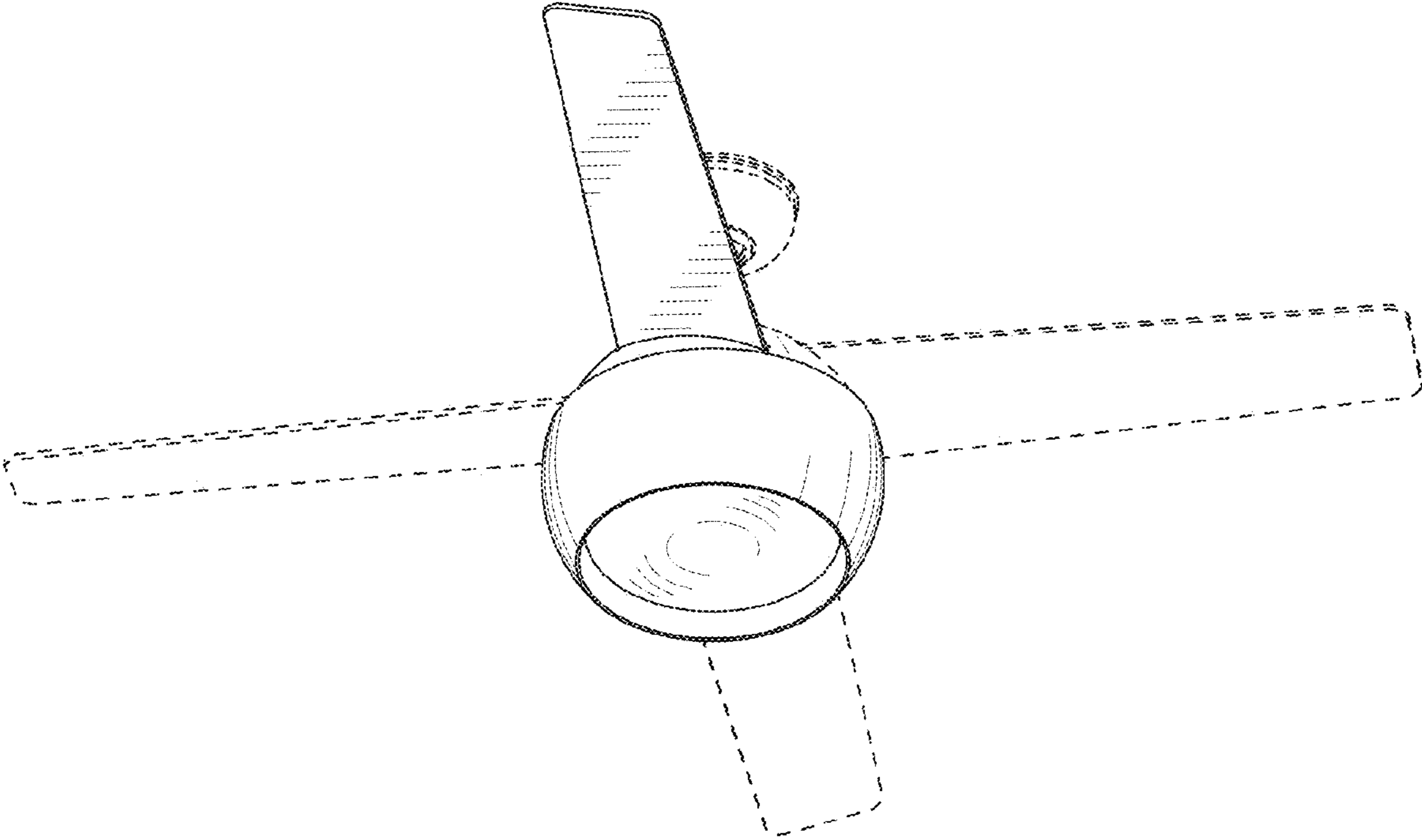
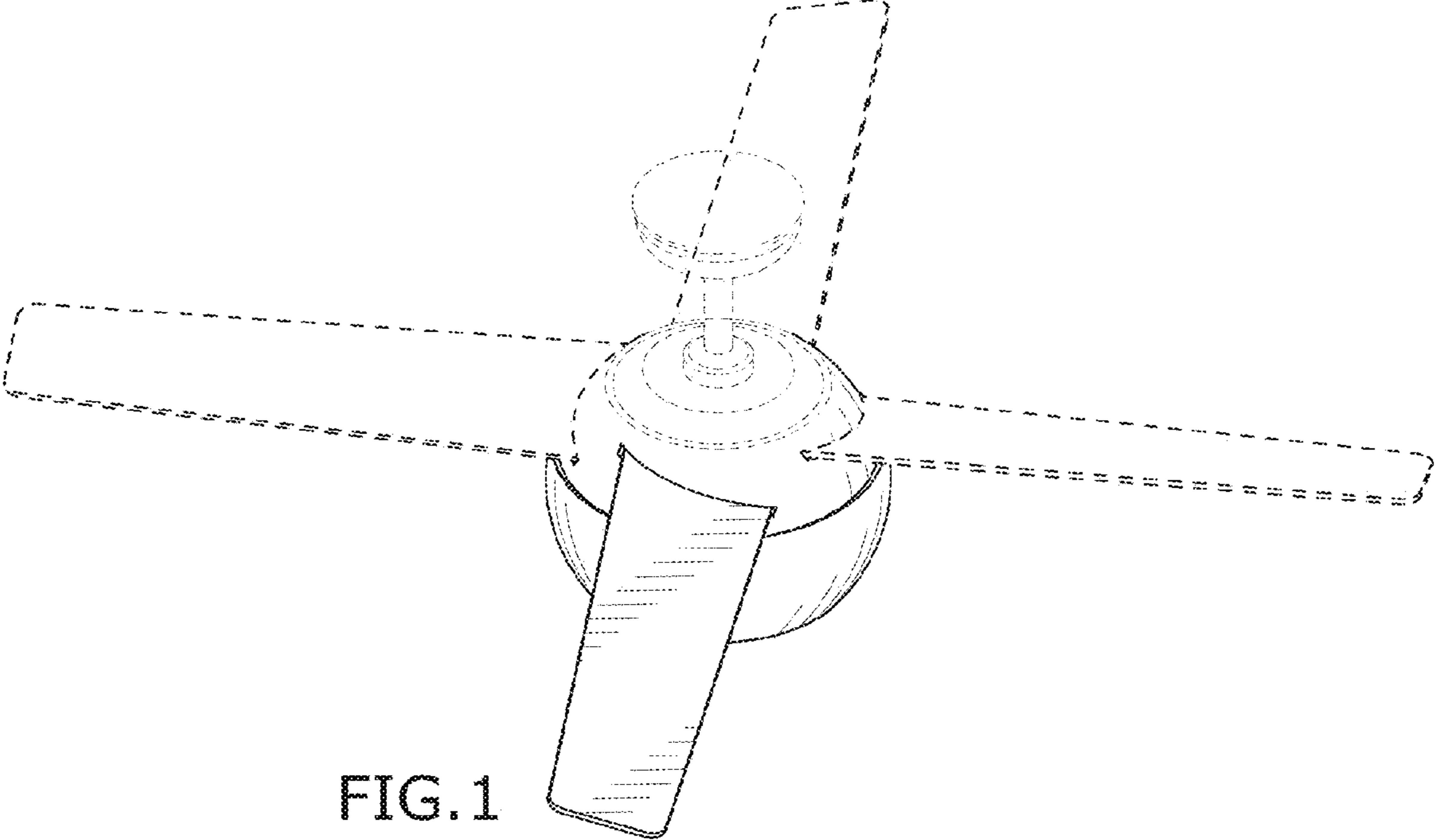
<http://www.montecarlofans.com/38110/52-Nikki---Polished-Nickel-5NKR52PND.html>, Item Specification for Monte Carlo Nikki Collection Product #: 5NKR52PND, accessed on Oct. 12, 2016.

<http://www.homedepot.com/p/Hampton-Bay-Wollaston-52-in-LED-Indoor-Polished-Nickel-Ceiling-Fan-YG338-PN/206641622>, Item Specification for Hampton Bay Wollaston 52 in. LED Indoor Polished Nickel Ceiling Fan, accessed on Oct. 12, 2016.

<https://www.creoven.eu/en/ceiling-fan/with-lighting/120-139-cm/leds-c4-design-ceiling-fan-mauritius-132-cm-52-with-included-lighting/a-300009/>, Item No. 30-0009-N3-B8, LEDS-C4 Design Ceiling Fan Mauritius 132 cm / 52" with lighting, accessed on Oct. 11, 2017.

<https://usa.flos.com/modern-floor-lamps/arco/>, Arco Floor Lamp 1960's Series by Achille Castiglioni, accessed Oct. 11, 2017.

* cited by examiner



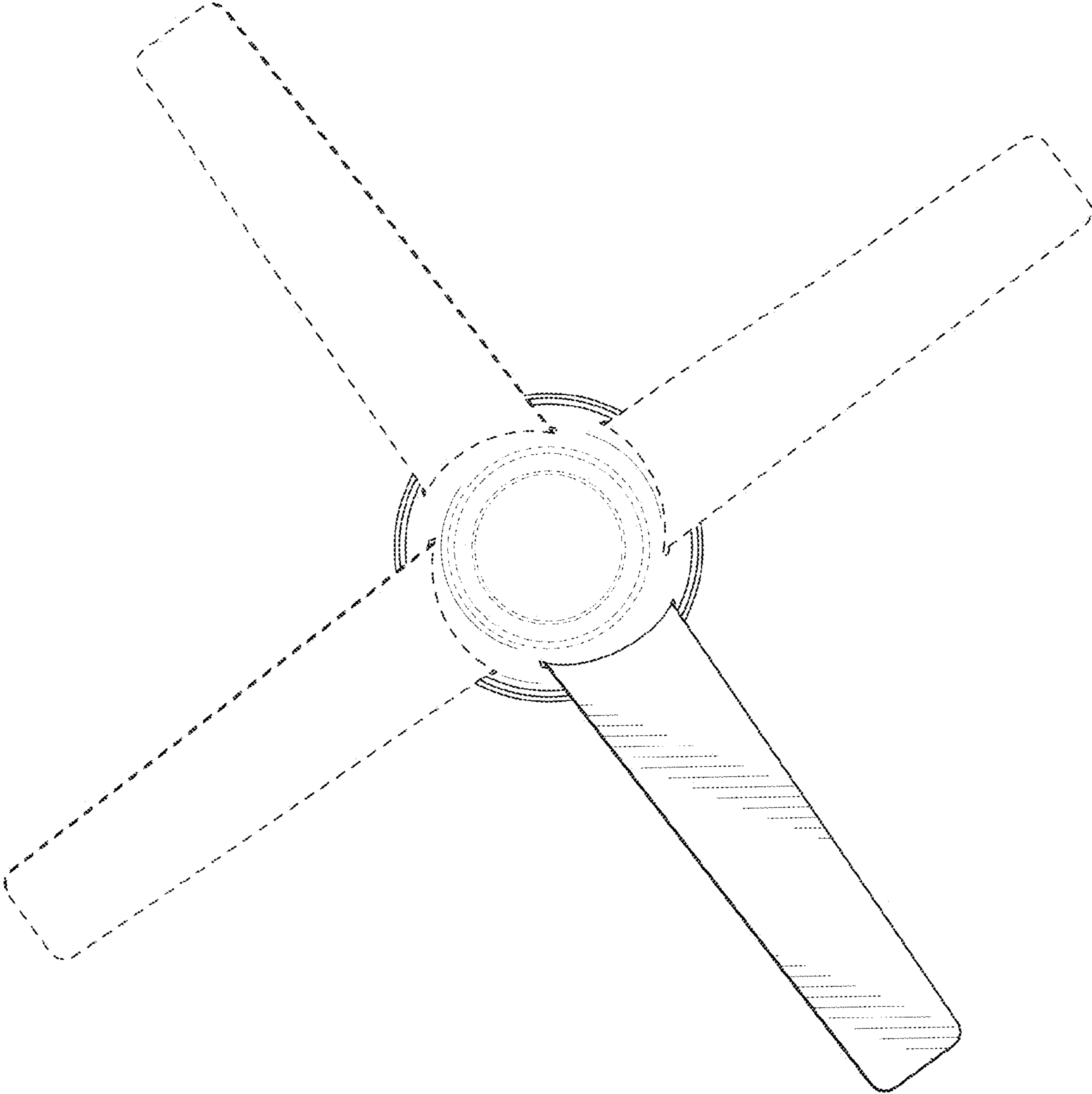


FIG. 3

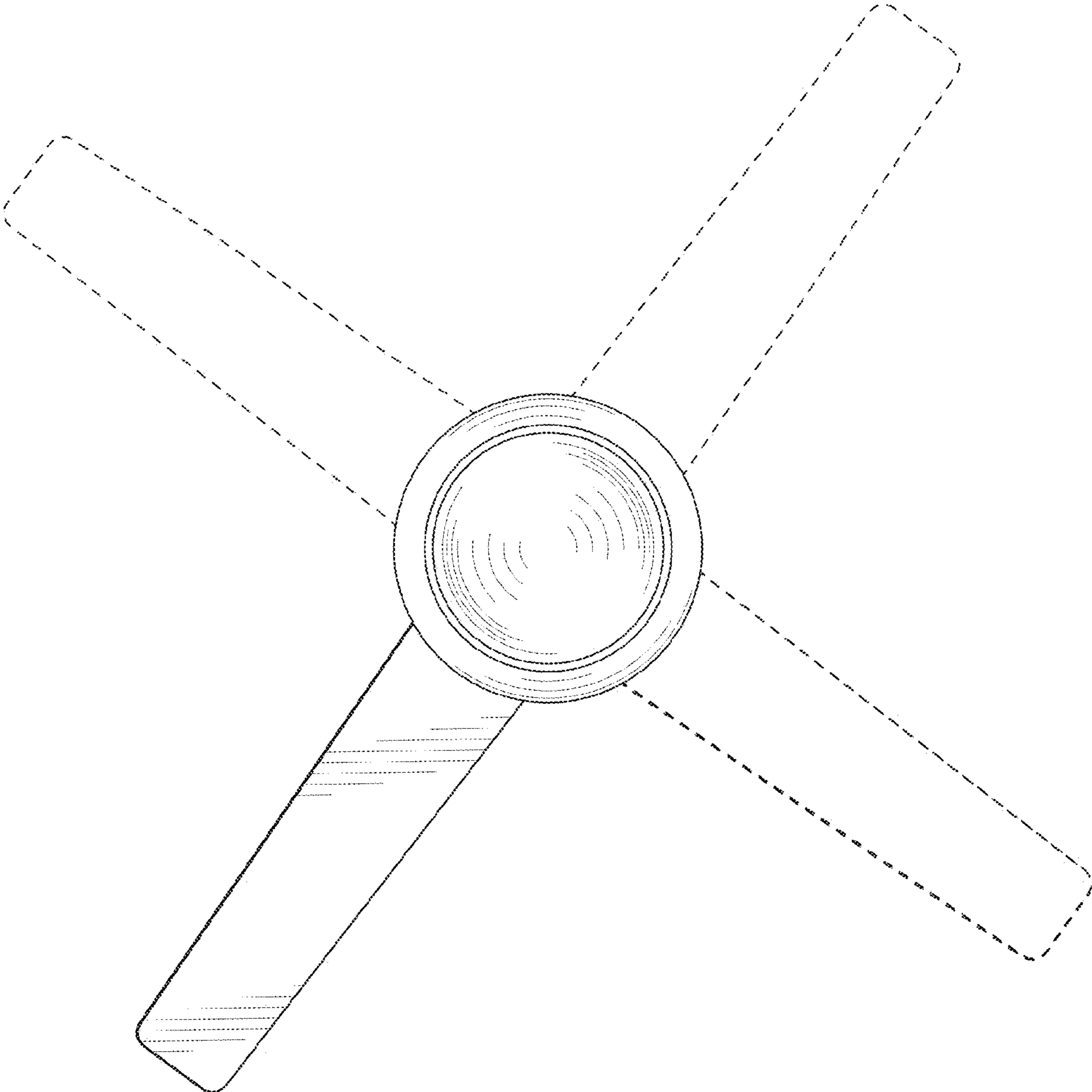


FIG.4

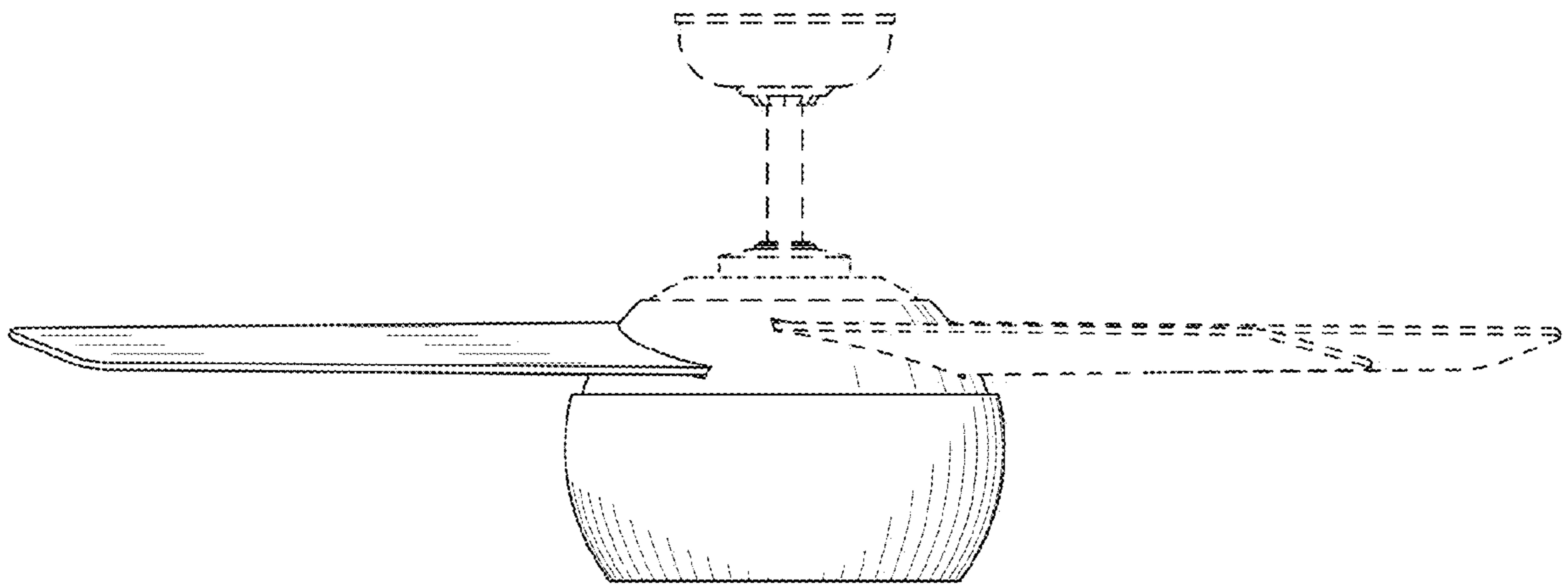


FIG. 5