



US00D895097S

(12) **United States Design Patent**
Wang

(10) **Patent No.:** **US D895,097 S**

(45) **Date of Patent:** **** Sep. 1, 2020**

(54) **CEILING FIXTURE**

(71) Applicant: **Eileen Grays LLC**, Chapel Hill, NC (US)

(72) Inventor: **Wei Wang**, Chapel Hill, NC (US)

(73) Assignee: **Eileen Grays LLC**, Chapel Hill, NC (US)

(**) Term: **15 Years**

(21) Appl. No.: **29/649,062**

(22) Filed: **May 25, 2018**

(51) **LOC (12) Cl.** **23-04**

(52) **U.S. Cl.**
USPC **D23/377**; D23/381

(58) **Field of Classification Search**
USPC D23/370–385, 411–414; D26/59, 85, 86, D26/89, 90
CPC F04D 25/088; F04D 29/38; F04D 29/384; F04D 29/386; F21V 33/0096
See application file for complete search history.

(56) **References Cited**

U.S. PATENT DOCUMENTS

1,868,113	A *	7/1932	Ljungstrom	F04D 29/382
					415/119
D125,317	S *	2/1941	Sabatini	D26/88
2,972,674	A *	2/1961	De Sentmenat	F21V 1/06
					362/317
5,261,788	A *	11/1993	Kilburn	F01D 5/141
					416/5
D364,452	S *	11/1995	Wiggins	D23/386
D482,112	S *	11/2003	Miller	D23/377
D516,198	S *	2/2006	Frampton	D23/411
D579,102	S *	10/2008	Leung	D23/411
D630,724	S *	1/2011	Liu	D23/413
D655,437	S *	3/2012	Baylar	D26/81
D700,734	S *	3/2014	Chan	D26/88
8,790,085	B2	7/2014	Villella		

8,807,938	B2	8/2014	Villella		
D730,562	S *	5/2015	Blackman	D26/88
9,115,724	B2 *	8/2015	Chen	F04D 25/088
D770,663	S *	11/2016	Nicholas	D26/81
D777,312	S *	1/2017	Badarello	D23/377
D782,723	S *	3/2017	Martin	D26/88
D785,157	S *	4/2017	Wang	D23/377
D789,507	S *	6/2017	Badarello	D23/377
D794,767	S *	8/2017	Wang	D23/377

(Continued)

OTHER PUBLICATIONS

Modern Ceiling Fan with LED Lights, Parrot Uncle, www.amazon.com, date first available Apr. 24, 2008, site visited Jun. 6, 2019, Copyright © 1996-2019.*

(Continued)

Primary Examiner — Cathron C Brooks

Assistant Examiner — Sharon S Oum

(74) *Attorney, Agent, or Firm* — Morgan, Lewis & Bockius LLP

(57) **CLAIM**

The ornamental design for a ceiling fixture, as shown and described.

DESCRIPTION

FIG. 1 is a bottom perspective view of a ceiling fixture showing my new design;

FIG. 2 is a front elevational view thereof;

FIG. 3 is a rear elevational view thereof;

FIG. 4 is a left-side elevational view thereof;

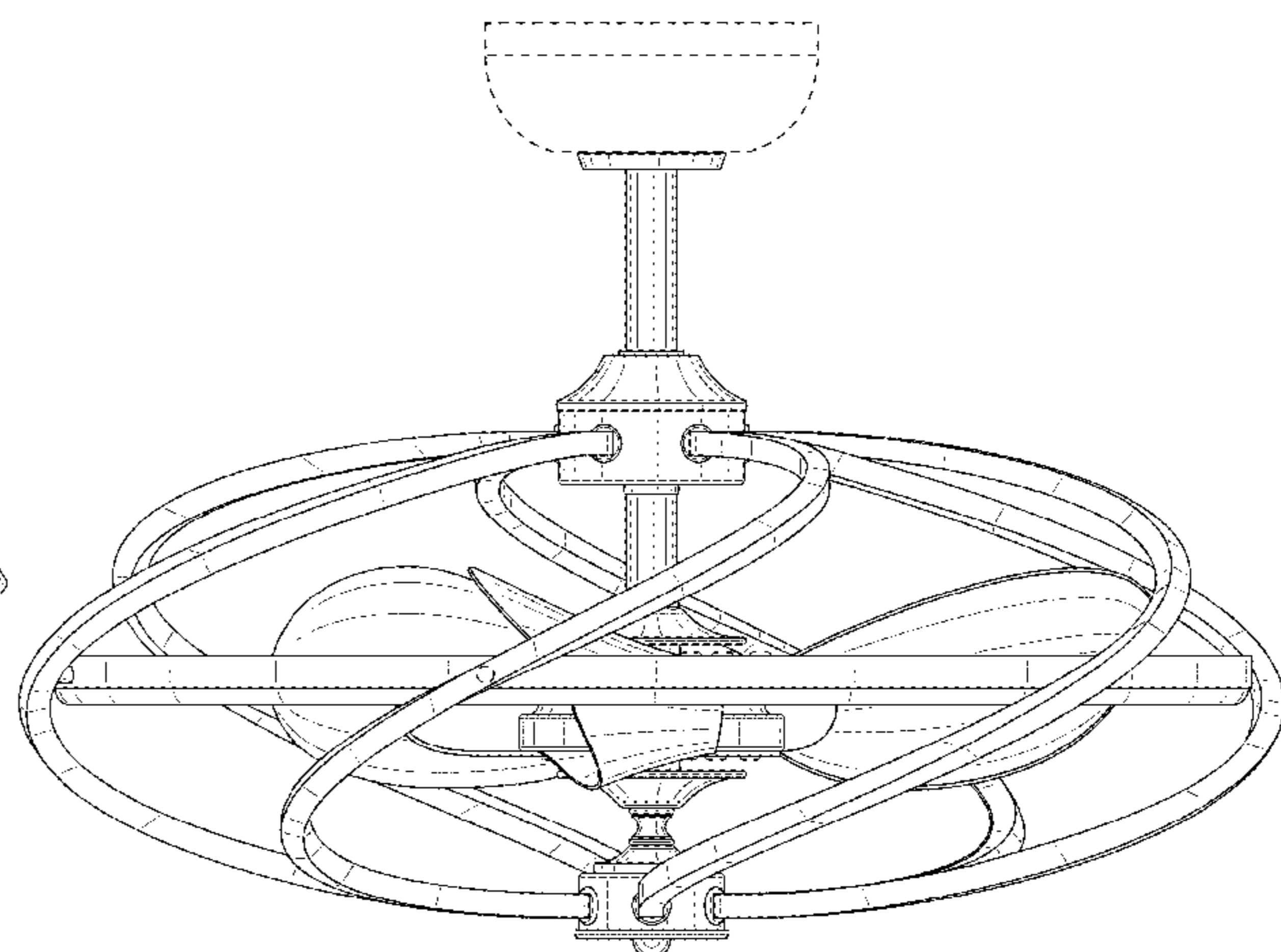
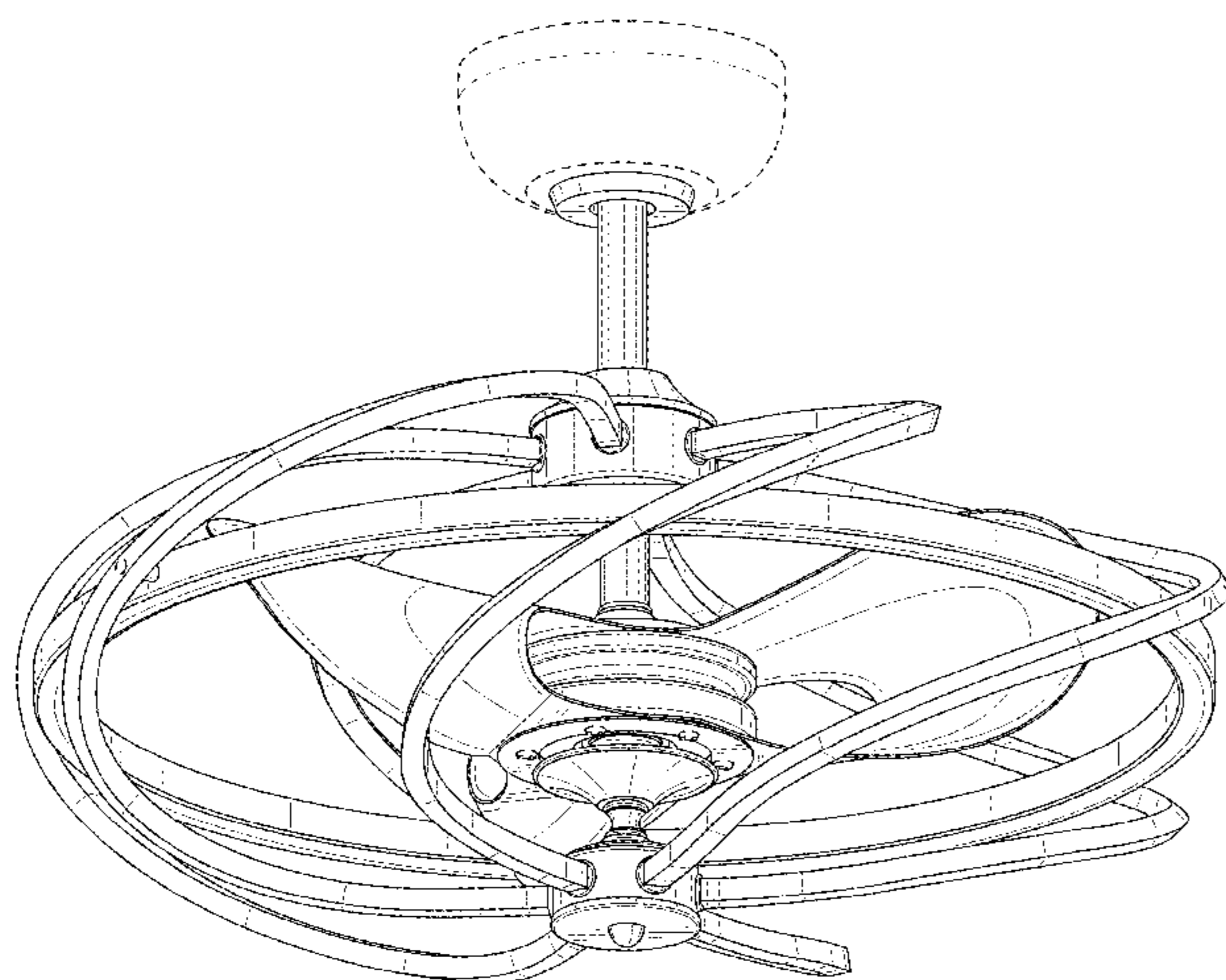
FIG. 5 is a right-side elevational view thereof;

FIG. 6 is a top plan view thereof; and,

FIG. 7 is a bottom plan view thereof.

The broken lines immediately adjacent the shaded areas represent the bounds of the claimed design while all other broken lines illustrate portions of the ceiling fixture; the broken lines form no part of the claimed design.

1 Claim, 7 Drawing Sheets



(56)

References Cited

U.S. PATENT DOCUMENTS

D799,669 S * 10/2017 Wang D23/377
2002/0141184 A1 * 10/2002 Shieh B44C 5/00
362/249.07

OTHER PUBLICATIONS

Modern Ceiling Fan with LED Lights 27 Inch Contemporary Art Chandelier Ceiling Fans Light Kit with 3 Reversible Blades, Remote Control, 4000K Cool White, Not Dimmable, Satin Nickel; <https://www.amazon.com/dp/B078JKHJMS/>; earliest publication date: Dec. 20, 2017.

* cited by examiner

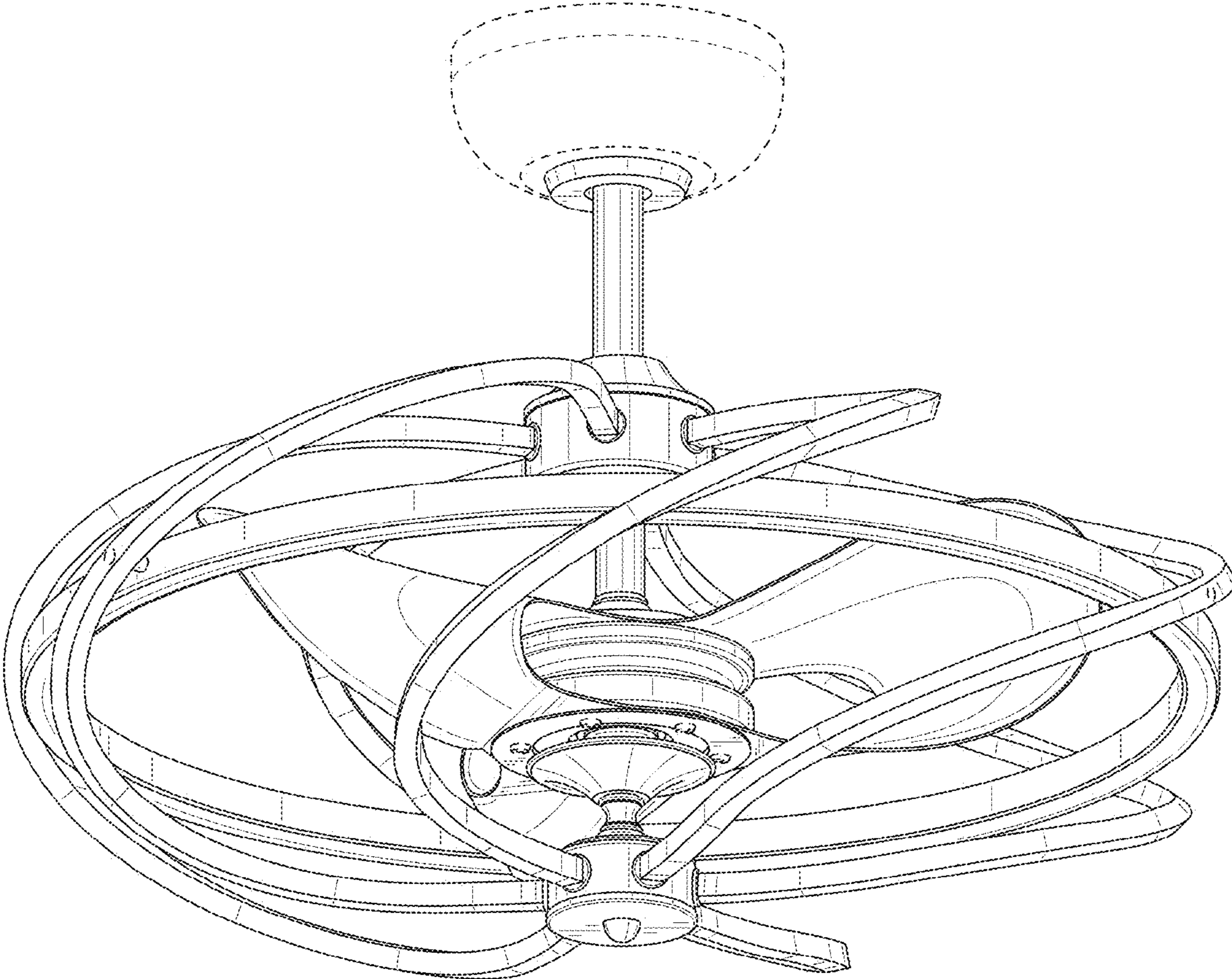


FIG. 1

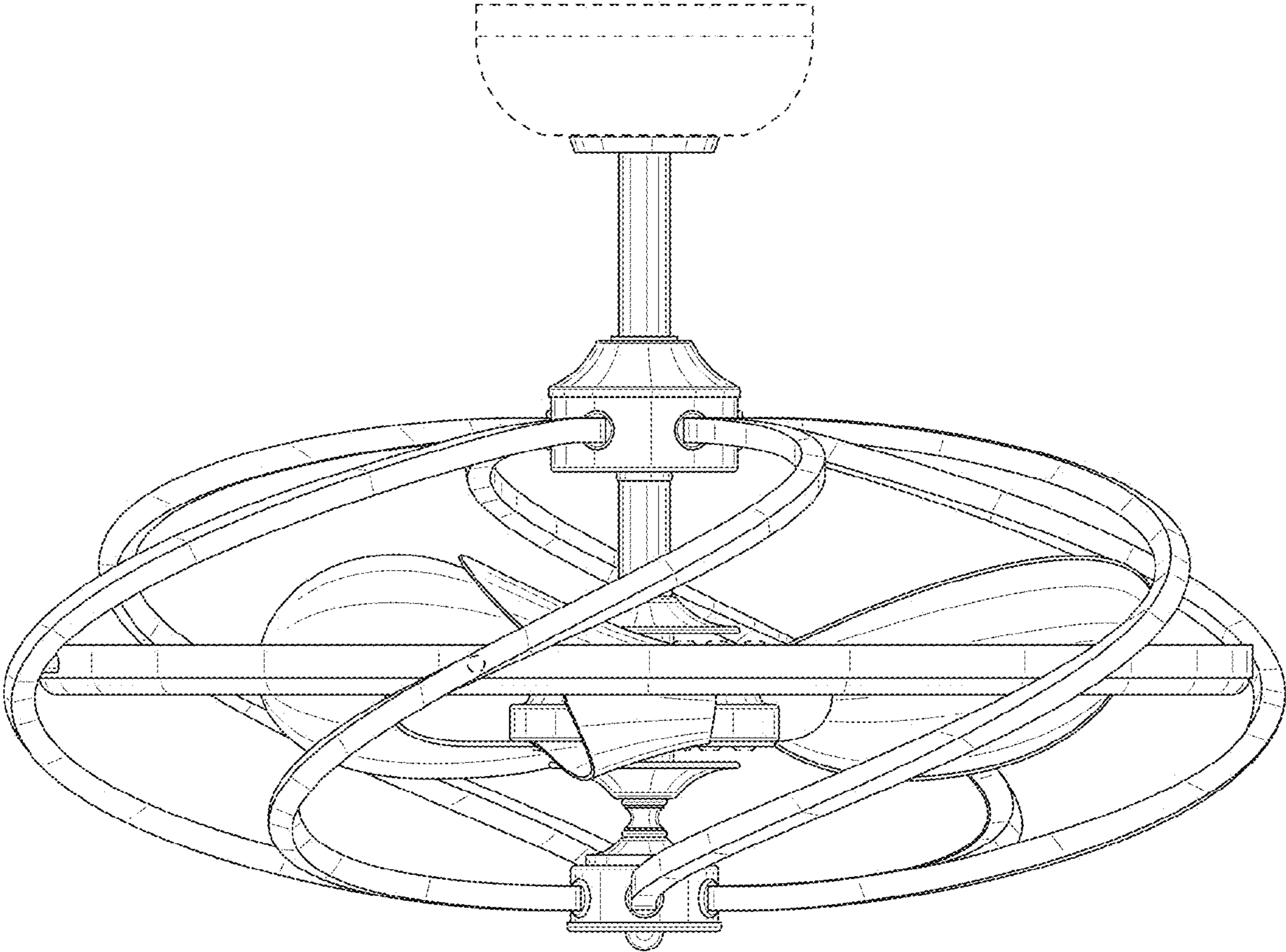


FIG. 2

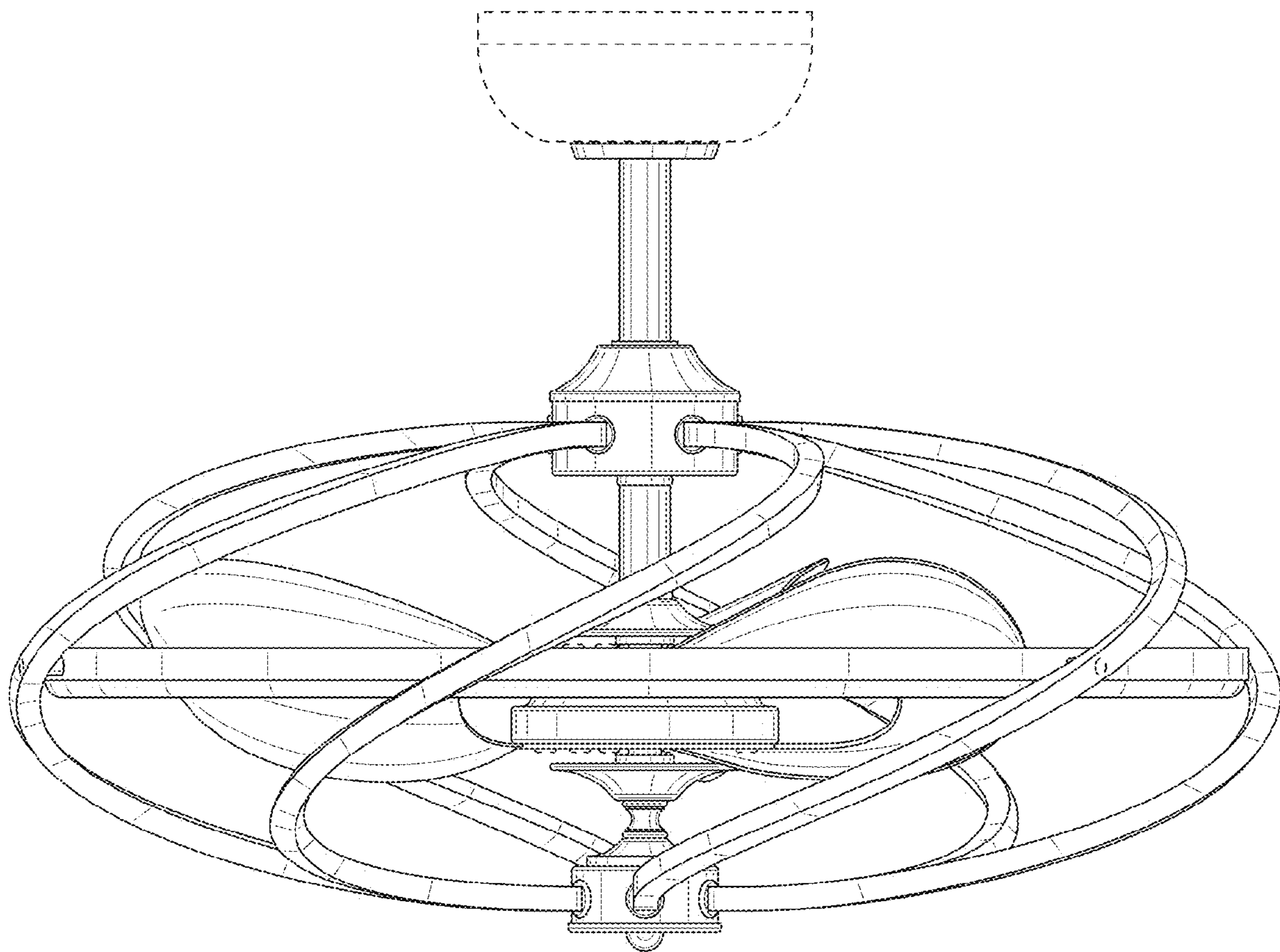


FIG. 3

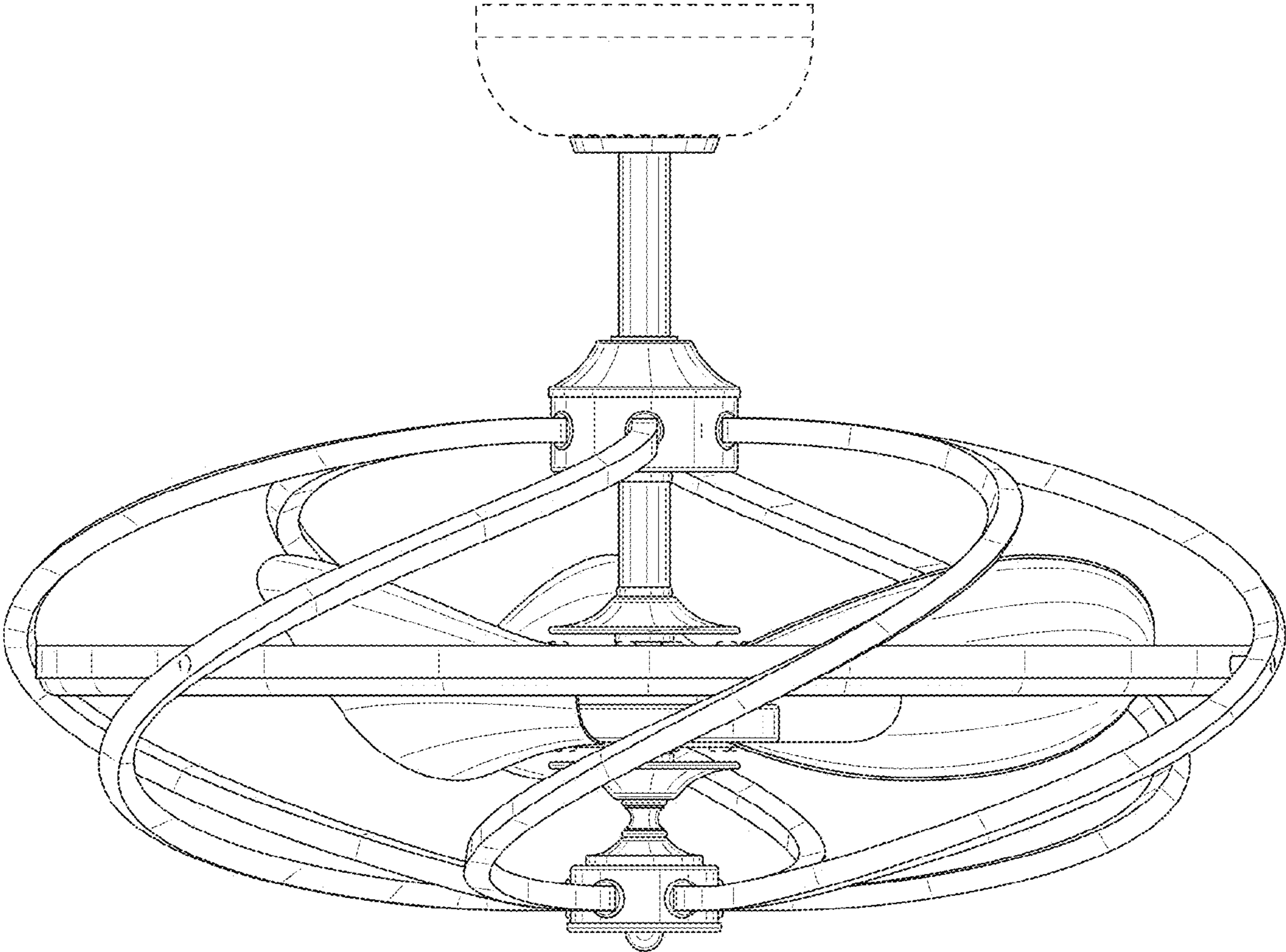


FIG. 4

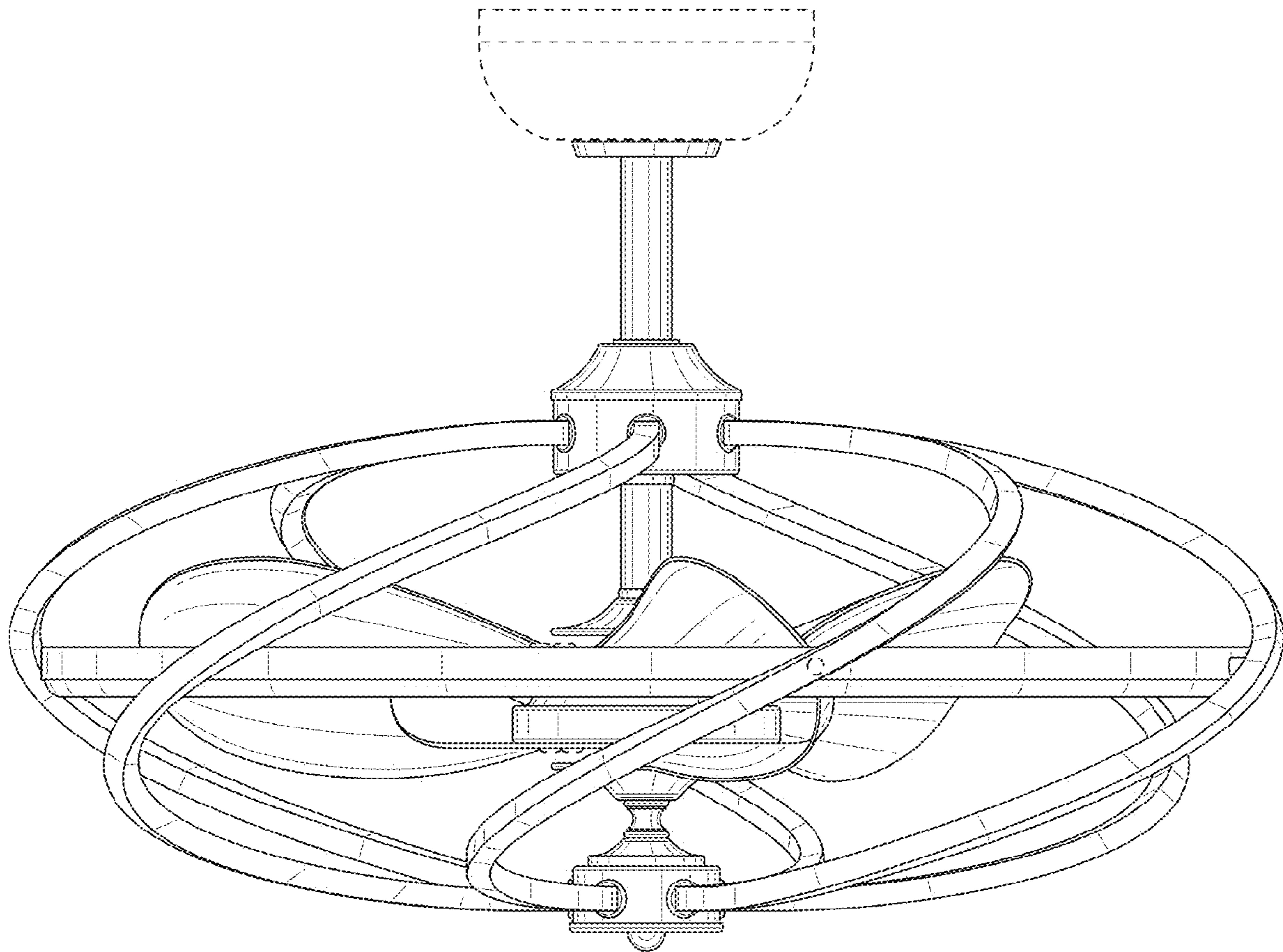


FIG. 5

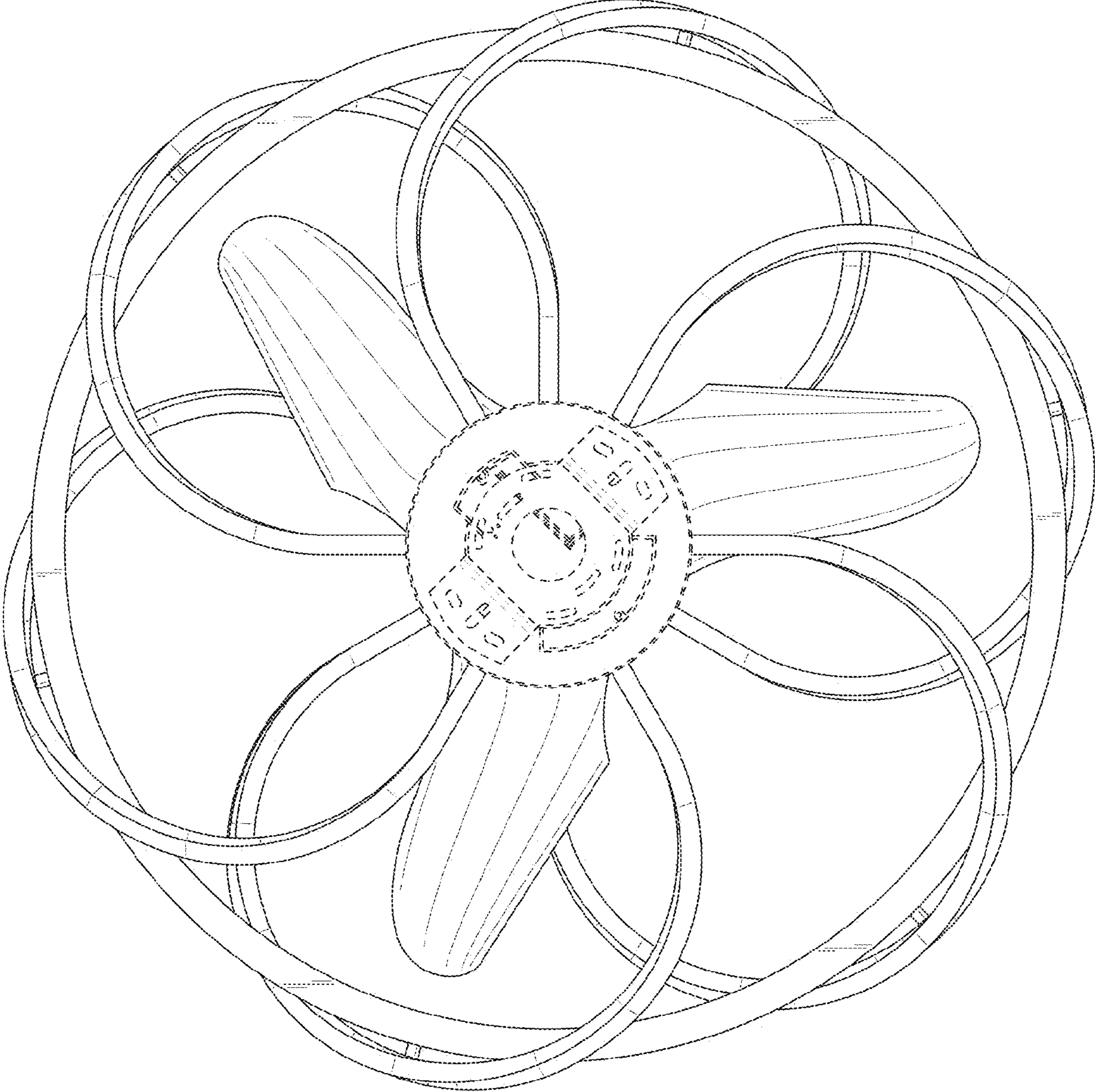


FIG. 6

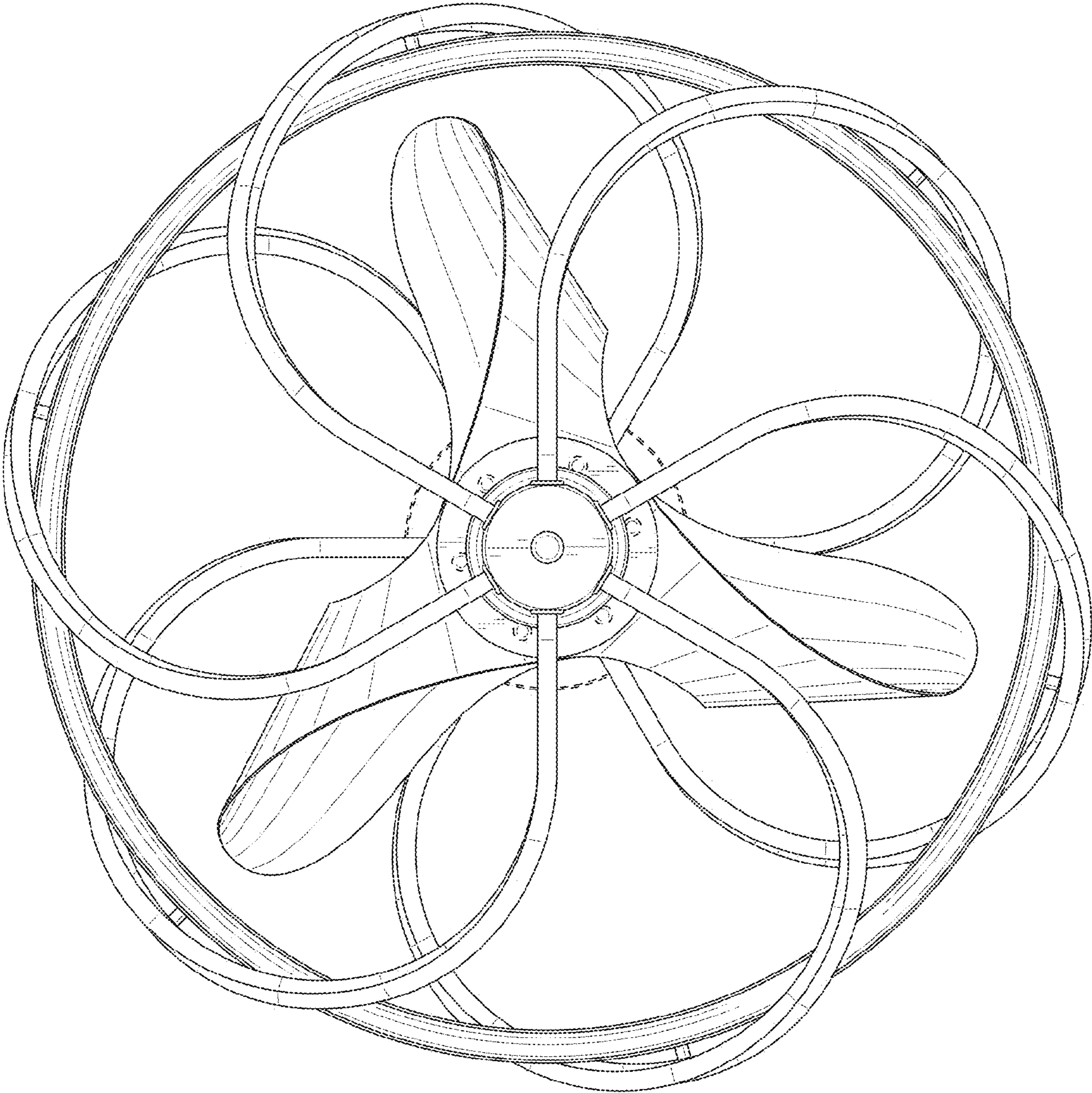


FIG. 7