



US00D895096S

(12) **United States Design Patent** (10) **Patent No.:** **US D895,096 S**
Brandenburg (45) **Date of Patent:** **** Sep. 1, 2020**

(54) **AIR FRESHENER CONTAINER**
(71) Applicant: **Brandywine Product Group International, Inc.**, Wilmington, DE (US)
(72) Inventor: **Kyle Brandenburg**, Middletown, DE (US)
(73) Assignee: **Brandywine Product Group International, Inc.**, Wilmington, DE (US)

D638,112 S 5/2011 Hisey
D641,464 S 7/2011 DeHaan et al.
D645,949 S 9/2011 Brandenburg et al.
D647,190 S 10/2011 Walter
D657,036 S * 4/2012 Vetu D23/364
D658,935 S 5/2012 Luppino
D707,805 S 6/2014 Brewer
8,978,999 B2 3/2015 Lesniak et al.
D743,519 S 11/2015 Furner
(Continued)

(**) Term: **15 Years**
(21) Appl. No.: **29/712,974**
(22) Filed: **Nov. 13, 2019**

Primary Examiner — Sheryl Lane
Assistant Examiner — Calvin E Vansant
(74) *Attorney, Agent, or Firm* — Rogowski Law LLC

(57) **CLAIM**

The ornamental design for an air freshener container, as shown and described.

DESCRIPTION

Related U.S. Application Data
(62) Division of application No. 29/657,489, filed on Jul. 23, 2018, now Pat. No. Des. 873,402.
(51) **LOC (12) Cl.** **23-04**
(52) **U.S. Cl.**
USPC **D23/366**
(58) **Field of Classification Search**
USPC D23/208, 355–369; D14/209.1, 212–213
CPC A61L 9/02; A61L 9/03; A61L 9/12; A61L 9/035; A61L 9/125
See application file for complete search history.

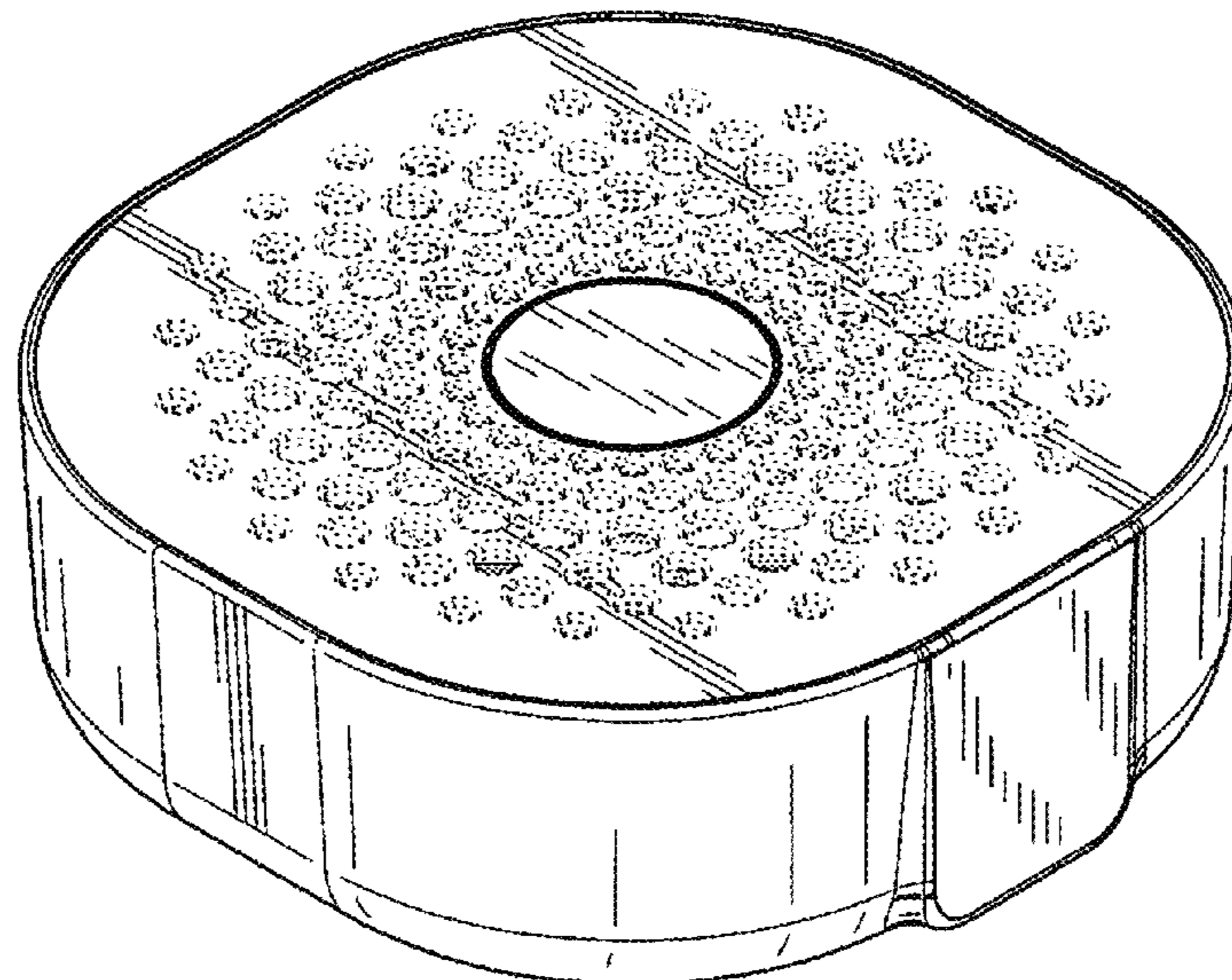
FIG. 1 is a right front perspective view of an air freshener container;
FIG. 2 is a left bottom perspective view of the air freshener container of FIG. 1;
FIG. 3 is a top plan view of the air freshener container of FIG. 1;
FIG. 4 is a bottom plan view of the air freshener container of FIG. 1;
FIG. 5 is right side elevational view of the air freshener container of FIG. 1;
FIG. 6 is a left side elevational view of the air freshener container of FIG. 1;
FIG. 7 is a front elevational view of the air freshener container of FIG. 1; and,
FIG. 8 is a rear elevational view of the air freshener container of FIG. 1.

The broken lines showing portions of the air freshener container are included for the purpose of illustrating the portions of the article and form no part of the claimed design.

(56) **References Cited**
U.S. PATENT DOCUMENTS

D41,558 S 7/1911 Frank
D164,983 S 10/1951 Crook
D212,753 S 11/1968 Tughan
D491,257 S 6/2004 Picken, Jr.
D520,623 S 5/2006 Lablaine
D555,478 S 11/2007 Miller
D575,860 S * 8/2008 Wu D23/366
D606,642 S 12/2009 Weggelaar

1 Claim, 4 Drawing Sheets



(56)

References Cited

U.S. PATENT DOCUMENTS

D767,108 S	9/2016	Brandenburg	
D782,108 S	3/2017	Jordan	
D798,430 S	9/2017	Nord	
D799,018 S	10/2017	Kim	
D803,073 S	11/2017	Ji	
D803,377 S *	11/2017	Gobber	D23/366
D817,469 S	5/2018	Lane	
D836,760 S	12/2018	Fredang	
D837,355 S	1/2019	Gunnefur	
D844,765 S	4/2019	Zhang	
D853,547 S	7/2019	Avidor	

* cited by examiner

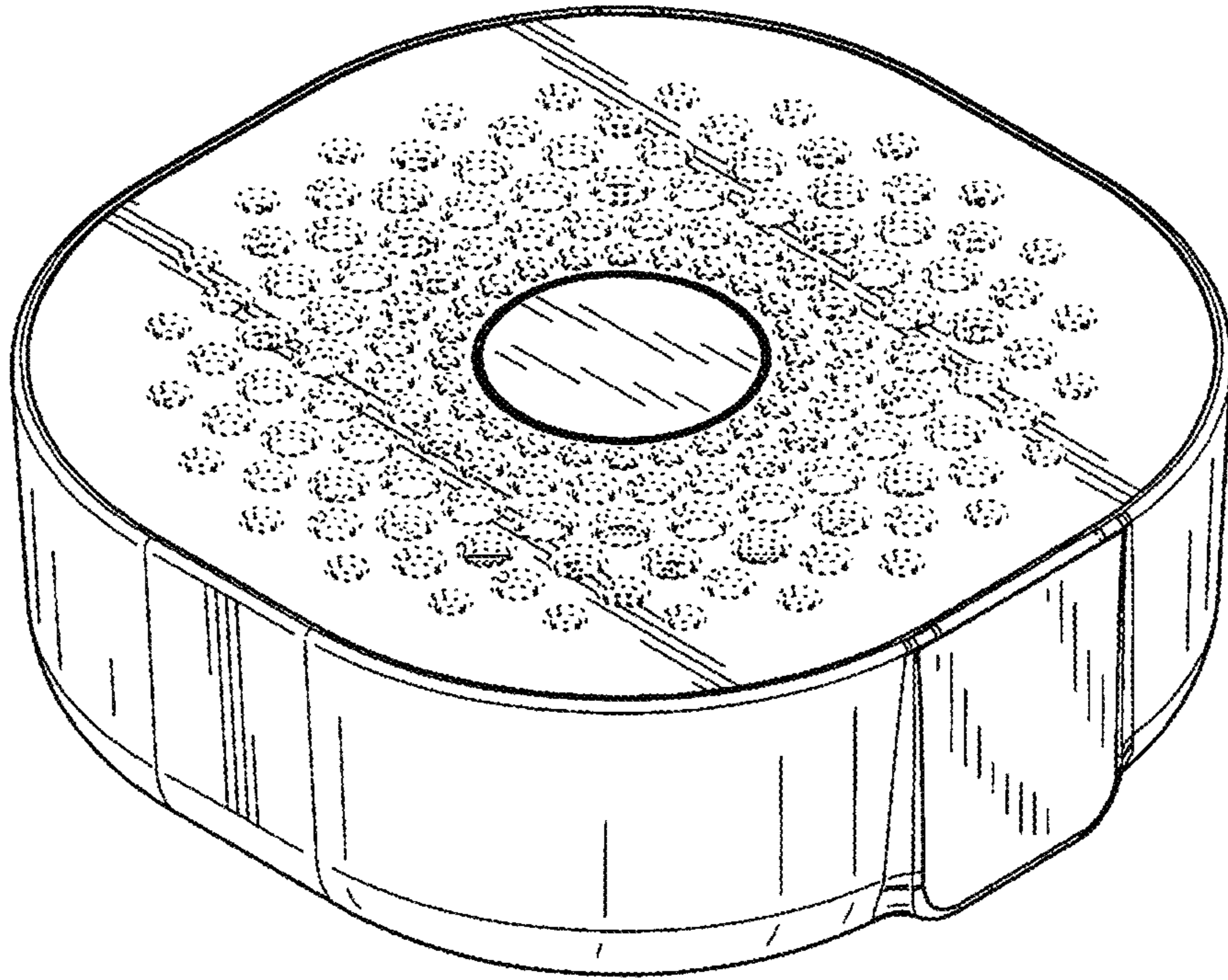


FIG. 1

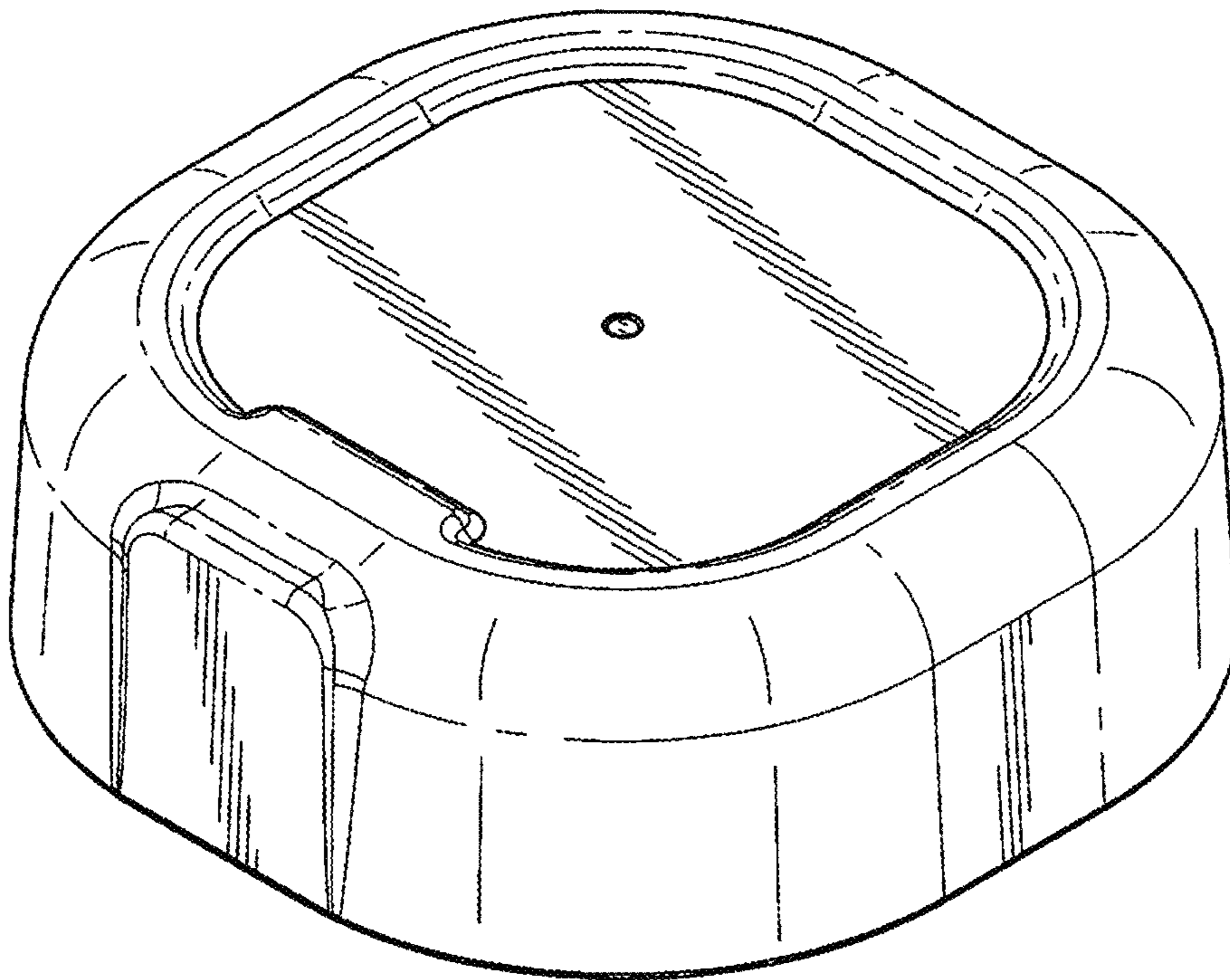


FIG. 2

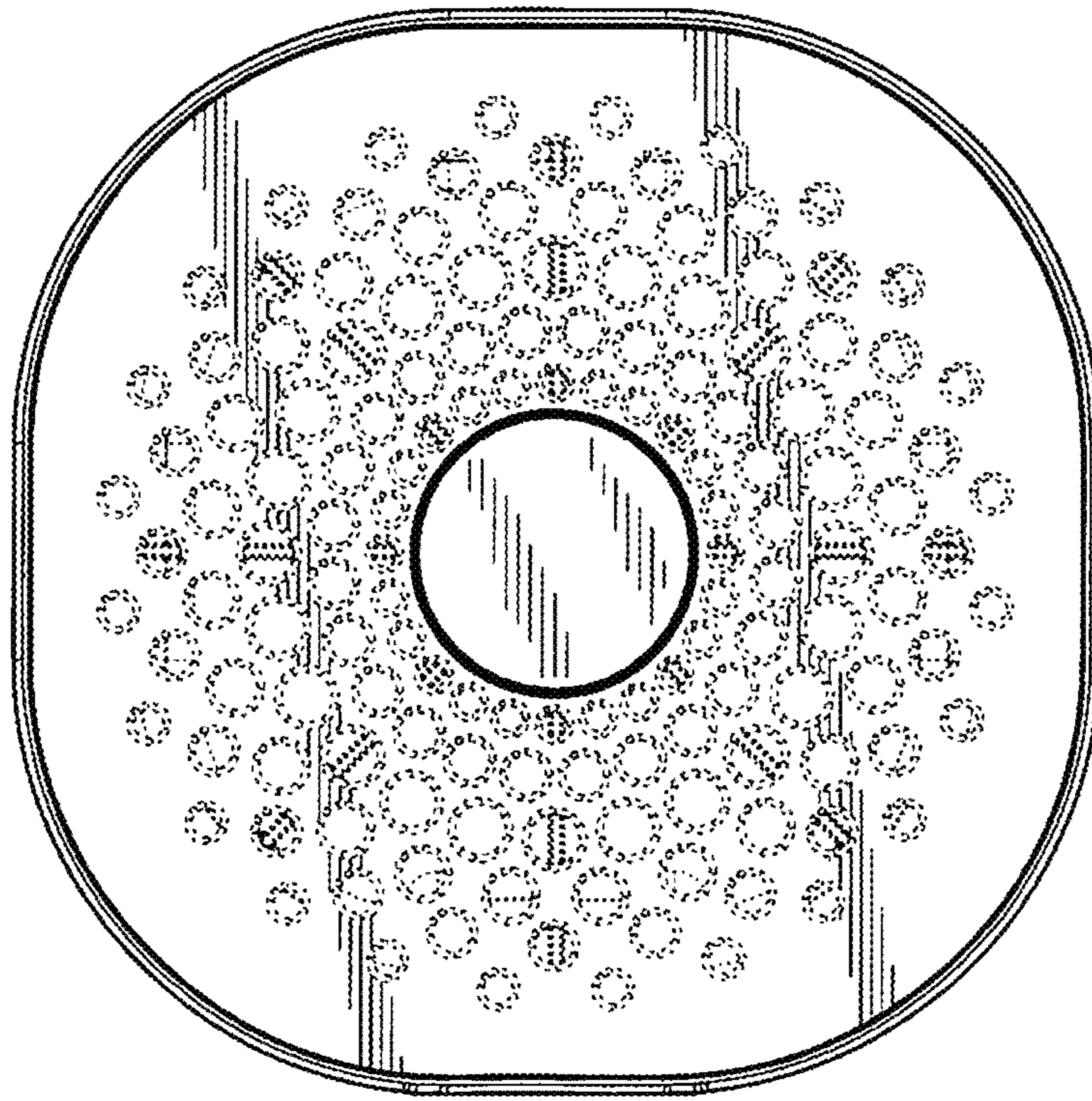


FIG. 3

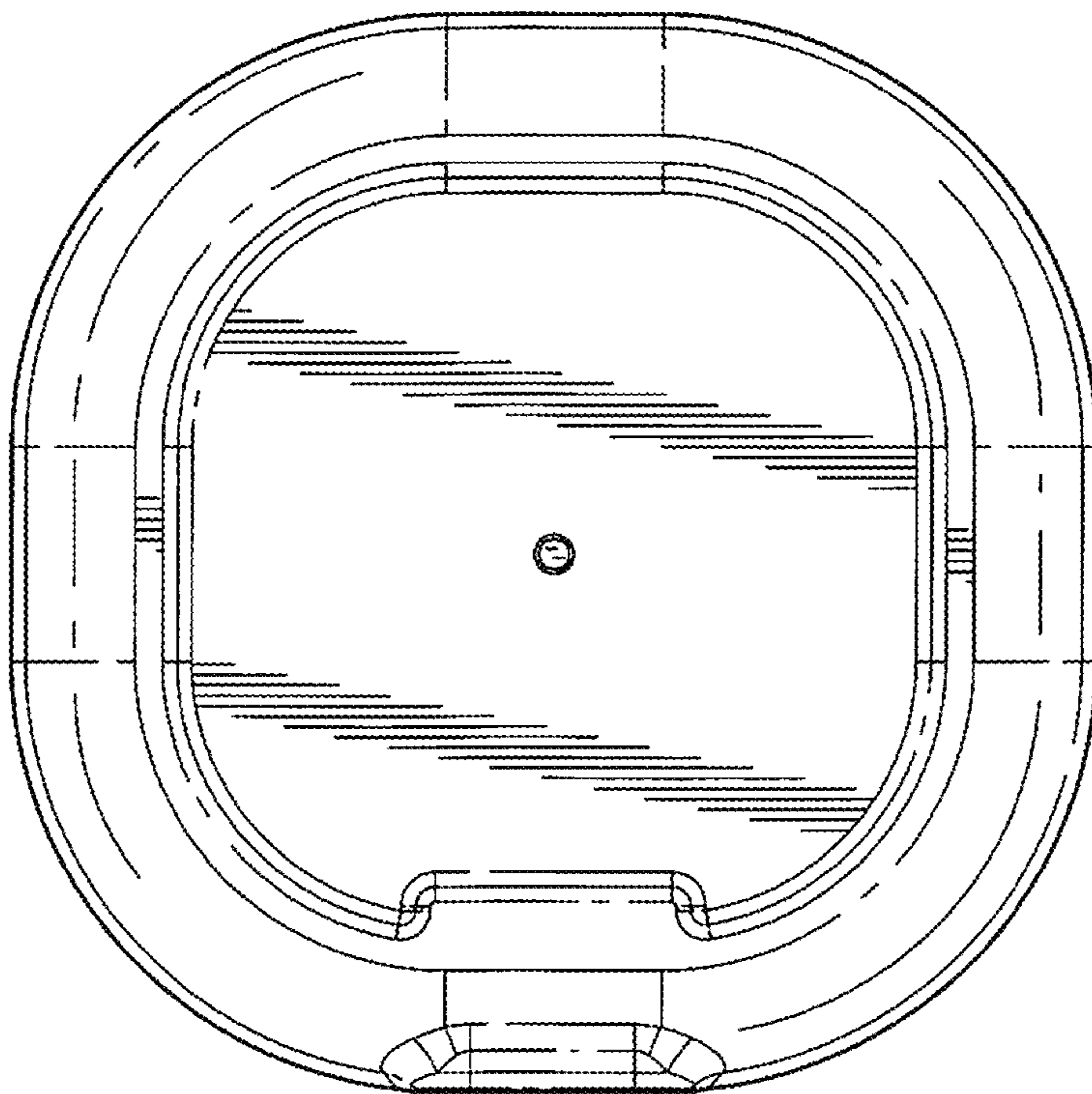


FIG. 4

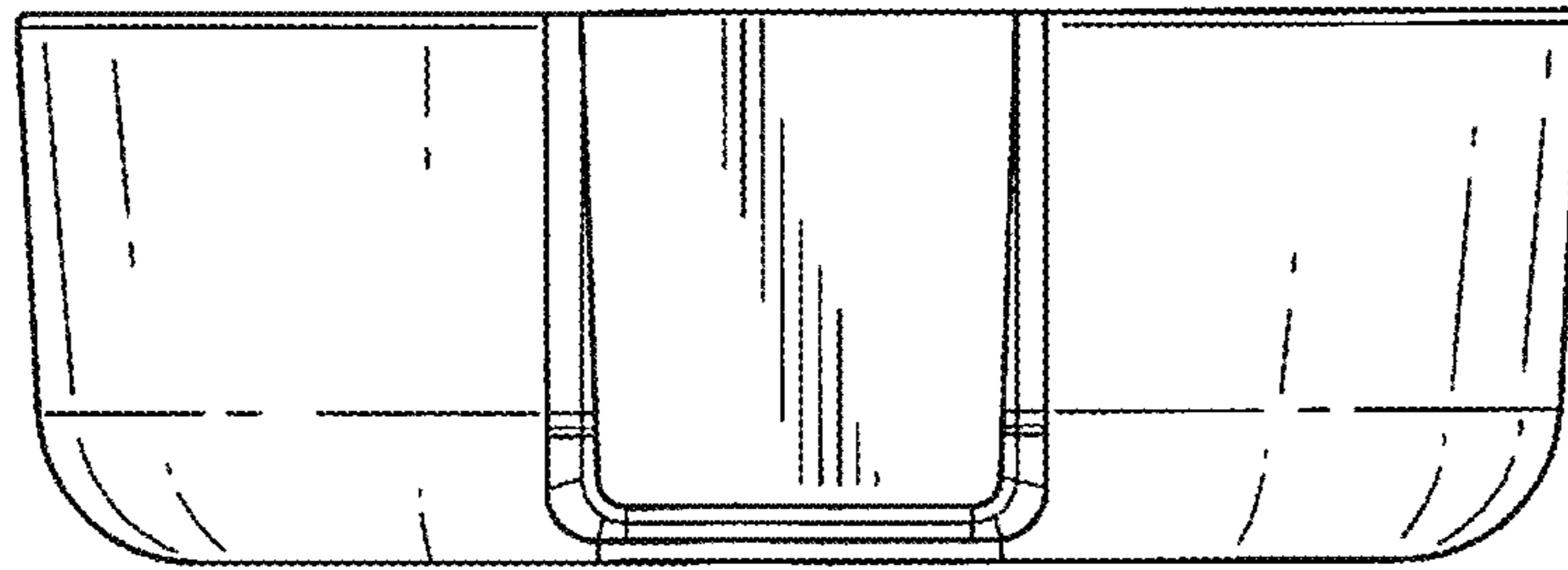


FIG. 5

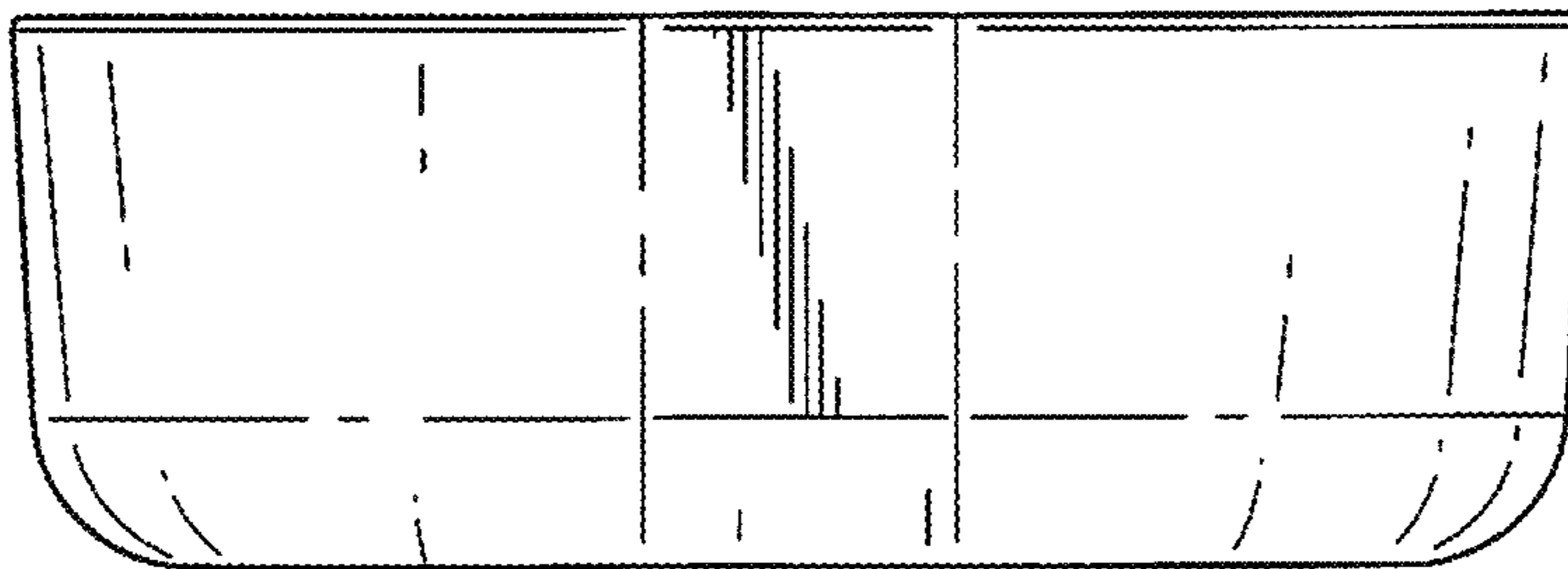


FIG. 6

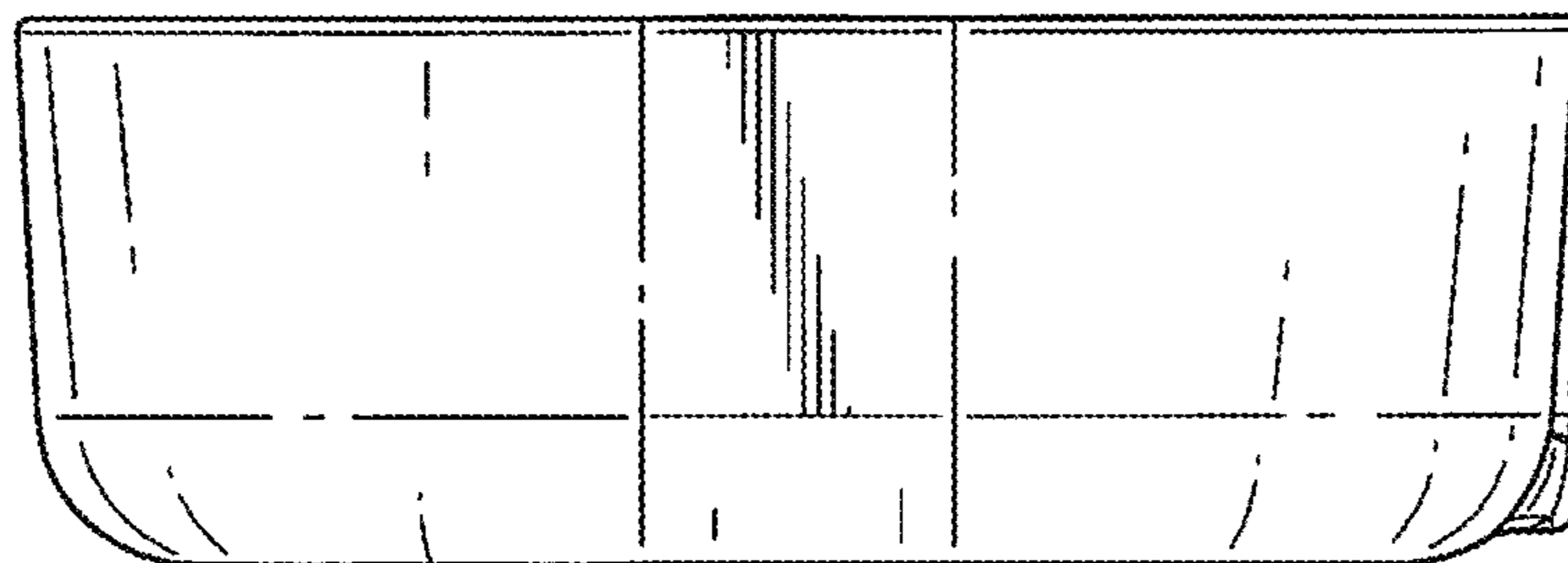


FIG. 7

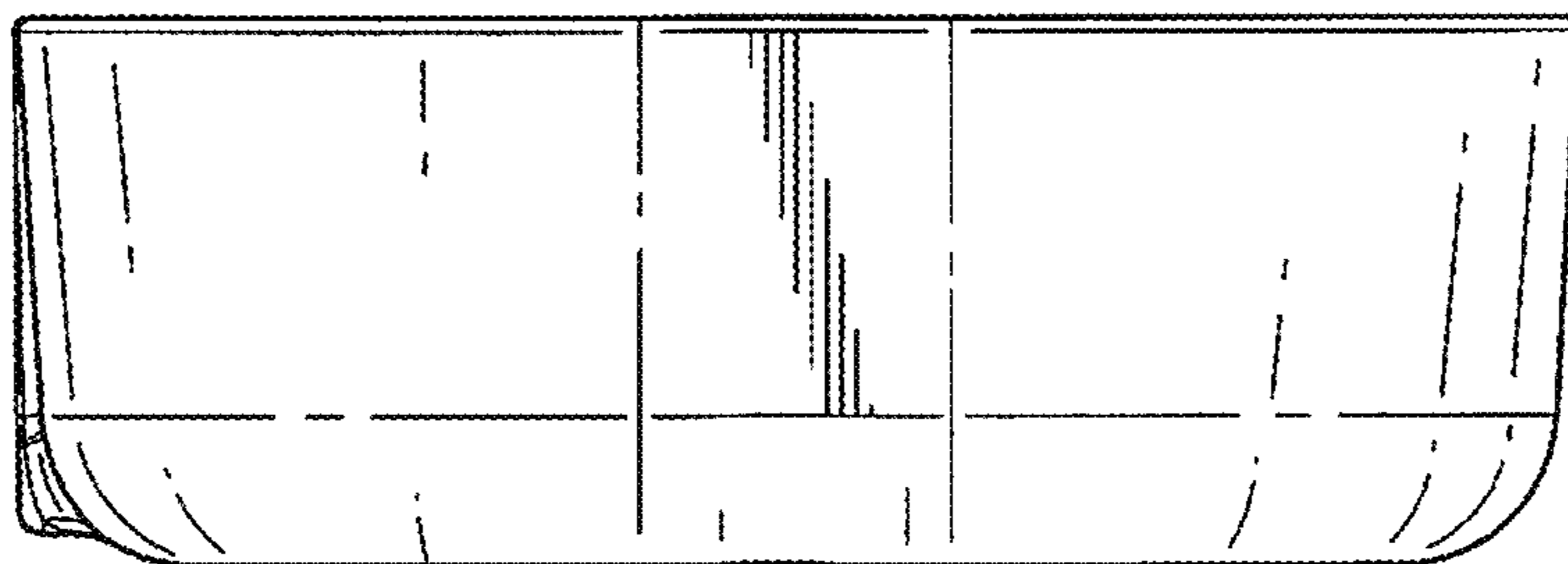


FIG. 8