

US00D895092S

(12) **United States Design Patent**
Peng

(10) **Patent No.:** **US D895,092 S**

(45) **Date of Patent:** **** Sep. 1, 2020**

(54) **FOLDING HUMIDIFIER**

(71) Applicant: **SHENZHEN KEAN SILICONE
PRODUCT CO., LTD**, Shenzhen (CN)

(72) Inventor: **Pandian Peng**, Shenzhen (CN)

(73) Assignee: **SHENZHEN KEAN SILICONE
PRODUCT CO., LTD**, Shenzhen (CN)

(**) Term: **15 Years**

(21) Appl. No.: **29/673,730**

(22) Filed: **Dec. 18, 2018**

(30) **Foreign Application Priority Data**

Aug. 28, 2018 (CN) 2018 3 0479374

(51) **LOC (12) Cl.** **23-04**

(52) **U.S. Cl.**
USPC **D23/356**

(58) **Field of Classification Search**
USPC D23/355-366, 352, 369, 332, 333, 335,
D23/336, 342, 351; 422/120, 122;
55/356, 473, 504; 96/97; 261/DIG. 17,
261/DIG. 65, DIG. 88, DIG. 31
CPC .. A61L 9/16; A61L 9/22; B01D 47/00; B01D
47/027; B01D 2221/02; B01D 2259/4508;
B03C 3/155; B03C 3/368; F24F 3/16;
F24F 13/20; F24F 13/28
See application file for complete search history.

(56) **References Cited**

U.S. PATENT DOCUMENTS

D800,285 S * 10/2017 Seo D23/358
D810,261 S * 2/2018 Chen D23/366

D811,570 S * 2/2018 Tang D23/356
D828,534 S * 9/2018 Hu D23/366
D829,877 S * 10/2018 Liu D23/366
D847,324 S * 4/2019 Zuo D23/366
D855,784 S * 8/2019 Seo D23/358
D856,501 S * 8/2019 Netkin D23/366
D859,626 S * 9/2019 Hu D23/366
D860,424 S * 9/2019 Seo D23/358
D861,847 S * 10/2019 Li D23/366
D862,677 S * 10/2019 Li D23/366
D864,371 S * 10/2019 Chen D23/366

* cited by examiner

Primary Examiner — David G Muller

(57) **CLAIM**

The ornamental design for a folding humidifier, as shown and described.

DESCRIPTION

FIG. 1 is a top perspective view of a folding humidifier showing my new design;

FIG. 2 is another top perspective view thereof;

FIG. 3 is a bottom perspective view thereof;

FIG. 4 is a front elevational view thereof;

FIG. 5 is a rear elevational view thereof;

FIG. 6 is a left side elevational view thereof;

FIG. 7 is a right side elevational view thereof;

FIG. 8 is a top plan view thereof;

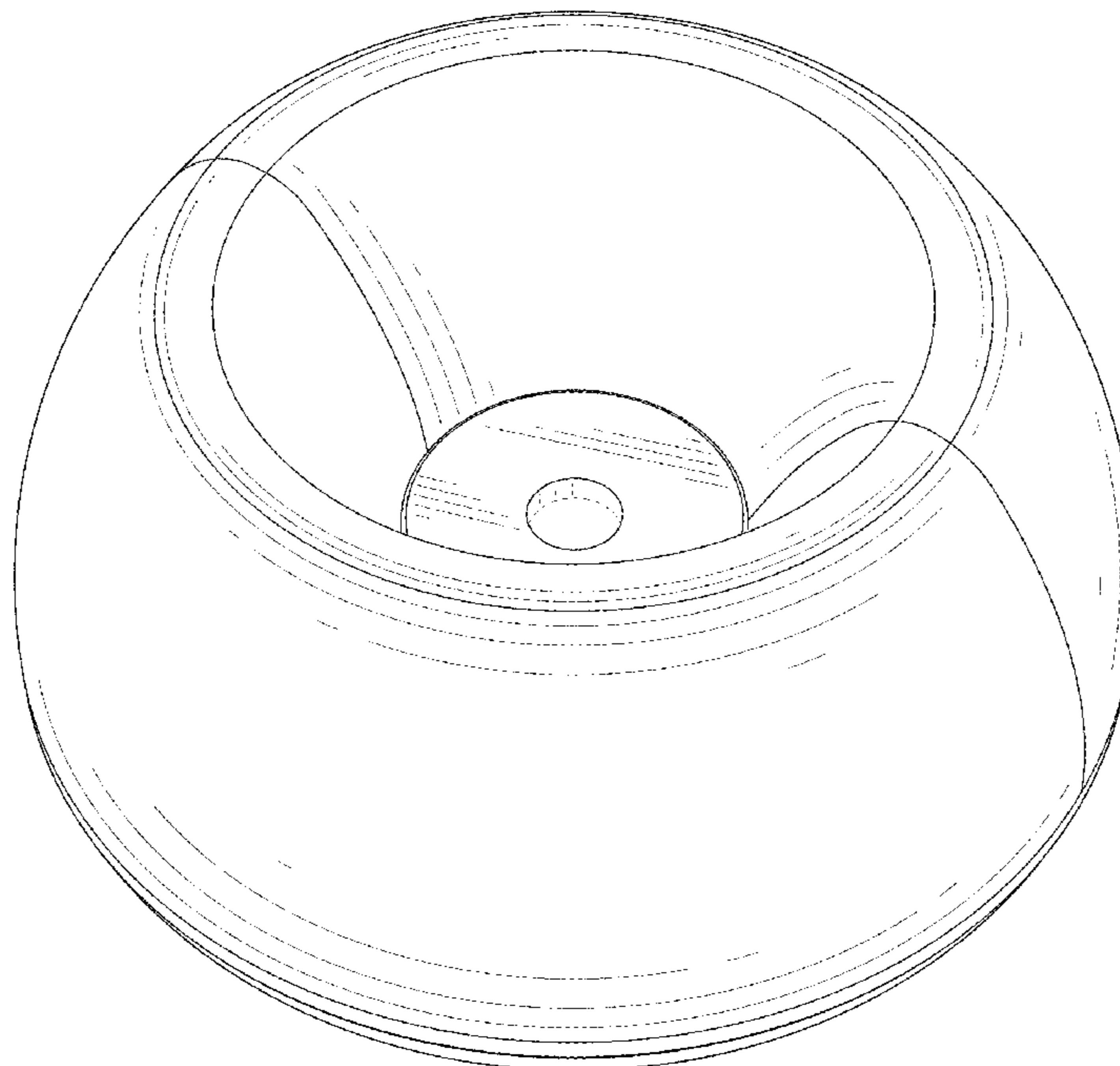
FIG. 9 is a bottom plan view thereof;

FIG. 10 is a bottom perspective view where a seal cap is in an open state; and,

FIG. 11 is a top perspective view where the folding humidifier is fully folded.

The broken lines in the drawings depict portions of the folding humidifier that form no part of the claimed design.

1 Claim, 11 Drawing Sheets



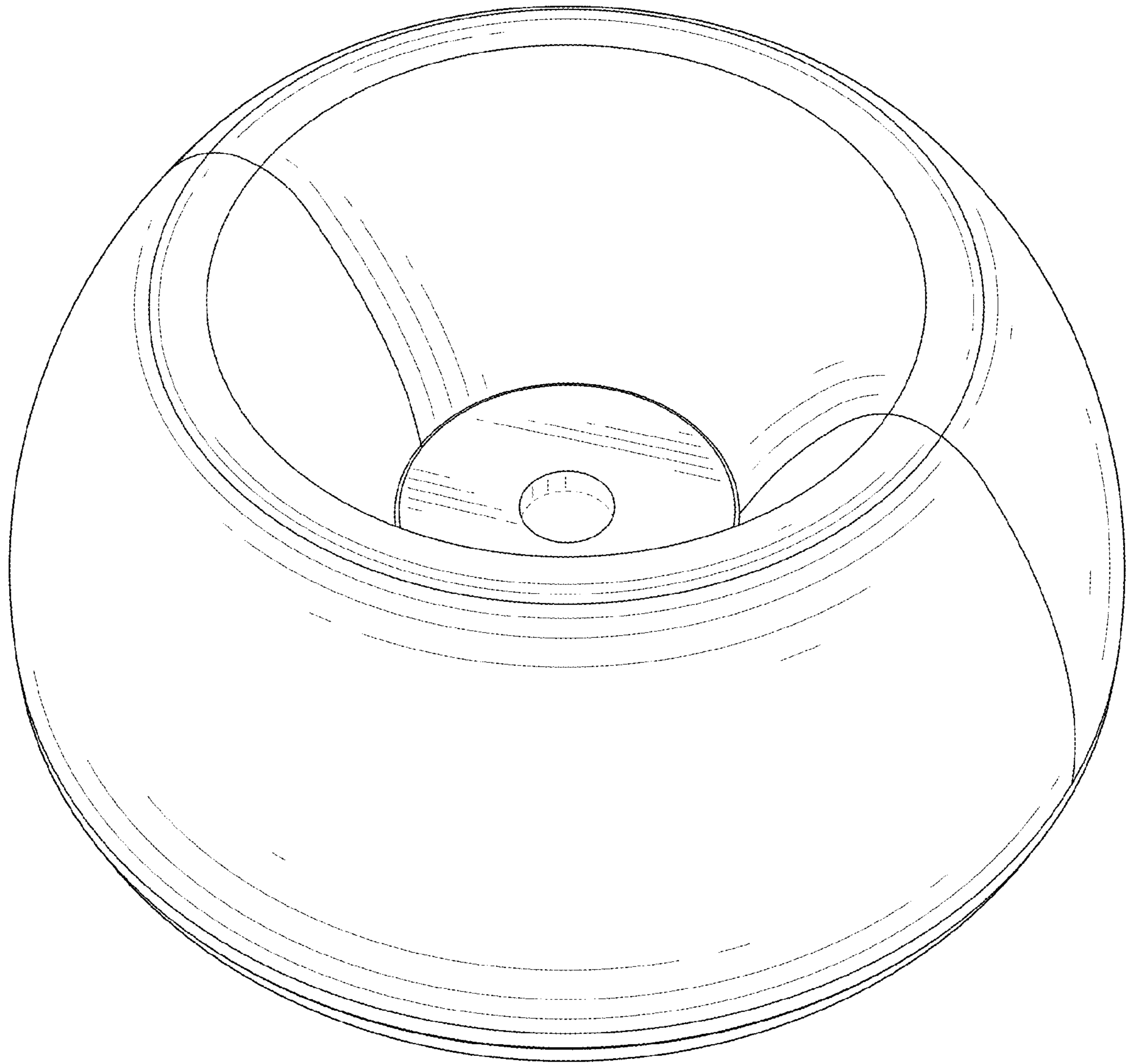


FIG. 1

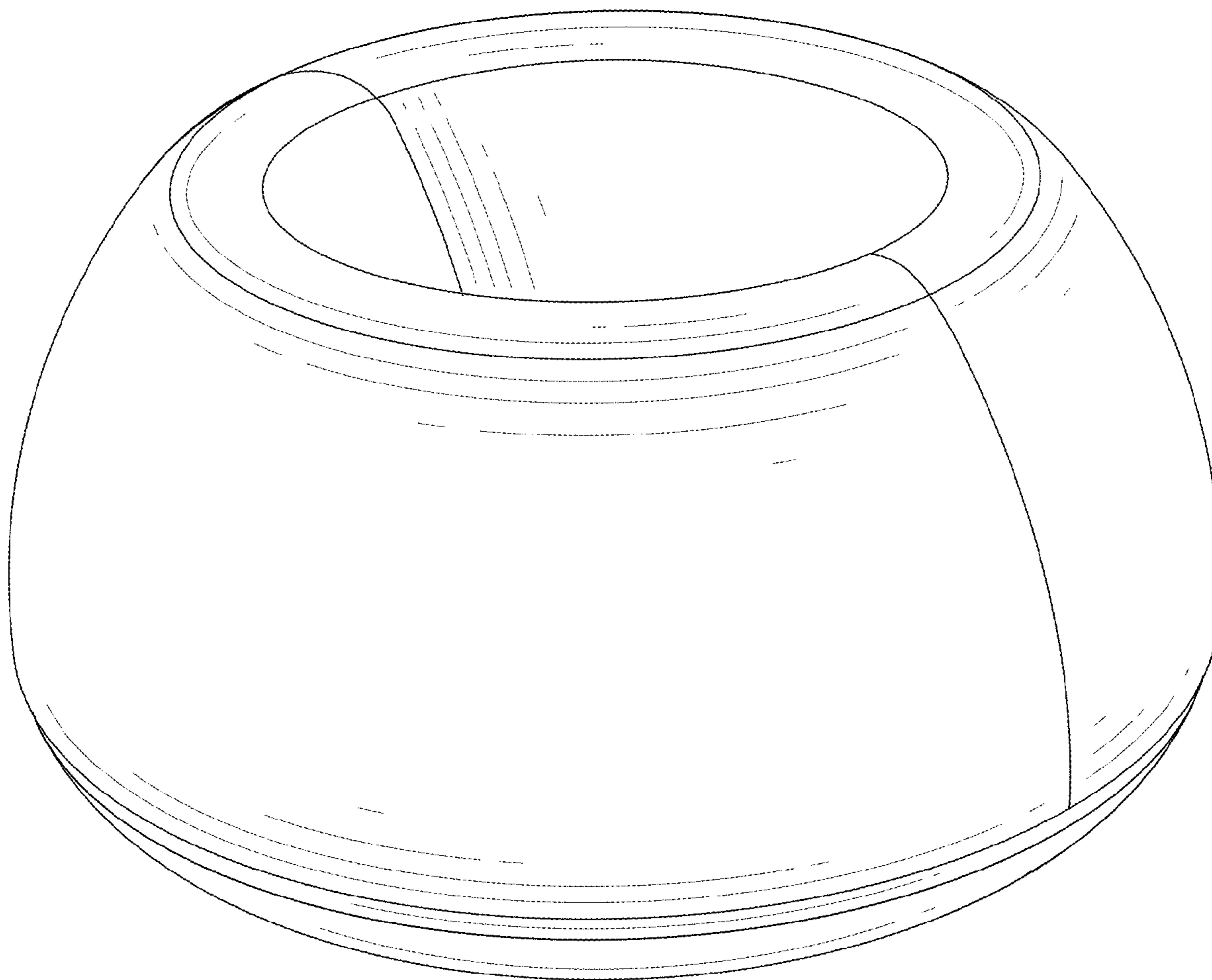


FIG. 2

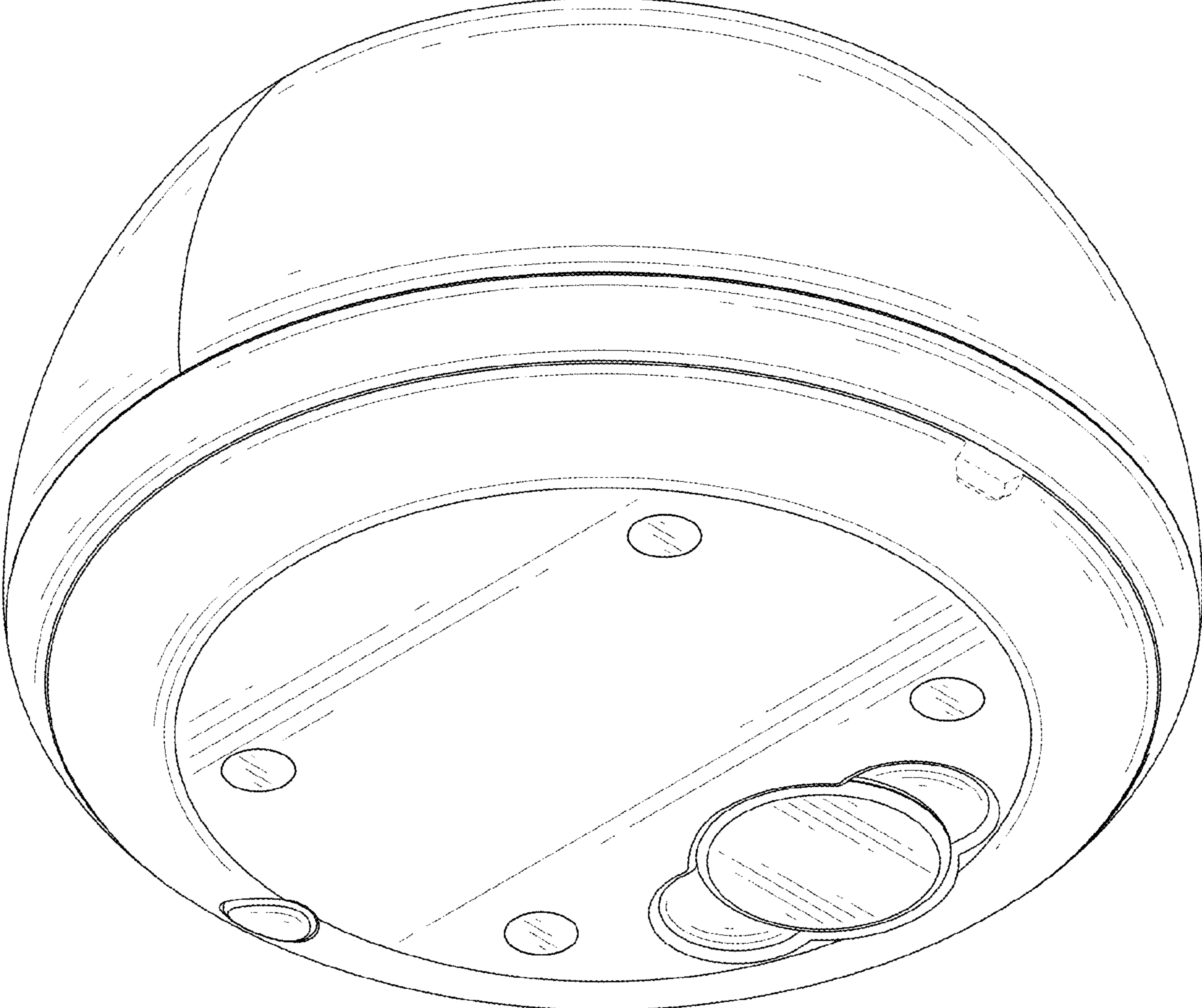


FIG. 3

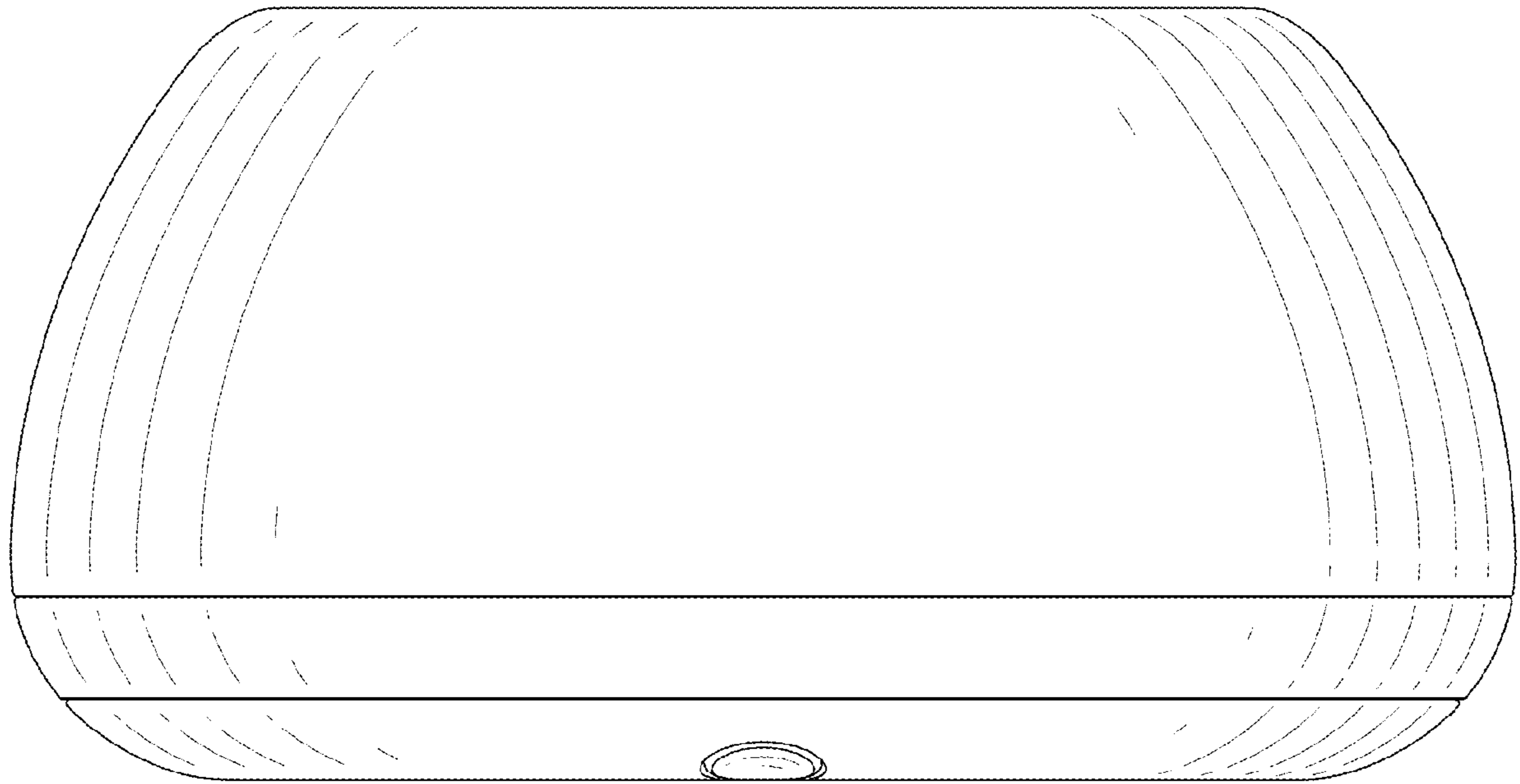


FIG. 4

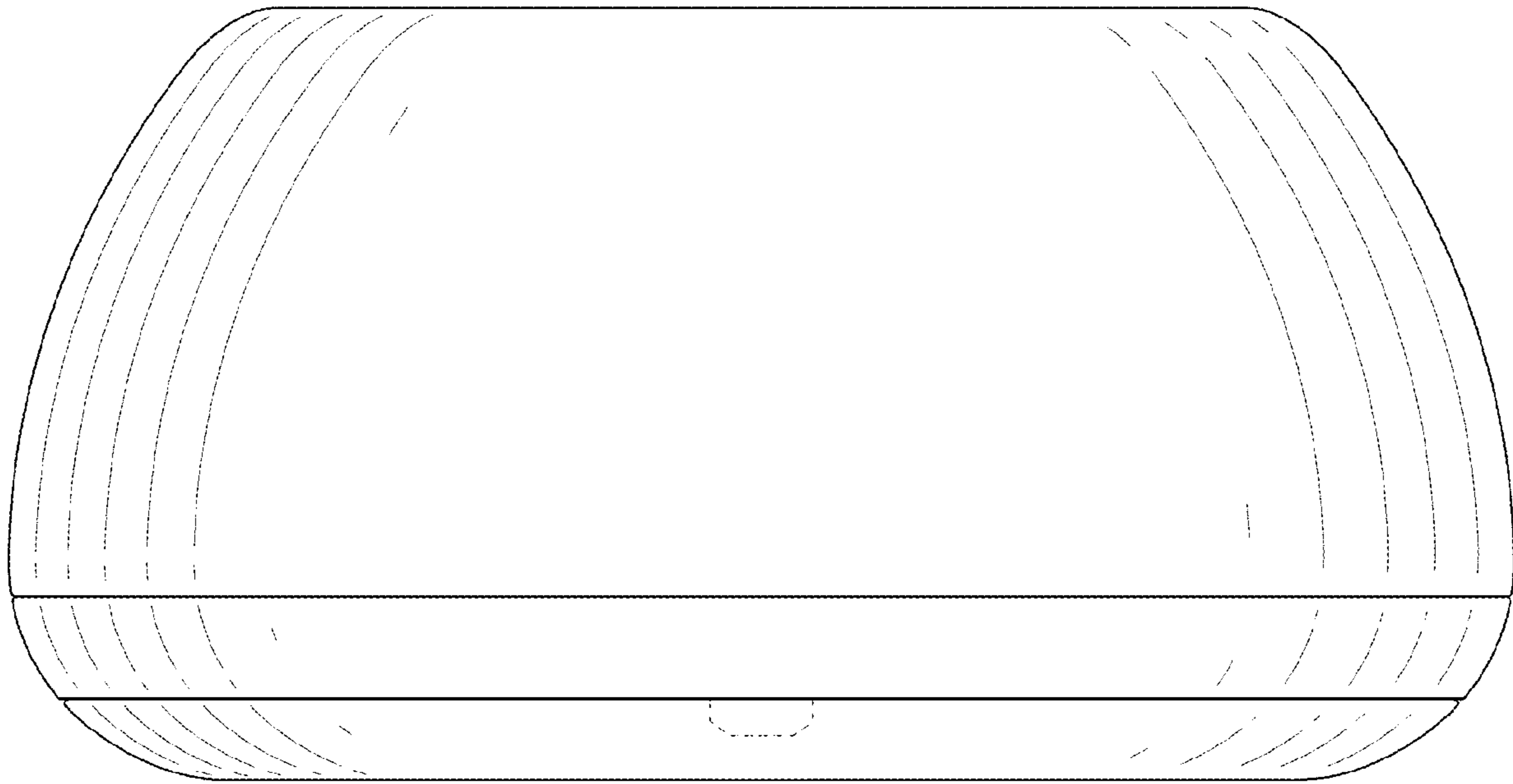


FIG. 5

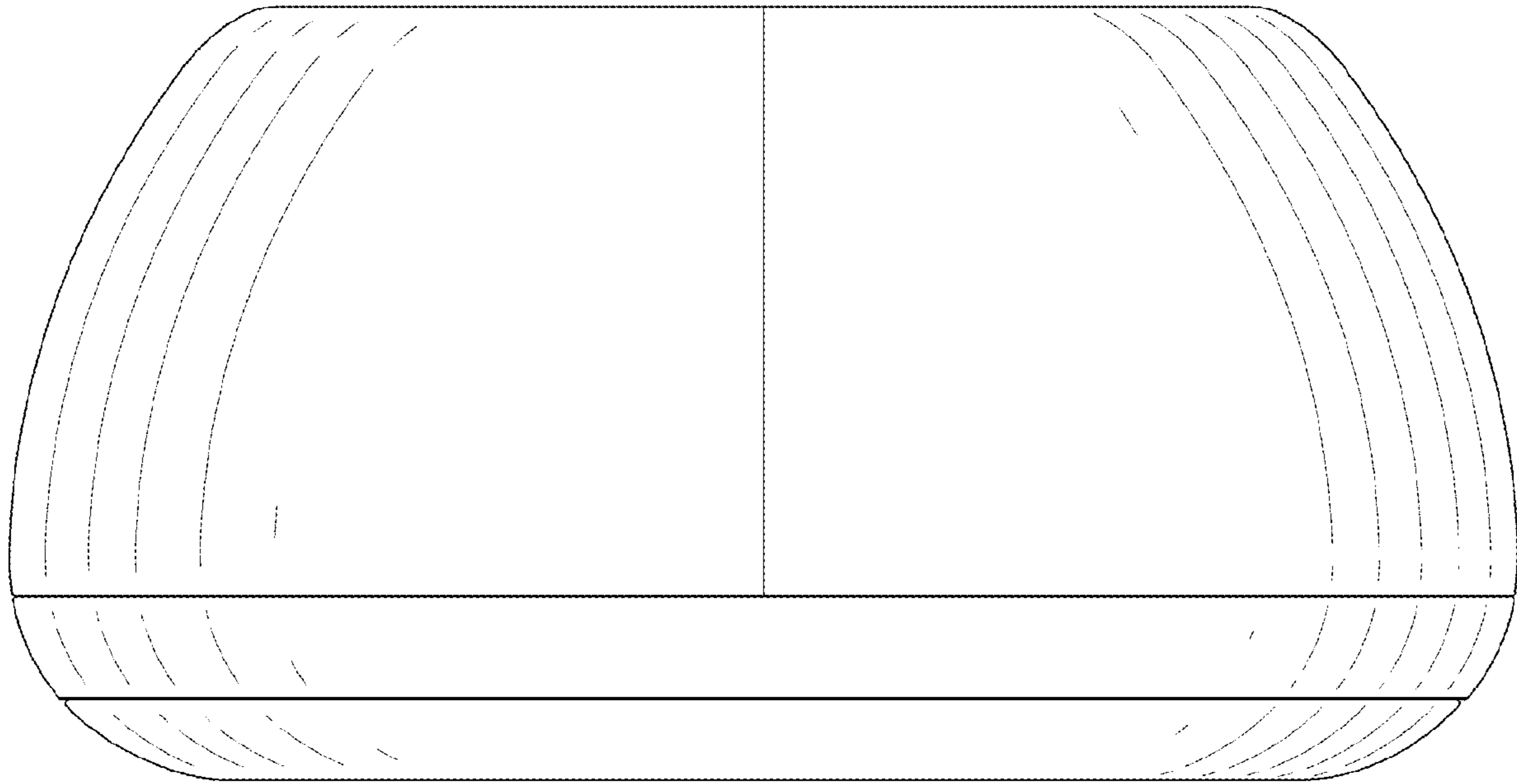


FIG. 6

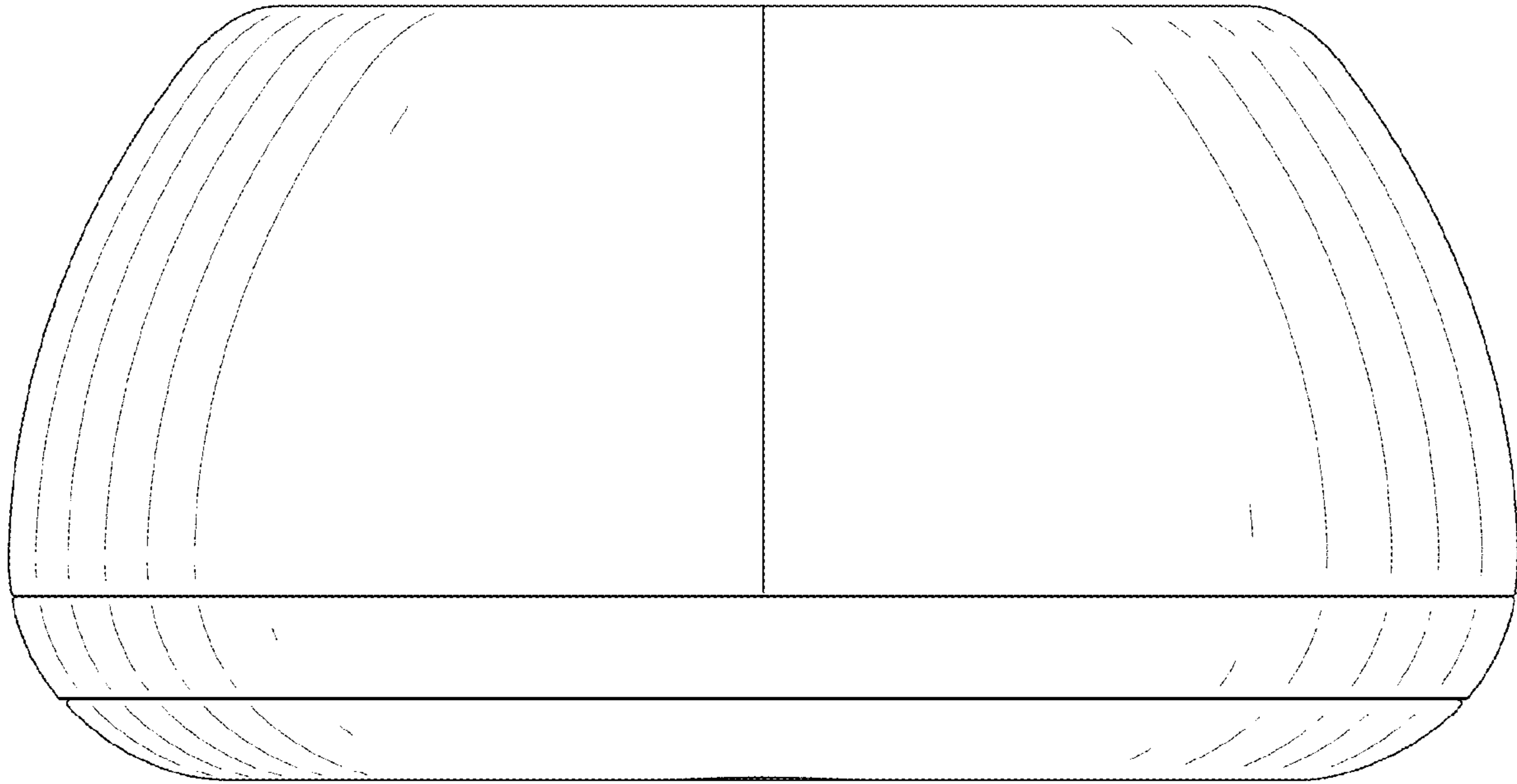


FIG. 7

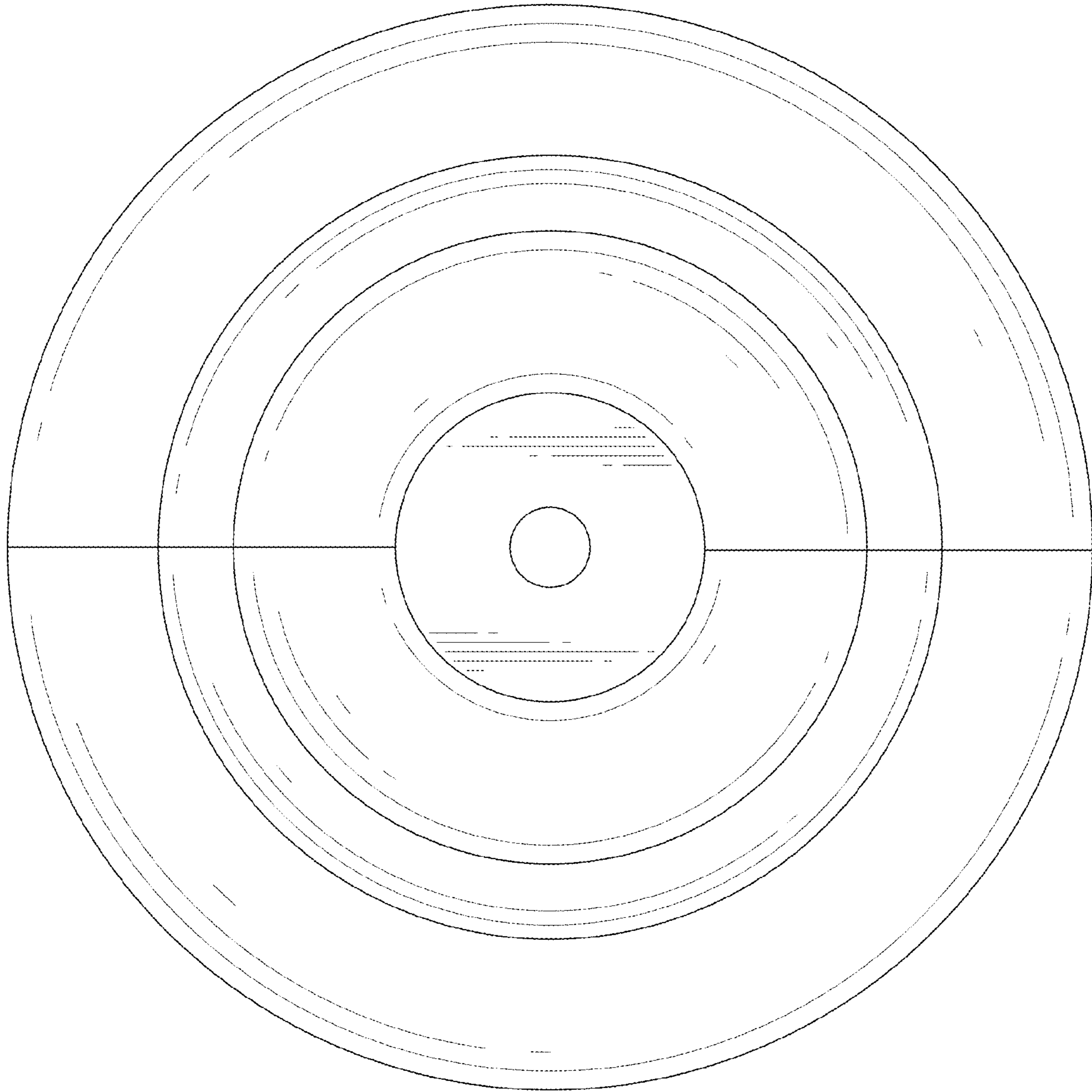


FIG. 8

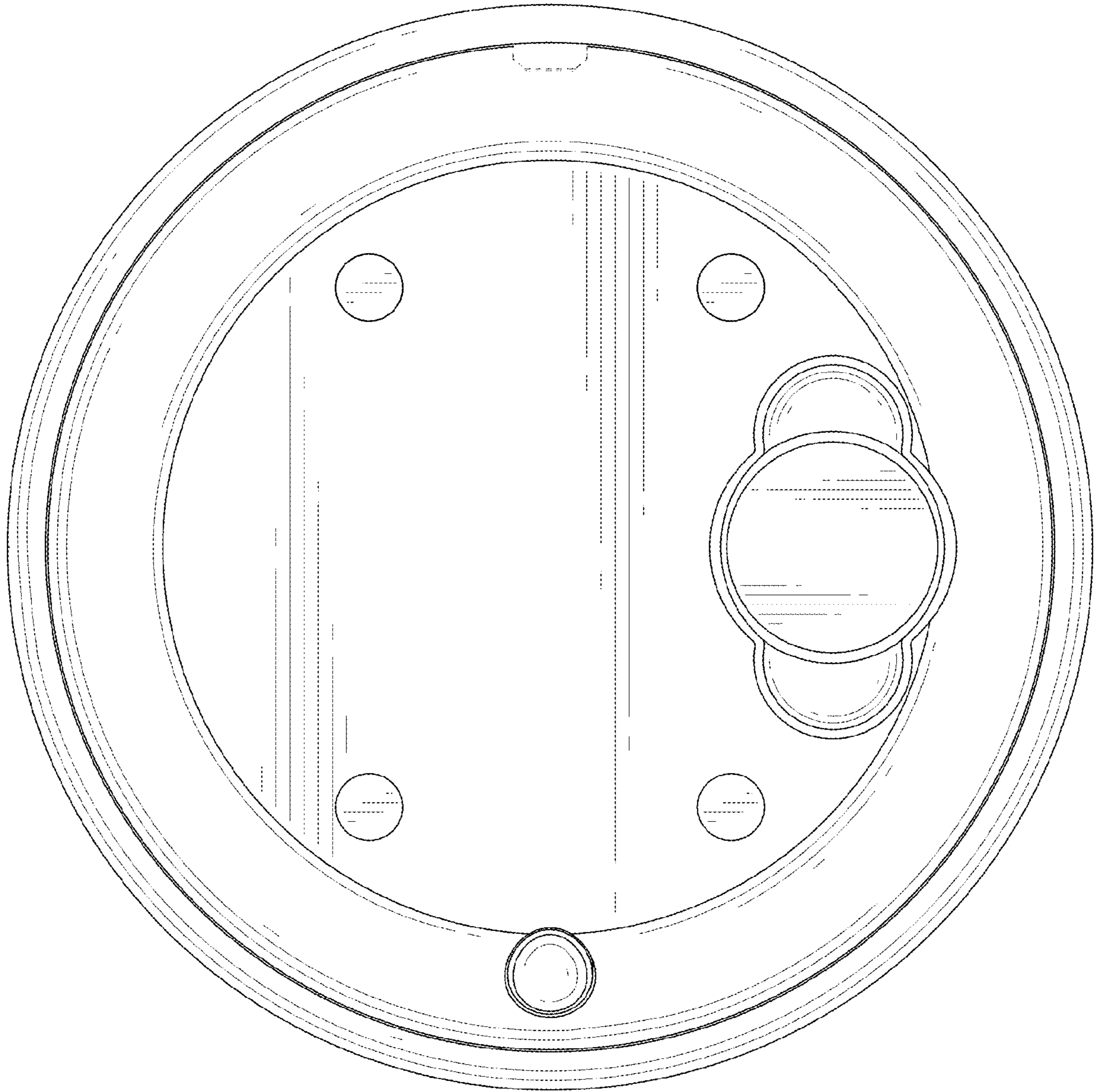


FIG. 9

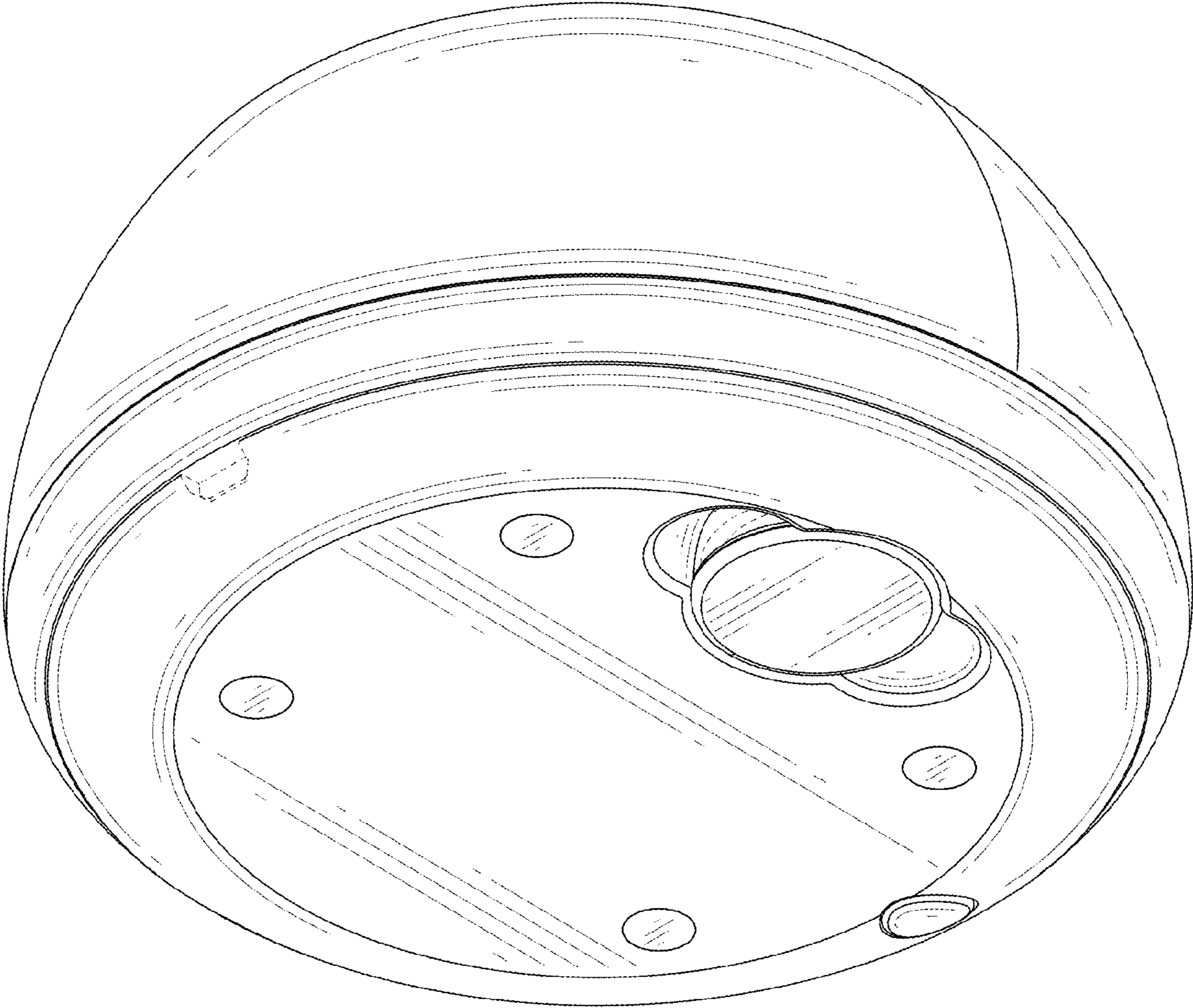


FIG. 10

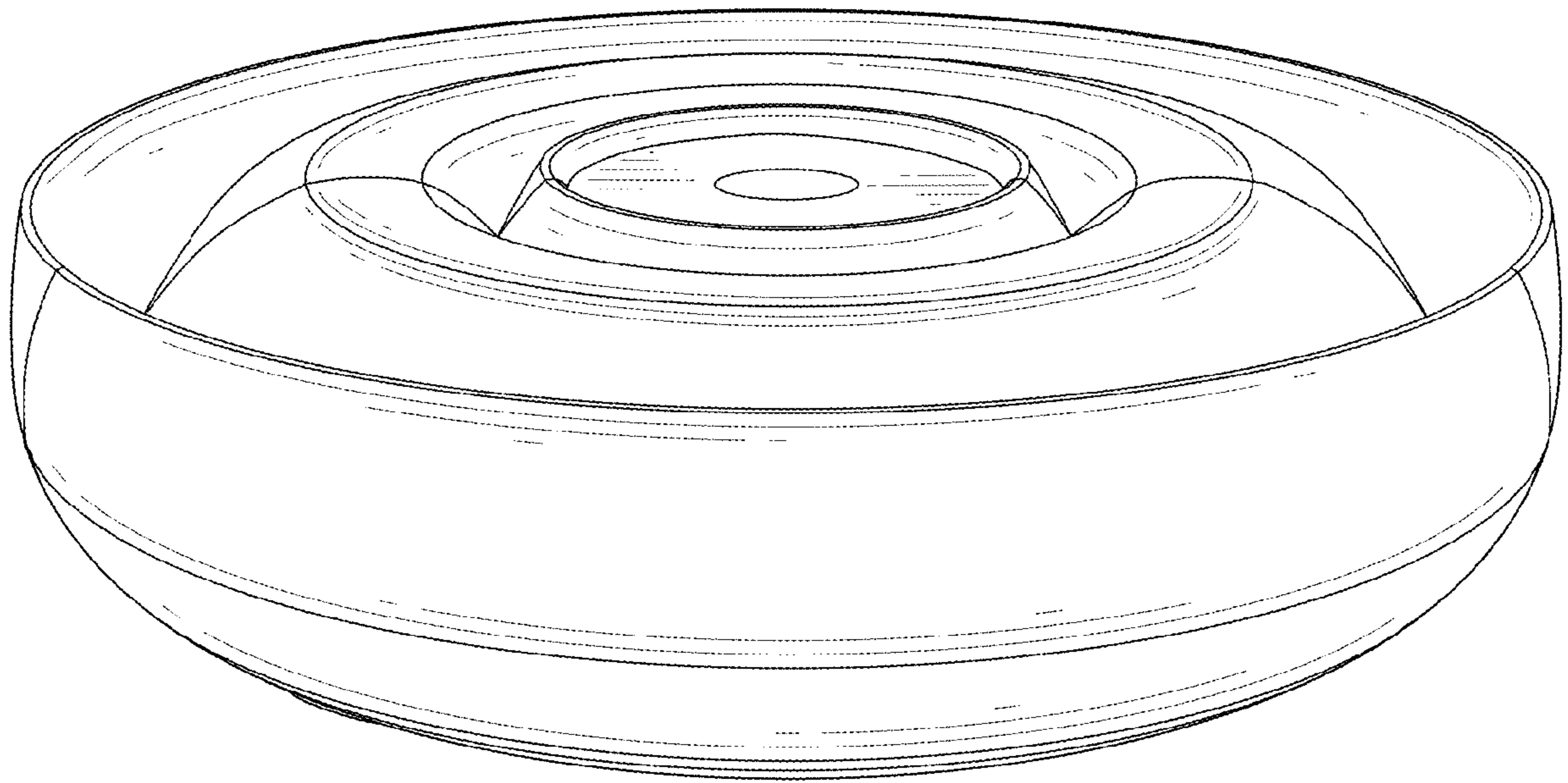


FIG. 11