



US00D895091S

(12) **United States Design Patent**
Kim et al.

(10) **Patent No.:** **US D895,091 S**

(45) **Date of Patent:** **** Sep. 1, 2020**

(54) **AIR CONDITIONER**

(74) *Attorney, Agent, or Firm* — Cantor Colburn LLP

(71) Applicant: **SAMSUNG ELECTRONICS CO., LTD.**, Suwon-si, Gyeonggi-do (KR)

(57) **CLAIM**

The ornamental design for an air conditioner, as shown and described.

(72) Inventors: **Tae Han Kim**, Suwon-si (KR);
Min-Kyung Choi, Suwon-si (KR)

DESCRIPTION

(73) Assignee: **SAMSUNG ELECTRONICS CO., LTD.**, Gyeonggi-Do (KR)

FIG. 1 is a front perspective view of a first embodiment of an air conditioner, showing our new design;

(**) Term: **15 Years**

FIG. 2 is a front view thereof;

(21) Appl. No.: **29/685,256**

FIG. 3 is a rear view thereof;

(22) Filed: **Mar. 27, 2019**

FIG. 4 is a left-side view thereof;

(30) **Foreign Application Priority Data**

FIG. 5 is a right-side view thereof;

Nov. 14, 2018 (KR) 30-2018-0052696

FIG. 6 is a top view thereof;

Nov. 14, 2018 (KR) 30-2018-0052700

FIG. 7 is a bottom view thereof;

Nov. 14, 2018 (KR) 30-2018-0052702

FIG. 8 is a rear perspective view thereof;

(51) **LOC (12) Cl.** **23-04**

FIG. 9 is an enlarged view of the portion 9 in FIG. 1;

(52) **U.S. Cl.**

FIG. 10 is an enlarged view of the portion 10 in FIG. 6;

USPC **D23/351**

FIG. 11 is a cross-sectional view thereof, taken along line 11-11 in FIG. 10;

(58) **Field of Classification Search**

USPC D23/333, 351–354, 388

FIG. 12 is a front perspective view of a second embodiment of an air conditioner, showing our new design;

(Continued)

FIG. 13 is a front view thereof;

(56) **References Cited**

U.S. PATENT DOCUMENTS

D580,031 S * 11/2008 Kim D23/351

D580,032 S * 11/2008 Kim D23/351

(Continued)

FIG. 14 is a rear view thereof;

FIG. 15 is a left-side view thereof;

FIG. 16 is a right-side view thereof;

FIG. 17 is a top view thereof;

FIG. 18 is a bottom view thereof;

FIG. 19 is a rear perspective view thereof;

FIG. 20 is an enlarged view of the portion 20 in FIG. 12;

FIG. 21 is an enlarged view of the portion 21 in FIG. 17; and,

FIG. 22 is a cross-sectional view thereof, taken along line 22-22 in FIG. 21.

The even-dash broken lines illustrating portions of the air conditioner form no part of the claimed design. The dot-dot-dash broken lines encircling enlargement portions of the claimed design form no part of the claimed design.

The thousands of tiny features of front portion are ‘micro air holes’, not the pattern.

FOREIGN PATENT DOCUMENTS

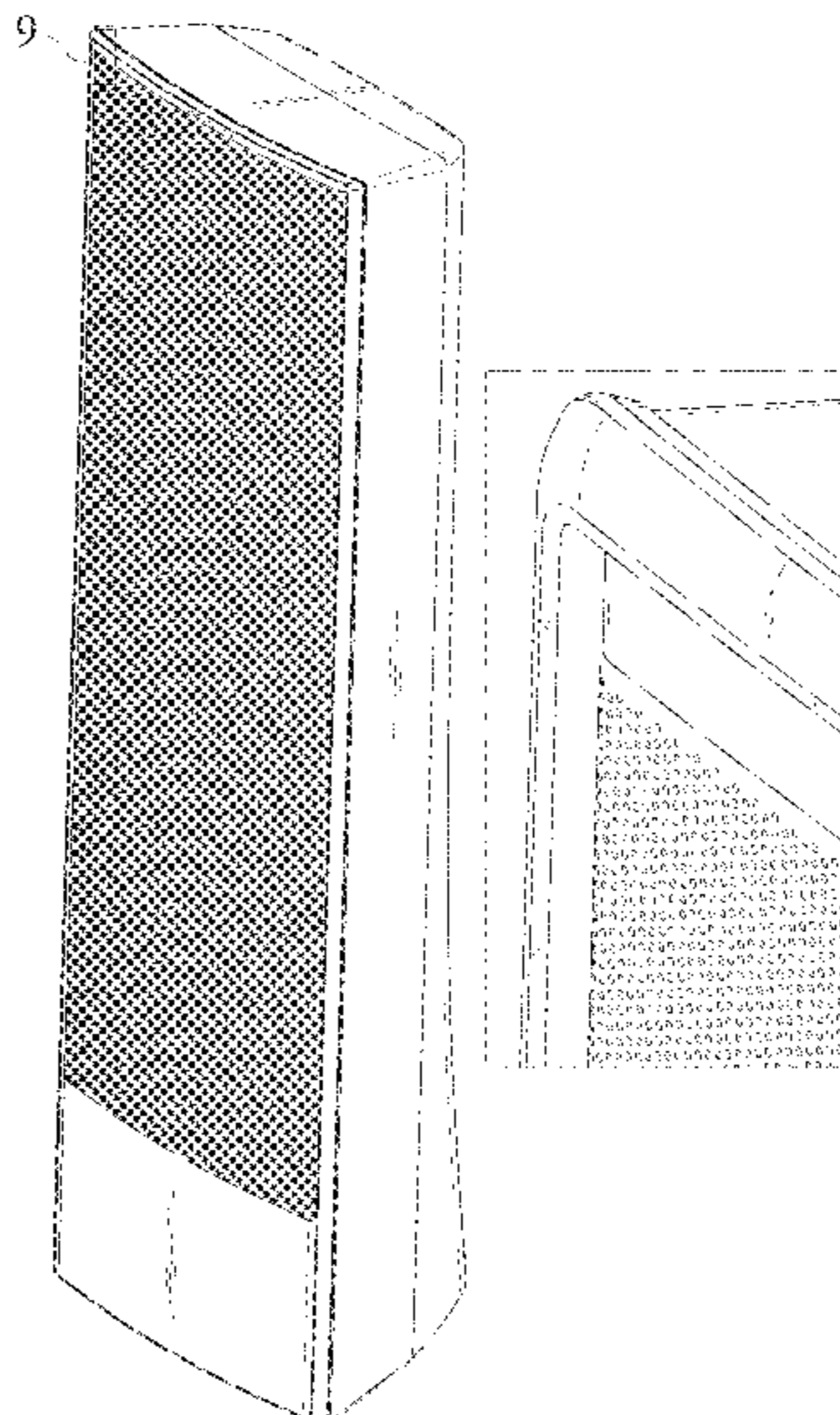
CN 302552926 S 8/2013

CN 304294153 S 9/2017

(Continued)

Primary Examiner — Natasha Vujcic

1 Claim, 22 Drawing Sheets



(58) **Field of Classification Search**

CPC F24F 1/00; F24F 1/0007; F24F 1/02; F24F 1/08; F24F 1/42; F24F 1/56; F24F 1/60; F24F 3/044; F24F 3/048; F24F 3/16; G05D 23/1905; G05D 23/1932; G05D 23/1902; G05D 23/1931; G05B 19/0426; G05B 19/409; G05B 15/02

See application file for complete search history.

(56) **References Cited**

U.S. PATENT DOCUMENTS

D689,994	S	*	9/2013	Jun	D23/351
D701,596	S	*	3/2014	Yoo	D23/351
D717,419	S	*	11/2014	Choi	D23/351
D735,843	S	*	8/2015	Sunwoo	D23/333
D778,416	S	*	2/2017	Bu	D23/351
D797,268	S	*	9/2017	Park	D23/351
D799,656	S	*	10/2017	Park	D23/351
D800,880	S	*	10/2017	Kim	D23/351
D814,000	S	*	3/2018	Qiao	D23/333
D815,264	S	*	4/2018	Park	D23/351
D819,189	S	*	5/2018	Chen	D23/332
D827,799	S	*	9/2018	Shin	D23/364
D840,525	S	*	2/2019	Park	D23/351
D840,526	S	*	2/2019	Park	D23/351
D841,140	S	*	2/2019	Chen	D23/336
D858,736	S	*	9/2019	Lewis	D23/378

FOREIGN PATENT DOCUMENTS

JP	D1425624	S	10/2011
KR	300675710	S	1/2013
KR	300849759	S	4/2016

* cited by examiner

FIG. 1

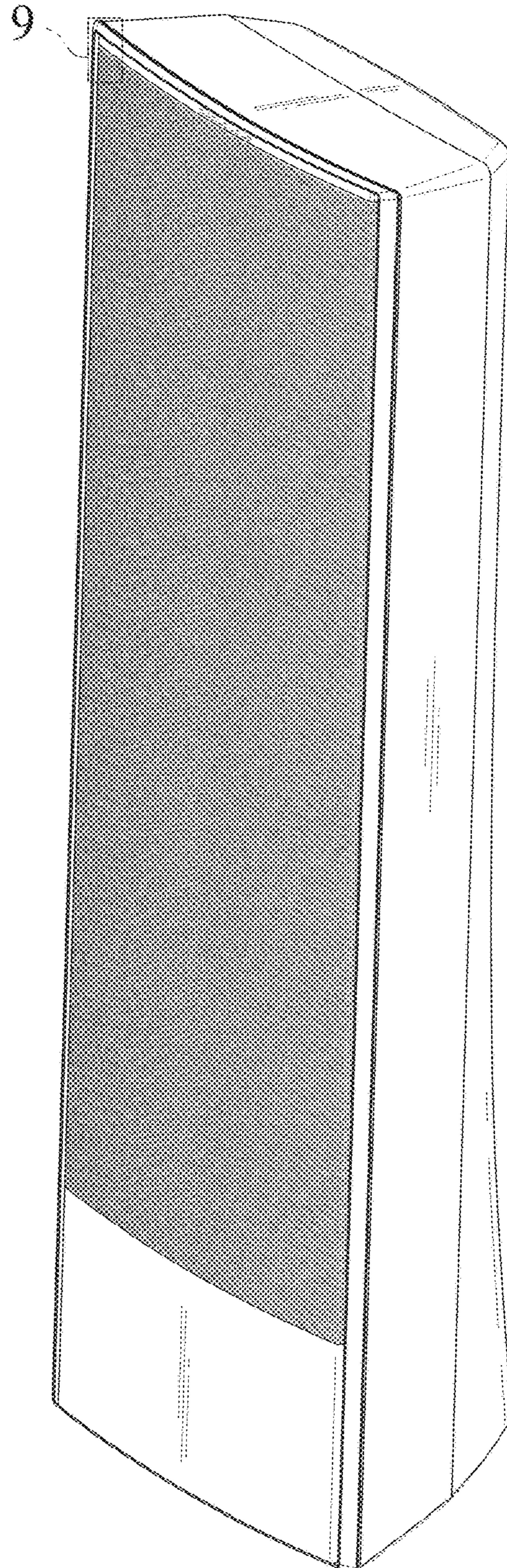


FIG. 2

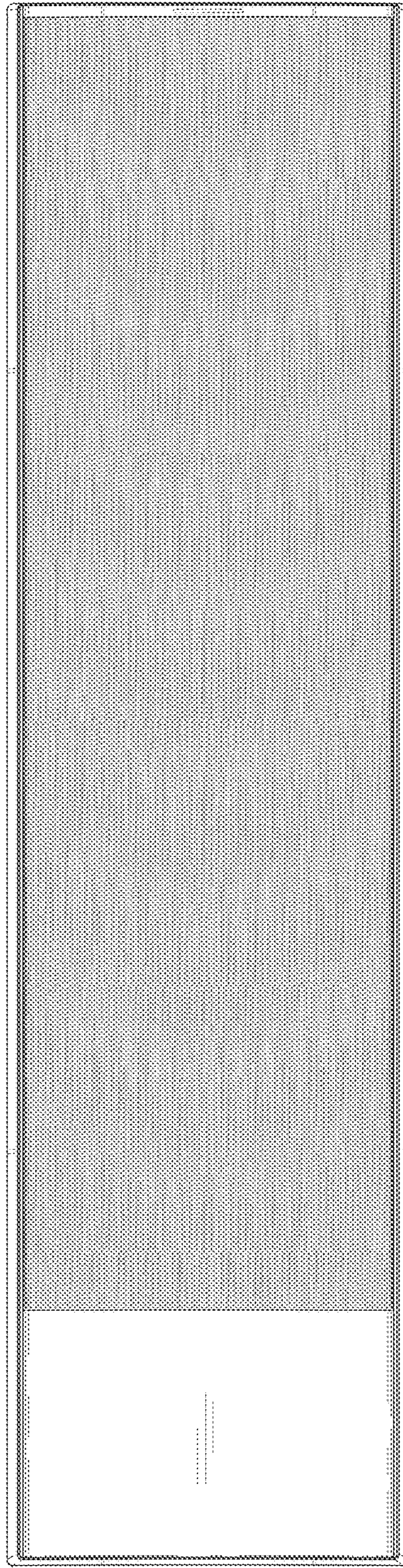


FIG. 3

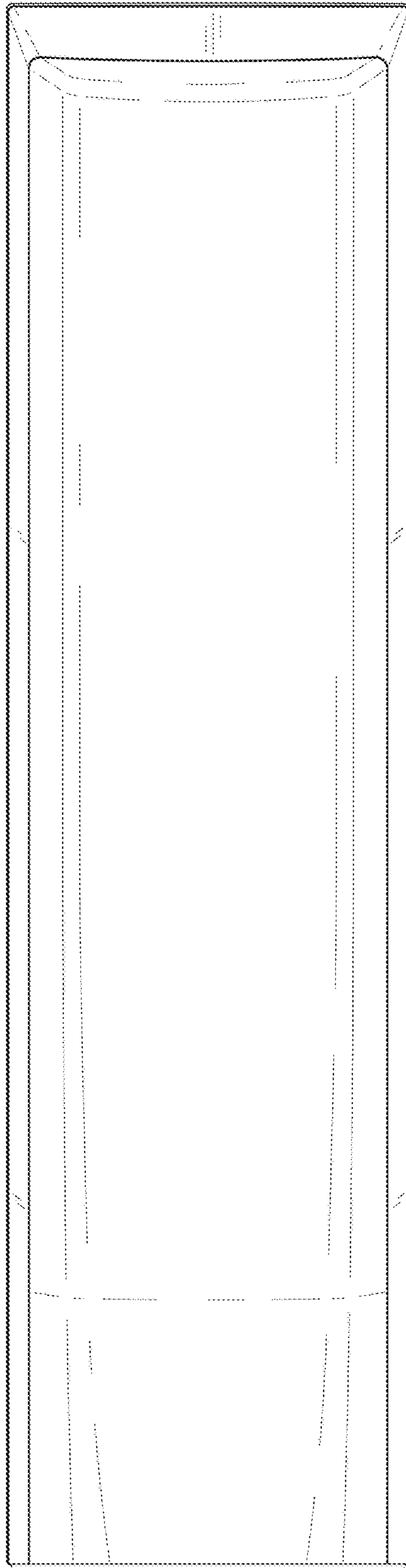


FIG. 4

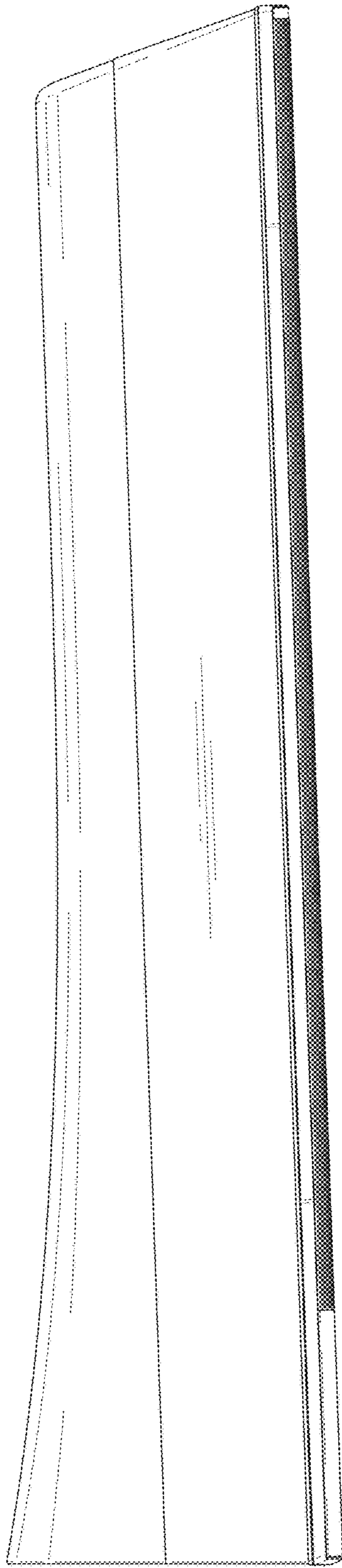


FIG. 5

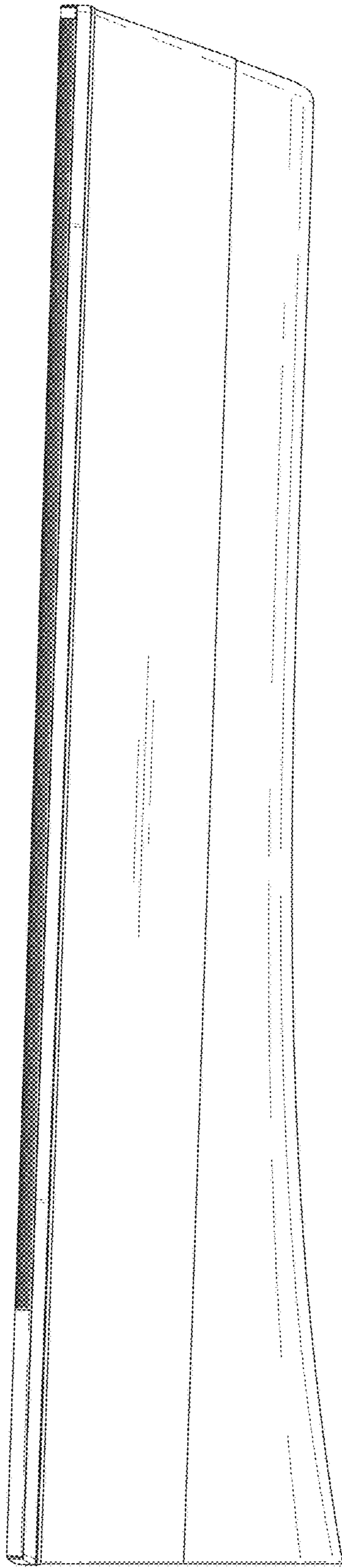


FIG. 6

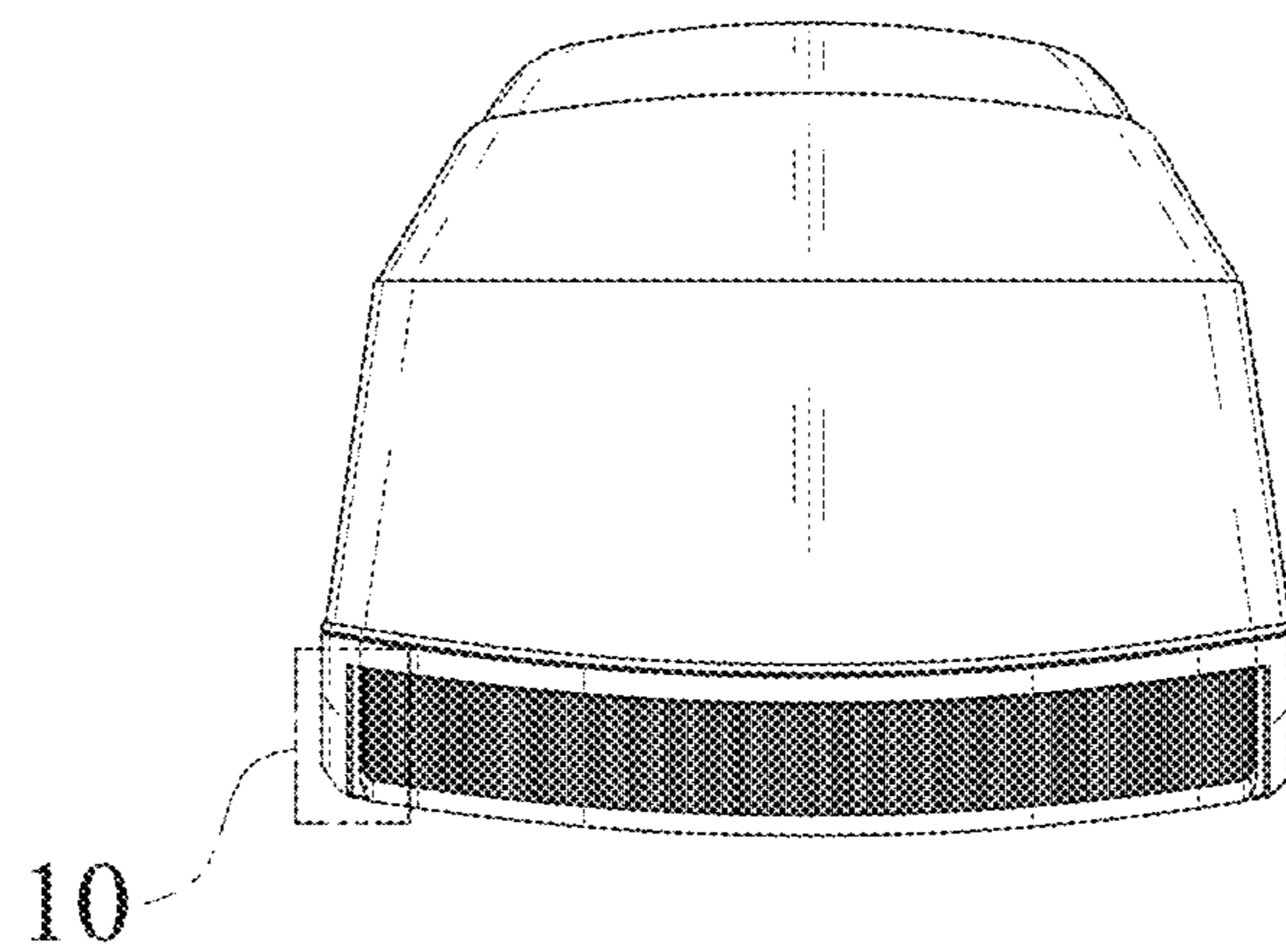


FIG. 7

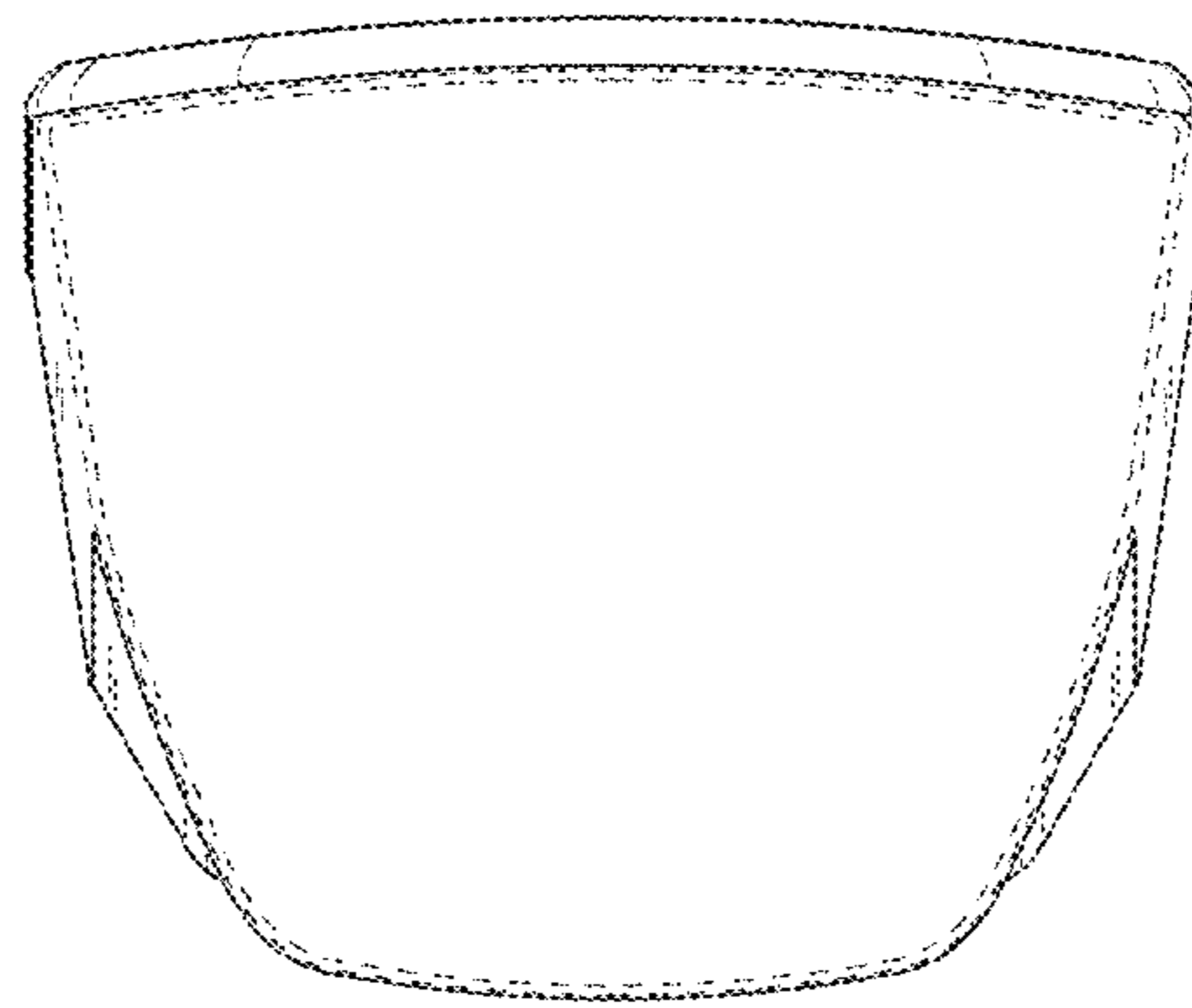


FIG. 8

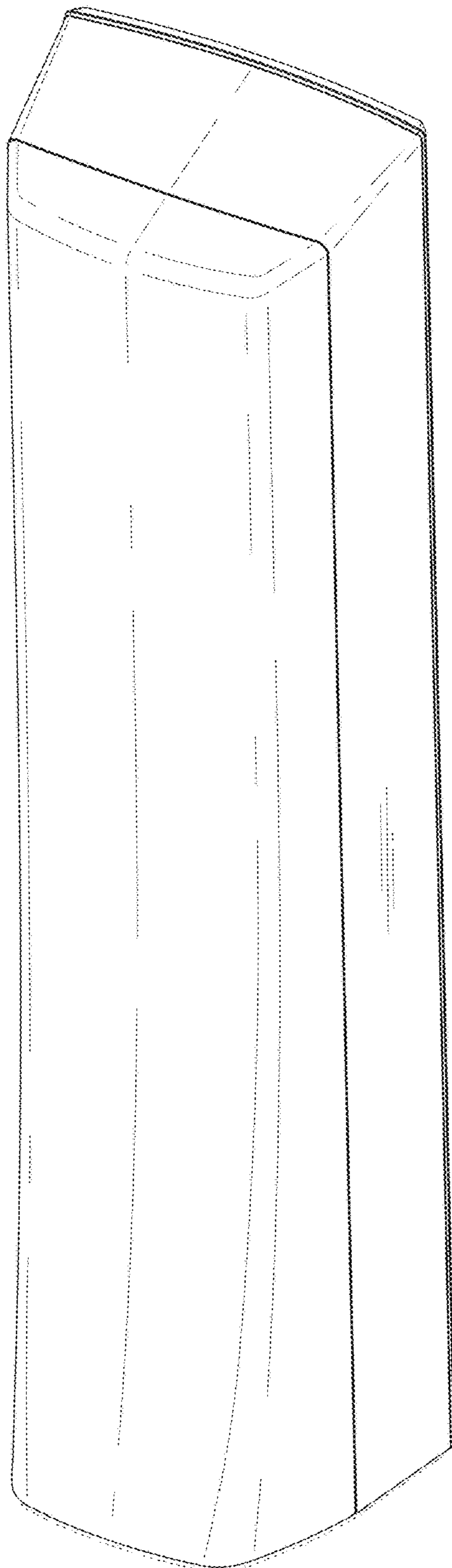


FIG. 9

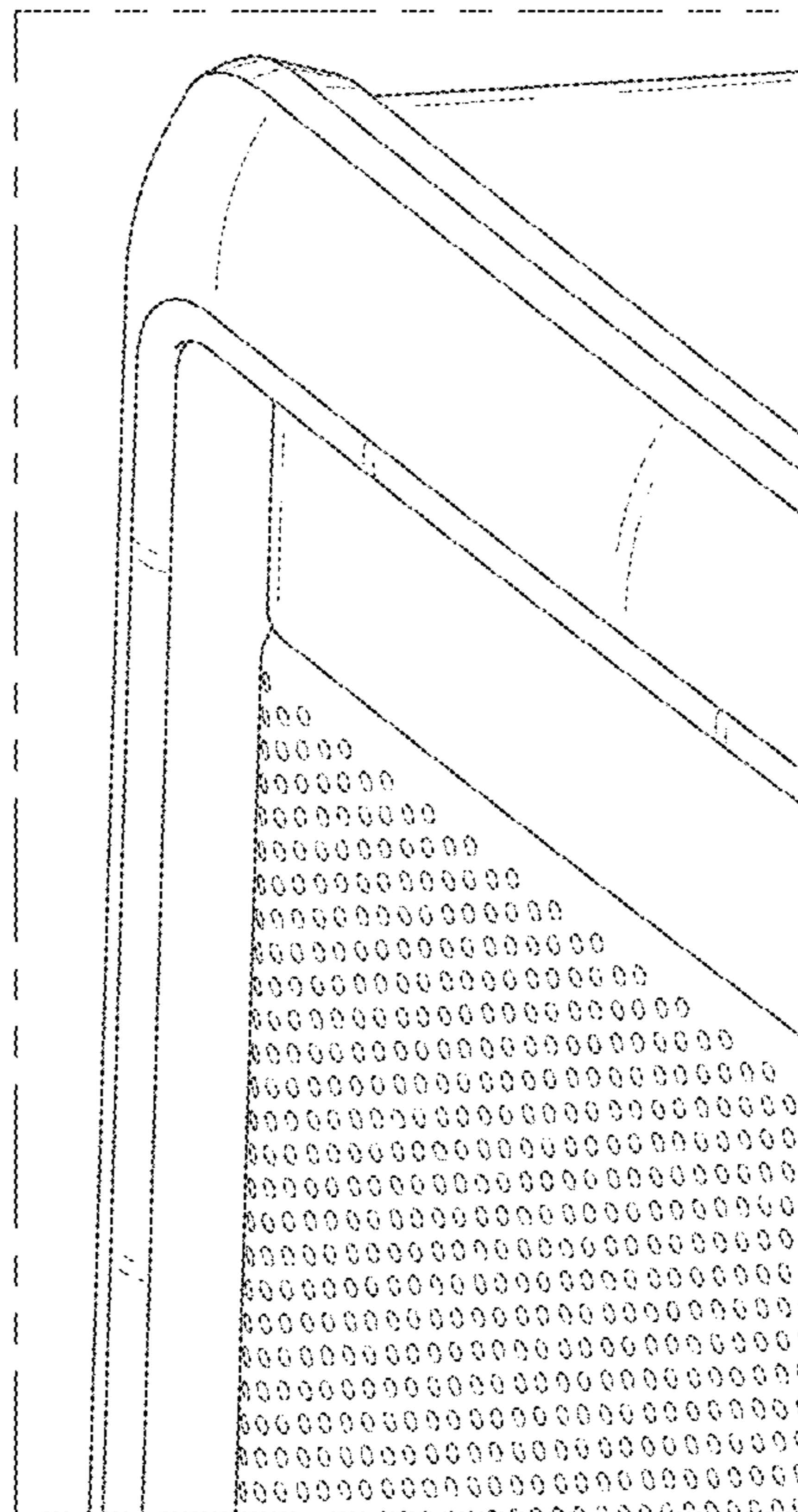


FIG. 10

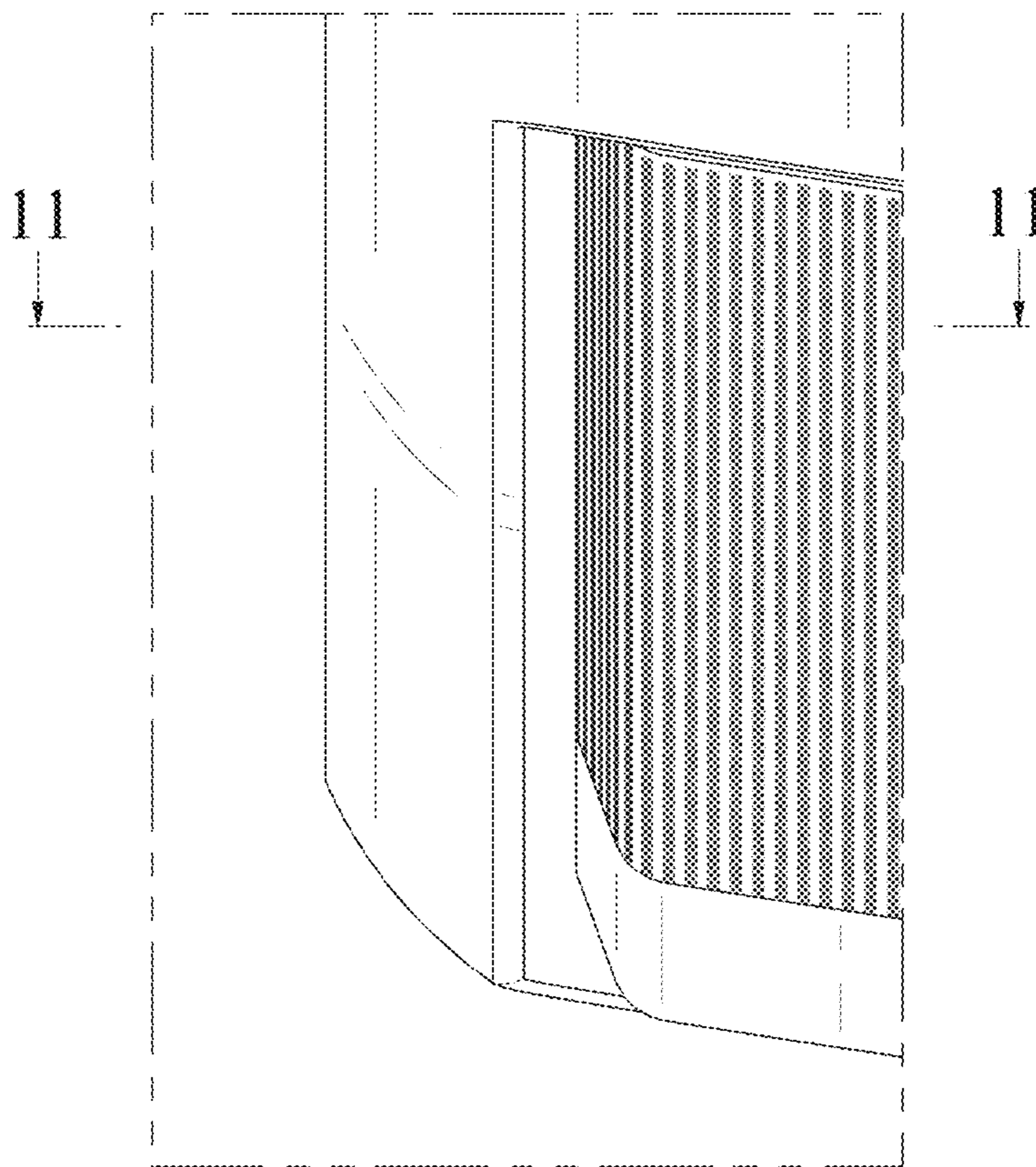


FIG. 11

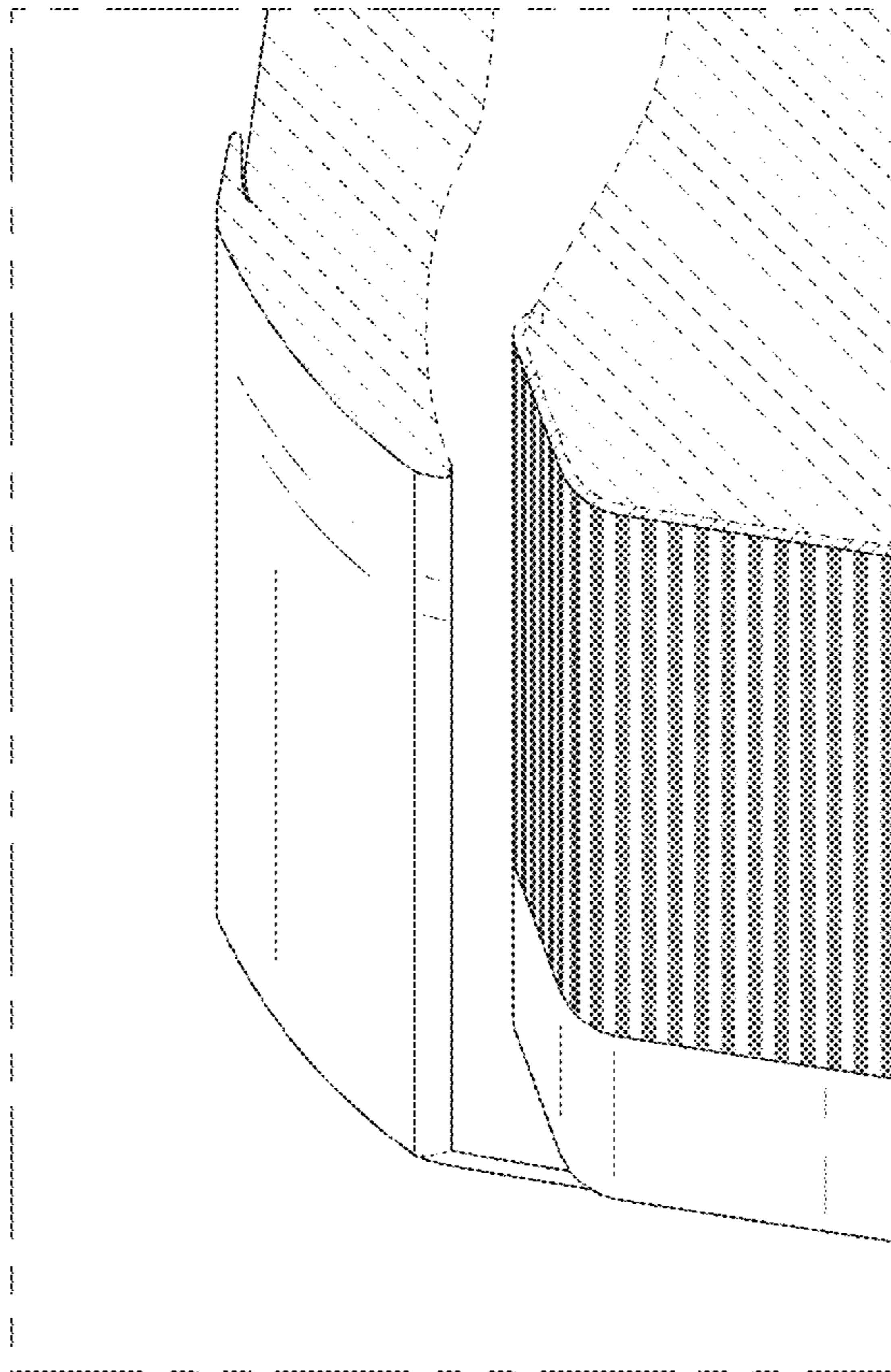


FIG. 12

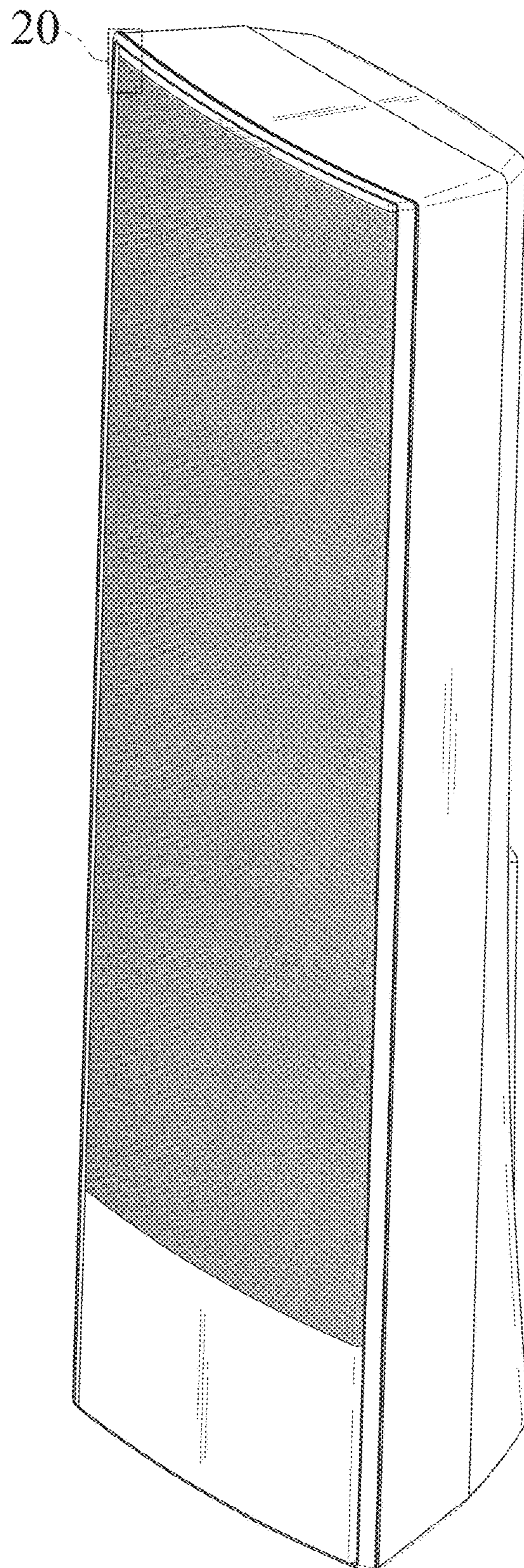


FIG. 13

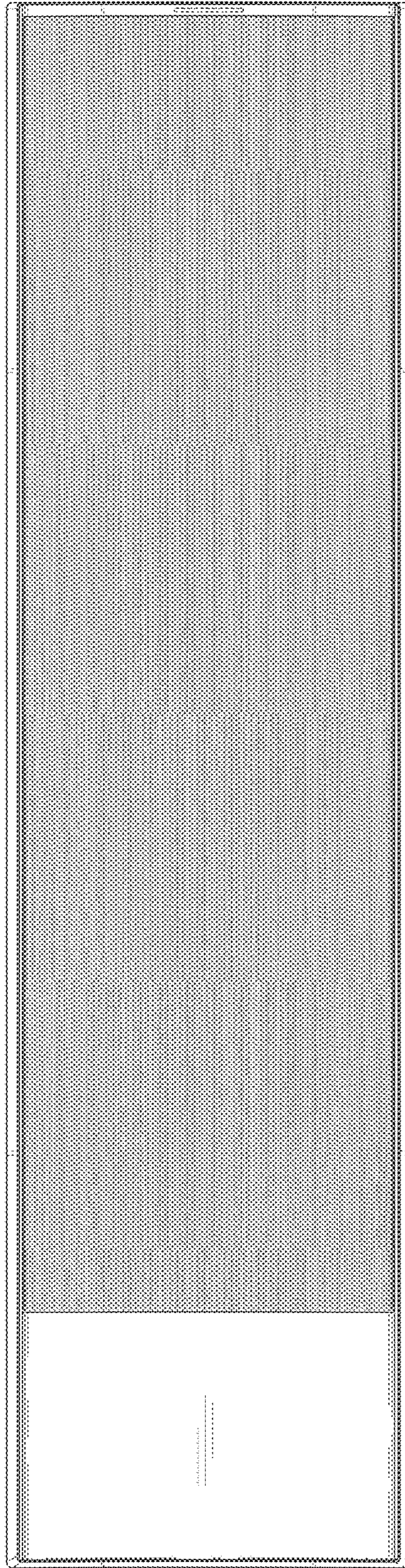


FIG. 14

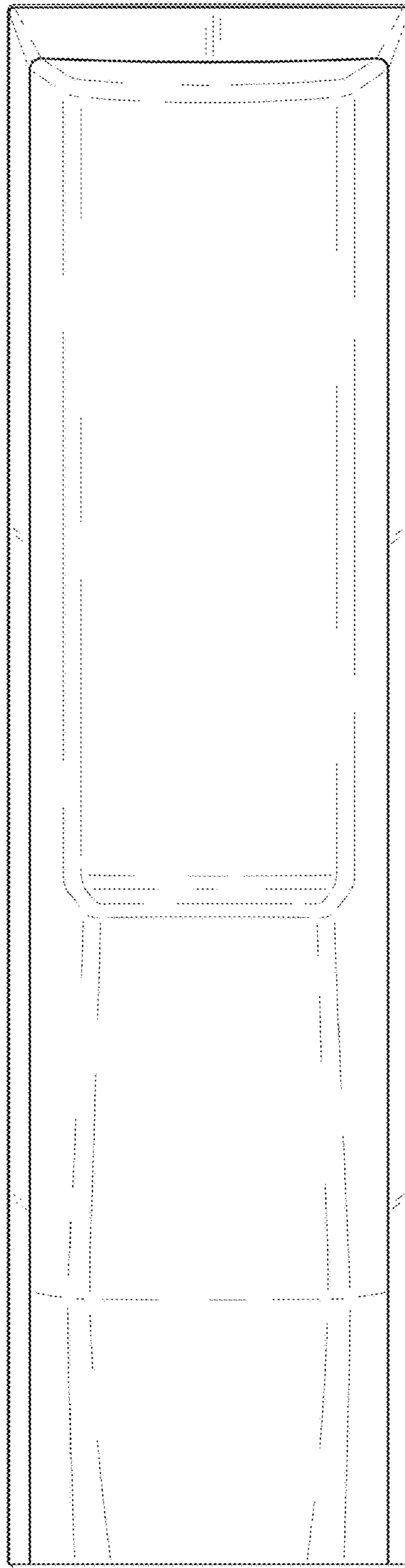


FIG. 15

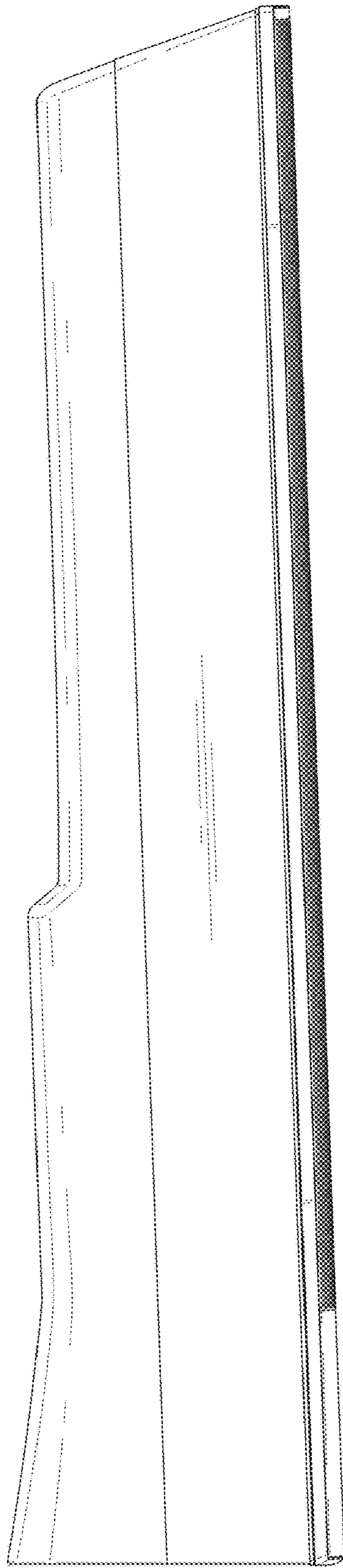


FIG. 16

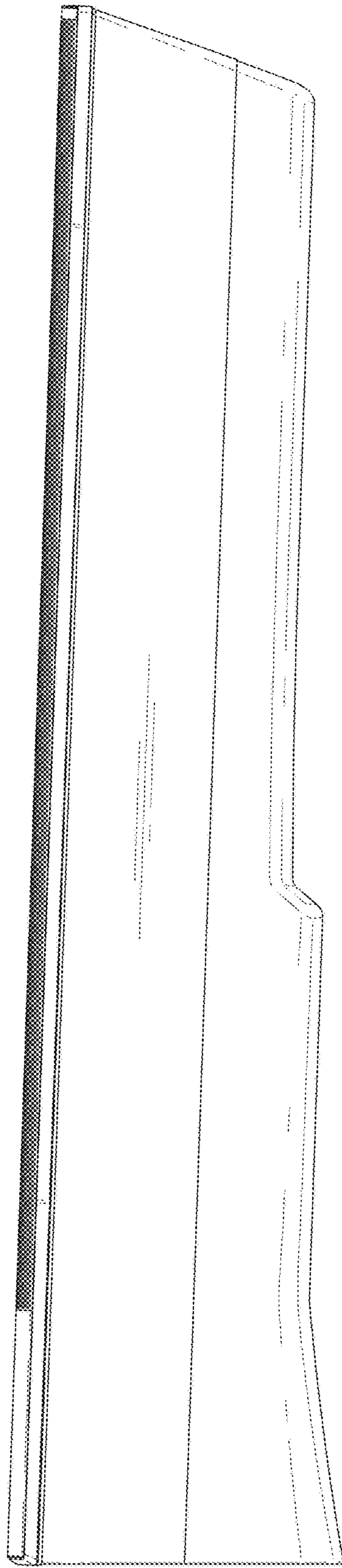


FIG. 17

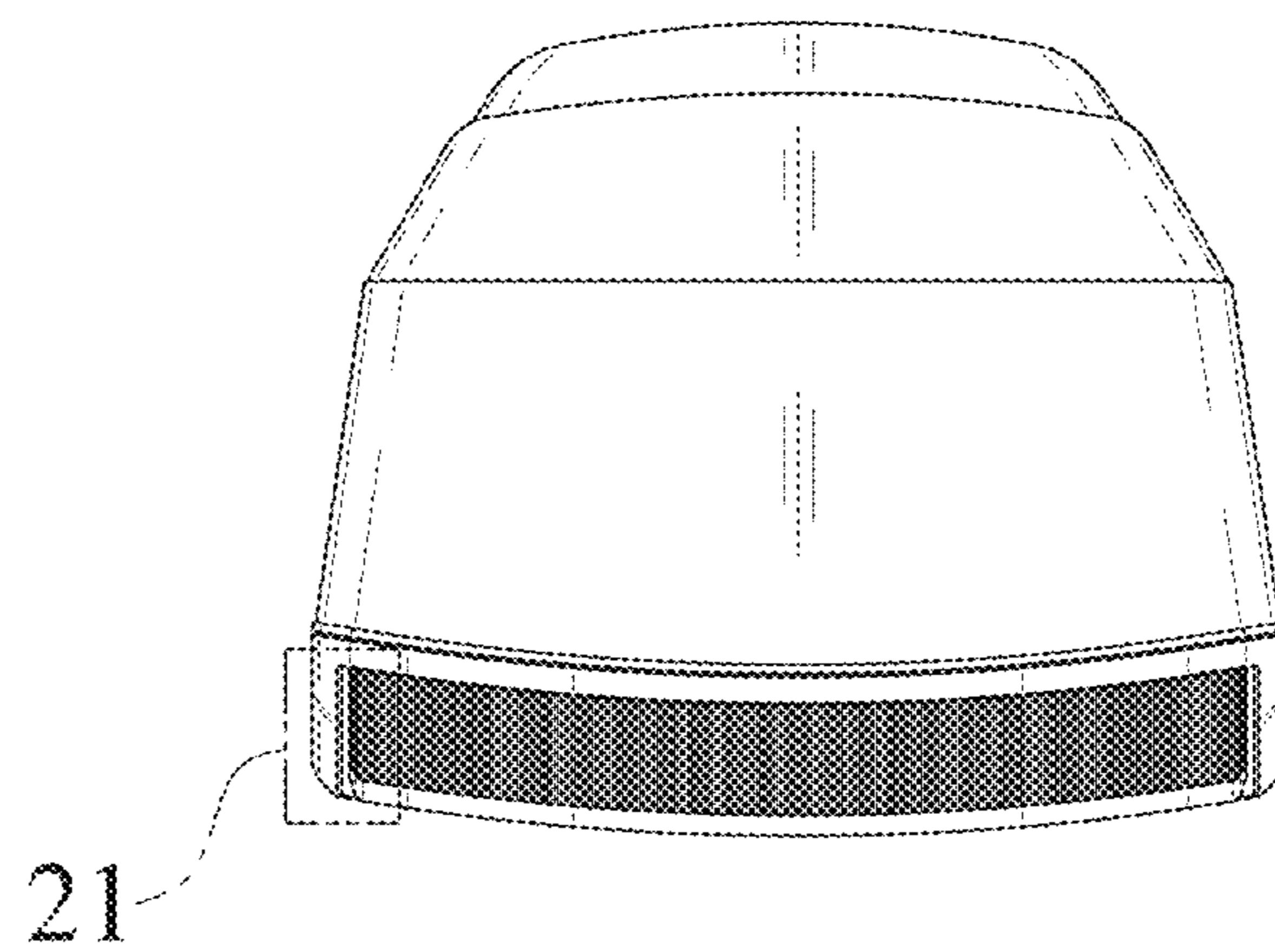


FIG. 18

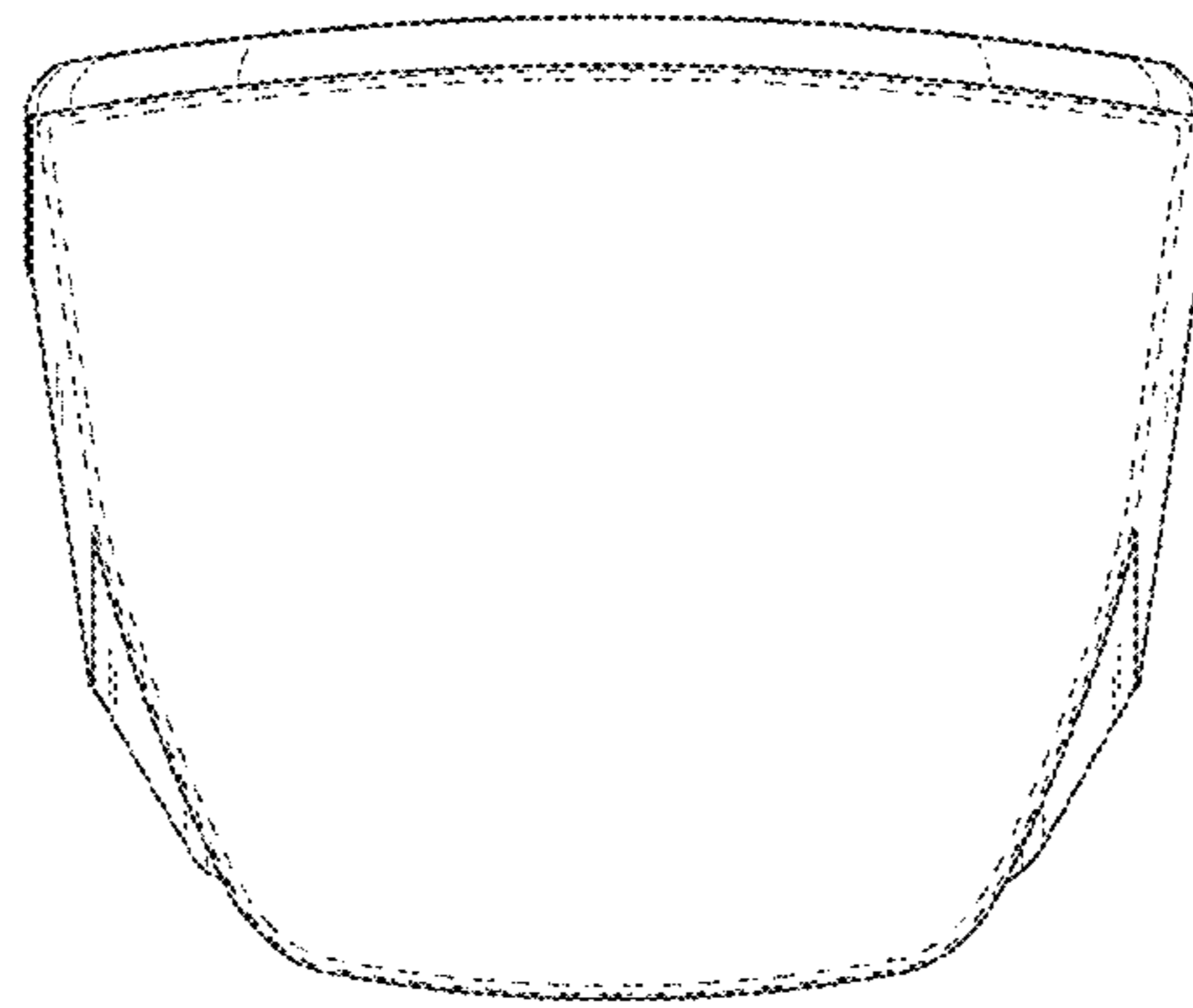


FIG. 19

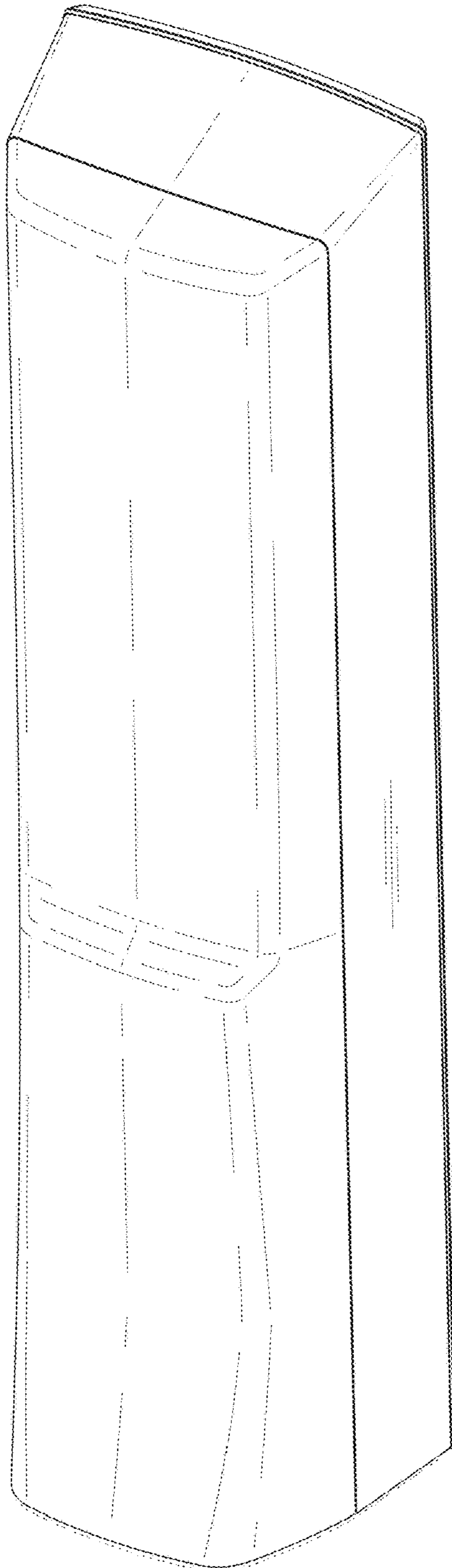


FIG. 20

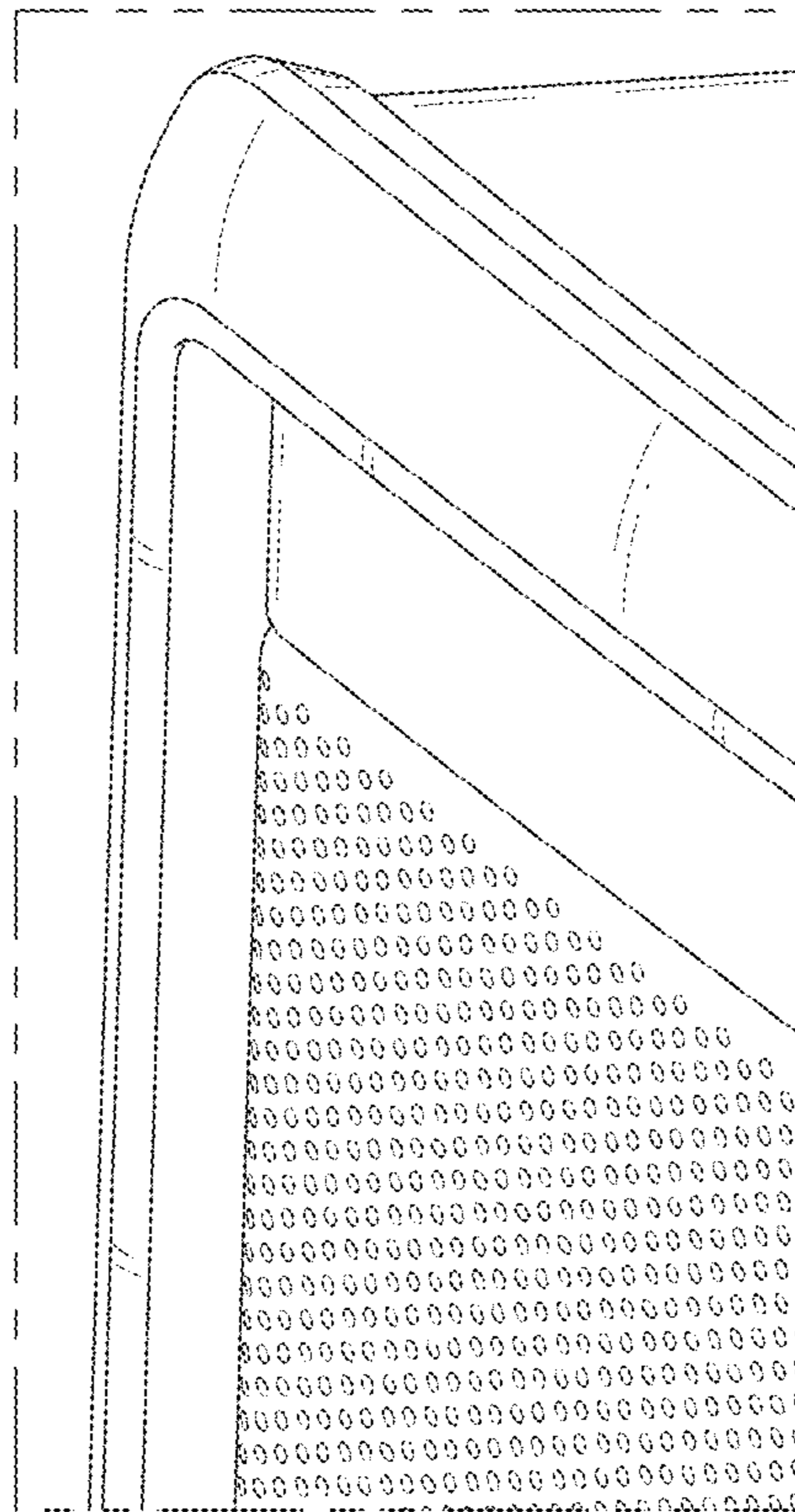


FIG. 21

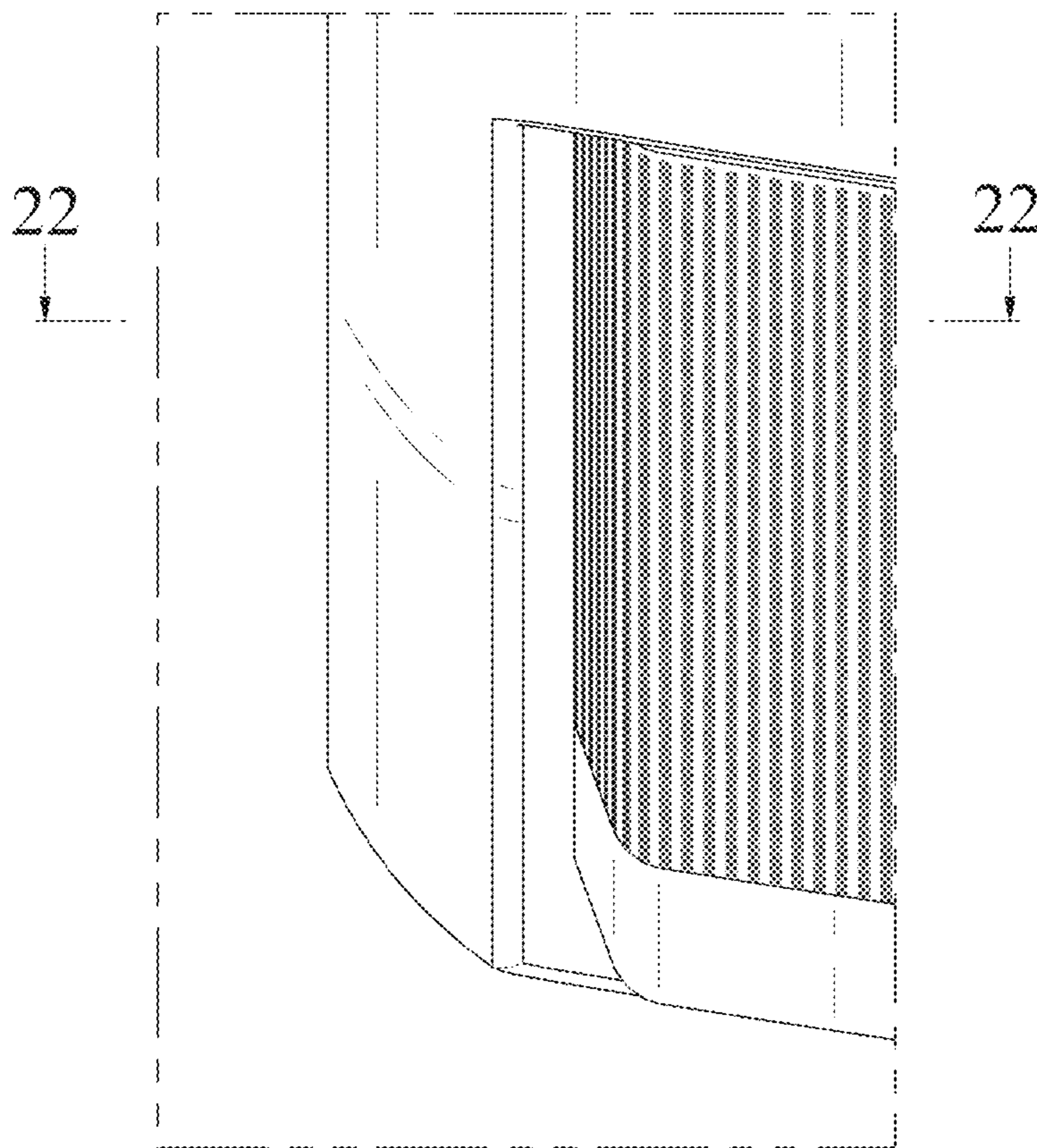


FIG. 22

