



US00D895089S

(12) **United States Design Patent** (10) **Patent No.:** **US D895,089 S**
Labbani et al. (45) **Date of Patent:** **** Sep. 1, 2020**

(54) **FRONT MOUNT CONDENSER COVER**

(56) **References Cited**

(71) Applicants: **Abdollah Labbani**, Coquitlam (CA);
Connor Dueck, Coquitlam (CA); **Saeed Zaari**, Vancouver (CA); **Peter Johnston**, Vancouver (CA)

U.S. PATENT DOCUMENTS

D56,579 S *	11/1920	Bartholomew	D23/324
D193,962 S *	10/1962	Wenig	D23/342
D266,870 S *	11/1982	Allard	D23/325
D283,437 S *	4/1986	Neimy	D23/325
D309,346 S *	7/1990	Allard	D23/325
D310,711 S *	9/1990	Welch	D23/325
D311,244 S *	10/1990	Allard	D23/325
D394,695 S *	5/1998	Blais	D23/330
D715,416 S *	10/2014	Marino	D23/342
D856,499 S *	8/2019	Labbani-Motlagh	D23/325

(72) Inventors: **Abdollah Labbani**, Coquitlam (CA);
Connor Dueck, Coquitlam (CA); **Saeed Zaari**, Vancouver (CA); **Peter Johnston**, Vancouver (CA)

* cited by examiner

(73) Assignee: **Volta Air Technology Inc.**, Richmond, BC (CA)

Primary Examiner — T Chase Nelson

Assistant Examiner — Ania Aman

(**) Term: **15 Years**

(74) *Attorney, Agent, or Firm* — Nexus Law Group LLP

(21) Appl. No.: **29/689,385**

(57) **CLAIM**

The ornamental design for a front mount condenser cover, as shown and described.

(22) Filed: **Apr. 29, 2019**

(51) **LOC (12) Cl.** **12-16**

DESCRIPTION

(52) **U.S. Cl.**

USPC **D23/325**

(58) **Field of Classification Search**

USPC D23/325, 342, 314, 318, 324, 323, 387;

D6/432, 472; D10/49, 50; D13/125

CPC B60H 1/3232; B60H 1/262; B60H 1/246;

B60H 1/26; B60H 1/00364; B60H

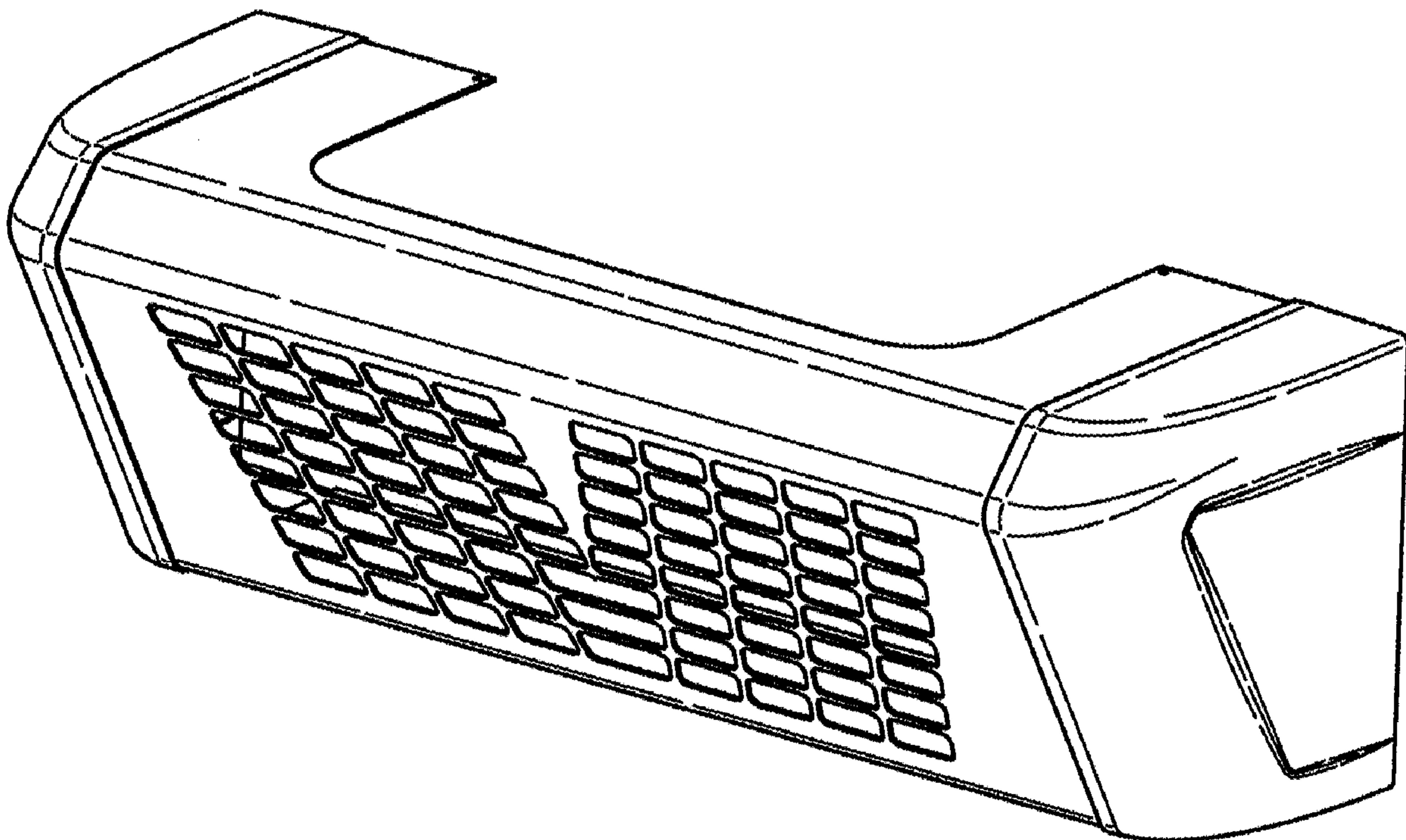
1/00535; B60H 1/004; B60H 1/3229;

B60H 1/00514; B60P 3/20; F25D 23/00

See application file for complete search history.

FIG. 1 is a perspective view of a front mount condenser cover showing the new design;
FIG. 2 is a front view thereof;
FIG. 3 is a back view thereof;
FIG. 4 is a top view thereof;
FIG. 5 is a bottom view thereof;
FIG. 6 is a left side view thereof; and,
FIG. 7 is a right side view thereof.

1 Claim, 4 Drawing Sheets



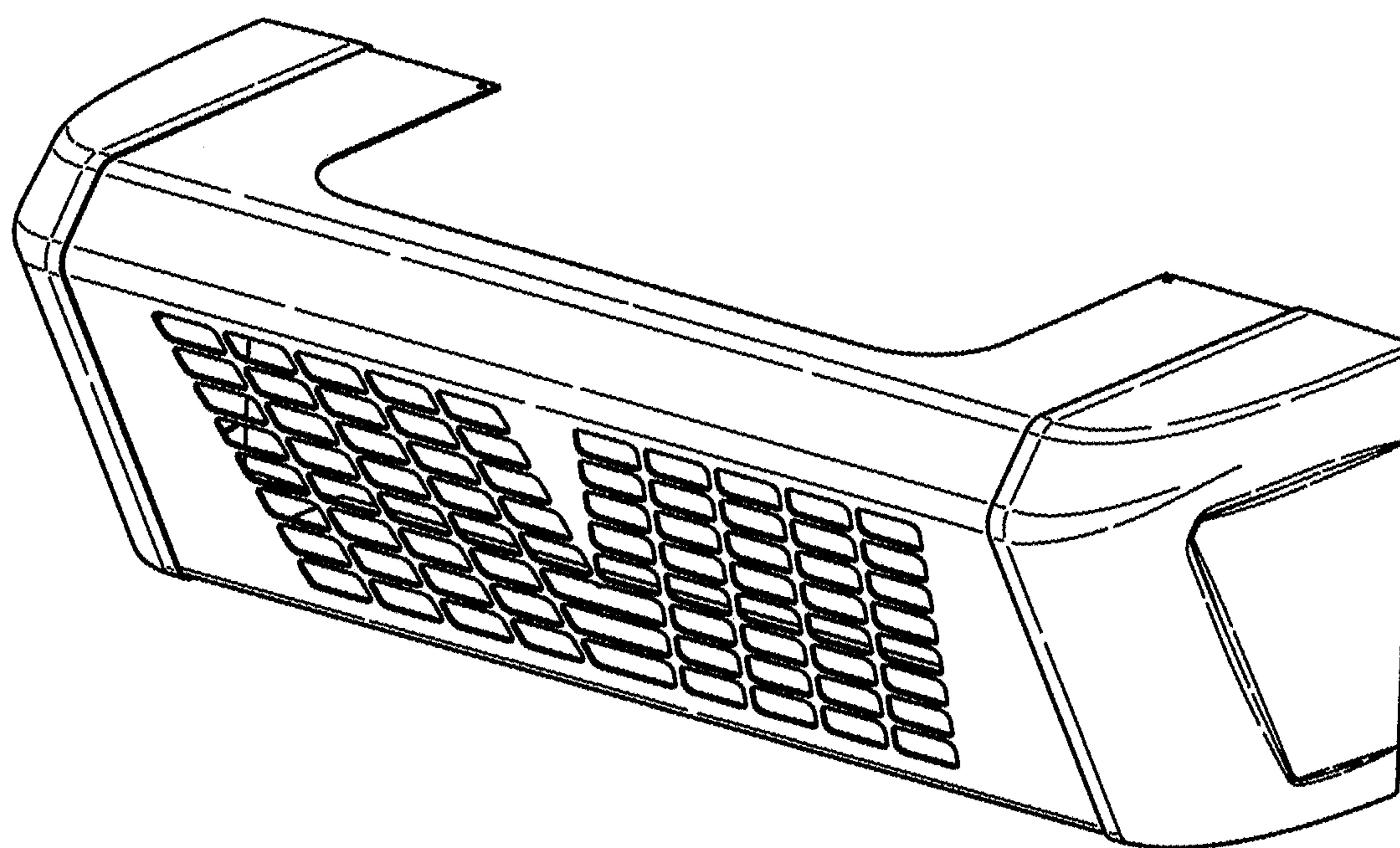


FIG. 1

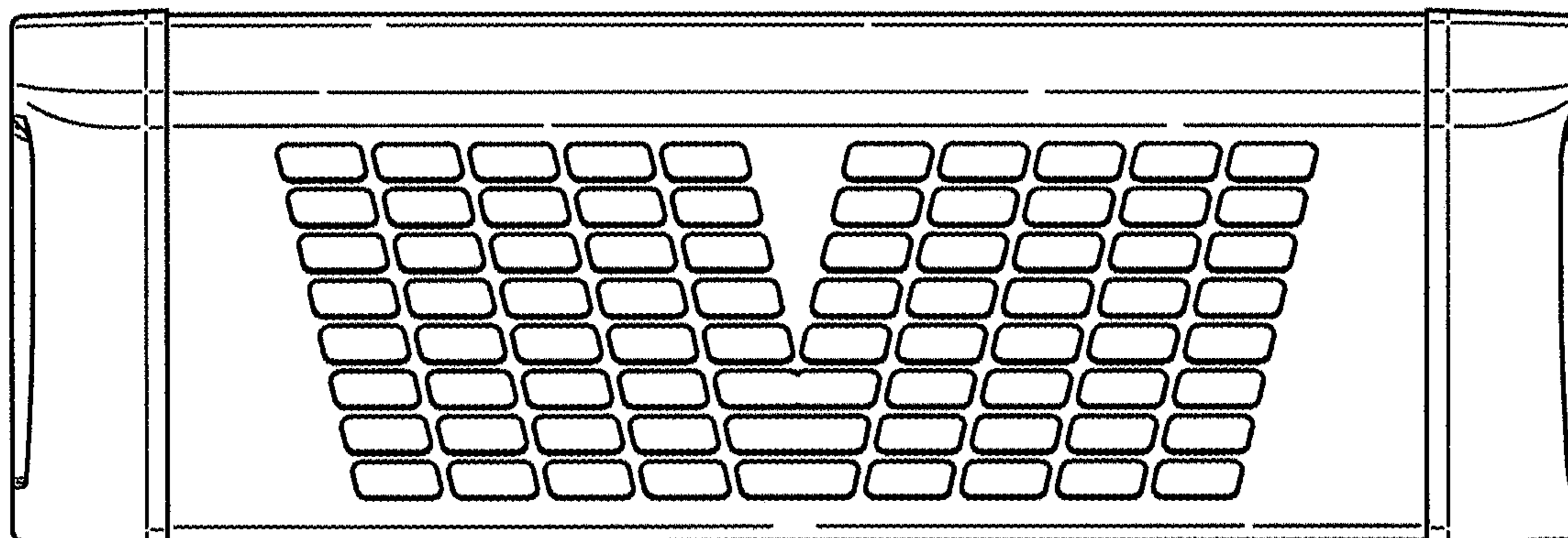


FIG. 2

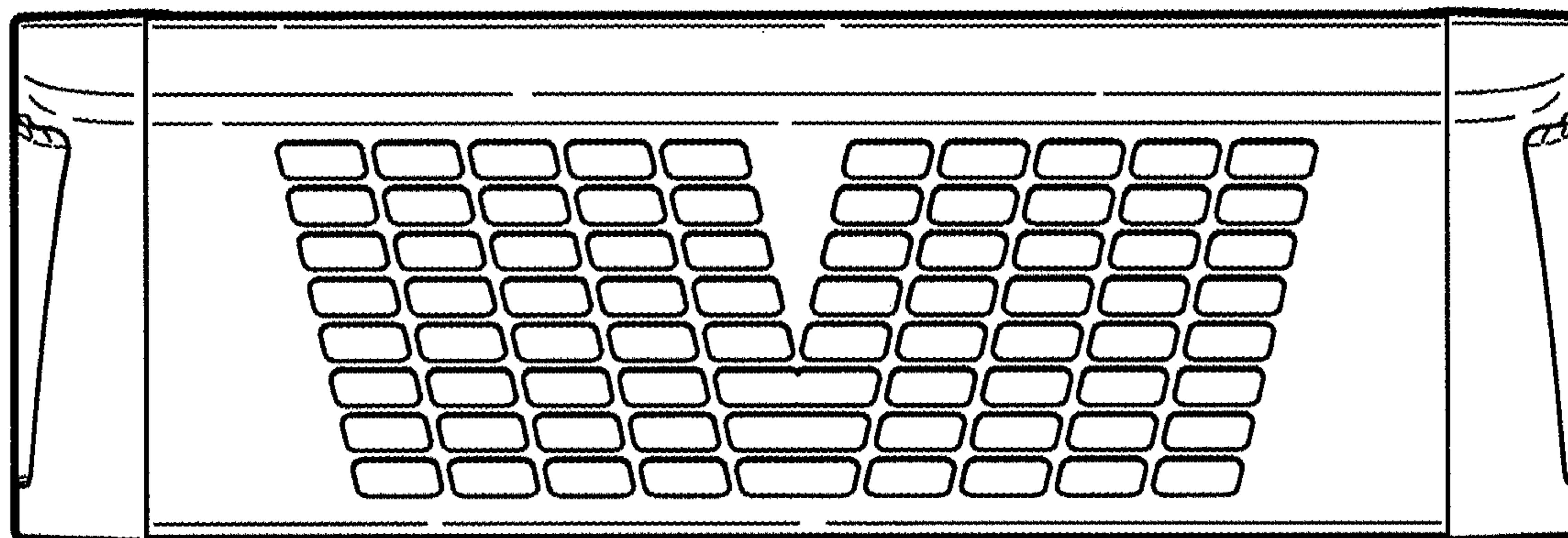


FIG. 3

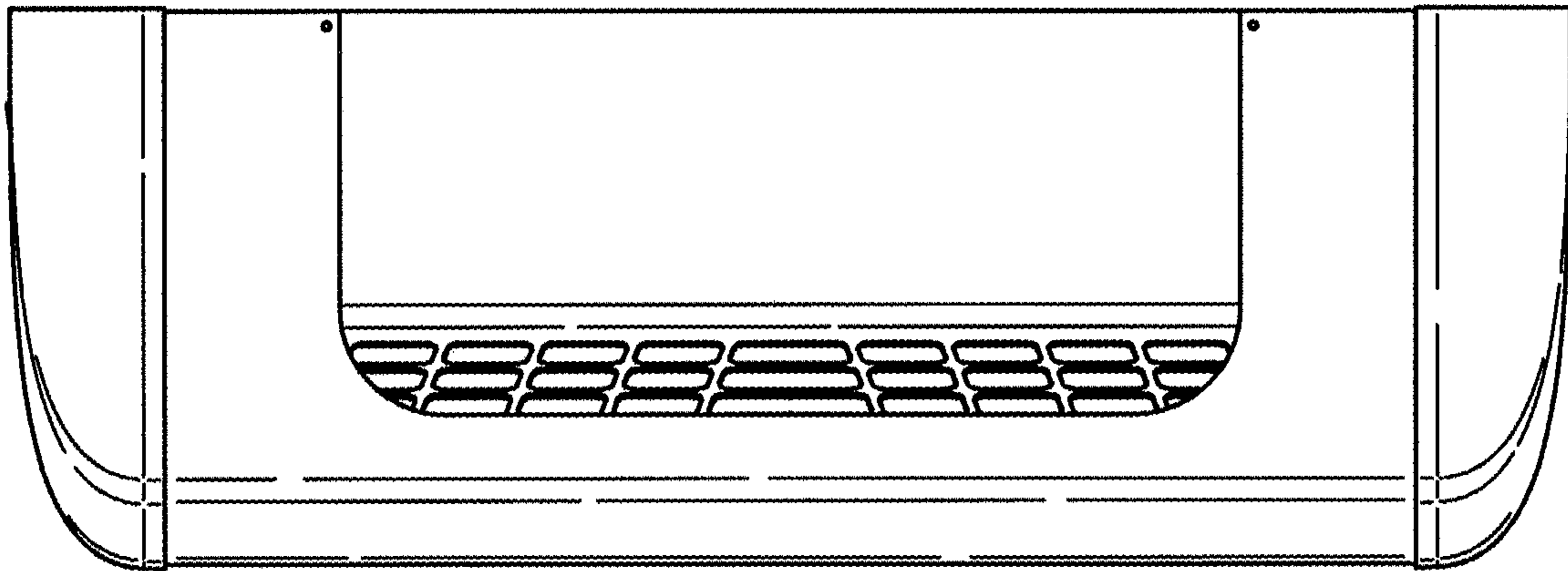


FIG. 4

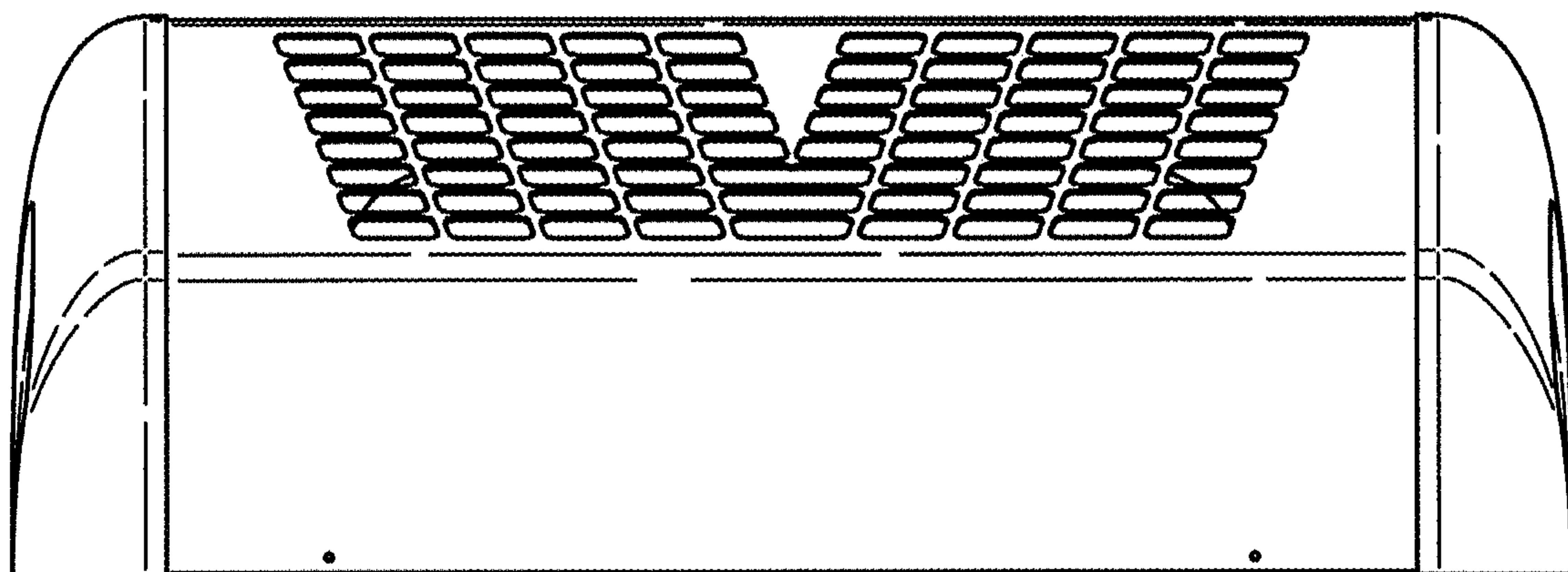


FIG. 5

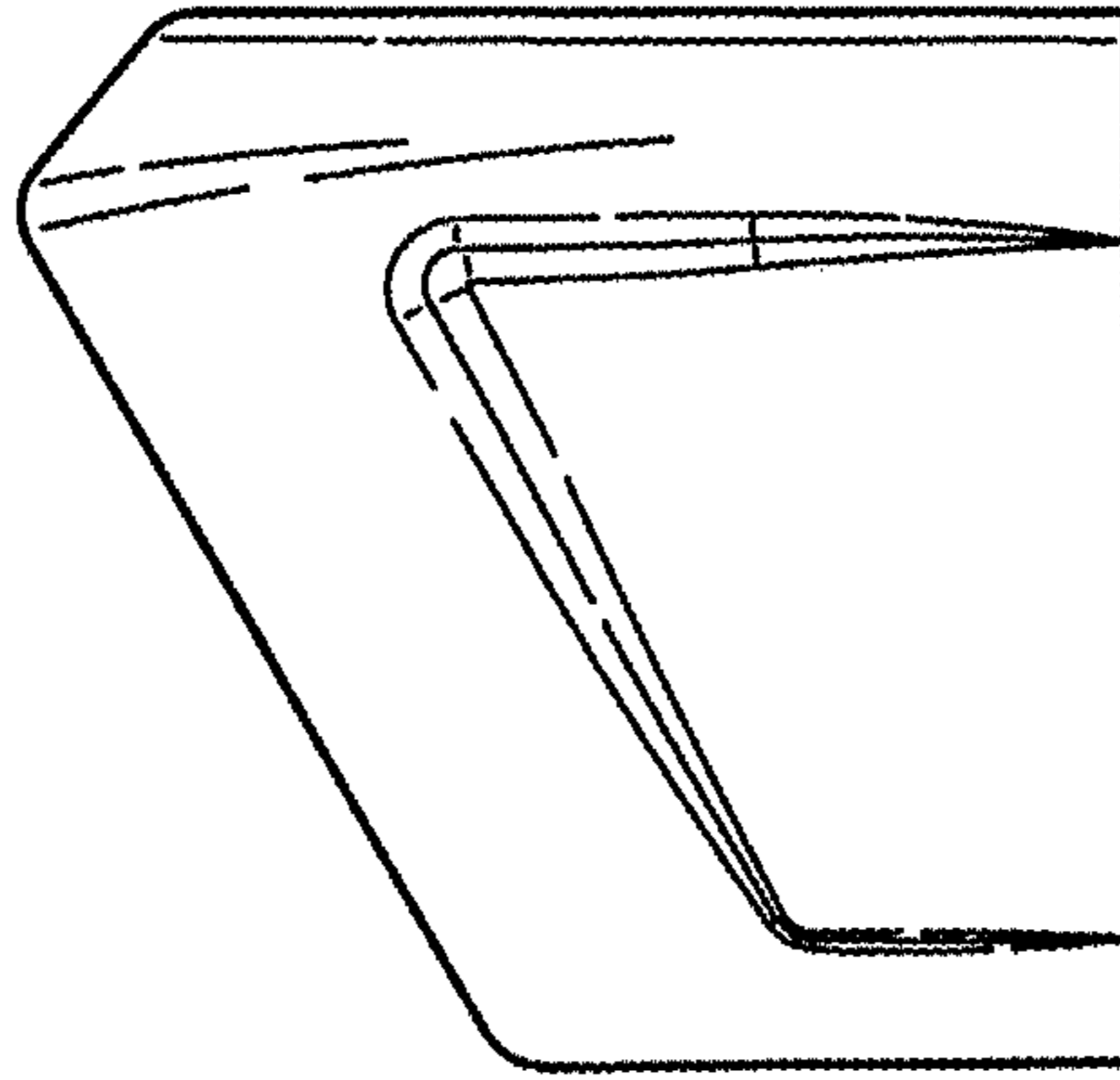


FIG. 6

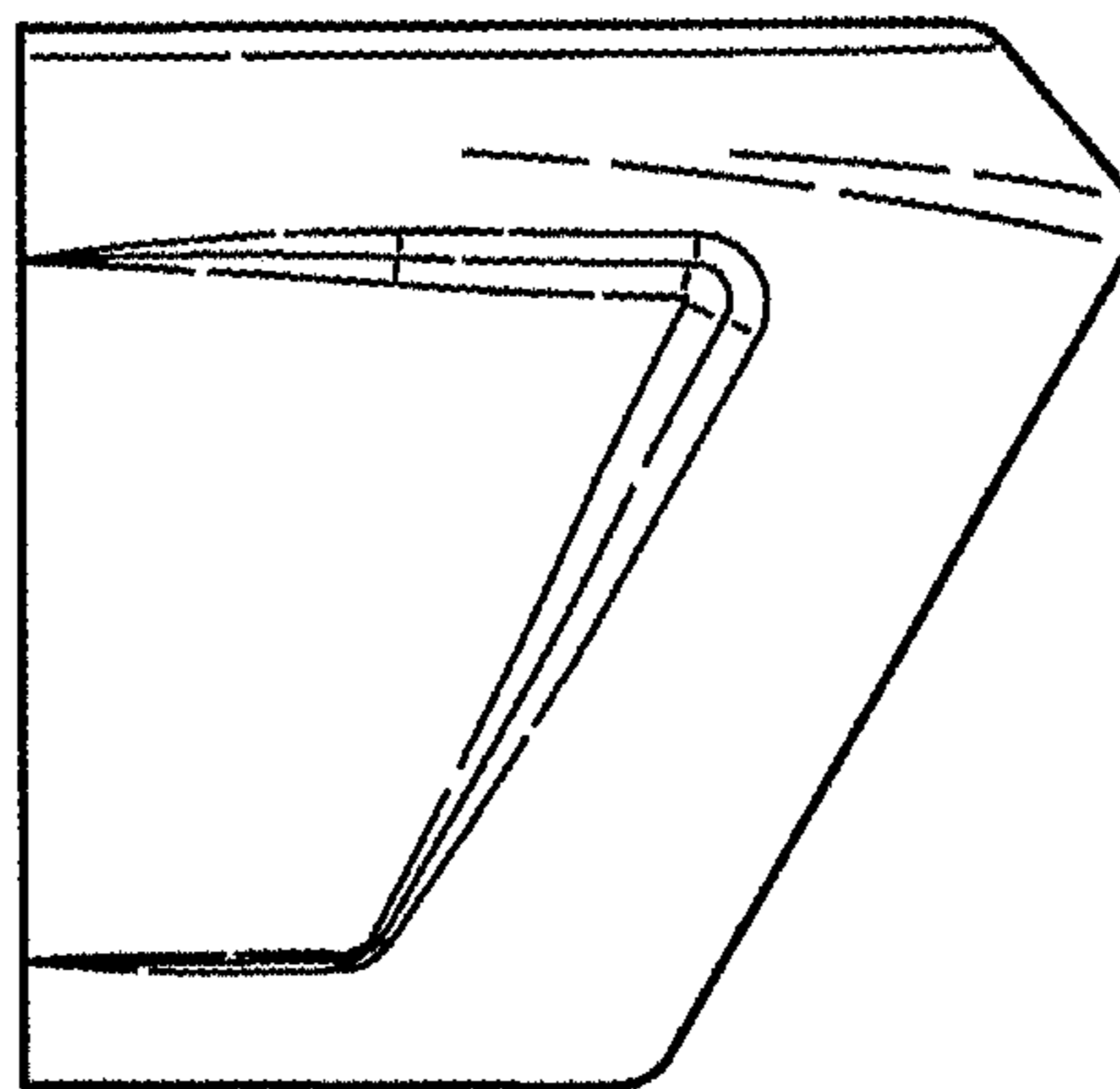


FIG. 7